



US00D459651S

(12) **United States Design Patent**  
**Gagnon**

(10) **Patent No.:** **US D459,651 S**

(45) **Date of Patent:** **\*\* Jul. 2, 2002**

(54) **BOTTLE**

(75) **Inventor:** **Mario Gagnon, Ville-Mont-Royal (CA)**

(73) **Assignee:** **Itochu Canada Ltee, Montreal (CA)**

(\*\*) **Term:** **14 Years**

(21) **Appl. No.:** **29/144,113**

(22) **Filed:** **Jun. 27, 2001**

(51) **LOC (7) Cl. .... 09-01**

(52) **U.S. Cl. .... D9/300; D9/517; D9/560**

(58) **Field of Search .... D9/300, 448-500,  
D9/517, 560-561, 572; 206/449, 504; 215/10,  
371, 384; 222/153.1, 182-183, 320, 321.1-321.9,  
382, 383.1, 384, 531-534, 556**

(56) **References Cited**

**U.S. PATENT DOCUMENTS**

D222,823 S \* 1/1972 Newman ..... D9/300  
3,933,268 A \* 1/1976 Buske ..... 215/10

4,708,253 A \* 11/1987 Mednis ..... 215/10  
D321,930 S \* 11/1991 Binand ..... D9/561  
D357,625 S \* 4/1995 Pascolini ..... D9/300

\* cited by examiner

*Primary Examiner*—Nanda Bondade

(74) *Attorney, Agent, or Firm*—Robic

(57) **CLAIM**

The ornamental design for a bottle, as shown and described.

**DESCRIPTION**

FIG. 1 is an exploded perspective view of a bottle showing my new design;

FIG. 2 is a perspective view thereof in a closed position;

FIG. 3 is a right side elevational view thereof;

FIG. 4 is a left side elevational view thereof;

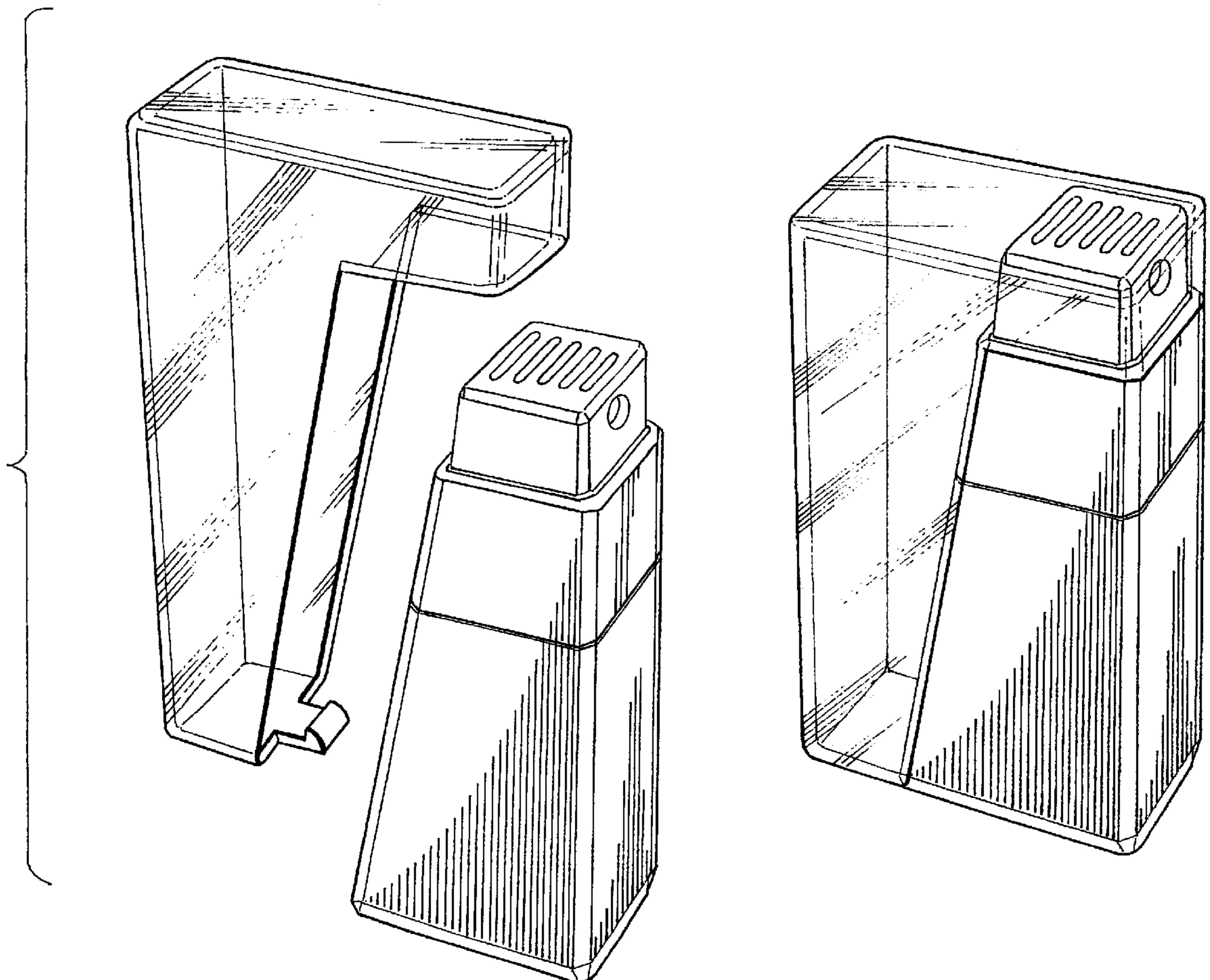
FIG. 5 is a front elevational view thereof;

FIG. 6 is a rear elevational thereof;

FIG. 7 is a top plan view thereof; and,

FIG. 8 is a bottom plan view thereof.

**1 Claim, 6 Drawing Sheets**



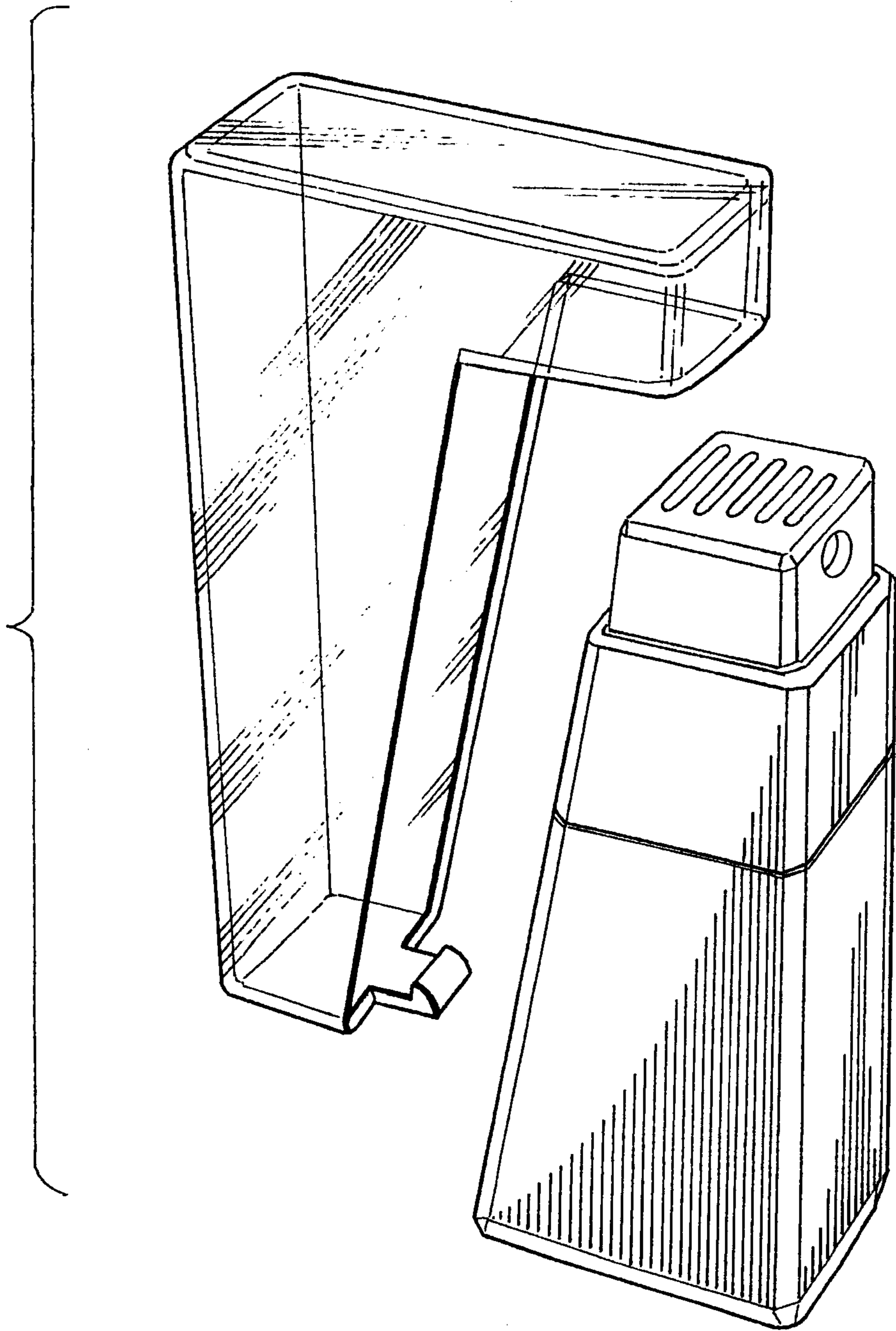


FIG. 1

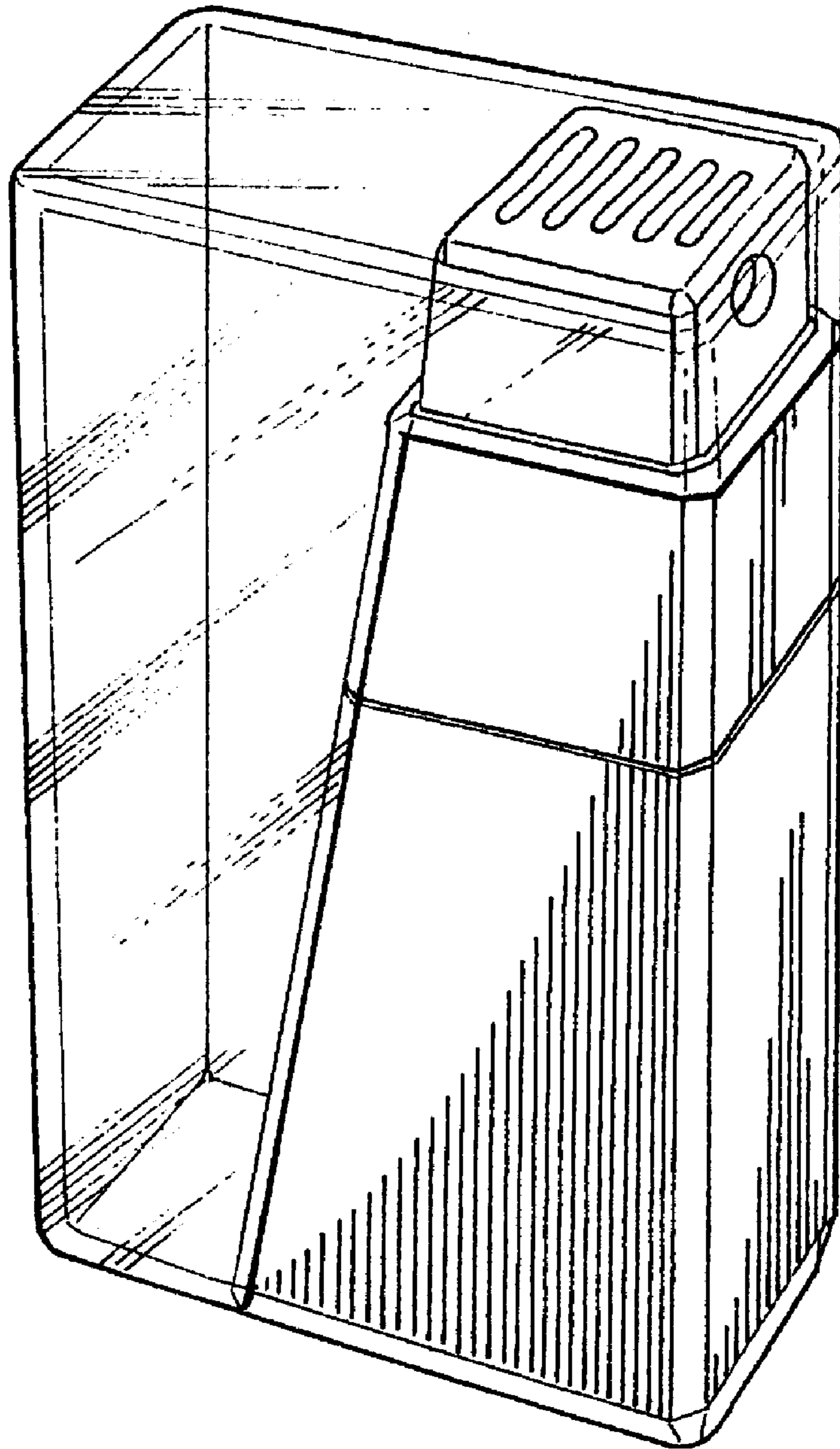


FIG. 2

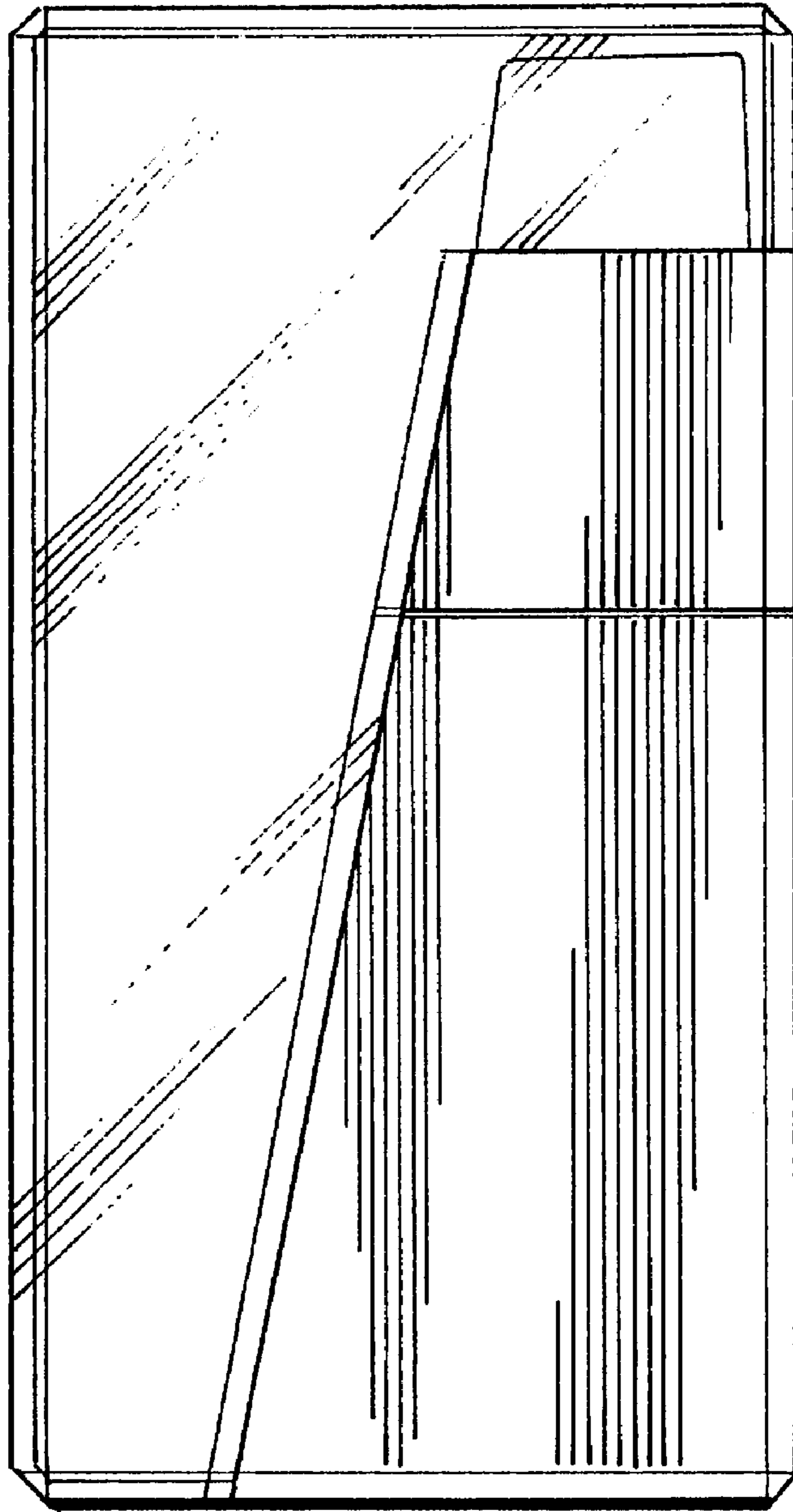


FIG. 3

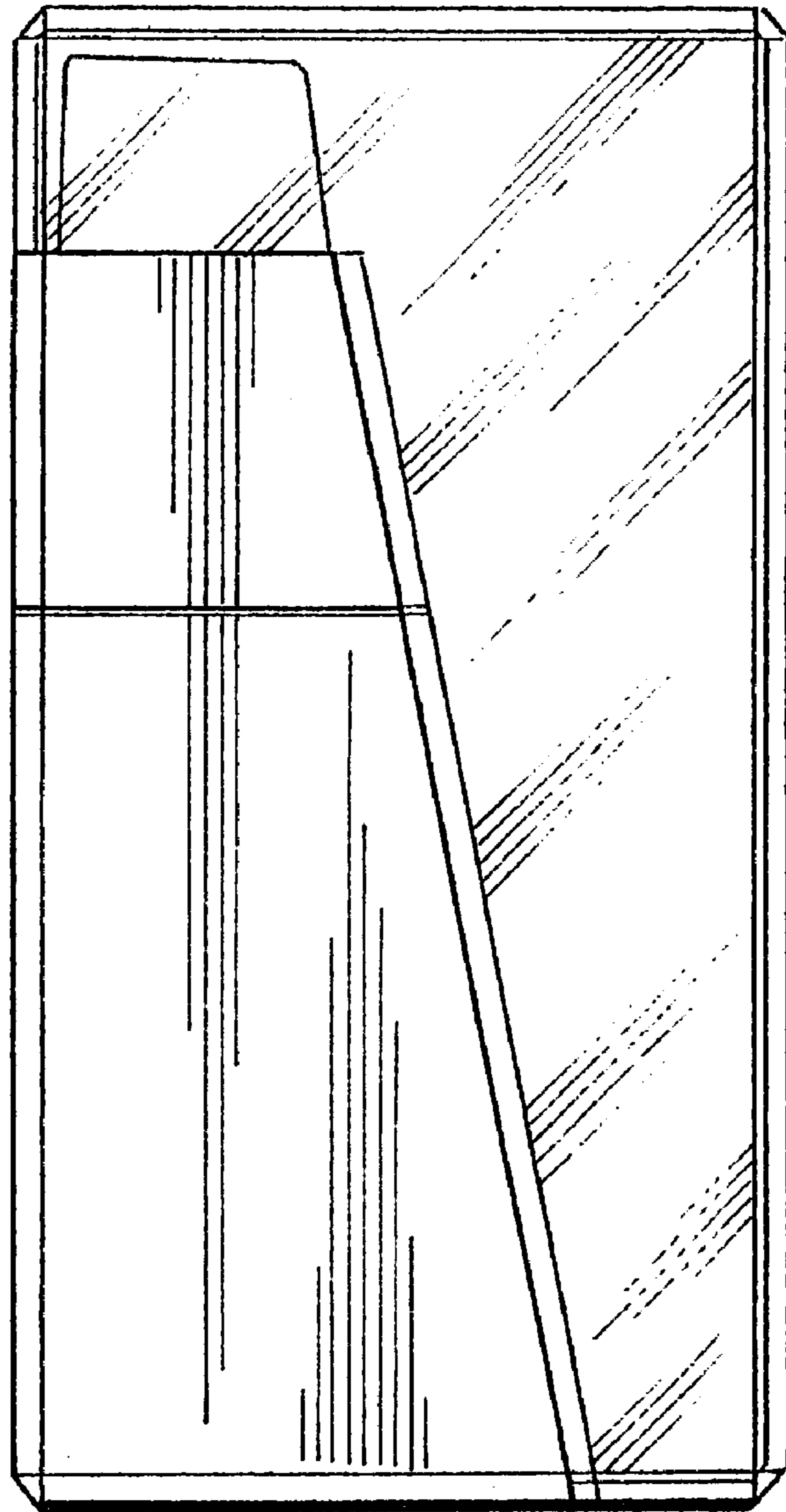


FIG. 4

FIG. 6

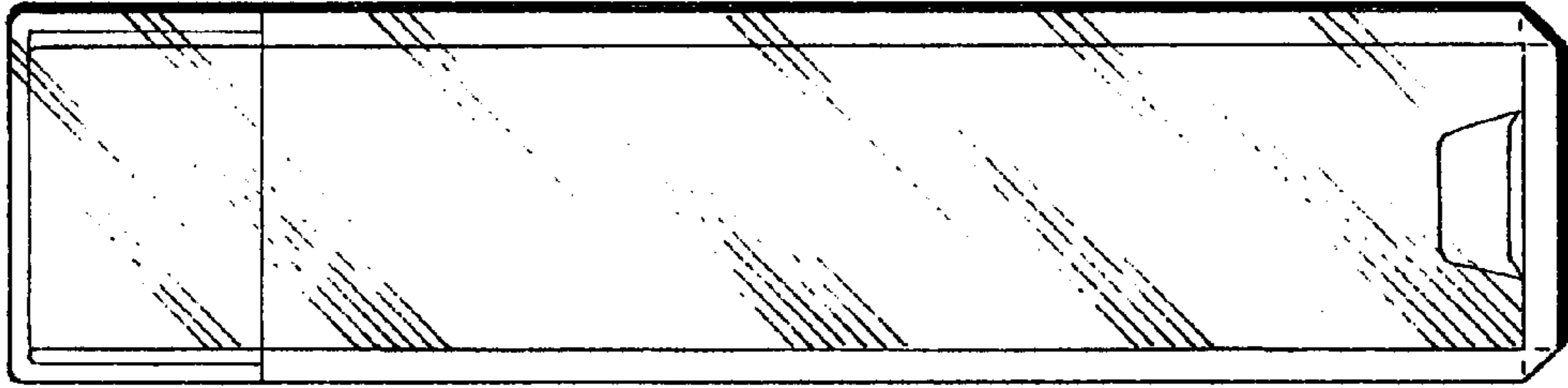
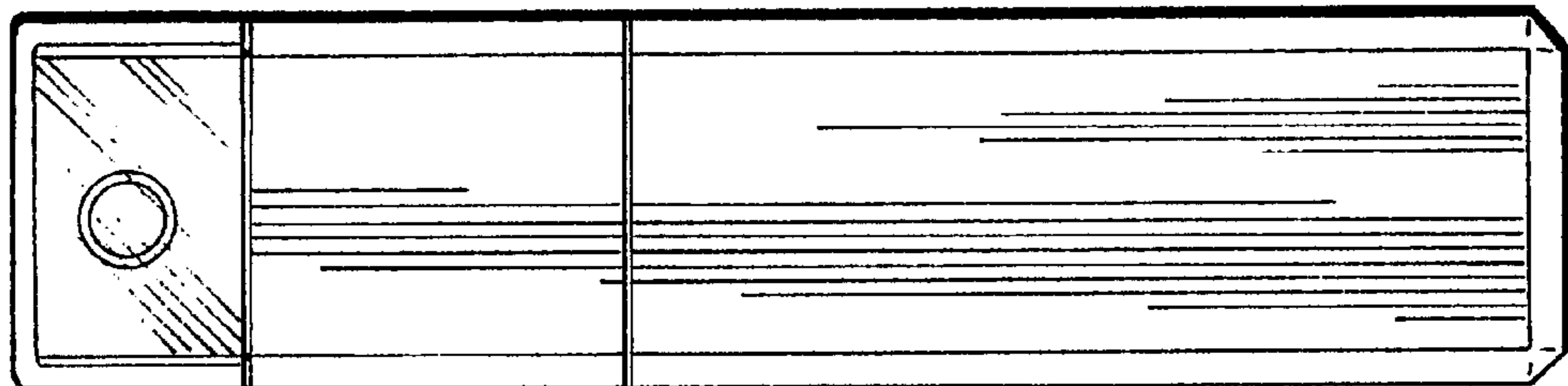


FIG. 5



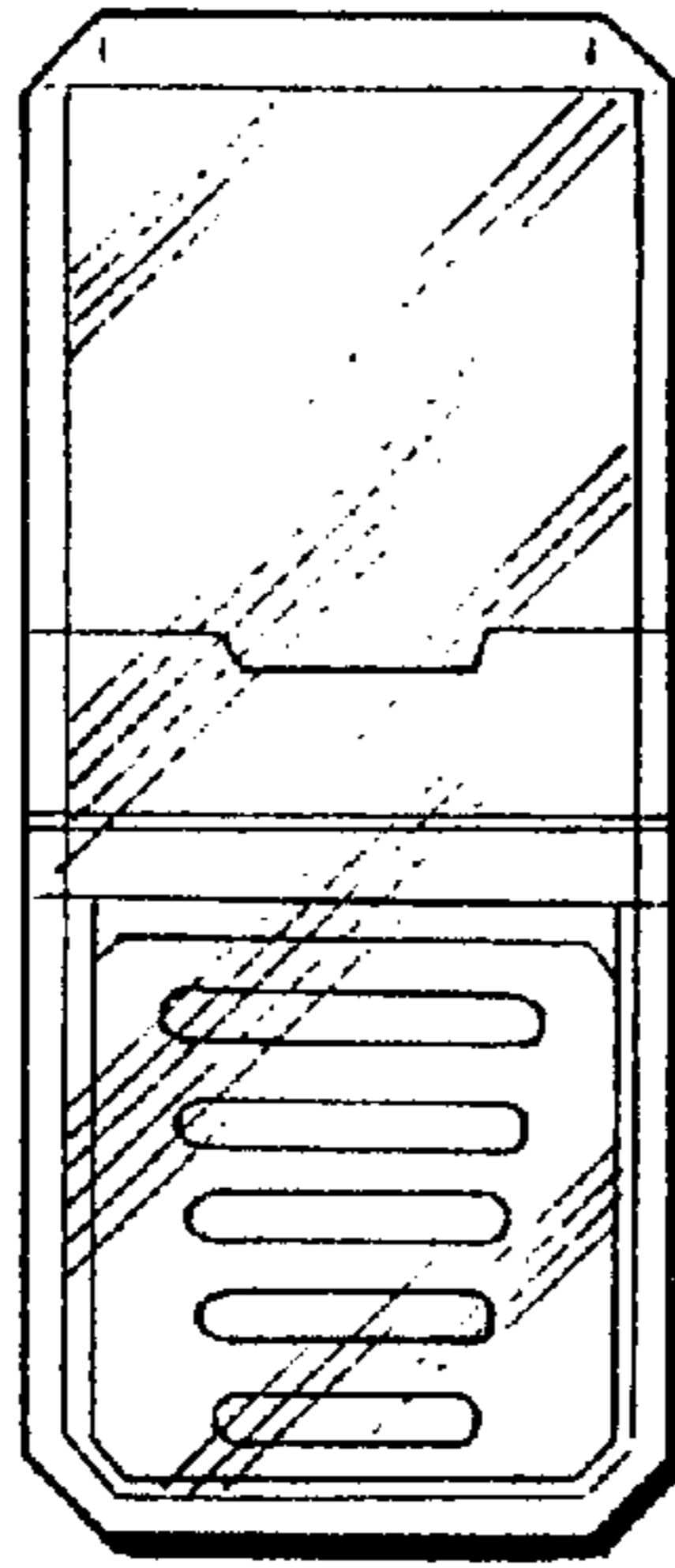


FIG. 7

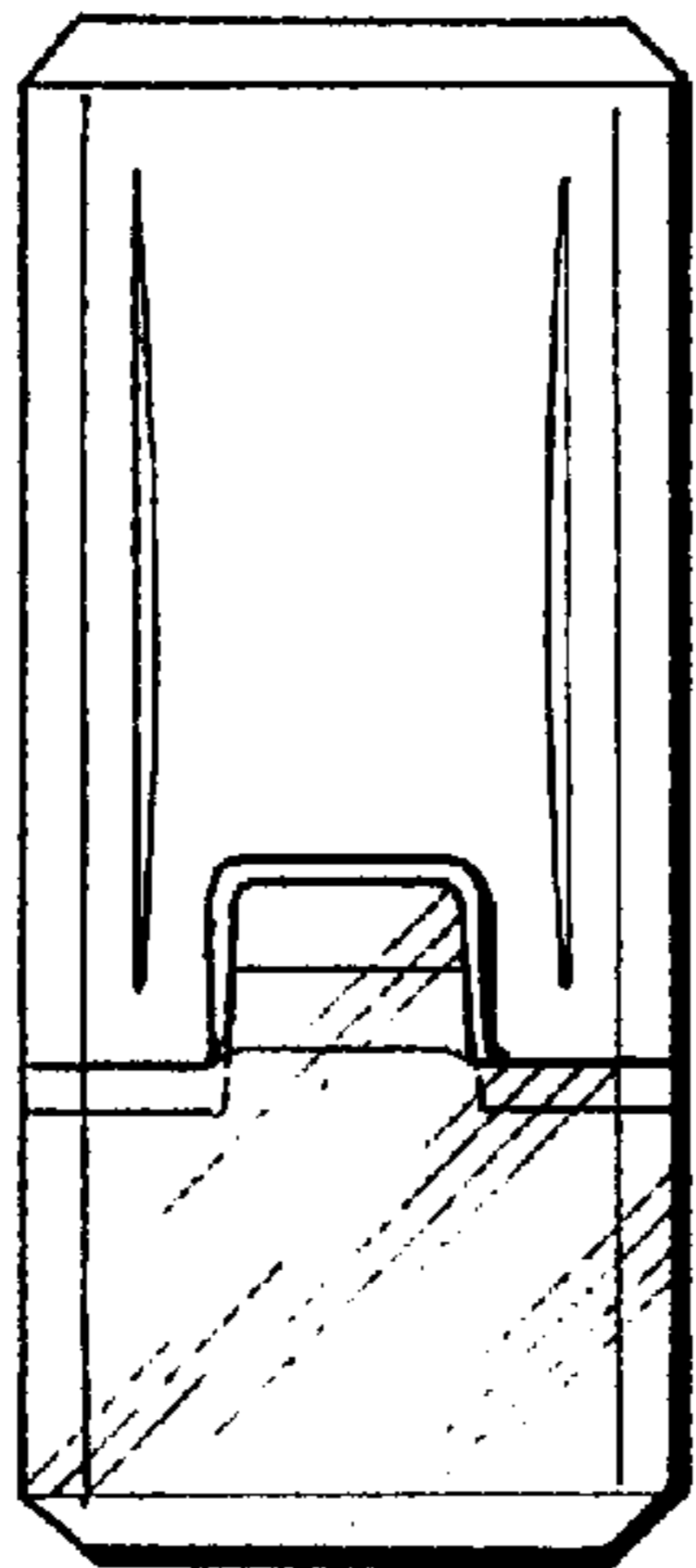


FIG. 8