



US00D459648S

(12) **United States Design Patent**  
**Leonardi, Sr.**

(10) **Patent No.: US D459,648 S**  
(45) **Date of Patent: \*\* Jul. 2, 2002**

(54) **CONTAINER FOR DISPENSING STRING**

(75) **Inventor: Ezio Leonardi, Sr., Weedsport, NY (US)**

(73) **Assignee: Quick Industries, Inc., Weedsport, NY (US)**

(\*\*) **Term: 14 Years**

(21) **Appl. No.: 29/148,347**

(22) **Filed: Sep. 18, 2001**

**Related U.S. Application Data**

(63) **Continuation-in-part of application No. 29/127,483, filed on Aug. 7, 2000, now Pat. No. Des. 450,563.**

(51) **LOC (7) Cl. .... 08-05**

(52) **U.S. Cl. .... D8/356**

(58) **Field of Search .... D8/349, 354, 355, D8/356, 358, 360.1; D9/549; D28/66; 206/388; 220/4.04, 588, 904; 221/45; 242/129.5, 129.8, 137, 138, 141, 146, 405, 405.3, 407, 388; 439/501; 211/86.01**

(56) **References Cited**

**U.S. PATENT DOCUMENTS**

- 667,820 A \* 2/1901 Esch ..... 242/146
- 848,491 A \* 3/1907 Phillips ..... 242/129.4
- 1,204,680 A \* 11/1916 Meyers ..... 242/138
- 1,256,443 A \* 2/1918 Demmien ..... 242/137
- 1,522,973 A \* 1/1925 Ockfen ..... 242/146
- 1,809,029 A \* 6/1931 Fulcher ..... 242/141

- 1,832,395 A \* 11/1931 Hoos ..... 242/146
- 1,974,862 A \* 9/1934 Cryan ..... 242/146
- 2,580,878 A \* 1/1952 Bartlett ..... 242/146
- 3,120,917 A \* 2/1964 Smith ..... 220/4.04
- 3,308,937 A \* 3/1967 Rosen ..... 242/138
- 3,811,639 A \* 5/1974 Jordan ..... 242/129.8
- D286,370 S \* 10/1986 Wirts et al. .... D8/356
- 4,984,685 A \* 1/1991 Douglas ..... 439/501
- 5,421,457 A \* 6/1995 Listenberger ..... 206/388
- 5,695,986 A \* 12/1997 Wold et al. .... 220/4.04
- 5,848,701 A \* 12/1998 Riccabona ..... 439/501

\* cited by examiner

*Primary Examiner*—Doris V. Coles

*Assistant Examiner*—Elizabeth A. Albert

(74) *Attorney, Agent, or Firm*—George R. McGuire; Hancock & Estabrook, LLP

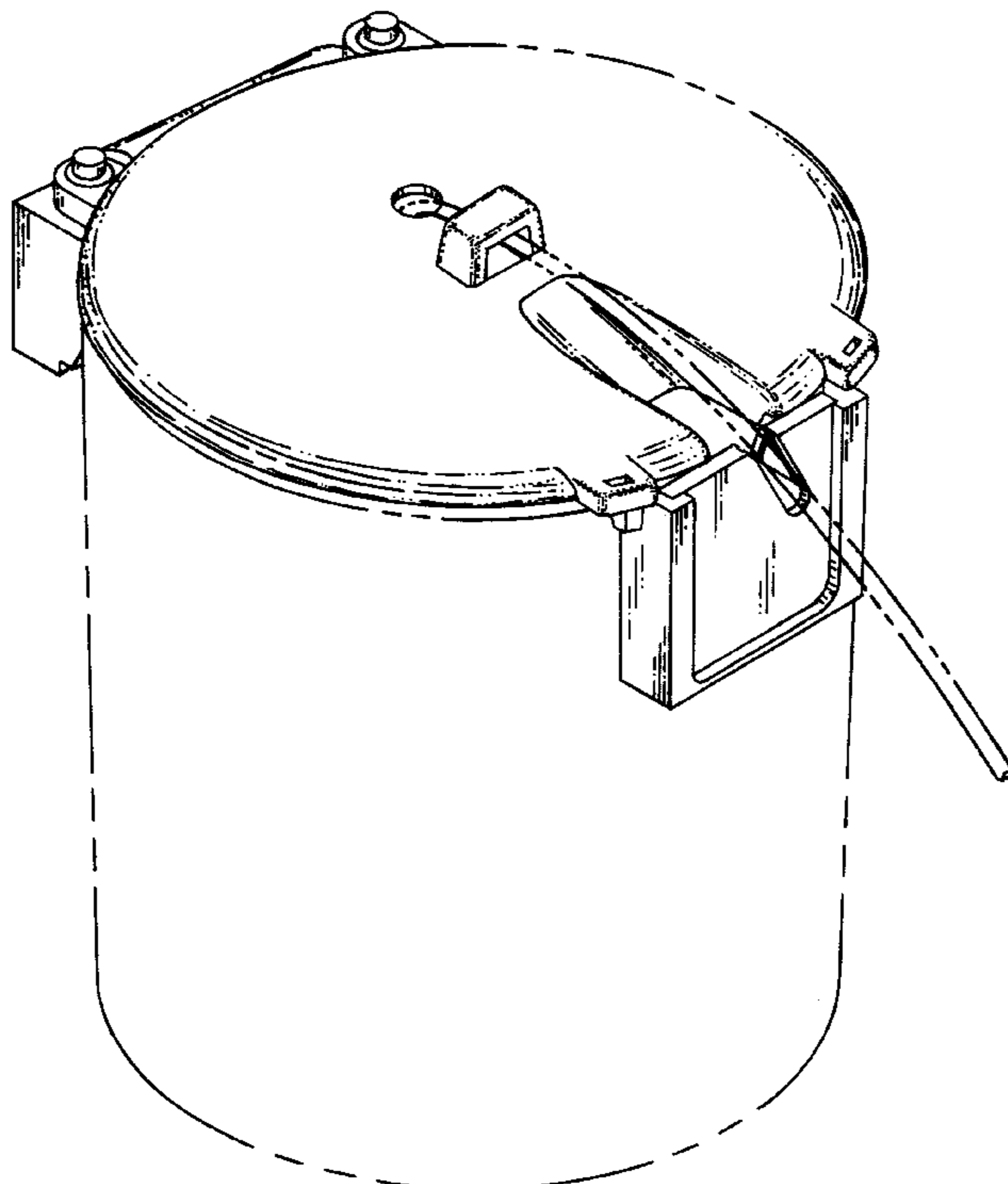
(57) **CLAIM**

The ornamental design for a container for dispensing string, as shown and described.

**DESCRIPTION**

FIG. 1 is an enlarged perspective view of a container for dispensing string showing my new design;  
 FIG. 2 is a top plan view thereof;  
 FIG. 3 is a side elevational view thereof, the other side being a mirror image;  
 FIG. 4 is a bottom plan view thereof;  
 FIG. 5 is a front elevational view thereof; and,  
 FIG. 6 is a rear elevational view thereof.  
 The string shown in FIG. 1 in broken lines is for illustrative purposes only and forms no part of the claimed design.

**1 Claim, 3 Drawing Sheets**



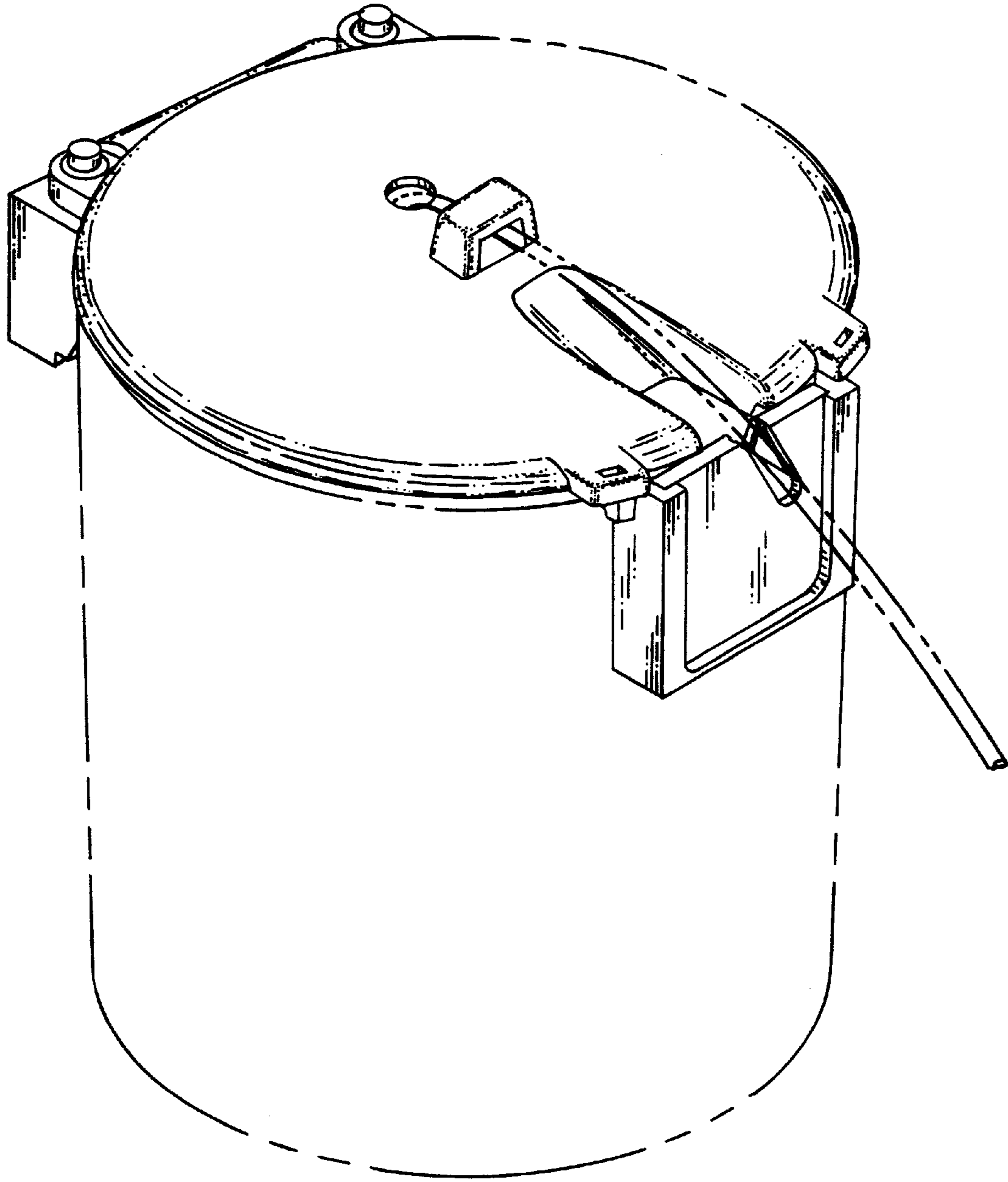


FIG. 1

FIG. 2

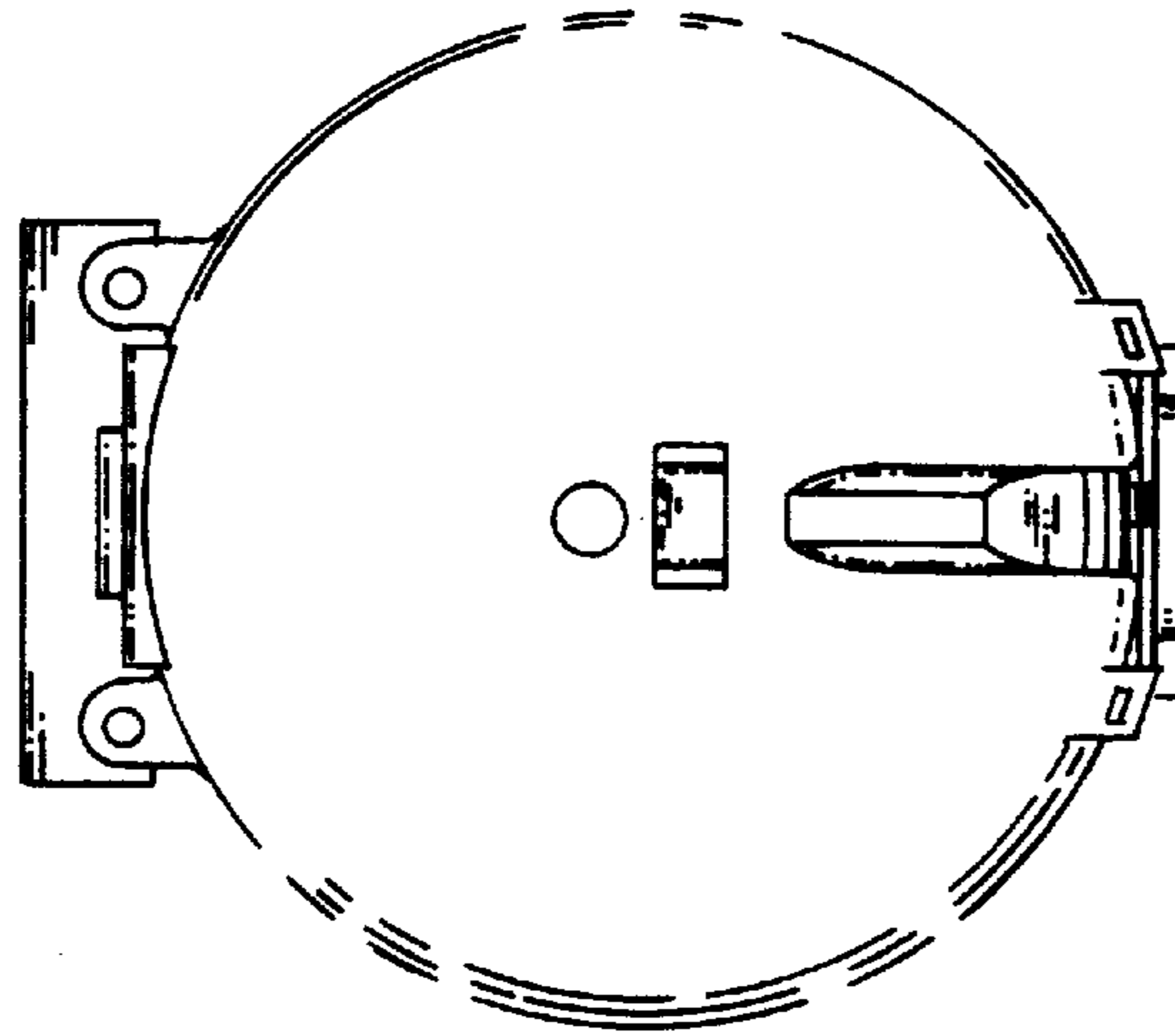


FIG. 3

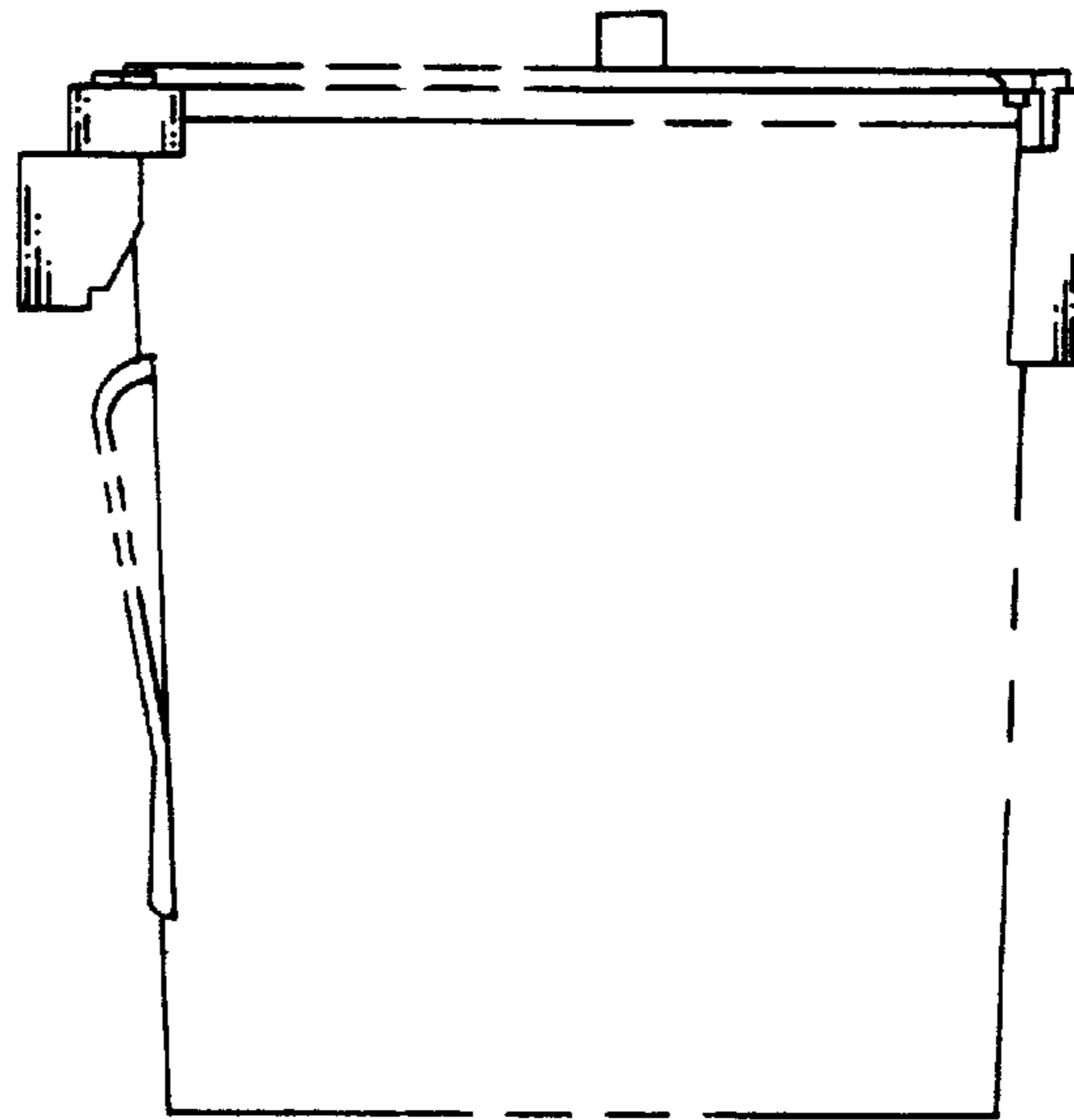
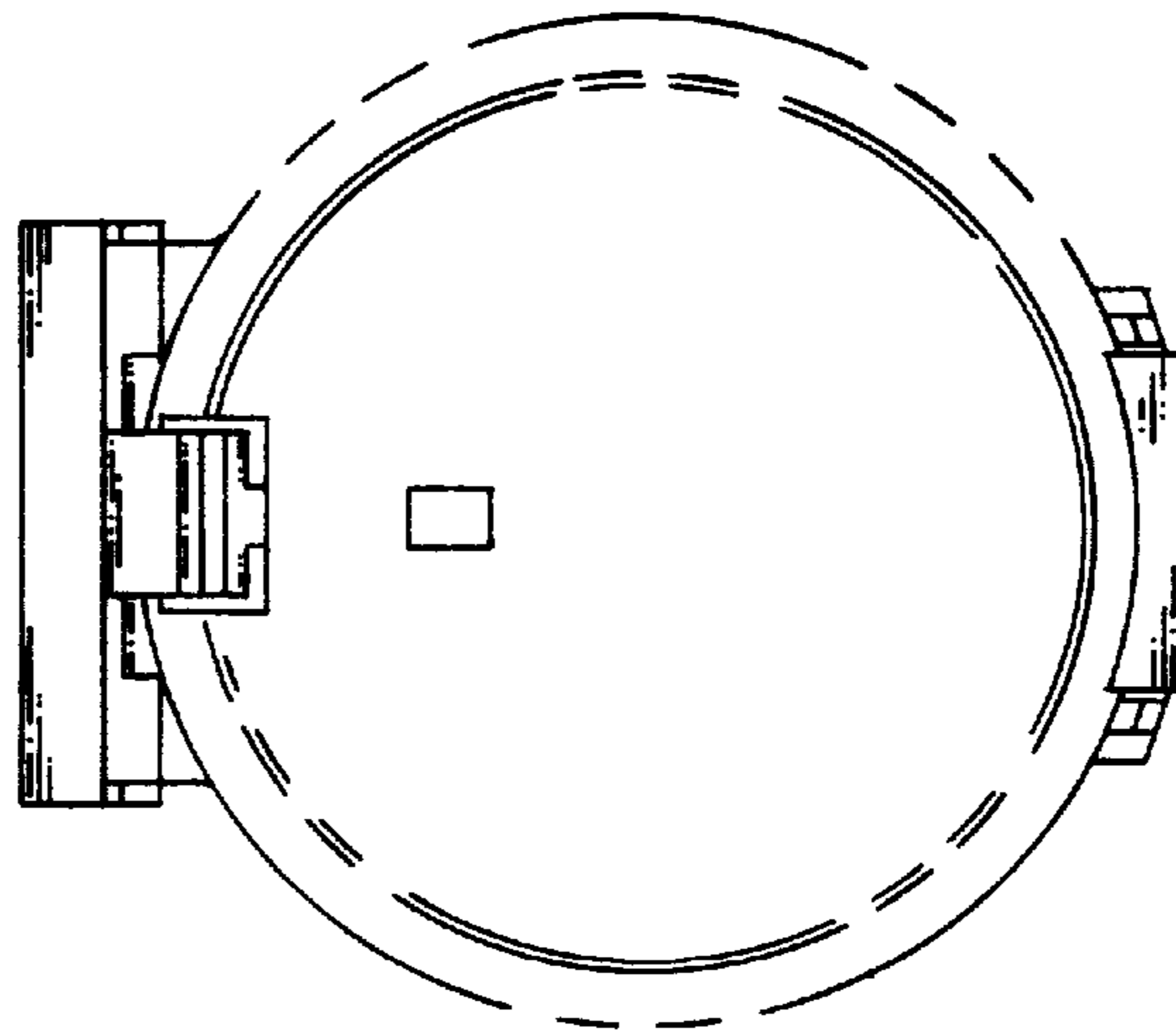


FIG. 4



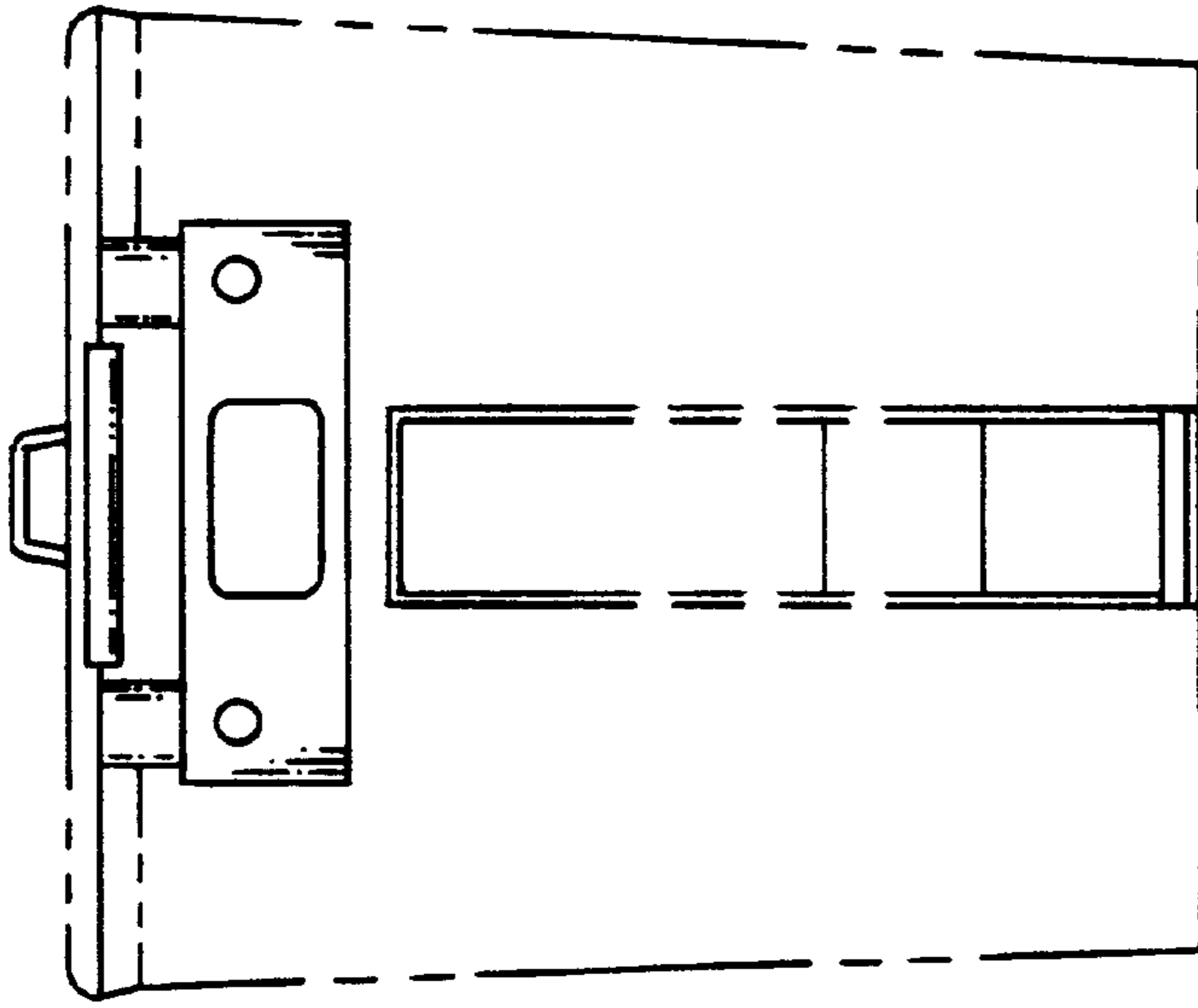


FIG. 5

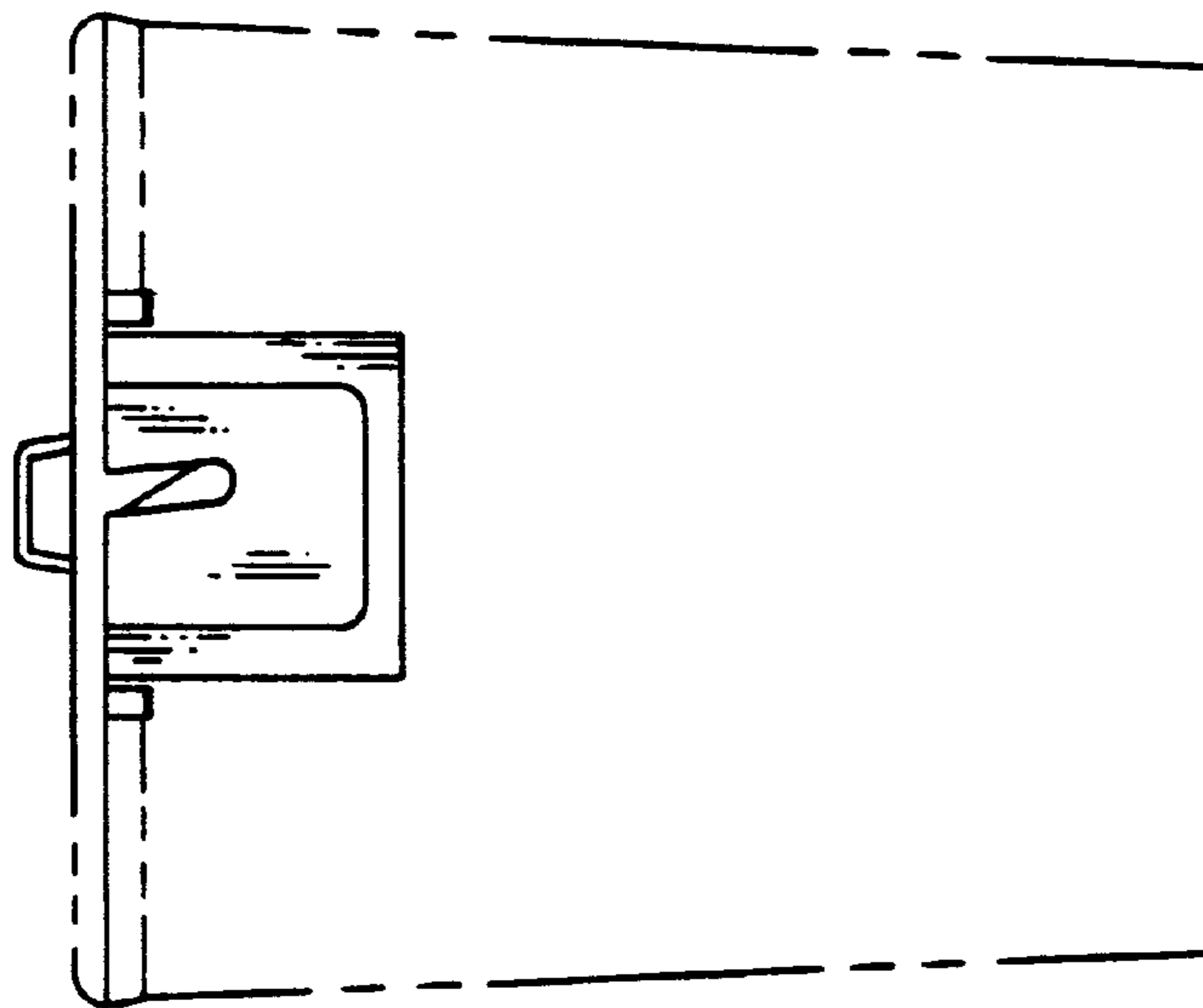


FIG. 6