



US00D459642S

(12) **United States Design Patent**
Haquin

(10) **Patent No.:** **US D459,642 S**

(45) **Date of Patent:** **** Jul. 2, 2002**

(54) **SCISSORS HANDLE RINGS**

(75) **Inventor:** **Jean-Claude Haquin**, Is-en-Bassigny (FR)

(73) **Assignee:** **J. C. H. International**, Is-en-Bassigny (FR)

(**) **Term:** **14 Years**

(21) **Appl. No.:** **29/142,471**

(22) **Filed:** **May 25, 2001**

(30) **Foreign Application Priority Data**

Nov. 27, 2000 (FR) 00 7138

(51) **LOC (7) Cl.** **08-03**

(52) **U.S. Cl.** **D8/57; D8/107**

(58) **Field of Search** D8/5, 57; D24/148;
606/174; 30/120, 145, 194, 201, 229, 230,
248, 257, 261, 262, 266, 268, 232, 233;
7/135

(56) **References Cited**

U.S. PATENT DOCUMENTS

29,250 A * 7/1860 DeCoursey

116,432 A * 6/1871 Gladwin
D137,344 S * 2/1944 Schlesinger
D137,345 S * 2/1944 Schlesinger
D296,295 S * 6/1988 Cain D8/57
5,007,170 A * 4/1991 Mayama 30/232
D368,418 S * 4/1996 Aida D8/57

* cited by examiner

Primary Examiner—Alan P. Douglas

Assistant Examiner—Clare E. Heflin

(74) *Attorney, Agent, or Firm*—Gary M. Cohen

(57) **CLAIM**

The ornamental design for scissors handle rings, as shown and described.

DESCRIPTION

FIG. 1 is an isometric view of the scissors handle rings of my new design;

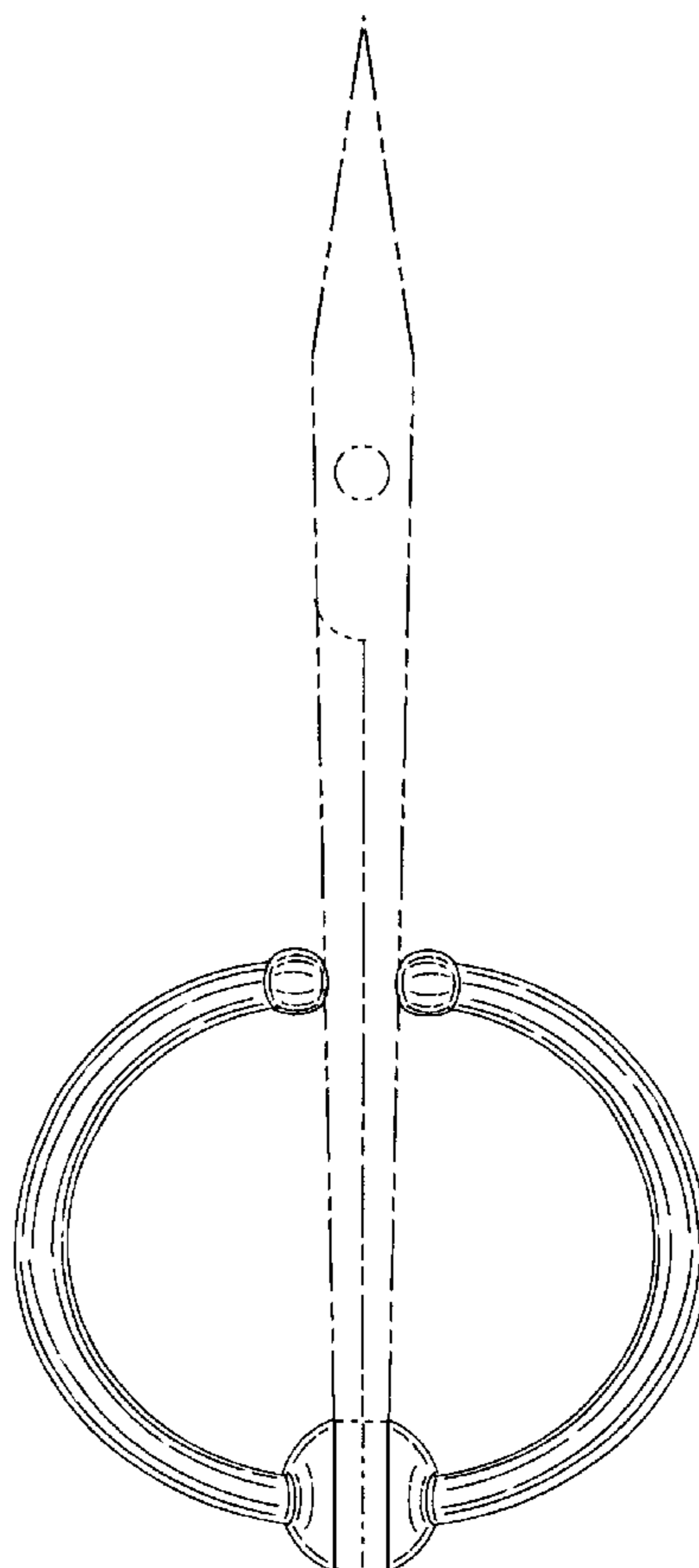
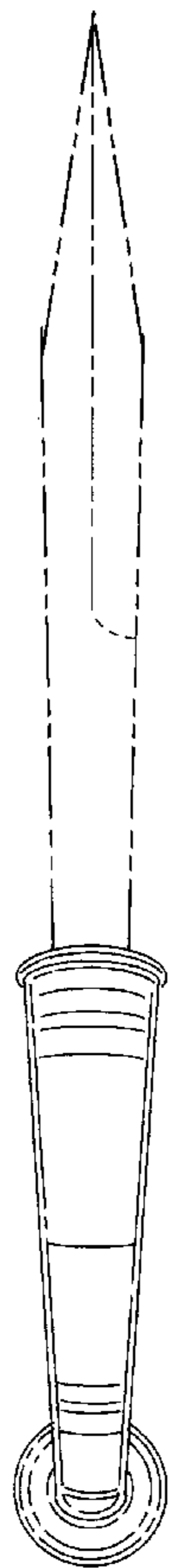
FIG. 2 is a side view thereof;

FIG. 3 is a top view thereof; and,

FIGS. 4 and 5 are opposing end views thereof.

The broken lines shown on the drawings are for illustrative purposes only and form no part of the claimed design.

1 Claim, 3 Drawing Sheets



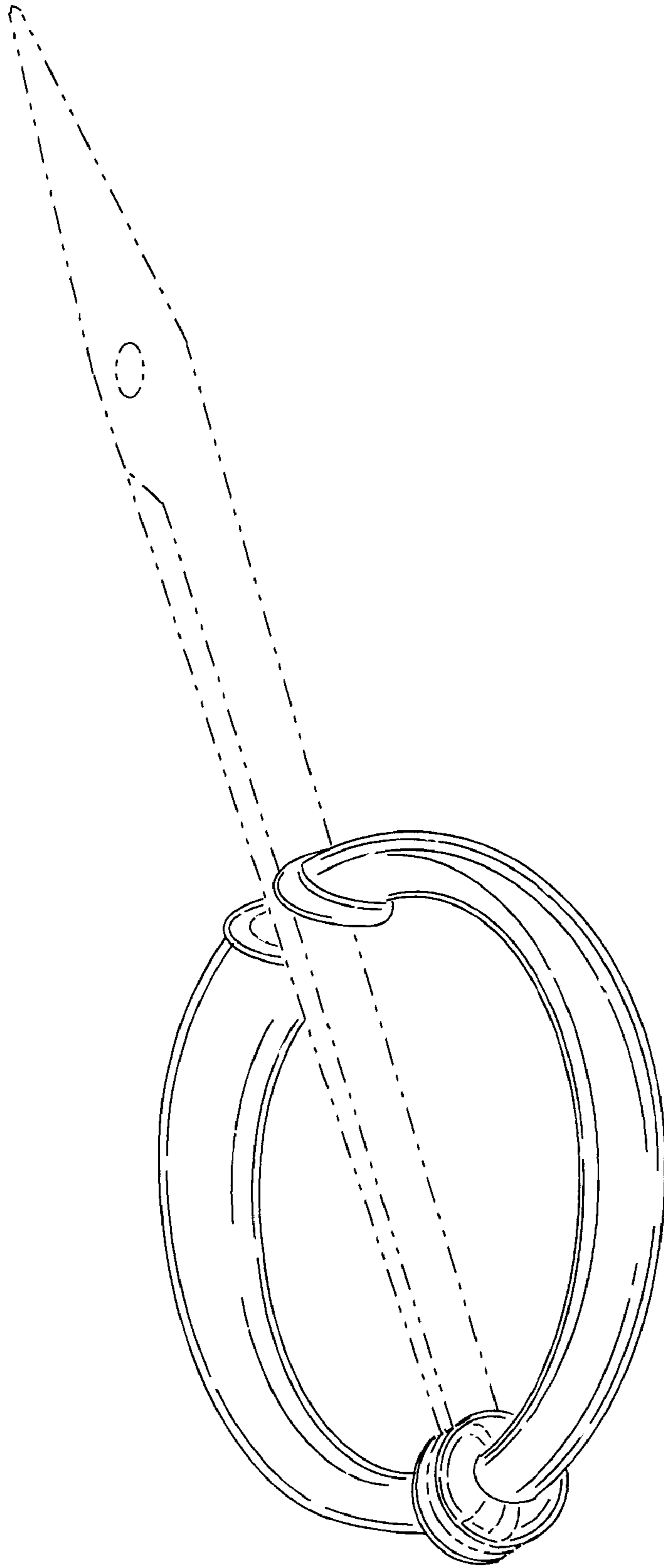


FIG. 1

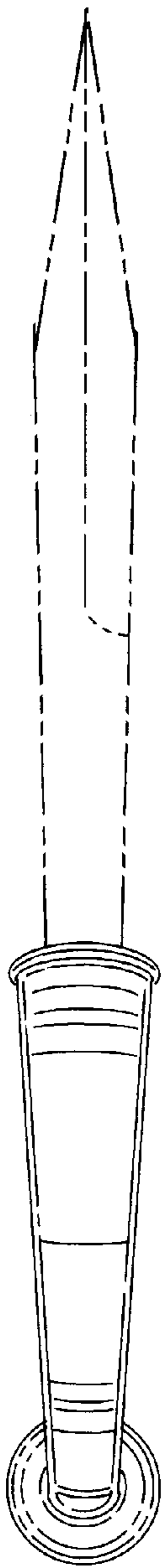


FIG. 2

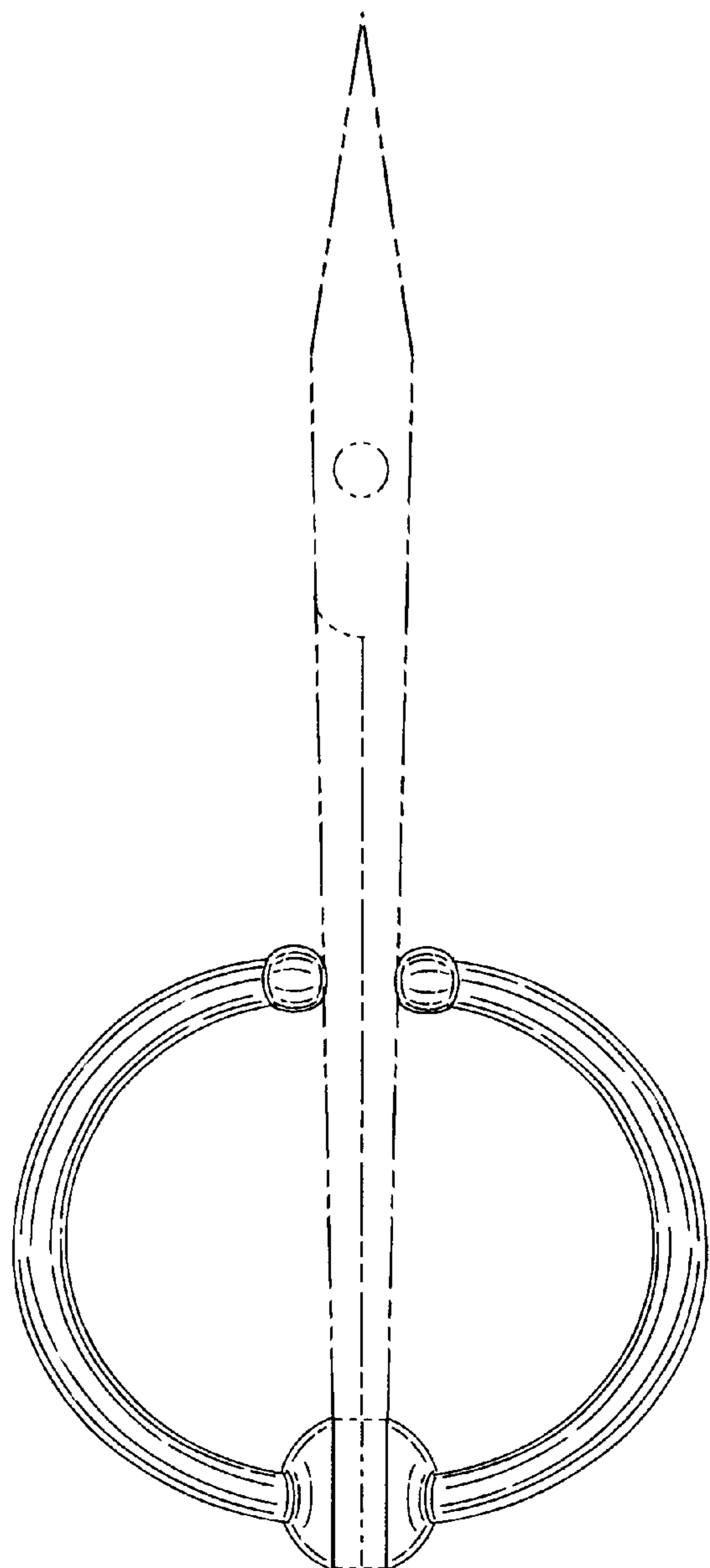


FIG. 3

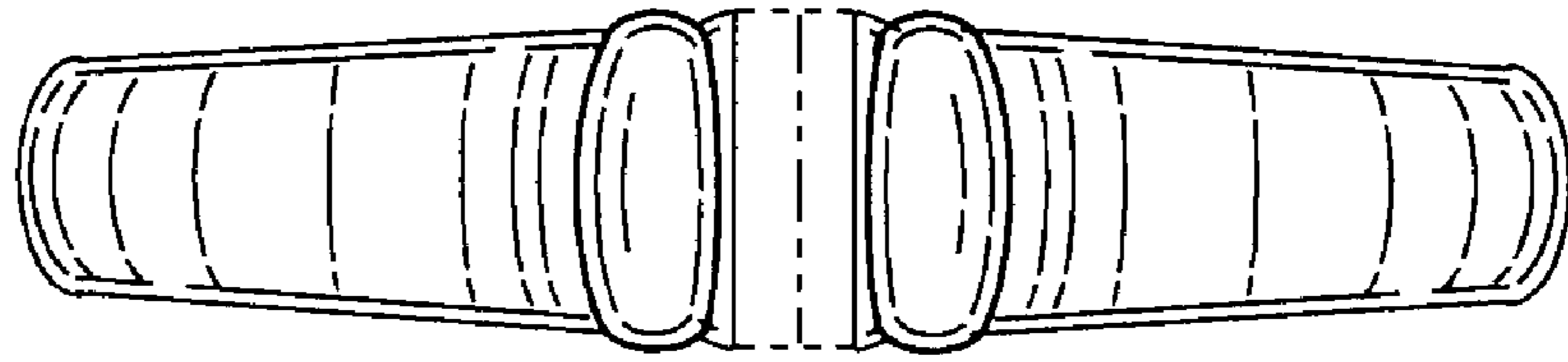


FIG. 4

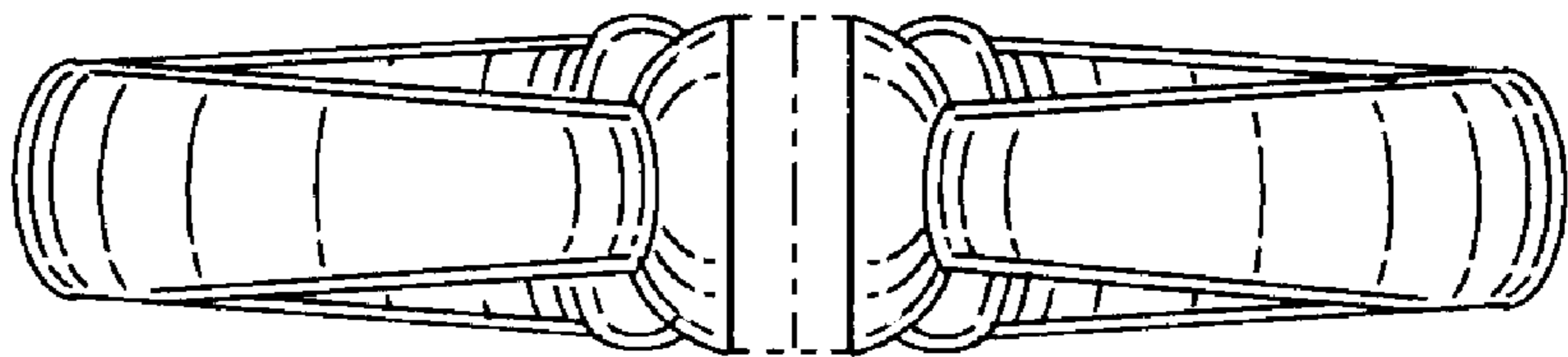


FIG. 5