



US00D459630S

(12) **United States Design Patent**
Arduini

(10) **Patent No.:** **US D459,630 S**

(45) **Date of Patent:** **** Jul. 2, 2002**

- (54) **LID**
- (75) Inventor: **Giovanni Arduini, Milan (IT)**
- (73) Assignee: **Click Clack Limited (NZ)**
- (**) Term: **14 Years**
- (21) Appl. No.: **29/142,275**
- (22) Filed: **May 21, 2001**
- (30) **Foreign Application Priority Data**
Feb. 21, 2001 (NZ) 401491
- (51) **LOC (7) Cl.** **07-01**
- (52) **U.S. Cl.** **D7/391**
- (58) **Field of Search** D7/391, 392.1,
D7/392, 612-615, 629, 538-542; D9/434,
435, 454; 220/200, 210, 212.5, 230, 231,
780-795, 796-806

2,913,140 A * 11/1959 Vuilleminot 220/212.5 X
 D276,118 S * 10/1984 Conti et al. D7/392.1
 D328,835 S * 8/1992 Schneider D7/391

* cited by examiner

Primary Examiner—Terry A. Wallace
 (74) *Attorney, Agent, or Firm*—Blakely Sokoloff Taylor &
 Zafman

(57) **CLAIM**

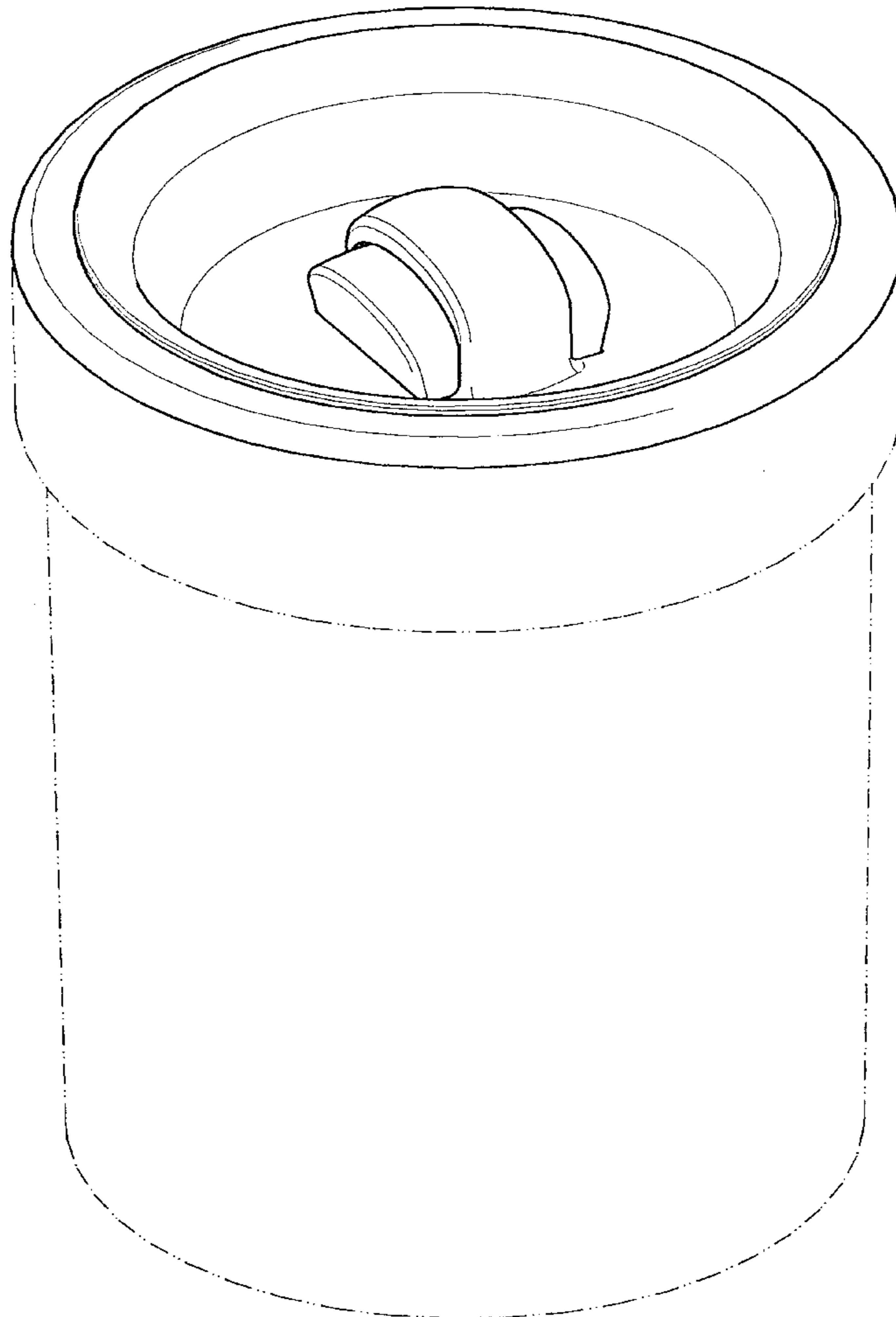
The ornamental design for a lid, as shown and described.

DESCRIPTION

FIG. 1 is a perspective view of the lid showing my new design;
 FIG. 2 is a plan view thereof from the top of FIG. 1;
 FIG. 3 is a further perspective view corresponding to that of FIG. 1; and,
 FIG. 4 is a side elevation view.
 The broken lines shown in the Figures are for illustrative purposes only and form no part of the claimed design.

- (56) **References Cited**
U.S. PATENT DOCUMENTS
D122,041 S * 8/1940 Baer D9/503

1 Claim, 4 Drawing Sheets



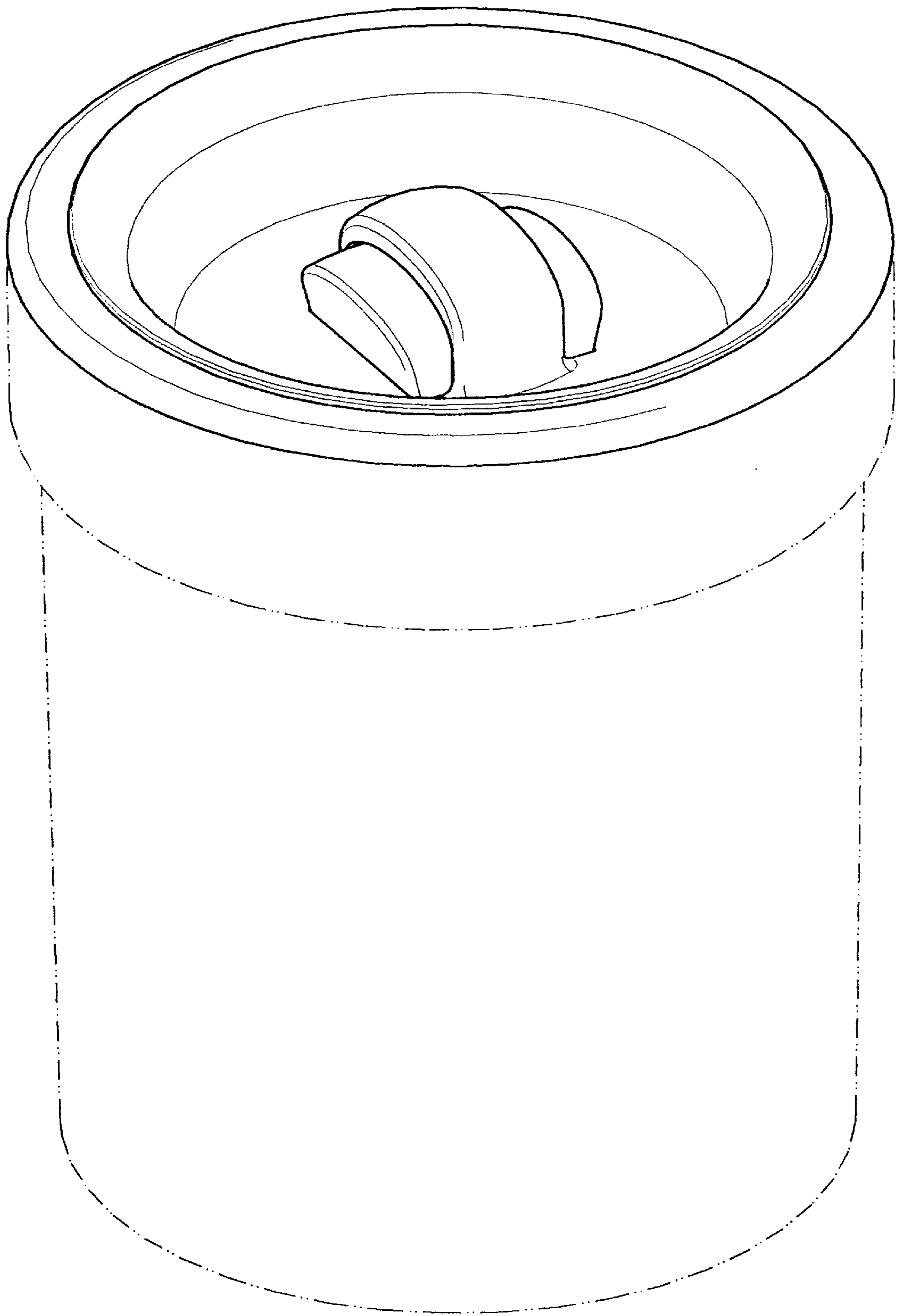


FIG. 1.

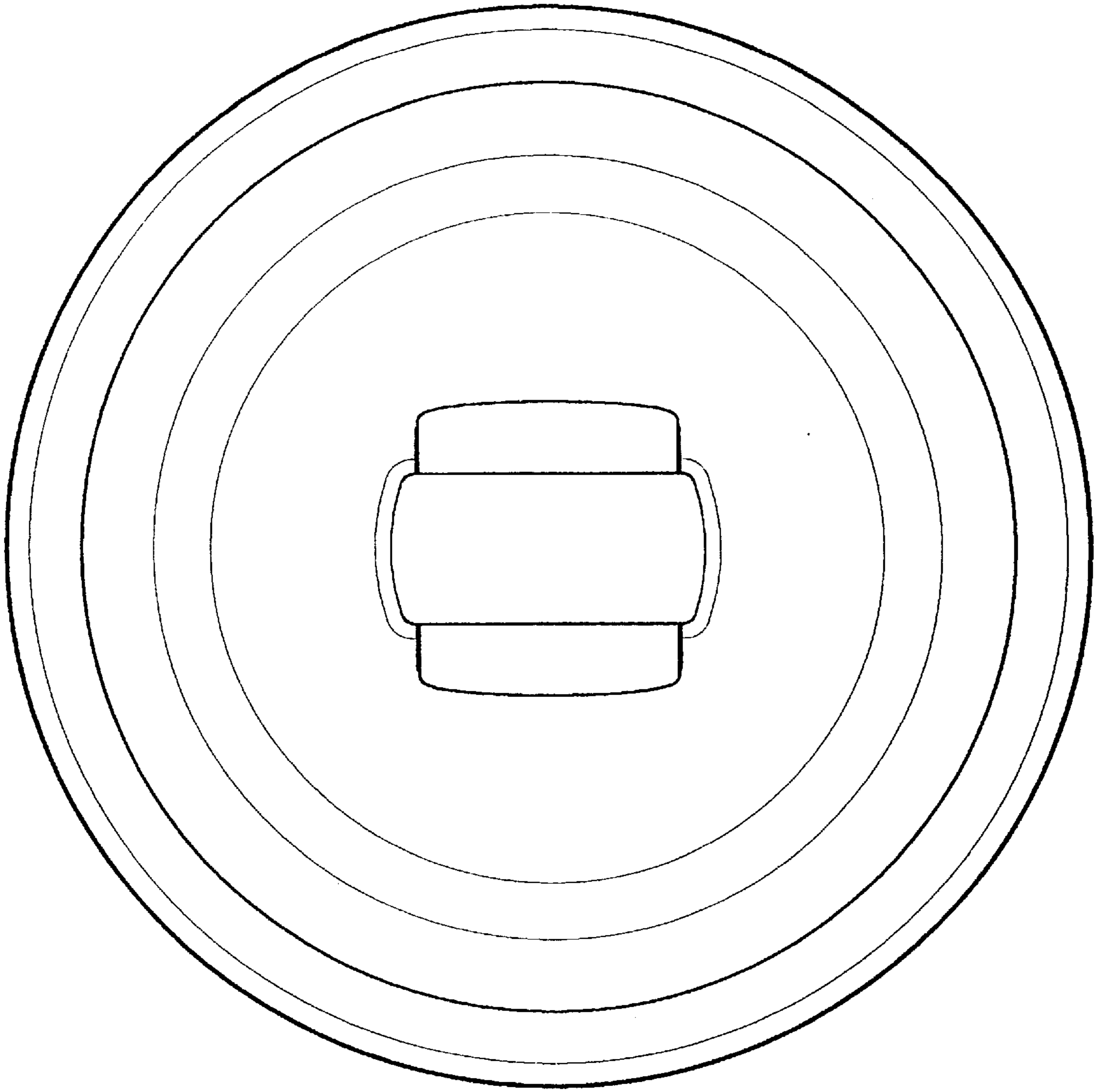


FIG. 2 .

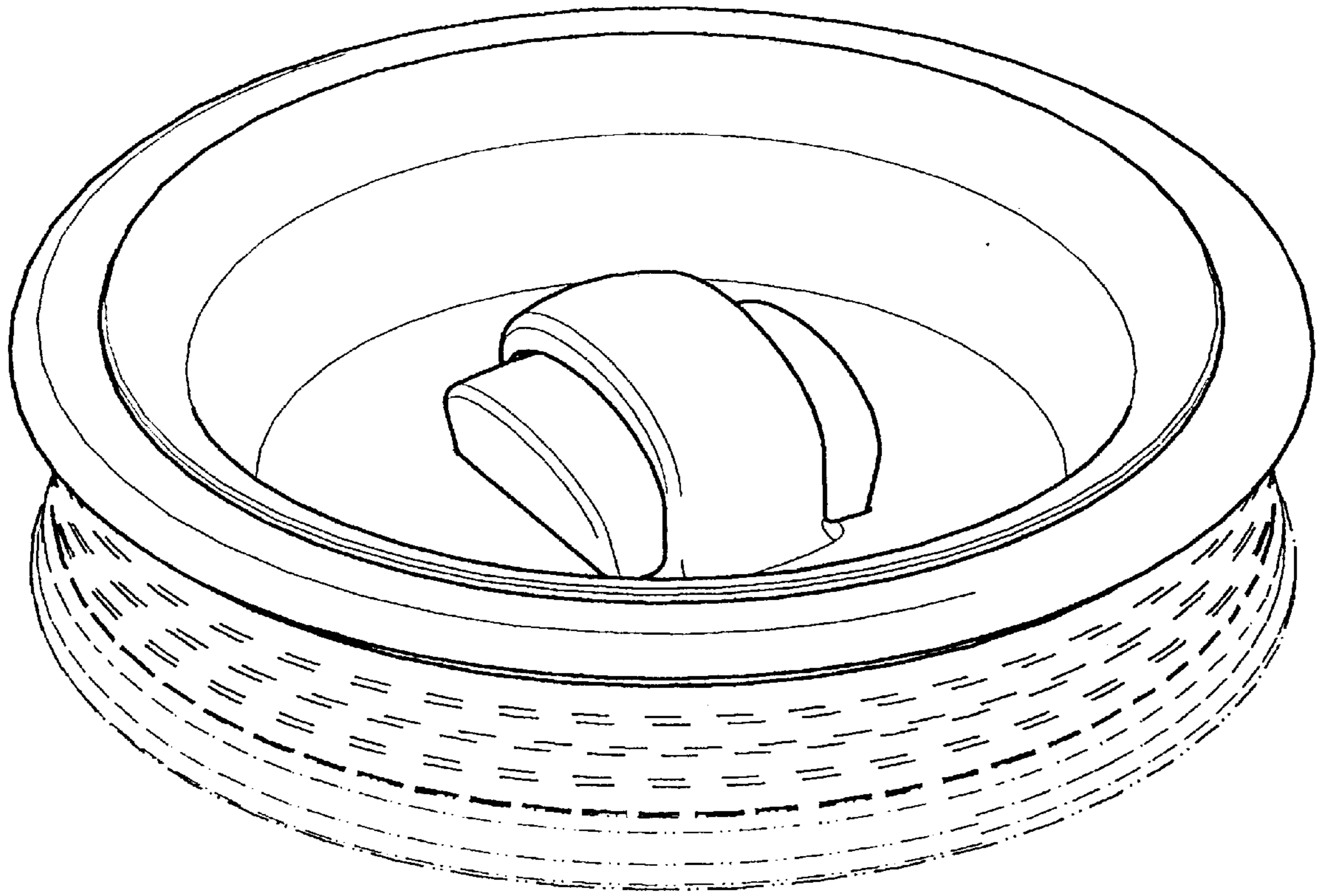


FIG. 3.

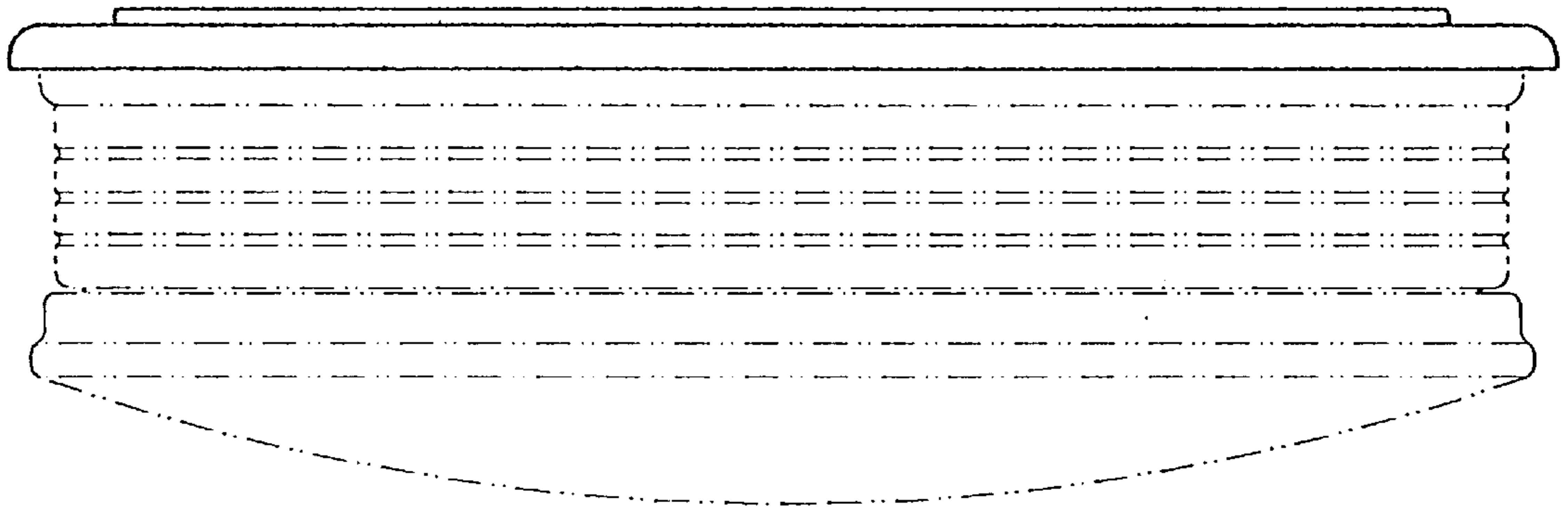


FIG. 4.