



US00D459628S

(12) **United States Design Patent**  
**Cahen**

(10) **Patent No.: US D459,628 S**

(45) **Date of Patent: \*\* Jul. 2, 2002**

(54) **COFFEE MACHINE**

(75) **Inventor: Antoine Cahen, Lausanne (CH)**

(73) **Assignee: Societe des Produits Nestle, S.A., Vevey (CH)**

(\*\*) **Term: 14 Years**

(21) **Appl. No.: 29/153,211**

(22) **Filed: Jan. 7, 2002**

(30) **Foreign Application Priority Data**

Aug. 7, 2001 (XH) ..... DM/056 926

(51) **LOC (7) Cl. .... 07-01**

(52) **U.S. Cl. .... D7/309; D7/310; D7/311**

(58) **Field of Search ..... D7/309, 310, 311, D7/312, 300, 306; 99/295, 277, 293, 306, 281, 305; 222/129.1; 210/455**

(56) **References Cited**

**U.S. PATENT DOCUMENTS**

D205,702 S	*	9/1966	Christine et al.	.....	D7/311
3,978,778 A	*	9/1976	Roberts	.....	99/281
4,644,856 A	*	2/1987	Borgmann	.....	99/295
D292,258 S	*	10/1987	Diefenbach	.....	D7/309
D298,504 S	*	11/1988	Frech	.....	D7/308
D298,505 S	*	11/1988	Frech	.....	D7/308

D309,842 S	*	8/1990	Frech	.....	D7/308
D345,279 S	*	3/1994	Sieger	.....	D7/309
D366,180 S	*	1/1996	Littmann	.....	D7/309
D396,987 S	*	8/1998	Seiffert	.....	D7/309
D400,046 S	*	10/1998	Seiffert	.....	D7/309
D411,403 S	*	6/1999	Gudefin	.....	D7/309
D413,757 S	*	9/1999	Munoz	.....	D7/309
D417,118 S	*	11/1999	Pomeroy	.....	D7/306
D445,292 S	*	7/2001	Sowden	.....	D7/309

\* cited by examiner

*Primary Examiner*—M. N. Pandozzi

(74) *Attorney, Agent, or Firm*—Denton L. Anderson; Sheldon & Mak

(57) **CLAIM**

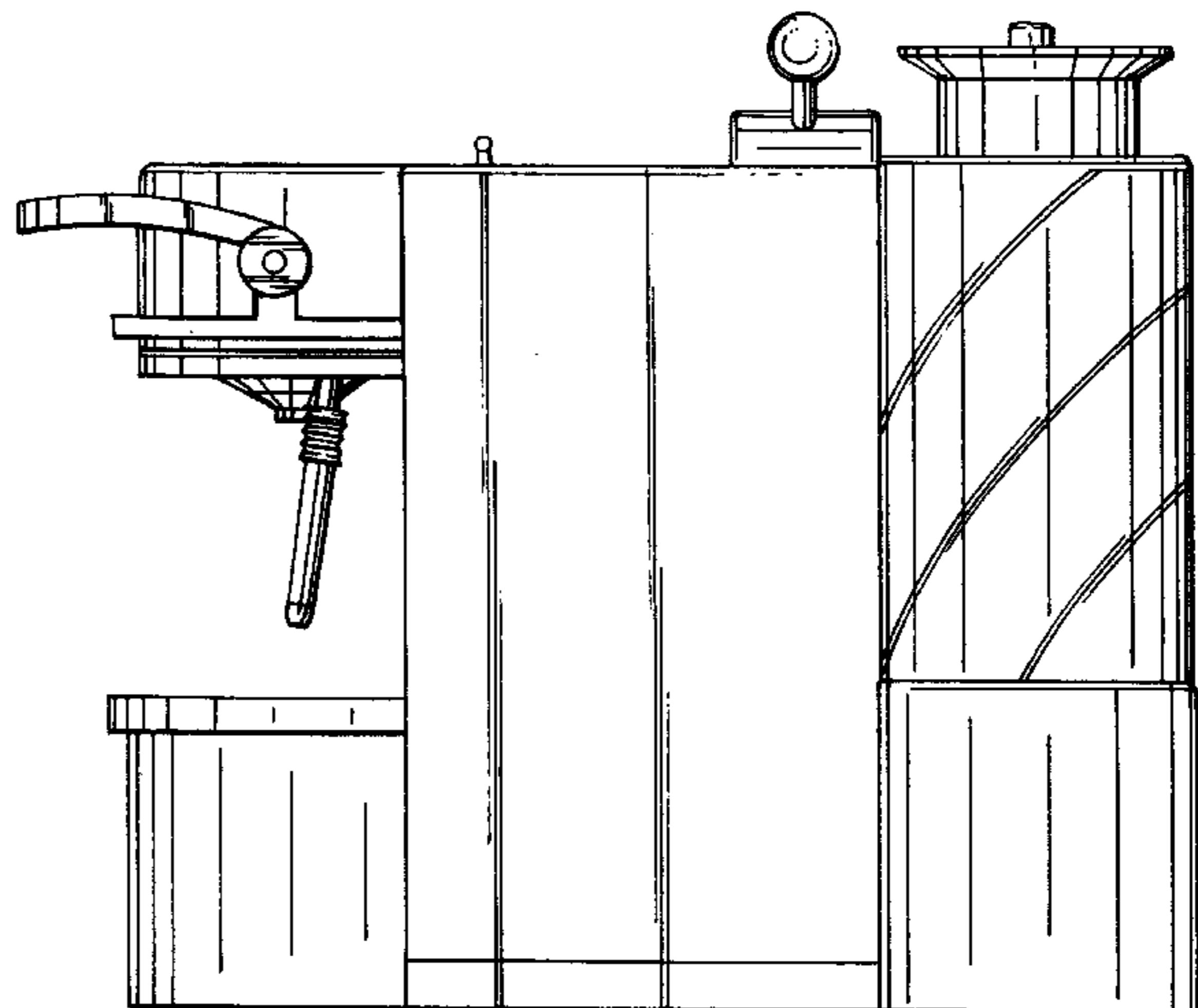
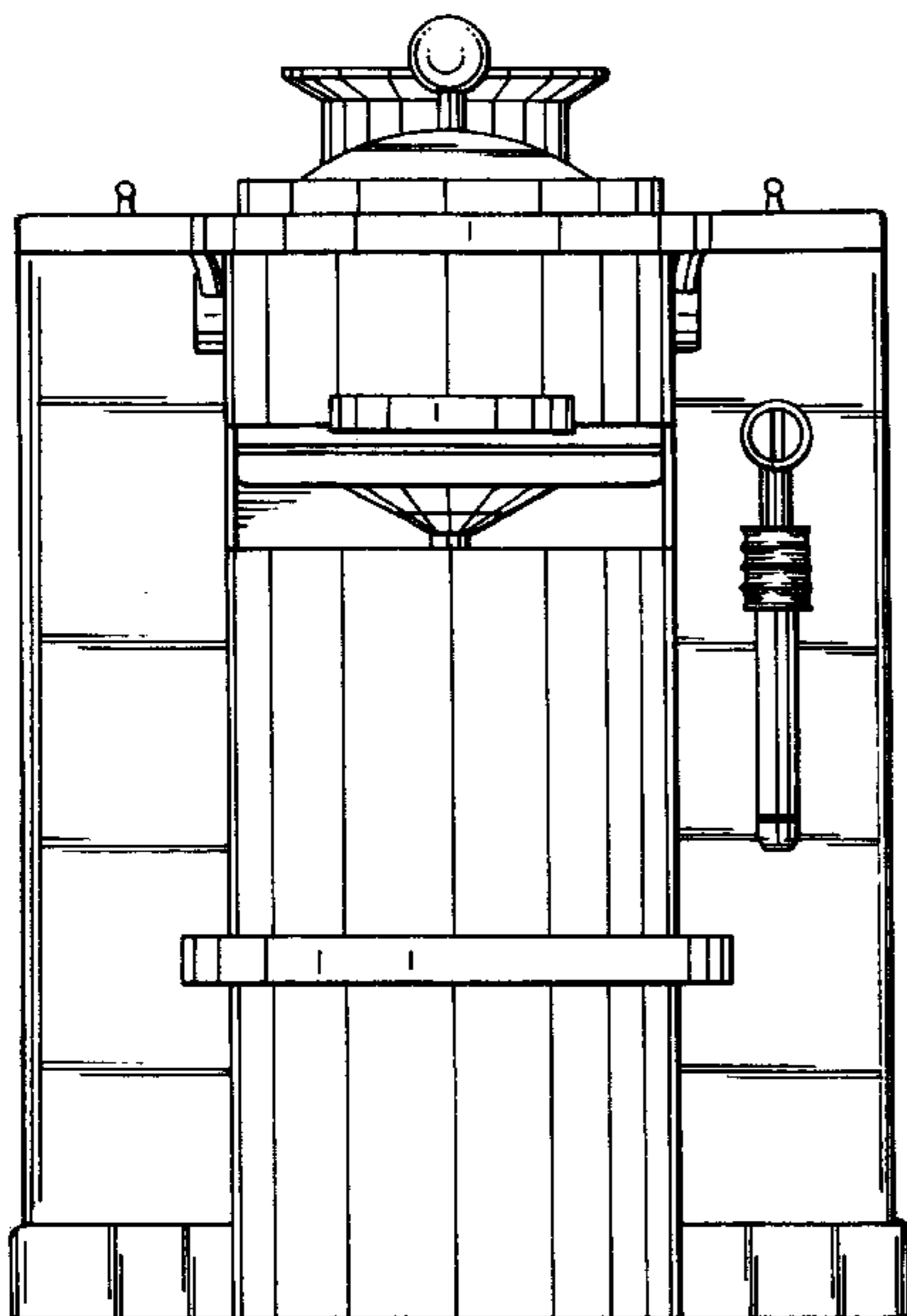
The ornamental design for a coffee machine, as shown and described.

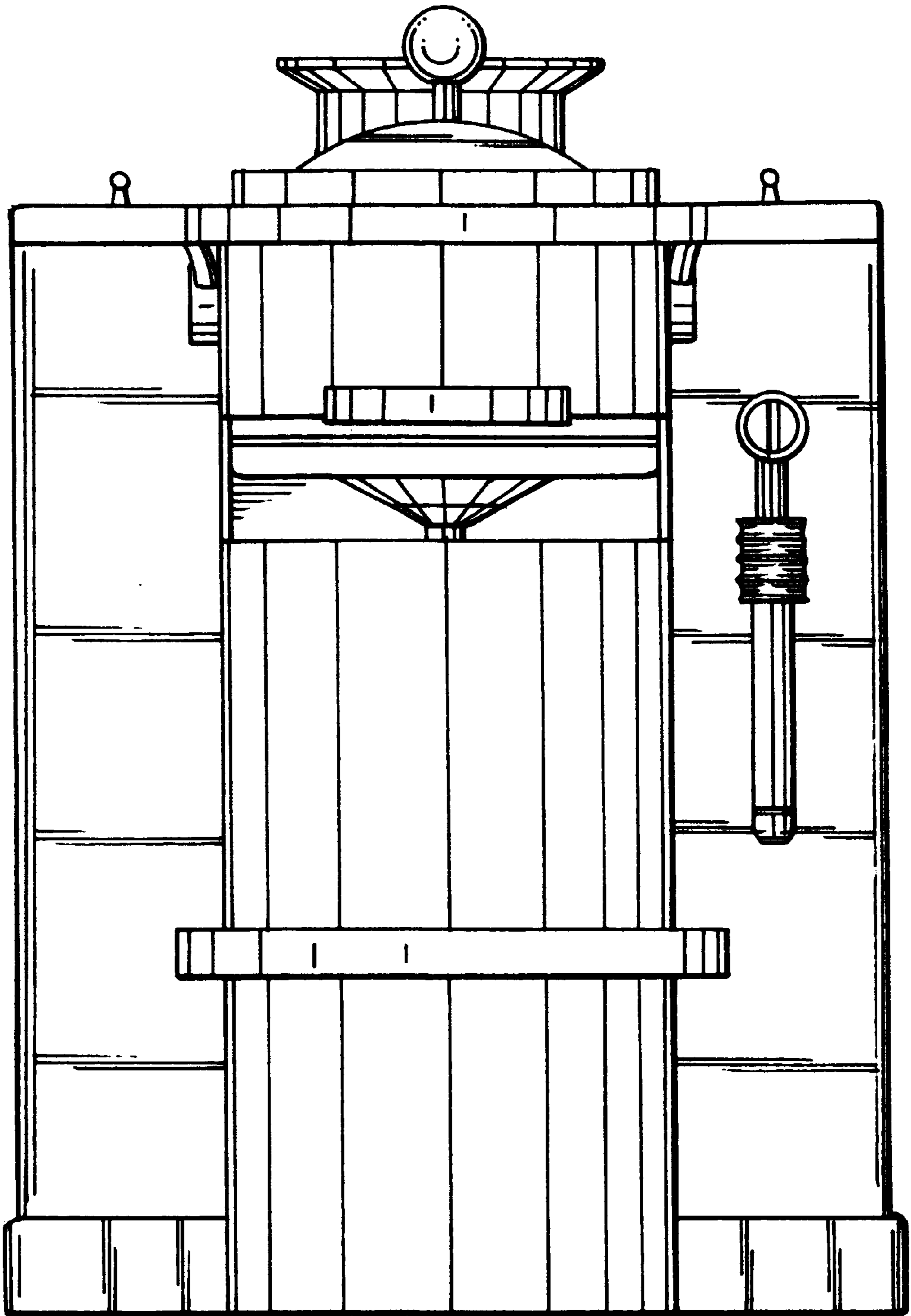
**DESCRIPTION**

FIG. 1 is a front perspective;  
FIG. 2 is a rear perspective;  
FIG. 3 is a left side perspective;  
FIG. 4 is a right side perspective;  
FIG. 5 is a top view; and,  
FIG. 6 is a bottom view.

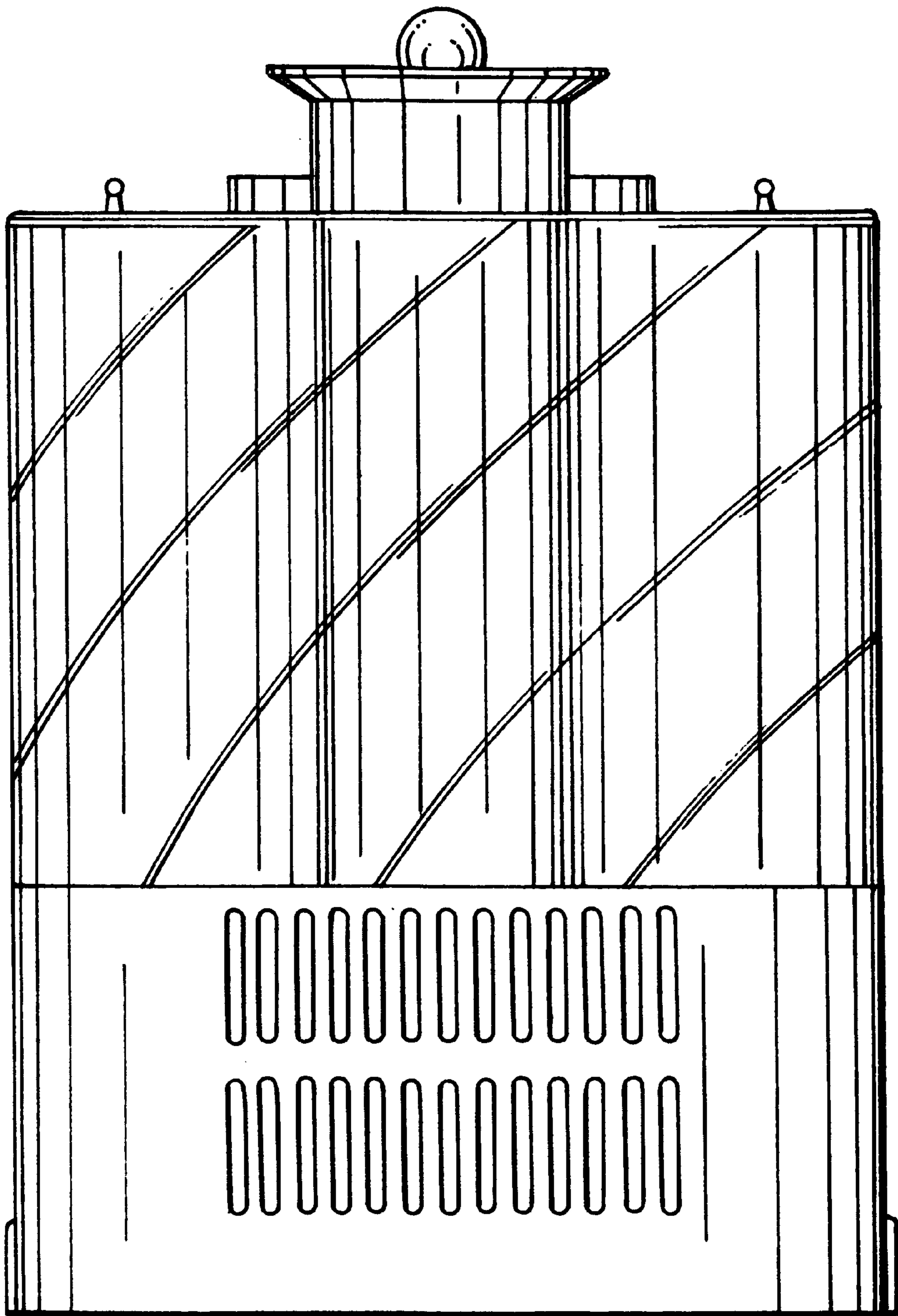
The portions of the coffee machine that are not shown in the drawings do not form part of the claimed design.

**1 Claim, 5 Drawing Sheets**

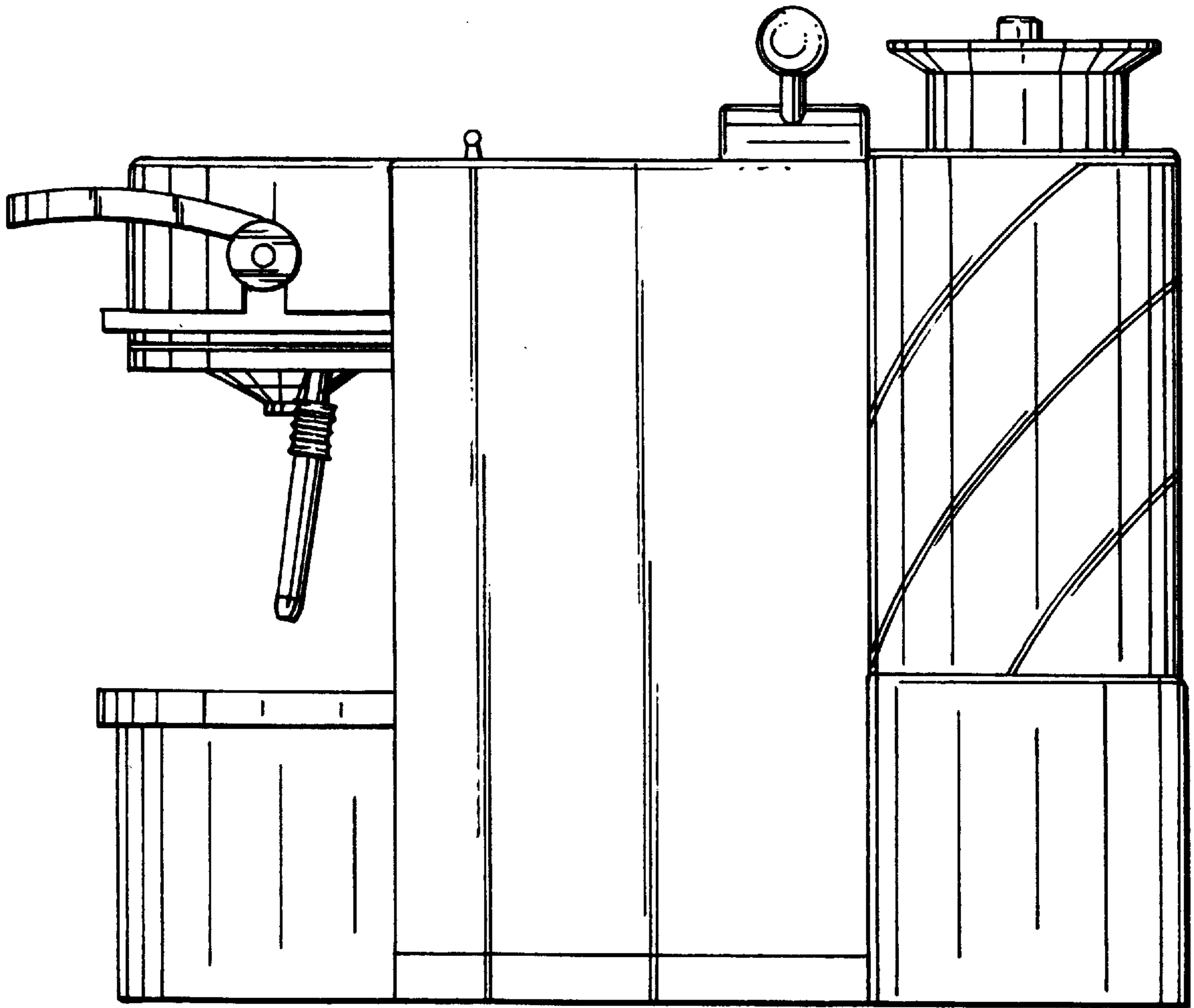




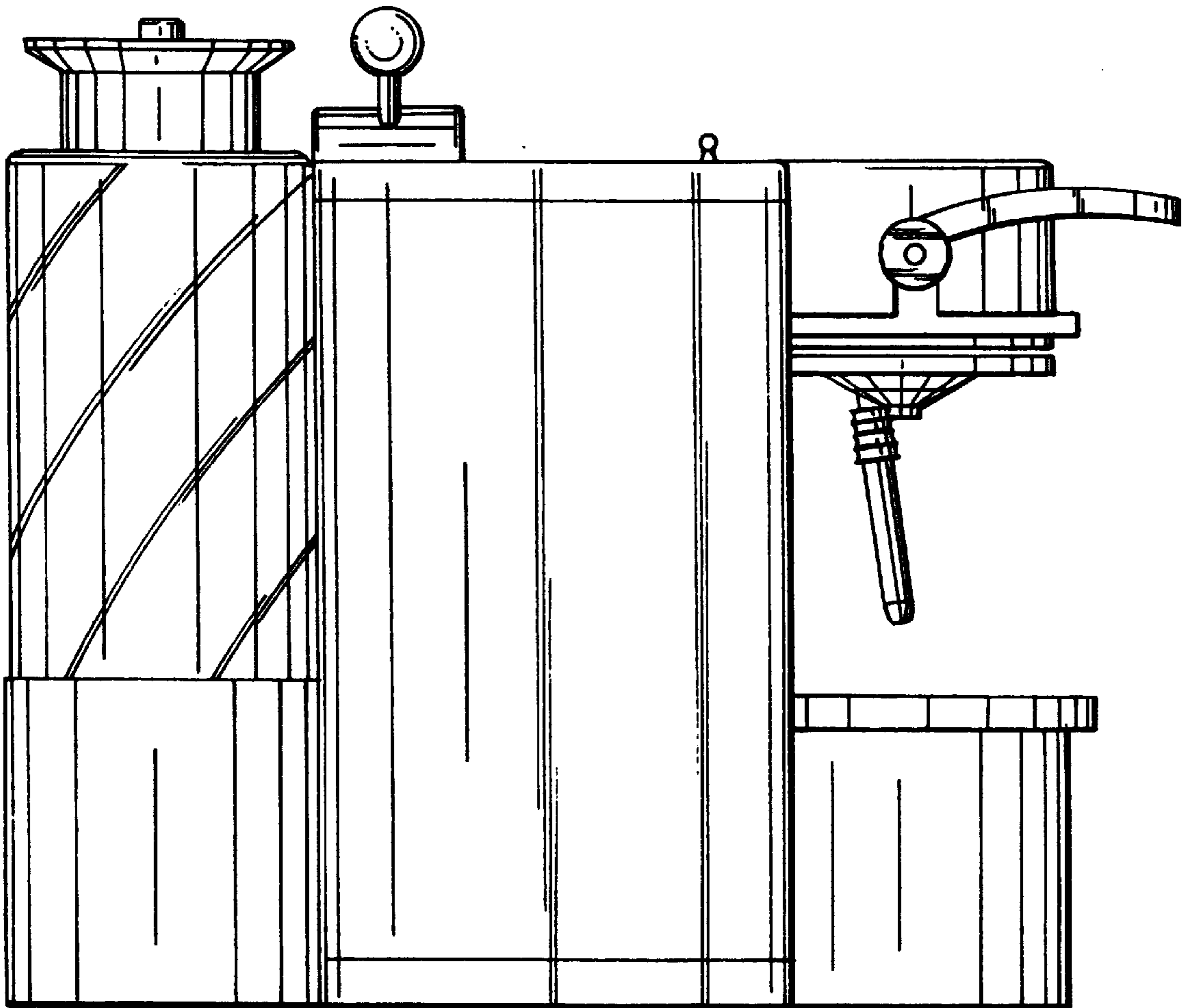
*Fig. 1*



*Fig. 2*

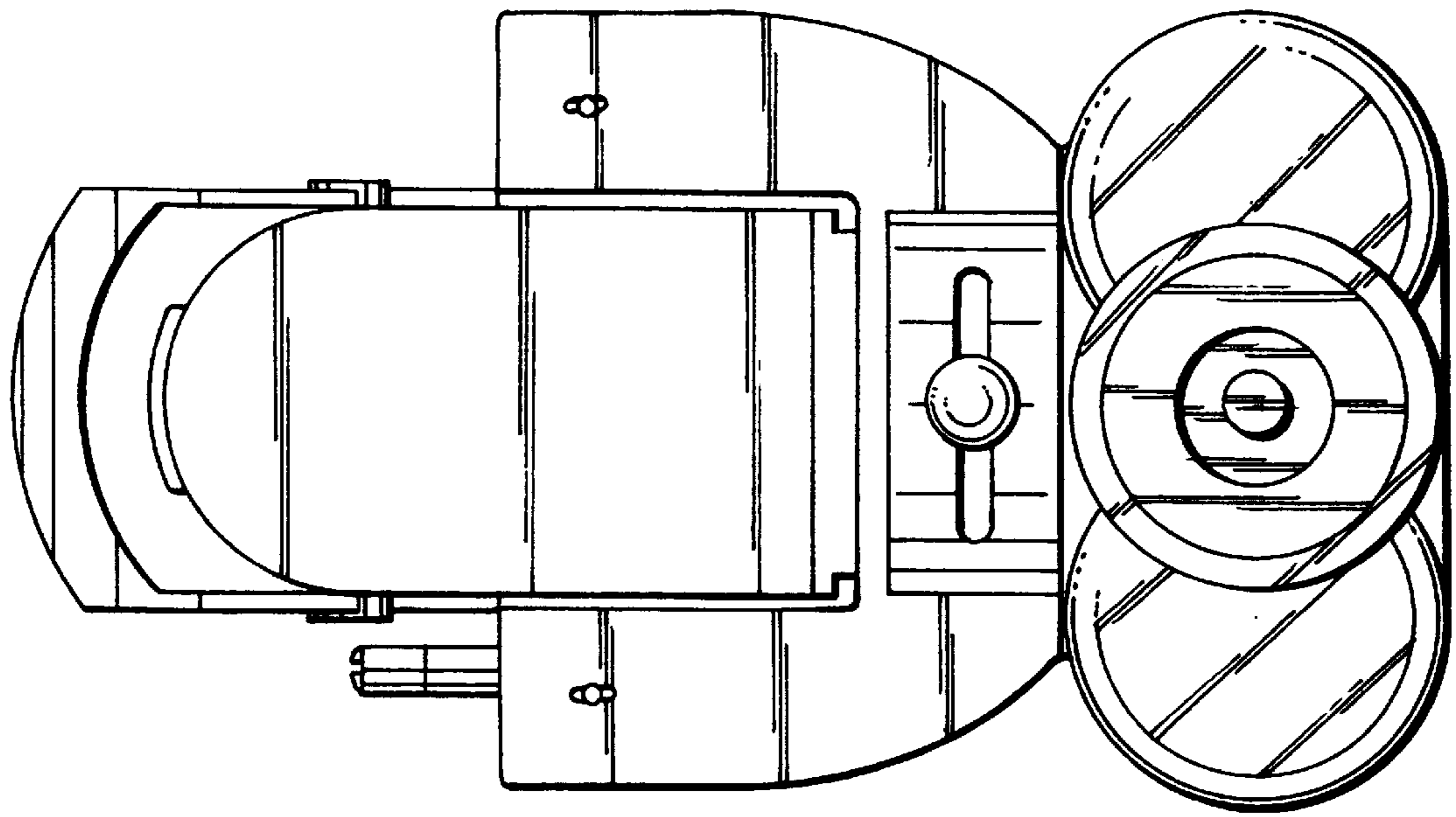


*Fig. 3*

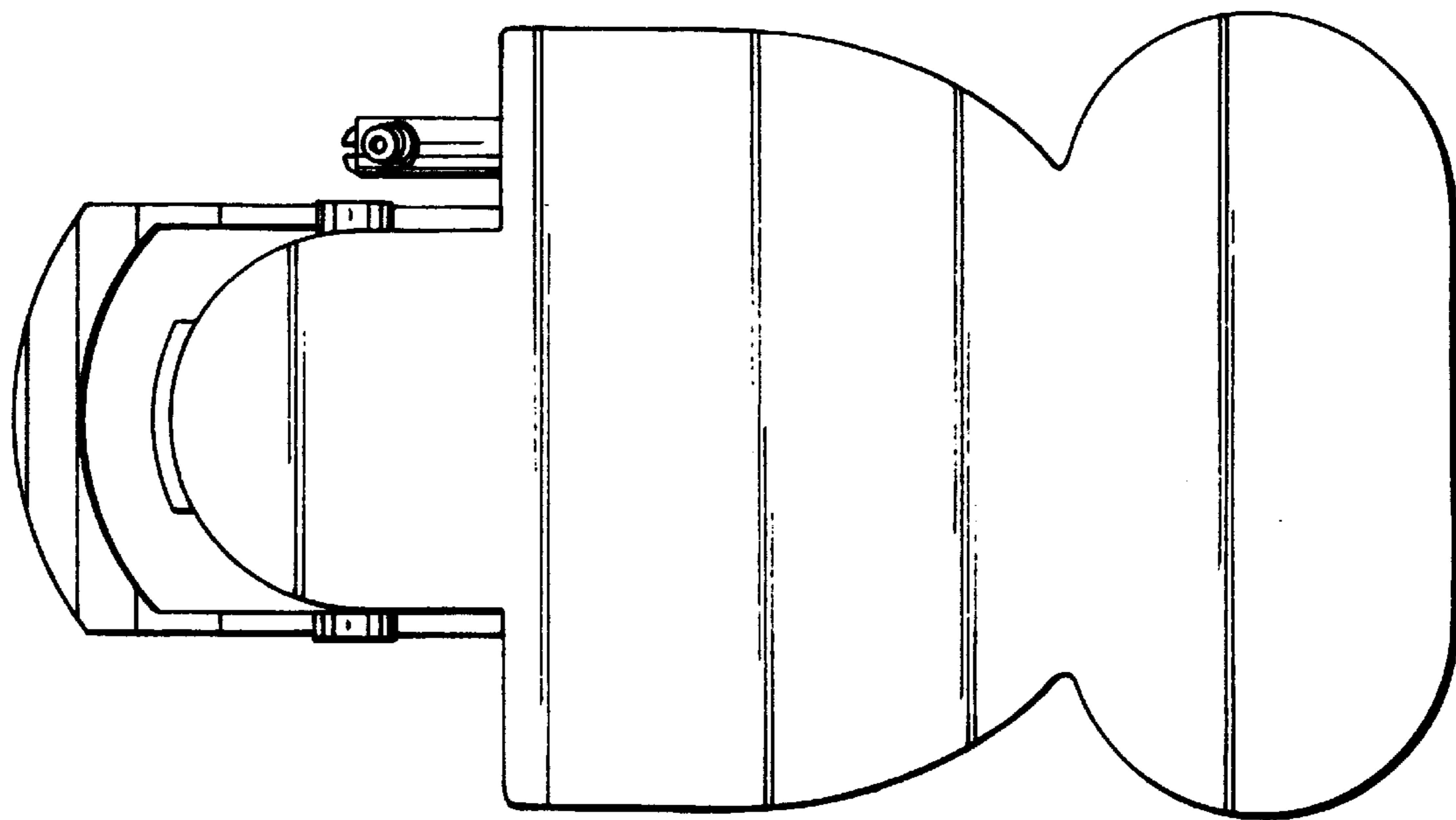


*Fig. 4*





*Fig. 5*



*Fig. 6*