



US00D459626S

(12) **United States Design Patent**
Shea

(10) **Patent No.:** **US D459,626 S**
(45) **Date of Patent:** **** Jul. 2, 2002**

(54) **MERCHANDISING DISPLAY STRUCTURE**

(76) Inventor: **Thomas M. Shea**, 1343 Rochester Rd.,
Suite 100, Troy, MI (US) 48083

(**) Term: **14 Years**

(21) Appl. No.: **29/133,775**

(22) Filed: **Dec. 6, 2000**

Related U.S. Application Data

(63) Continuation-in-part of application No. 29/128,076, filed on Aug. 17, 2000, and application No. 29/128,094, filed on Aug. 17, 2000, which is a continuation-in-part of application No. 29/107,556, filed on Jul. 8, 1999, now Pat. No. Des. 432,844, which is a continuation-in-part of application No. 09/225,671, filed on Jan. 5, 1999, now Pat. No. 6,070,747, which is a continuation-in-part of application No. 08/829,837, filed on Apr. 1, 1997, now Pat. No. 6,199,706, which is a continuation-in-part of application No. 08/599,407, filed on Nov. 26, 1995, now Pat. No. 5,660,286, said application No. 29/128,076, is a continuation-in-part of application No. 09/280,285, filed on Mar. 29, 1999, now Pat. No. 6,202,866, which is a continuation-in-part of application No. 09/225,671, filed on Jan. 5, 1999, now Pat. No. 6,070,747, and application No. 08/888,558, filed on Jul. 7, 1997, now Pat. No. 5,957,422.

(51) **LOC (7) Cl.** **06-04**

(52) **U.S. Cl.** **D6/567**

(58) **Field of Search** D6/566, 567, 552,
D6/553; 211/13.1, 86.01, 87.01, 181.1,
182; 248/235, 302

(56) **References Cited**

U.S. PATENT DOCUMENTS

251,351 A	12/1881	Ham
431,110 A	7/1890	Driver
2,020,991 A	11/1935	Brody
2,935,210 A	5/1960	Cohen
3,018,898 A	1/1962	Frazelle
D193,043 S	6/1962	Talmadge
3,087,624 A	4/1963	Hucker
3,125,042 A	3/1964	Mapson
3,191,776 A	6/1965	Tokash
3,221,893 A	12/1965	Glaerson et al.

3,285,208 A	11/1966	Cohen
3,513,606 A	5/1970	Jones
3,586,284 A	6/1971	Riebold
3,677,415 A	7/1972	Radek
3,743,105 A	7/1973	David
3,935,357 A	1/1976	Padovani
4,159,814 A	7/1979	Fibus
4,171,052 A	10/1979	Winn
D257,709 S	12/1980	Lewis
4,286,006 A	8/1981	Boelter
4,367,819 A	1/1983	Lewis
4,461,443 A	7/1984	Dauman
4,629,075 A	12/1986	Hutten
4,718,627 A	1/1988	Fast et al.
4,720,016 A	1/1988	Kay
4,767,012 A	8/1988	Simmons
4,911,392 A	3/1990	Fast
4,919,280 A	4/1990	Phillips
5,014,954 A	5/1991	Merl
D319,778 S	9/1991	Ziaylek
D320,719 S	10/1991	Kolsrud et al.
5,090,725 A	2/1992	Feldner
5,096,070 A	3/1992	Jaynes

(List continued on next page.)

Primary Examiner—Brian N. Vinson
(74) *Attorney, Agent, or Firm*—Gifford, Krass, Groh,
Sprinkle, Anderson & Citkowski, P.C.

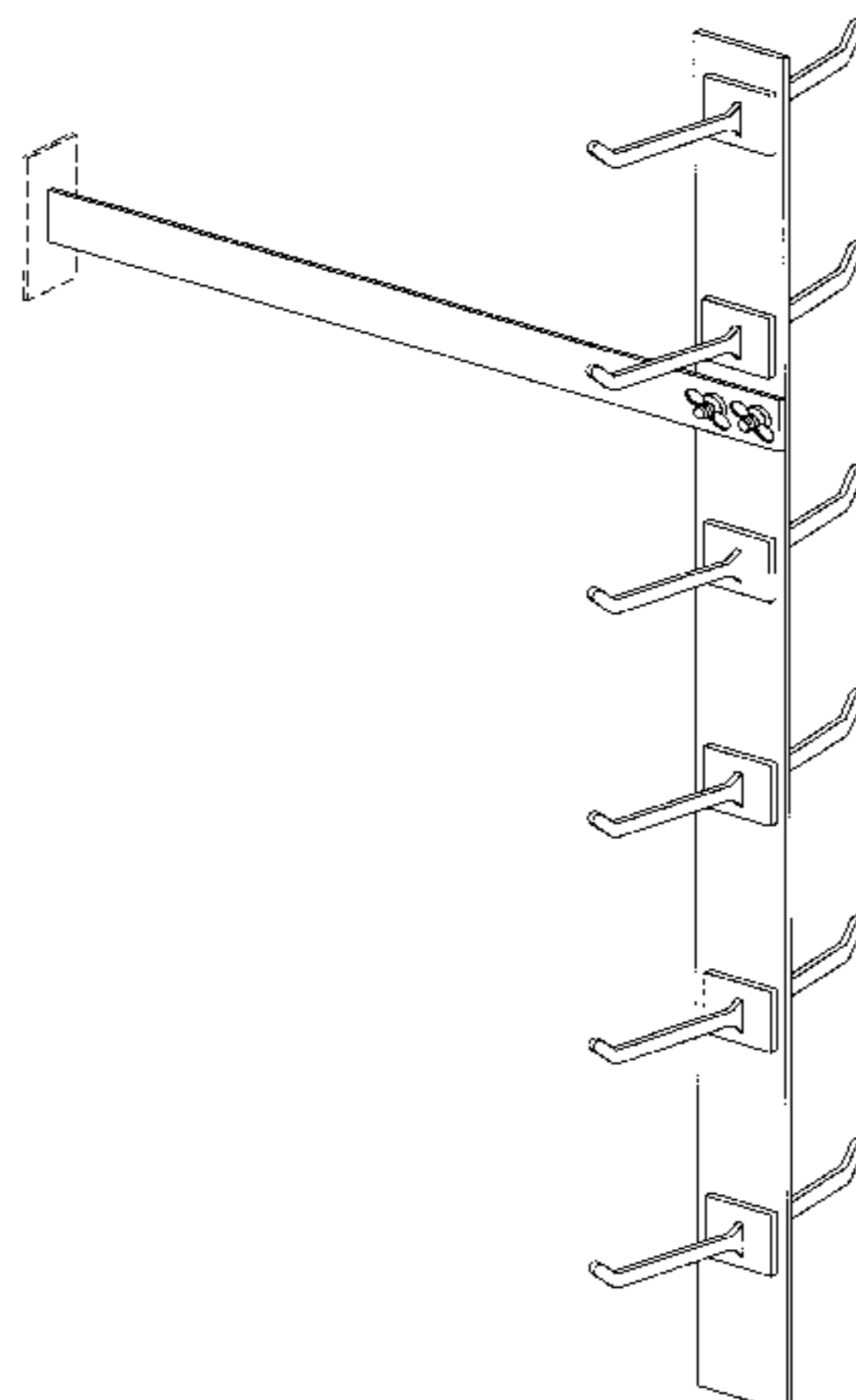
(57) **CLAIM**

I claim the ornamental design for a merchandising display structure, as shown and described.

DESCRIPTION

FIG. 1 is a top, front, and left side perspective view of a merchandising display structure showing my new design; FIG. 2 is a front elevational view thereof; FIG. 3 is a top plan view thereof; FIG. 4 is a right side elevational view thereof; FIG. 5 is a rear elevational view thereof; FIG. 6 is a left side elevational view thereof; and, FIG. 7 is a bottom plan view thereof. The broken-line disclosure of wall mounting bracket is understood to be for illustrative purposes only and to form no part of the claimed design.

1 Claim, 3 Drawing Sheets



US D459,626 S

Page 2

U.S. PATENT DOCUMENTS

D327,187 S	6/1992	Swon	5,553,721 A	9/1996	Gebka
5,284,259 A	2/1994	Conway et al.	5,556,064 A	9/1996	Cowe
5,303,830 A	4/1994	Metcalf	5,595,309 A	1/1997	Bauer et al.
5,370,249 A	12/1994	Harvey et al.	5,620,104 A	4/1997	Maglione
5,386,916 A	2/1995	Valiulis	5,657,884 A	8/1997	Zilincar, III
5,405,022 A	4/1995	Rissley	5,660,286 A	8/1997	Shea
5,415,370 A	5/1995	Valiulis	D384,534 S *	10/1997	Kiggins D6/567
5,443,167 A	8/1995	Menaged et al.	5,678,702 A	10/1997	Menaged et al.
5,505,318 A	4/1996	Todd, Jr.	D390,398 S *	2/1998	Baker et al. D6/566
5,526,944 A	6/1996	Merl	5,762,207 A	6/1998	Maglione
5,547,088 A	8/1996	Belokin et al.	5,957,422 A	9/1999	Shea

* cited by examiner

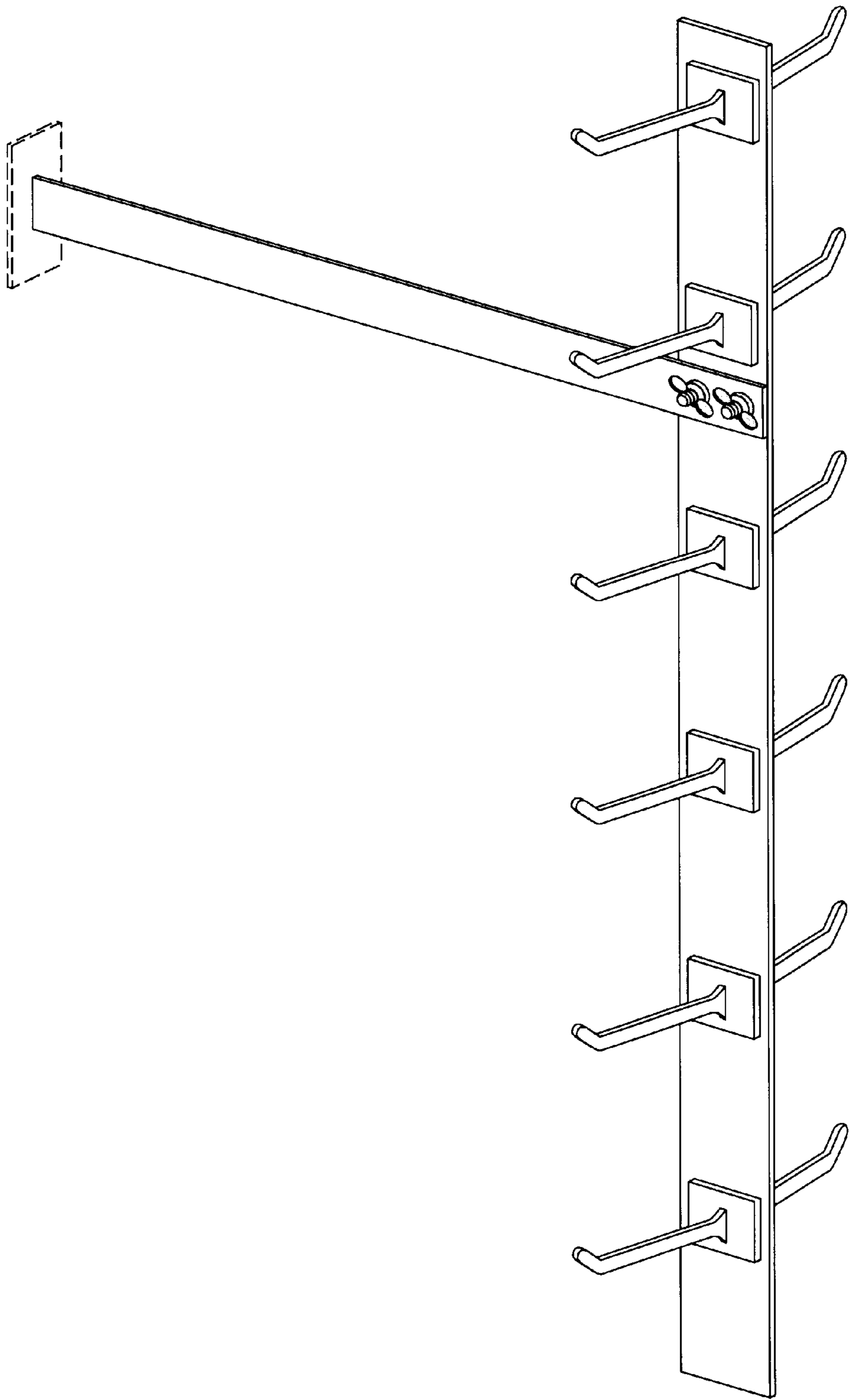


Fig-1

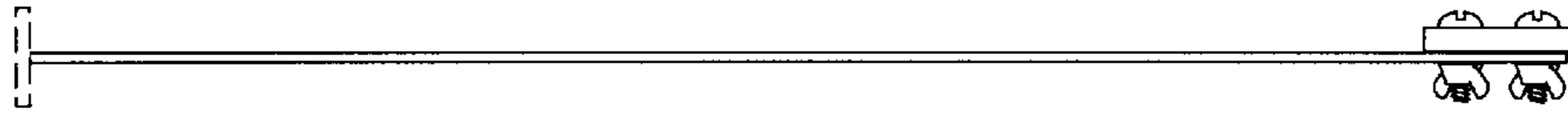


Fig-3

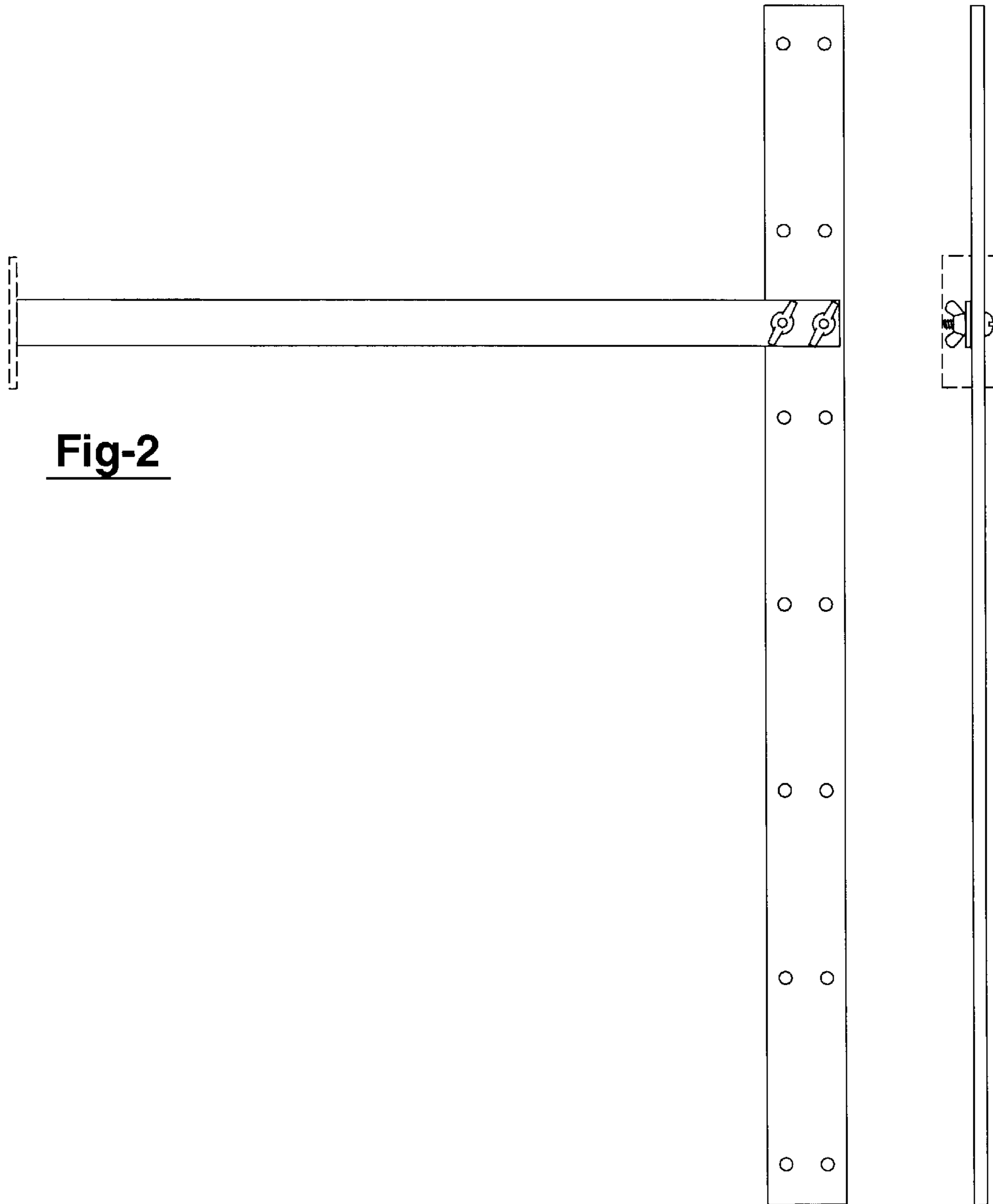


Fig-2

Fig-4

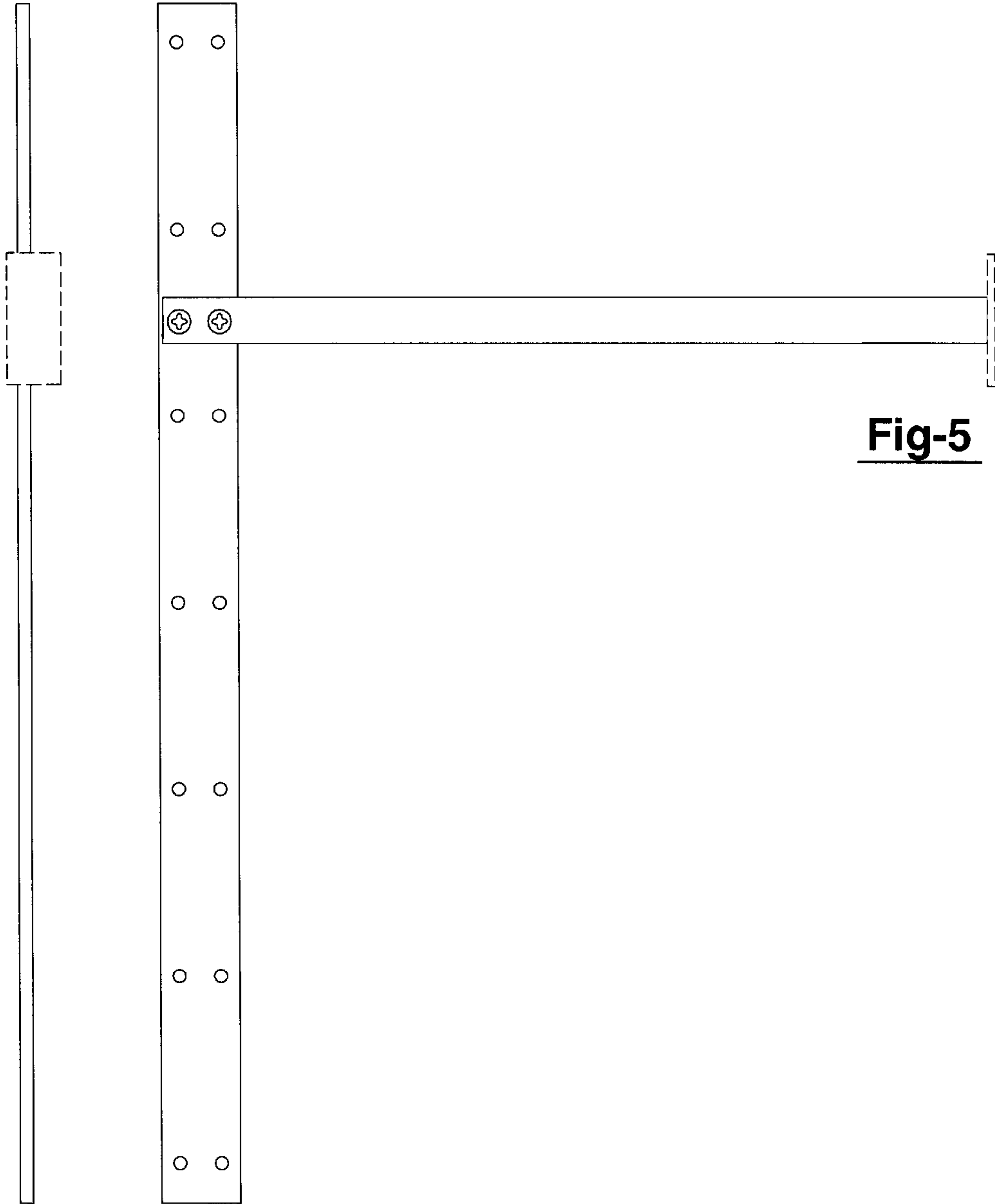


Fig-5

Fig-6

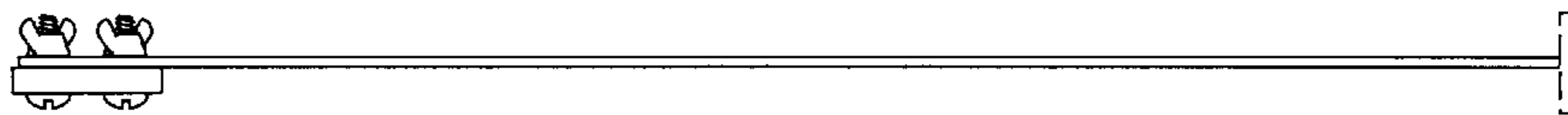


Fig-7