



US00D459625S

(12) **United States Design Patent**
Zebbedies

(10) **Patent No.:** **US D459,625 S**

(45) **Date of Patent:** **** Jul. 2, 2002**

(54) **SHORT SPINED GUN RACK**

(76) Inventor: **Dieter H. Zebbedies**, 4175 Springcrest Dr., Brooklyn, OH (US) 44144

(**) Term: **14 Years**

(21) Appl. No.: **29/031,466**

(22) Filed: **Nov. 28, 1994**

(51) **LOC (7) Cl.** **06-06**

(52) **U.S. Cl.** **D6/552; D6/552**

(58) **Field of Search** **D6/552; 211/13, 211/60.1, 64; 224/913; 248/309.1**

(56) **References Cited**

U.S. PATENT DOCUMENTS

D130,816 S	*	12/1941	Johnson	D6/552
3,473,673 A		10/1969	Porter	211/64
3,917,071 A		11/1975	Walters	211/64
4,120,436 A		10/1978	Burch	224/64
4,360,179 A	*	11/1982	Roberts	248/309.1 X
4,364,499 A	*	12/1982	McCue	224/913 X
4,852,780 A		8/1989	Woodbury	224/913
4,873,777 A	*	10/1989	Southard	211/64 X
D313,886 S	*	1/1991	Southard	D6/552

4,998,944 A	3/1991	Lund	42/94
5,129,563 A	7/1992	Dillon	224/275
5,350,094 A	9/1994	Morford	224/913

* cited by examiner

Primary Examiner—Brian N. Vinson

(74) *Attorney, Agent, or Firm*—Roger D. Emerson

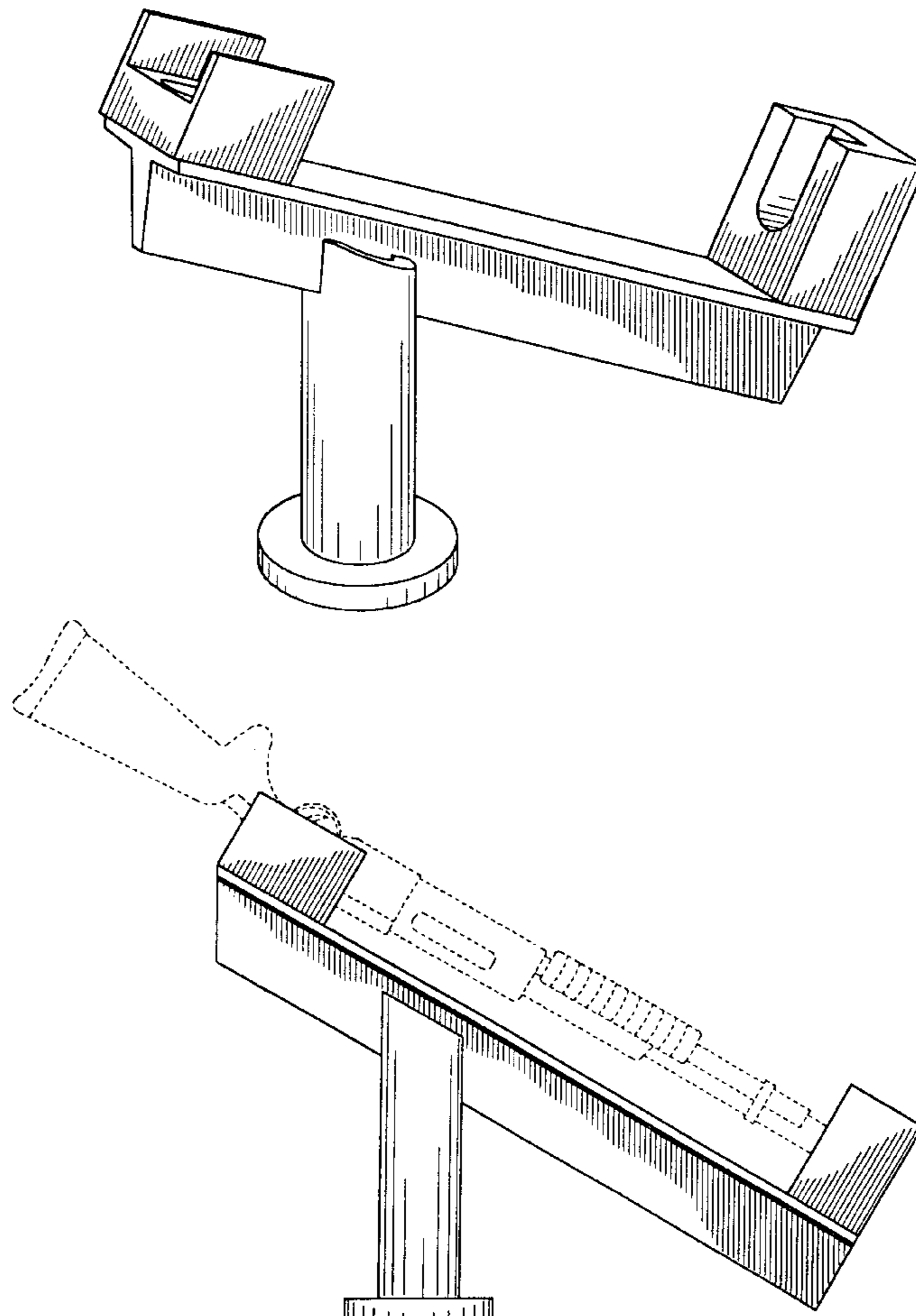
(57) **CLAIM**

The ornamental design for a short spined gun rack, as shown and described.

DESCRIPTION

FIG. 1 is a elevational perspective view of the invention; FIG. 2 is another elevational perspective view of the invention; FIG. 3 is a front elevational view of the invention with the broken-line disclosure of a shotgun being for illustrative purposes only and forming no part of the claimed design; FIG. 4 is a left end view of the invention; FIG. 5 is a right end view of the invention; FIG. 6 is a top view of the invention; and, FIG. 7 is a bottom of the invention.

1 Claim, 2 Drawing Sheets



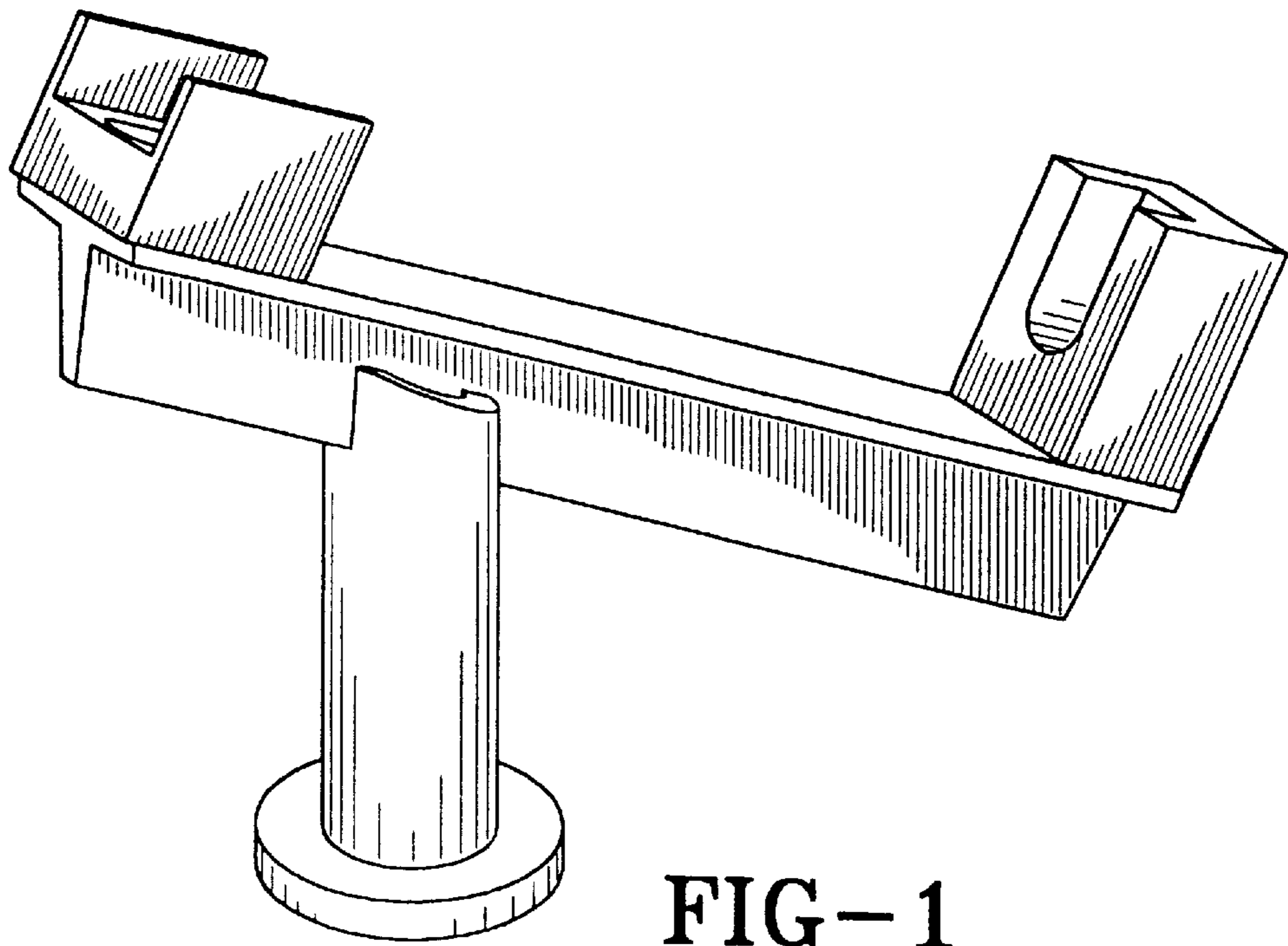


FIG-1

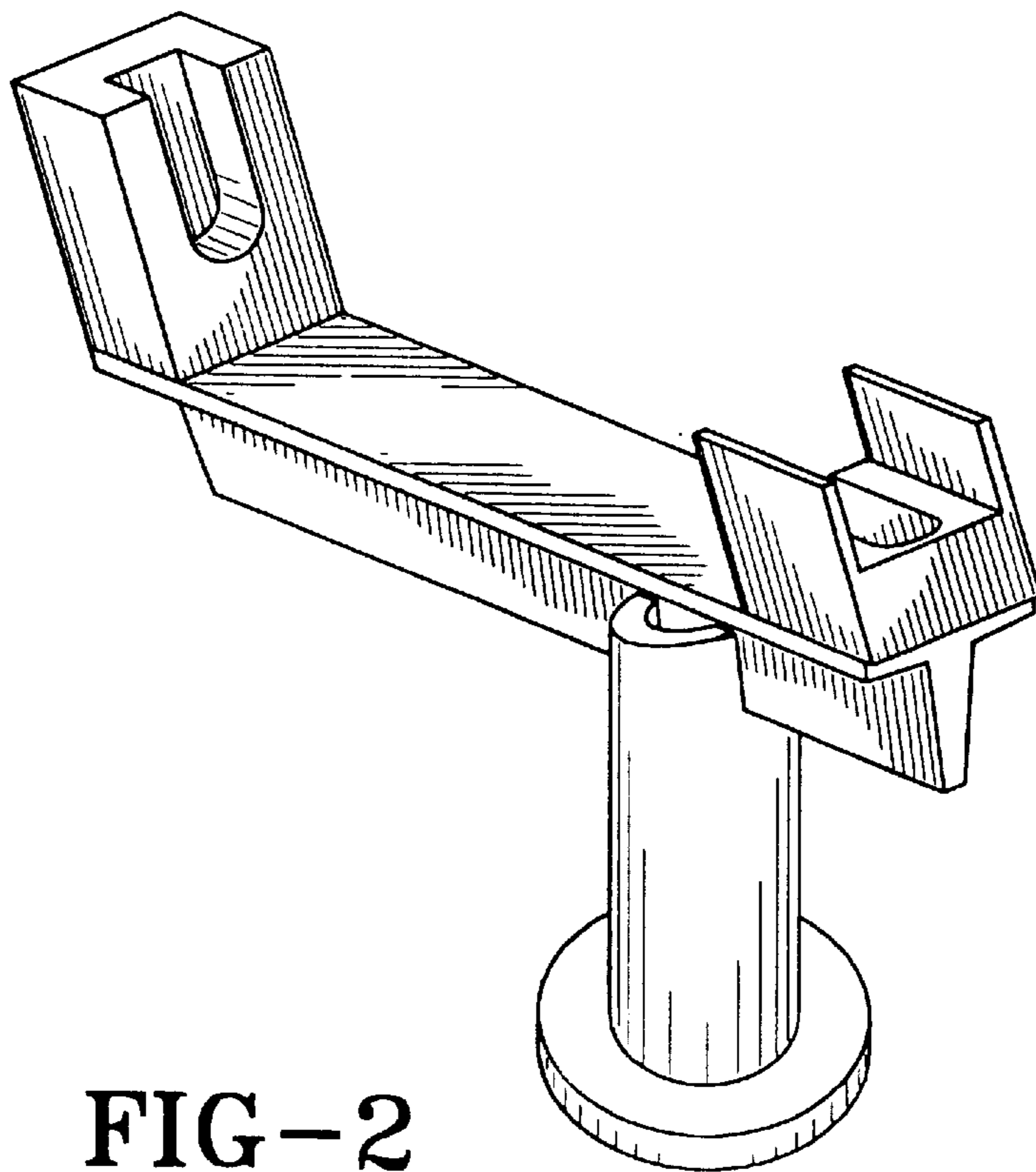


FIG-2

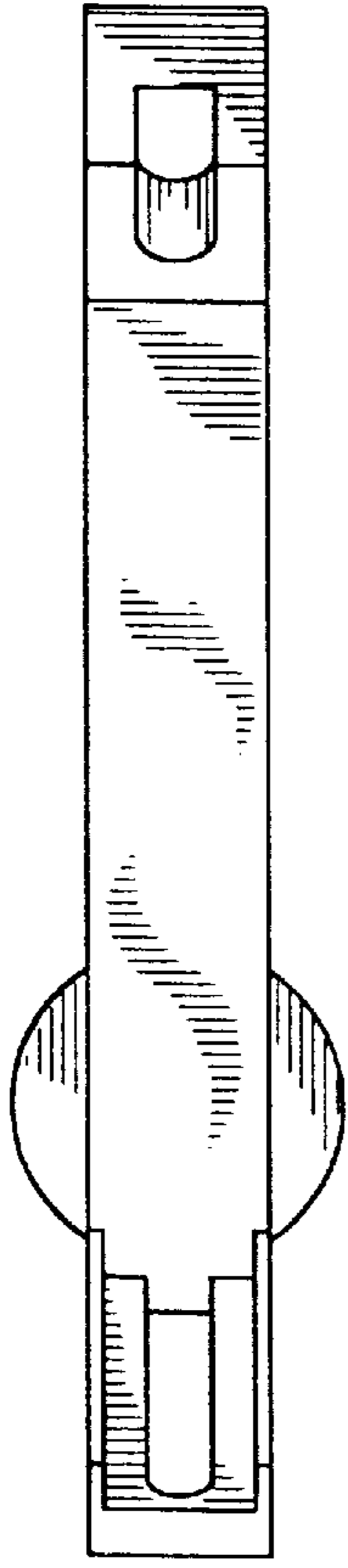


FIG-6

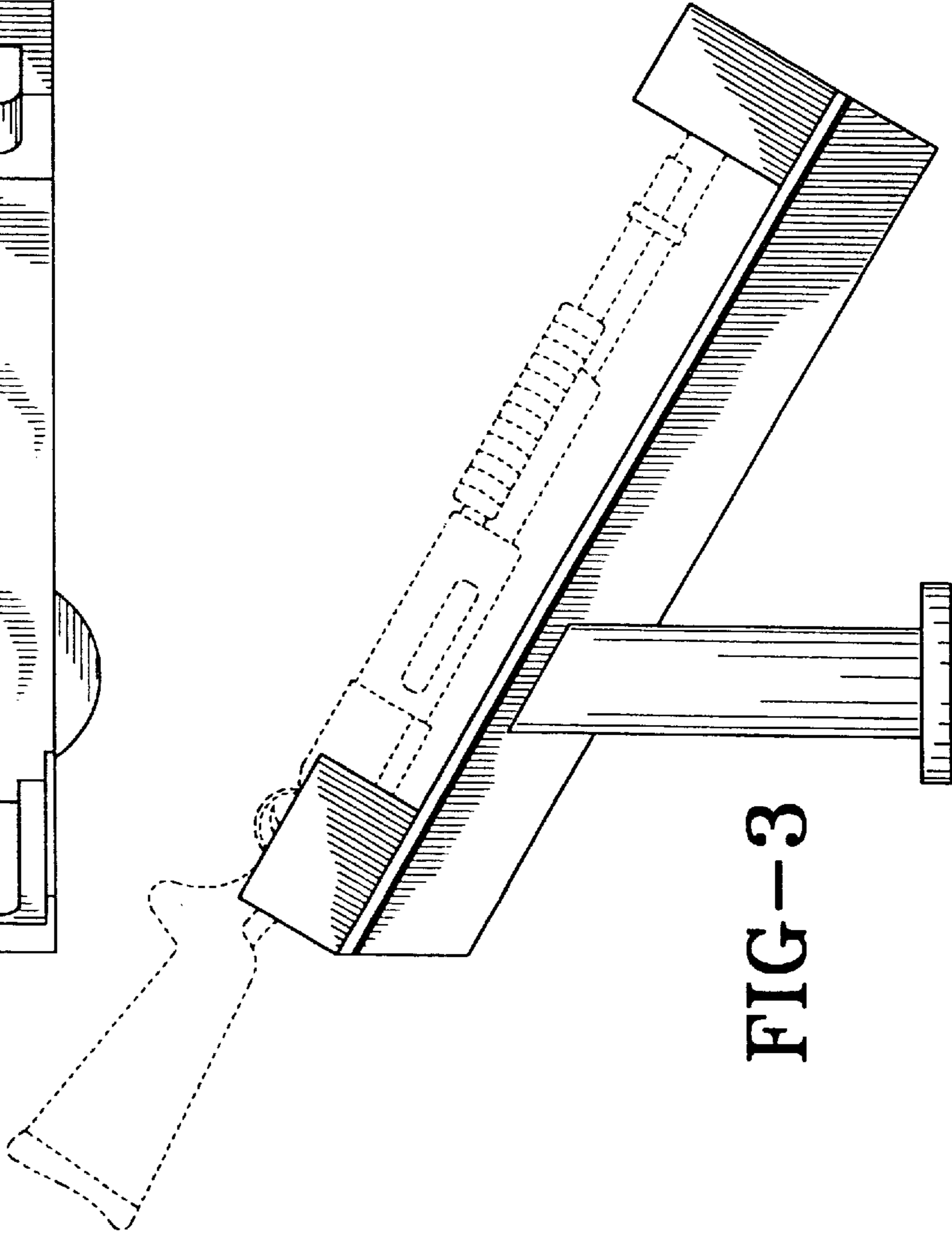


FIG-3

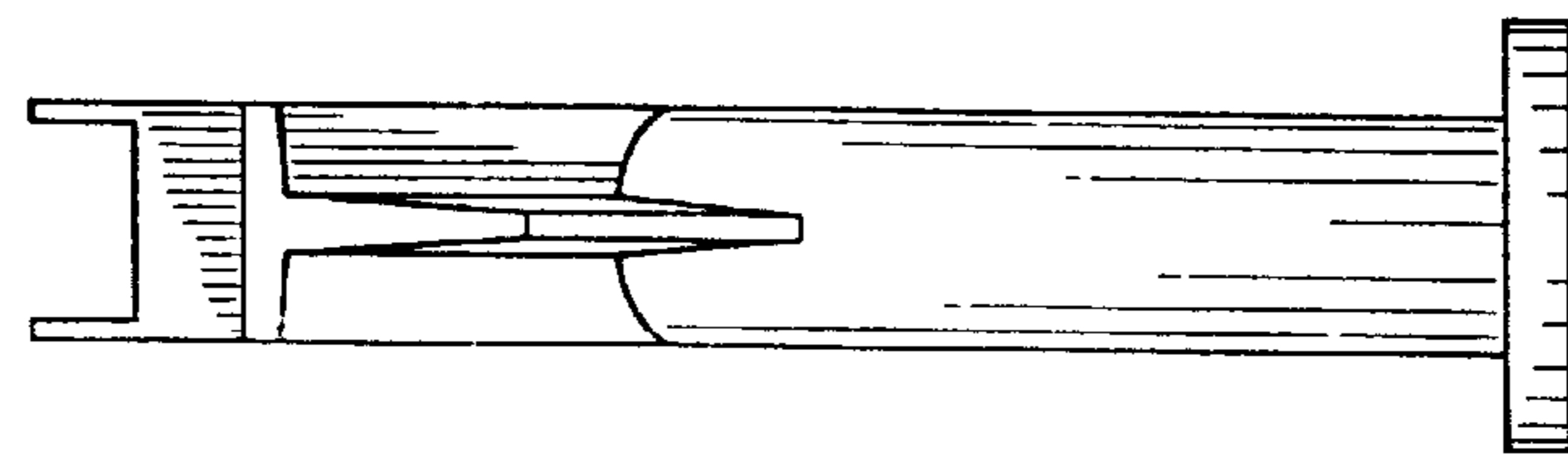


FIG-4

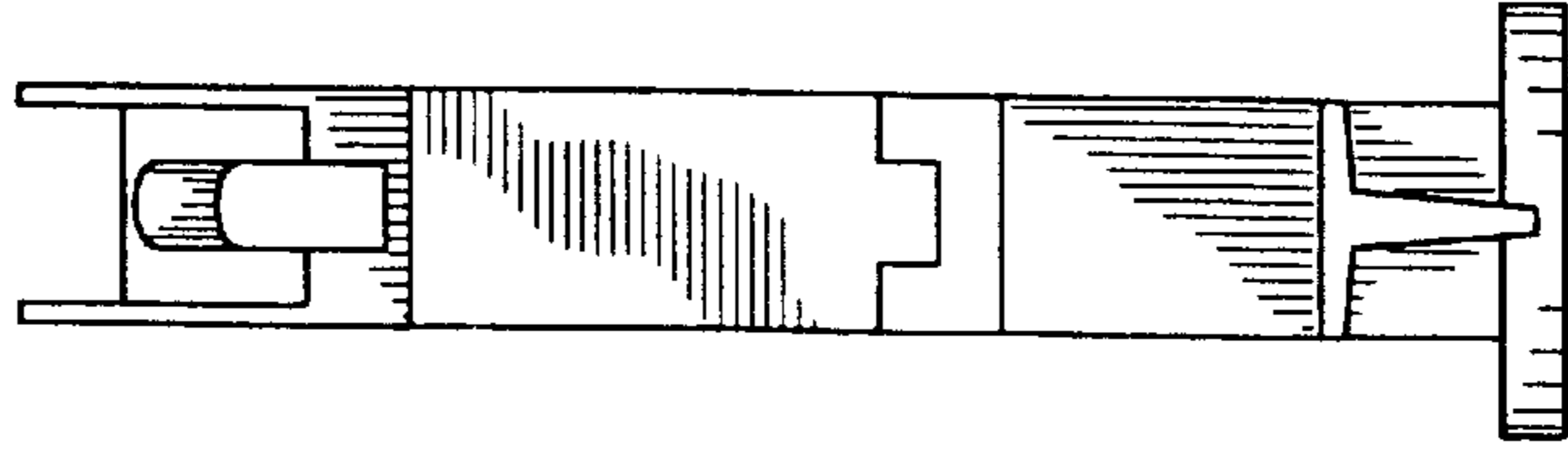


FIG-5

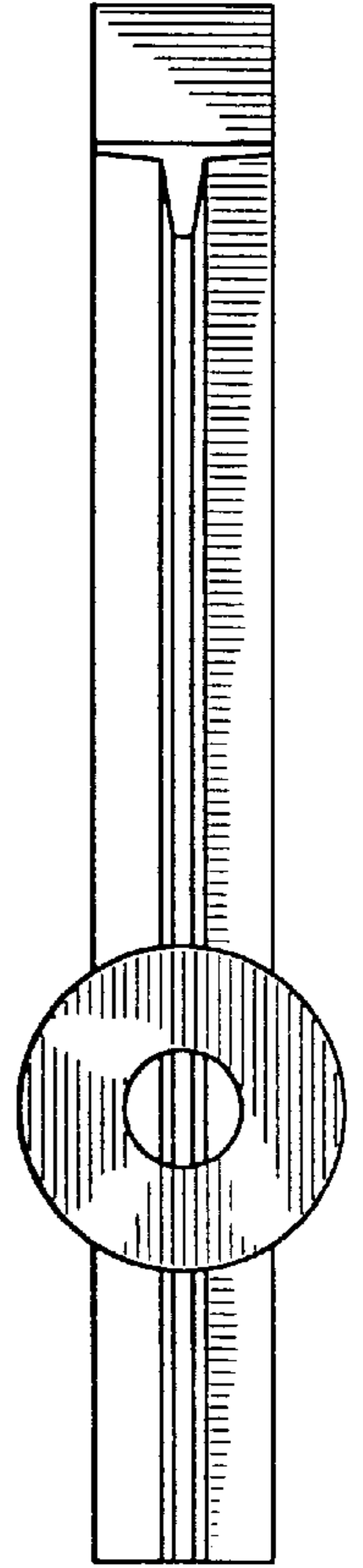


FIG-7