



US00D459624S

(12) **United States Design Patent**
Hsu

(10) **Patent No.:** **US D459,624 S**

(45) **Date of Patent:** **** Jul. 2, 2002**

(54) **TISSUE BOX**

(75) **Inventor:** **Kevin Hsu, Taichung (TW)**

(73) **Assignee:** **Dong Guan Bright Yin Huey Lighting Co., Ltd., Guang Dong (CN)**

(**) **Term:** **14 Years**

(21) **Appl. No.:** **29/145,422**

(22) **Filed:** **Jul. 24, 2001**

(51) **LOC (7) Cl.** **20-02**

(52) **U.S. Cl.** **D6/518**

(58) **Field of Search** D6/515-523; 312/34.1, 312/34.4; 206/812, 804; 221/22, 33, 45, 286; 211/13.1, 48, 49

(56) **References Cited**

U.S. PATENT DOCUMENTS

- D208,206 S * 8/1967 Helgeson D6/522
- D371,708 S * 7/1996 Haley et al. D6/518

- D372,386 S * 8/1996 Kuchenbecker D6/518
- D390,391 S * 2/1998 Hsu D6/518
- D403,189 S * 12/1998 Isaacson D6/518
- D436,273 S * 1/2001 Lange D6/519

* cited by examiner

Primary Examiner—Brian N. Vinson

(74) *Attorney, Agent, or Firm*—Rosenberg, Klein & Lee

(57) **CLAIM**

The ornamental design for a tissue box, as shown and described.

DESCRIPTION

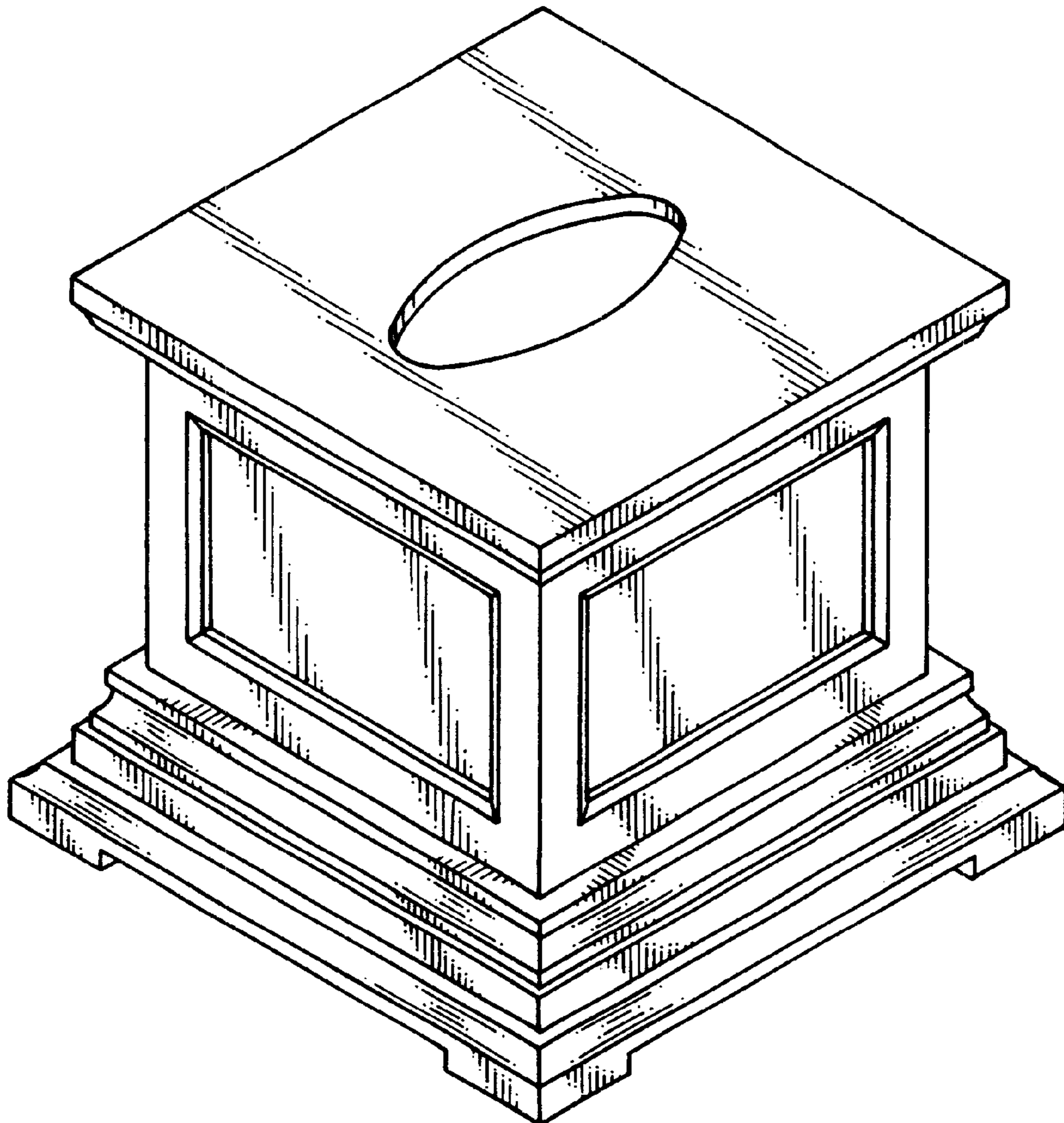
FIG. 1 is a perspective view of tissue box showing my new design;

FIG. 2 is a front elevation view thereof, the rear, the left and the right side elevation view thereof being identical in appearance;

FIG. 3 is a top plan view thereof; and,

FIG. 4 is a bottom plan view thereof.

1 Claim, 3 Drawing Sheets



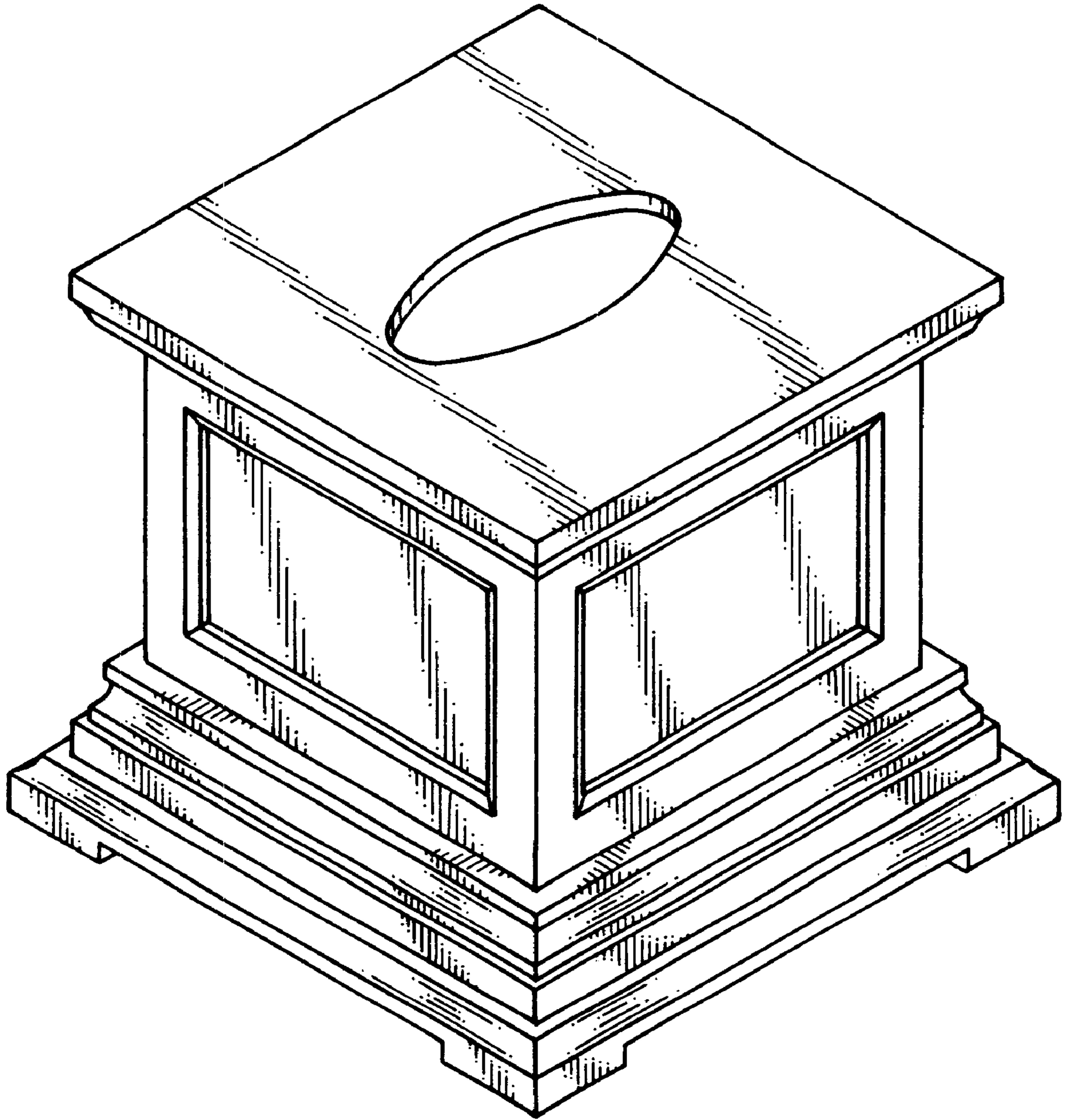


FIG. 1

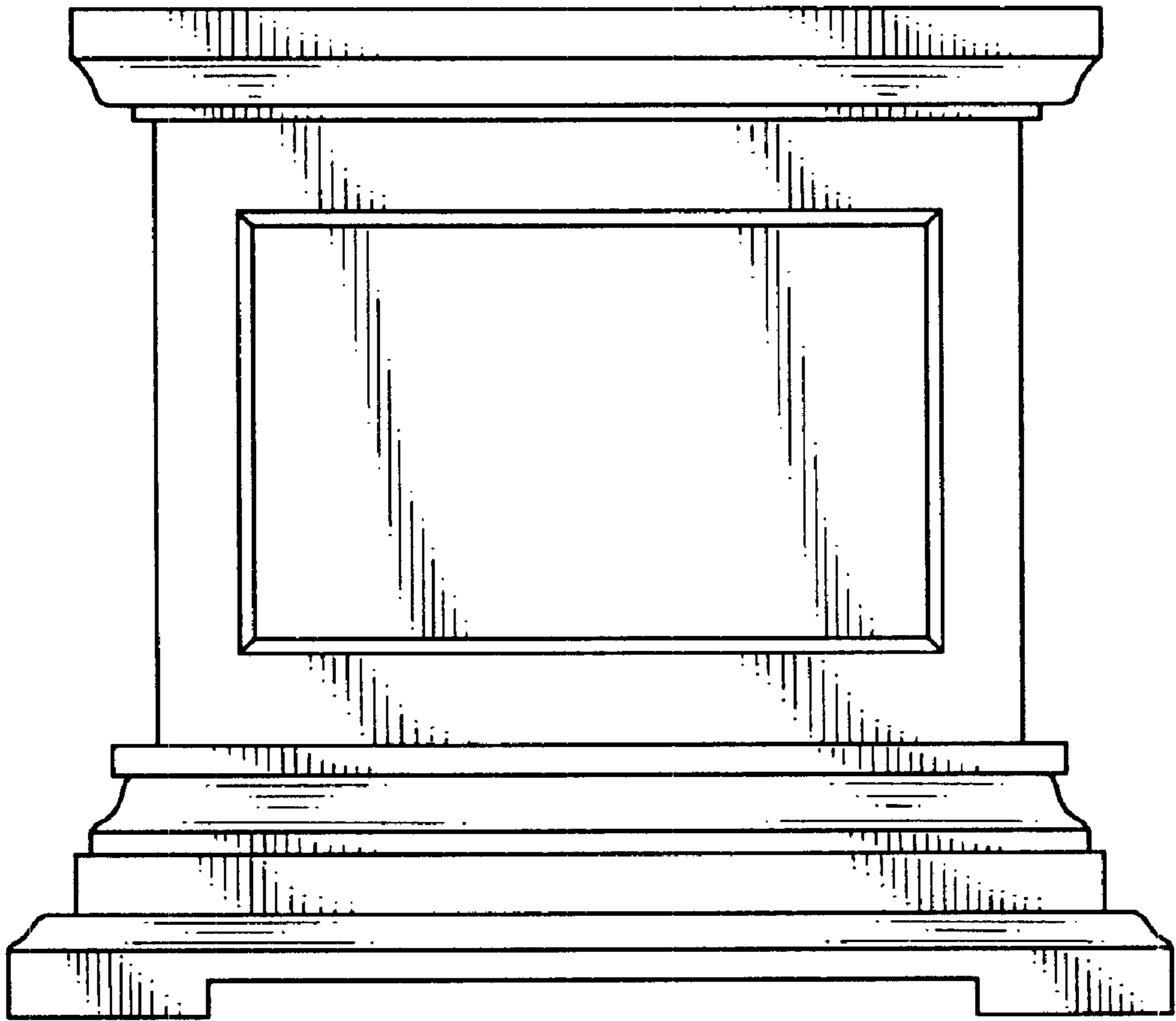


FIG. 2

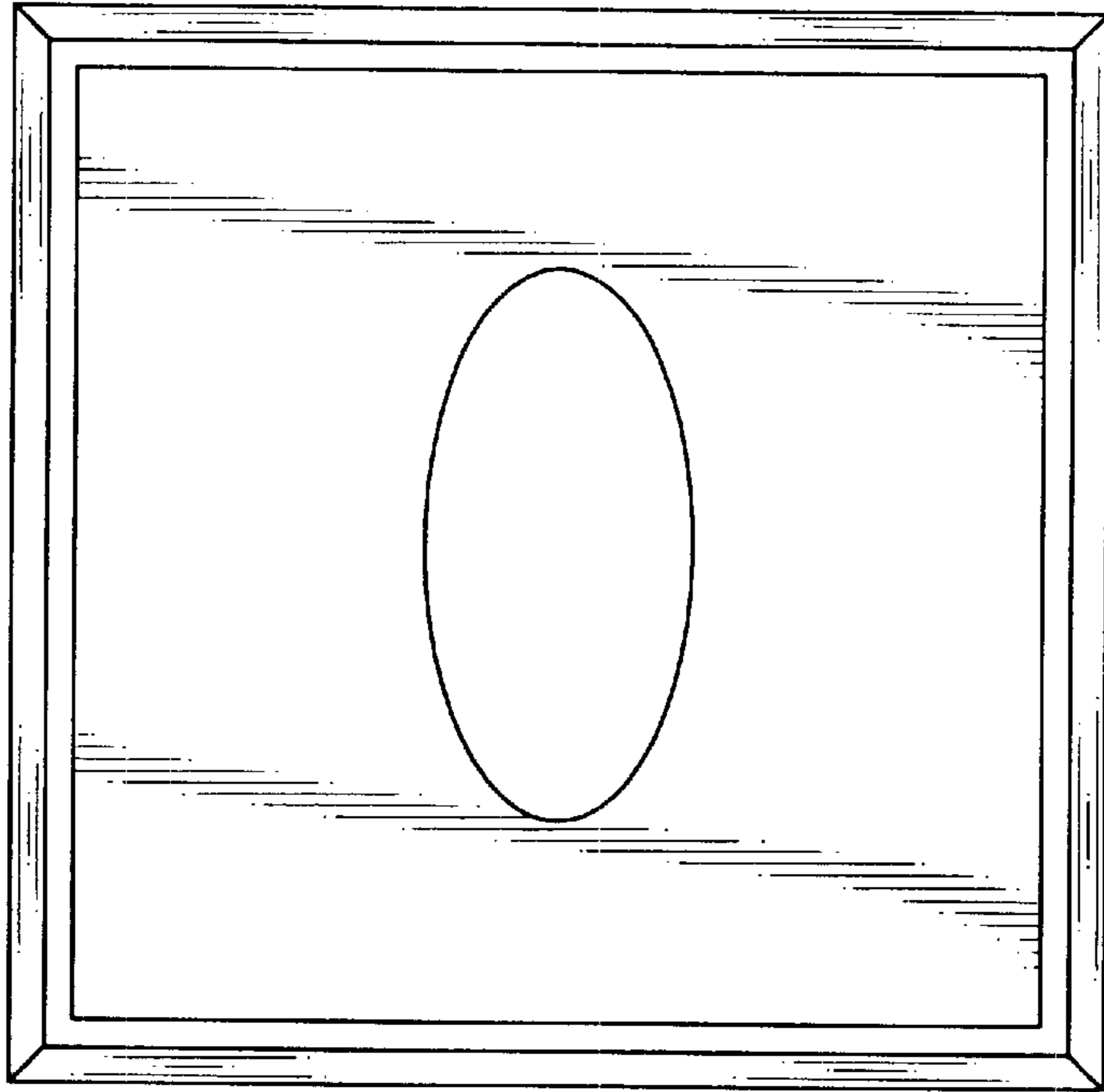


FIG. 3

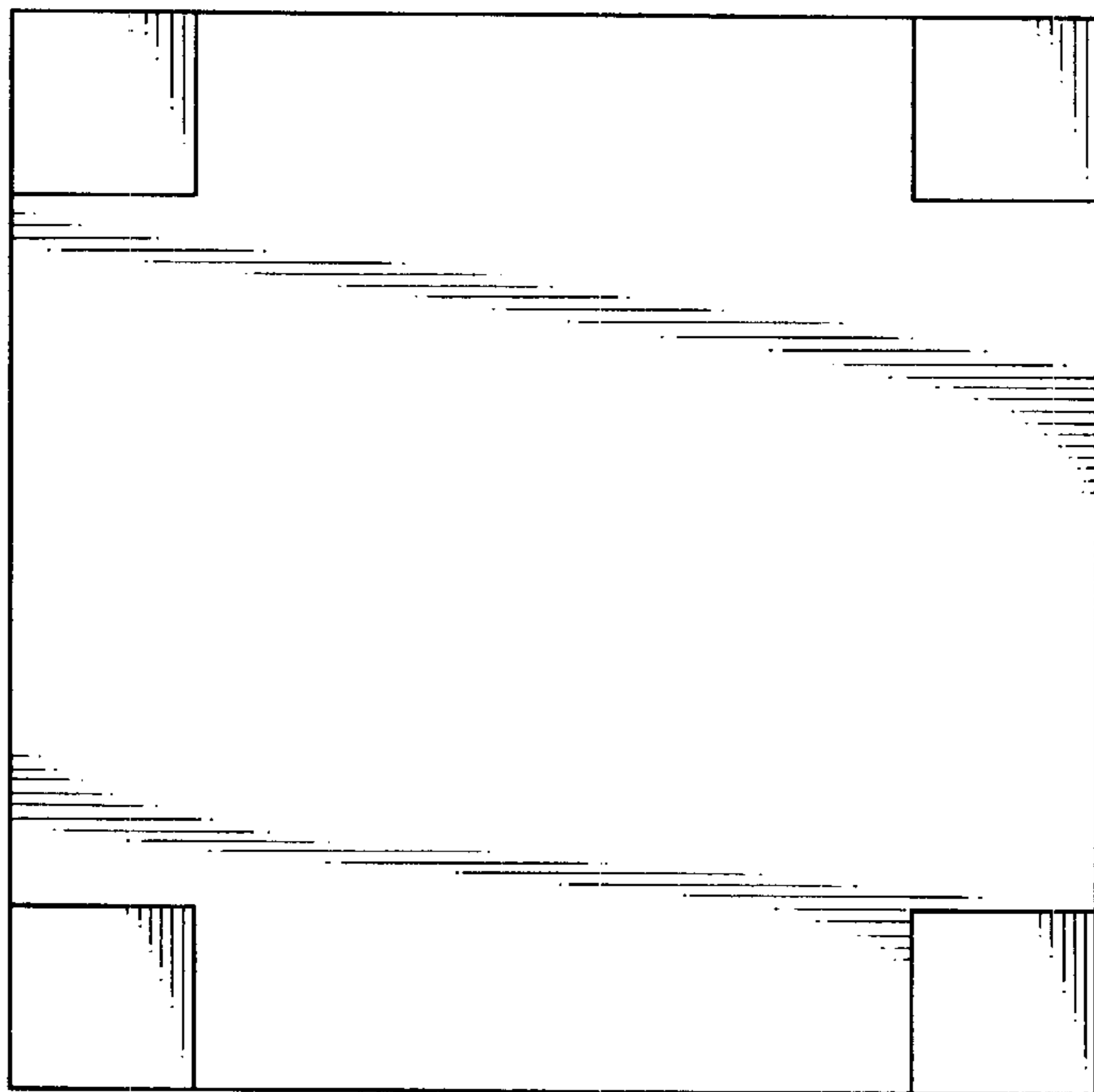


FIG. 4