



US00D459622S

(12) **United States Design Patent**
Lio et al.

(10) **Patent No.:** **US D459,622 S**

(45) **Date of Patent:** **** Jul. 2, 2002**

(54) **DRAWER FRONT**

D439,777 S * 4/2001 Laughton D6/510

(75) Inventors: **Stefano Lio**; **Christine Dominik**, both of Toronto; **Geoffrey Milligan**, East York, all of (CA)

* cited by examiner

Primary Examiner—Cathron C. Brooks
(74) *Attorney, Agent, or Firm*—Bereskin & Parr

(73) Assignee: **TK Canada Limited**, Downsview (CA)

(57) **CLAIM**

(**) Term: **14 Years**

The ornamental Design for a drawer front, as shown and described.

(21) Appl. No.: **29/138,817**

(22) Filed: **Mar. 21, 2001**

(30) **Foreign Application Priority Data**

Sep. 26, 2000 (CA) 2000-2576

(51) **LOC (7) Cl.** **06-06**

(52) **U.S. Cl.** **D6/510**

(58) **Field of Search** D6/396, 432-448, D6/510, 553, 559, 561, 569; 312/194, 196, 204, 213, 278, 279, 330.1, 348.3, 348.4

DESCRIPTION

FIG. 1 is a perspective view of a drawer front in accordance with a first embodiment of our Design; FIG. 2 is a front elevational view corresponding to FIG. 1; FIG. 3 is an elevational view from the right in FIG. 1; FIG. 4 is an elevational view from the left in FIG. 1; FIG. 5 is a rear elevational view corresponding to FIG. 1; FIG. 6 is a top plan view corresponding to FIG. 1; FIG. 7 is a bottom plan view corresponding to FIG. 1; FIG. 8 is a rear perspective view corresponding to FIG. 1; and, FIG. 9 is a view similar to FIG. 1 illustrating a second embodiment of our Design; the other views are the same as FIGS. 2 to 8 respectively.

The broken line showing of a drawer is for illustrative purposes only and forms no part of the claimed design.

(56) **References Cited**

U.S. PATENT DOCUMENTS

- D126,985 S * 5/1941 Miller D6/441
- D207,483 S * 4/1967 Dottinger D6/448
- D286,481 S * 11/1986 Case et al. D6/510
- D423,248 S * 4/2000 Sandy D6/422

1 Claim, 2 Drawing Sheets

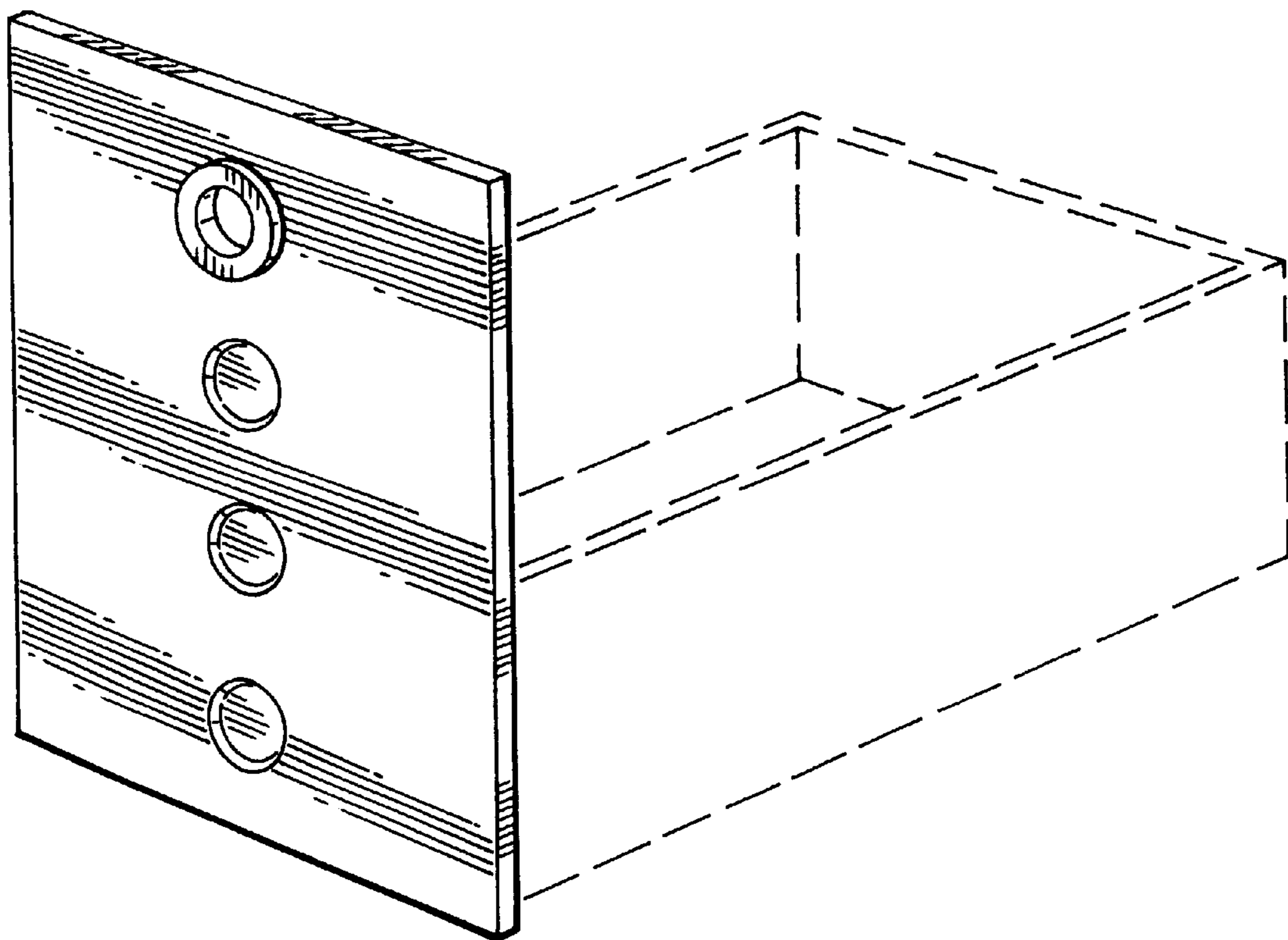


FIG. 1.

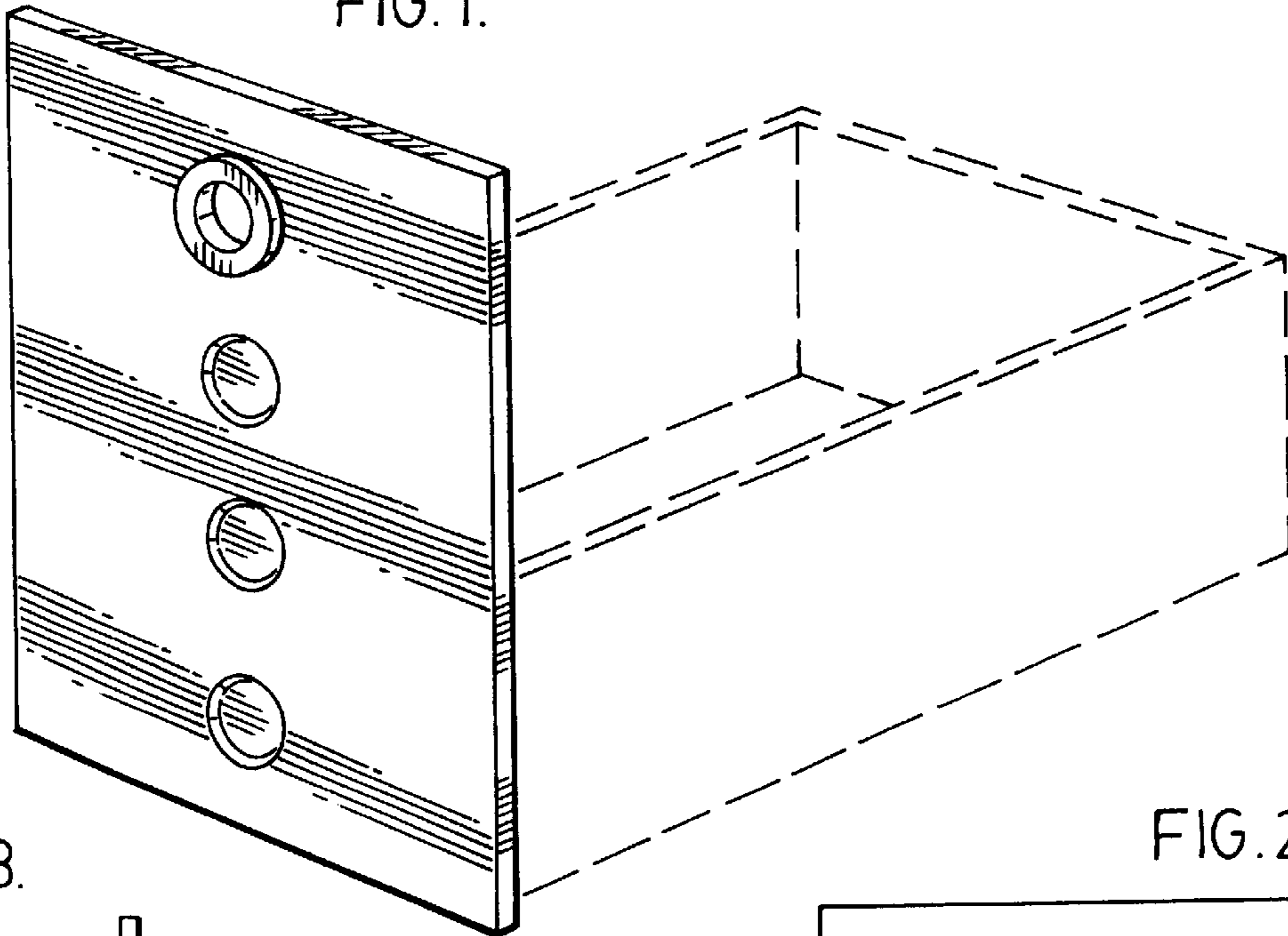


FIG. 2.

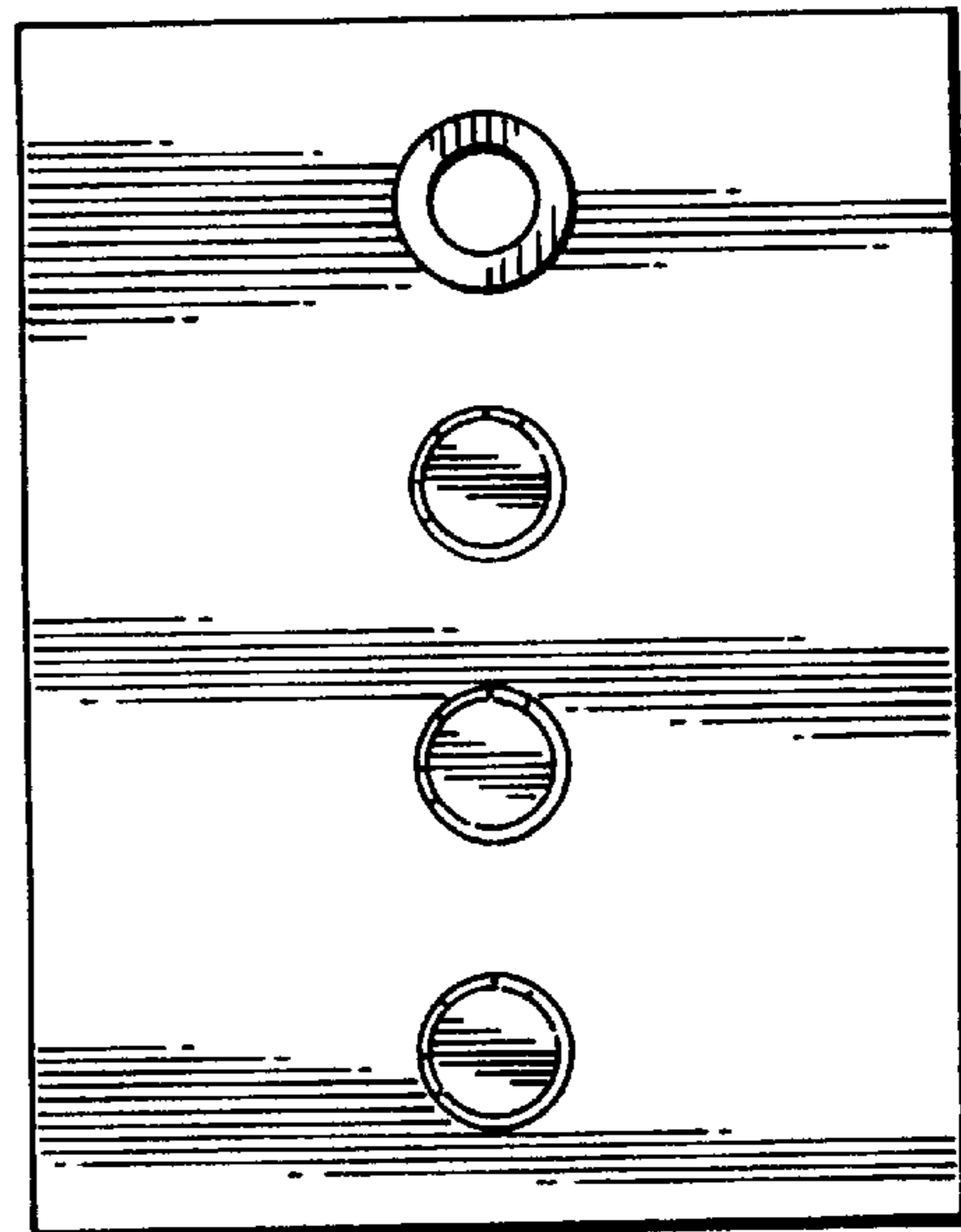


FIG. 3.

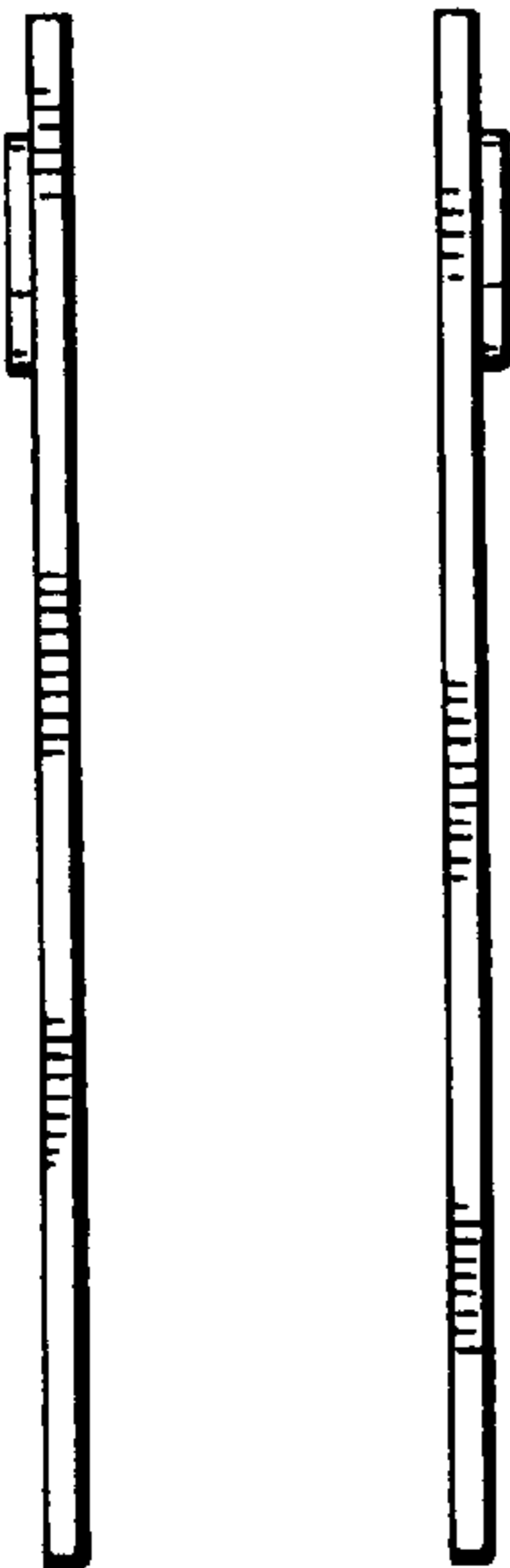


FIG. 4.

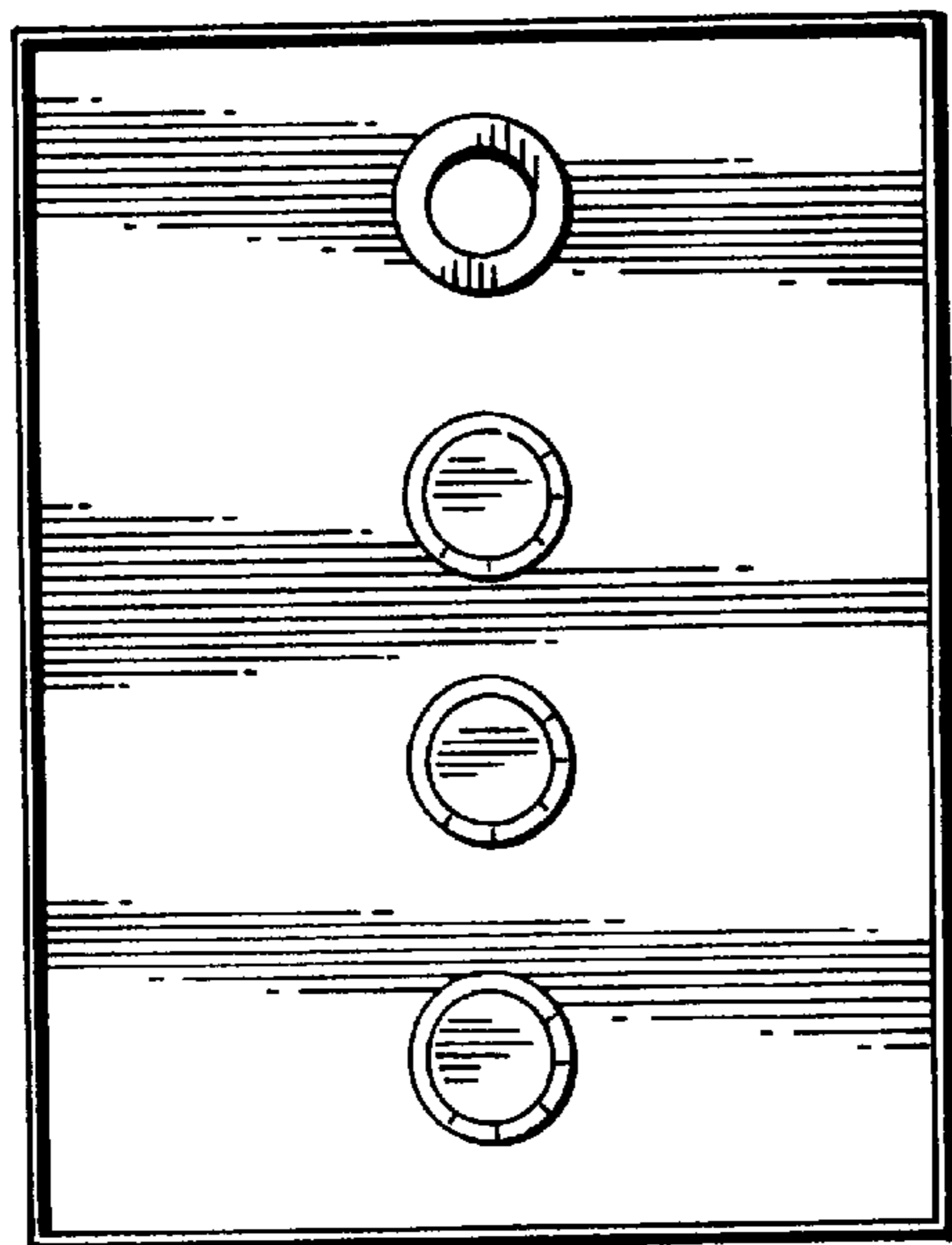


FIG. 5.

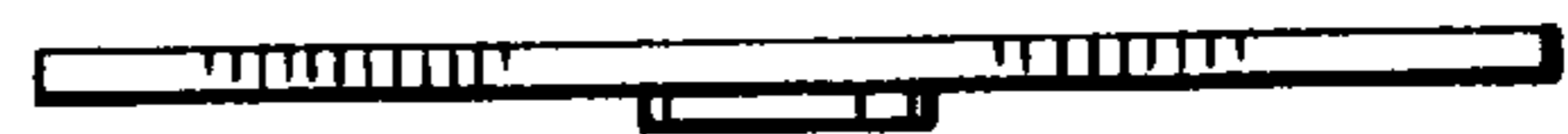


FIG. 6.

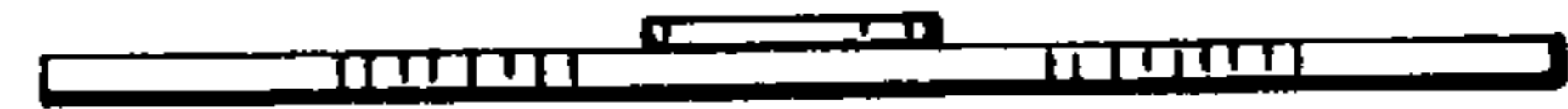


FIG. 7.

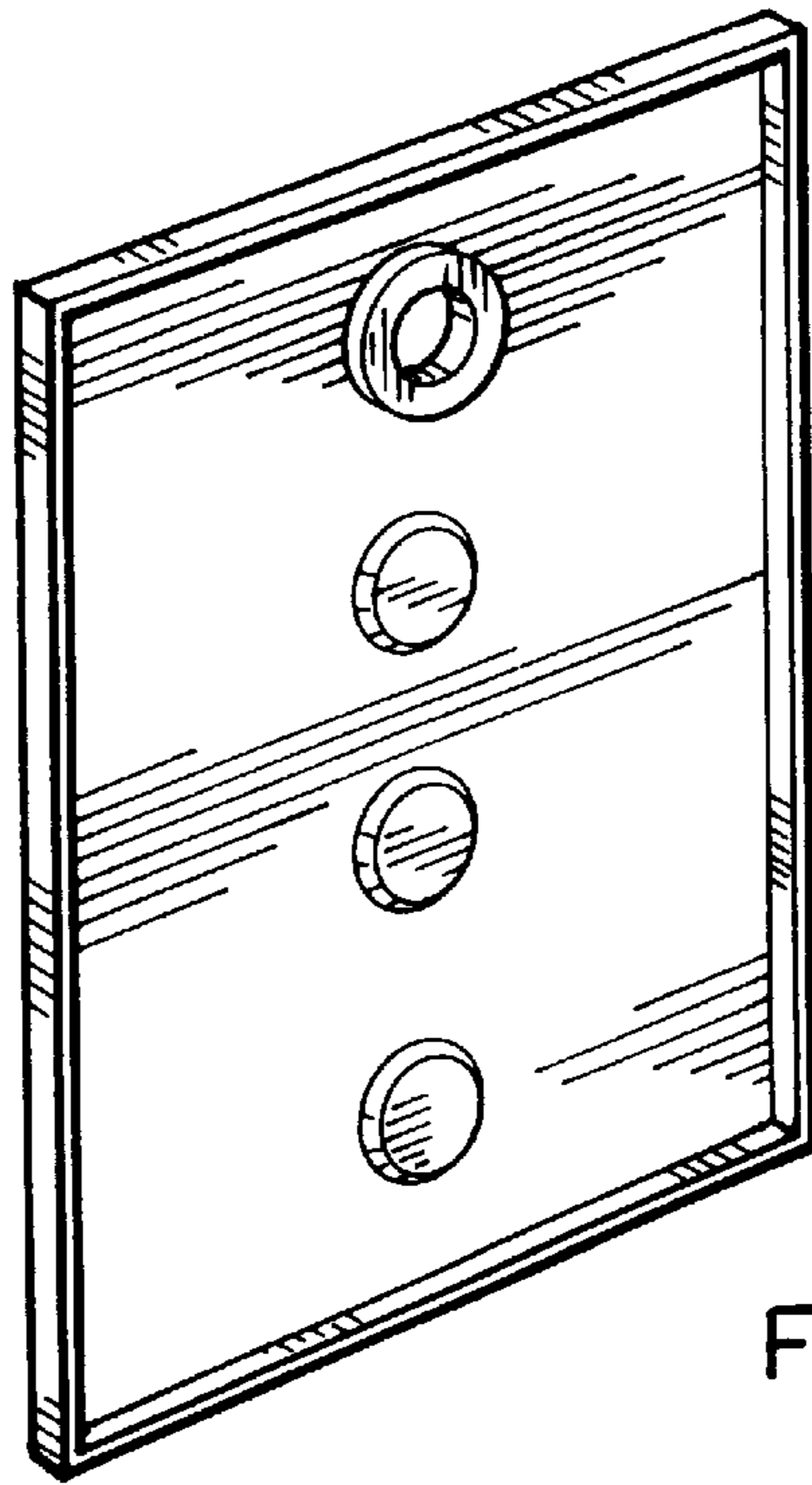


FIG. 8

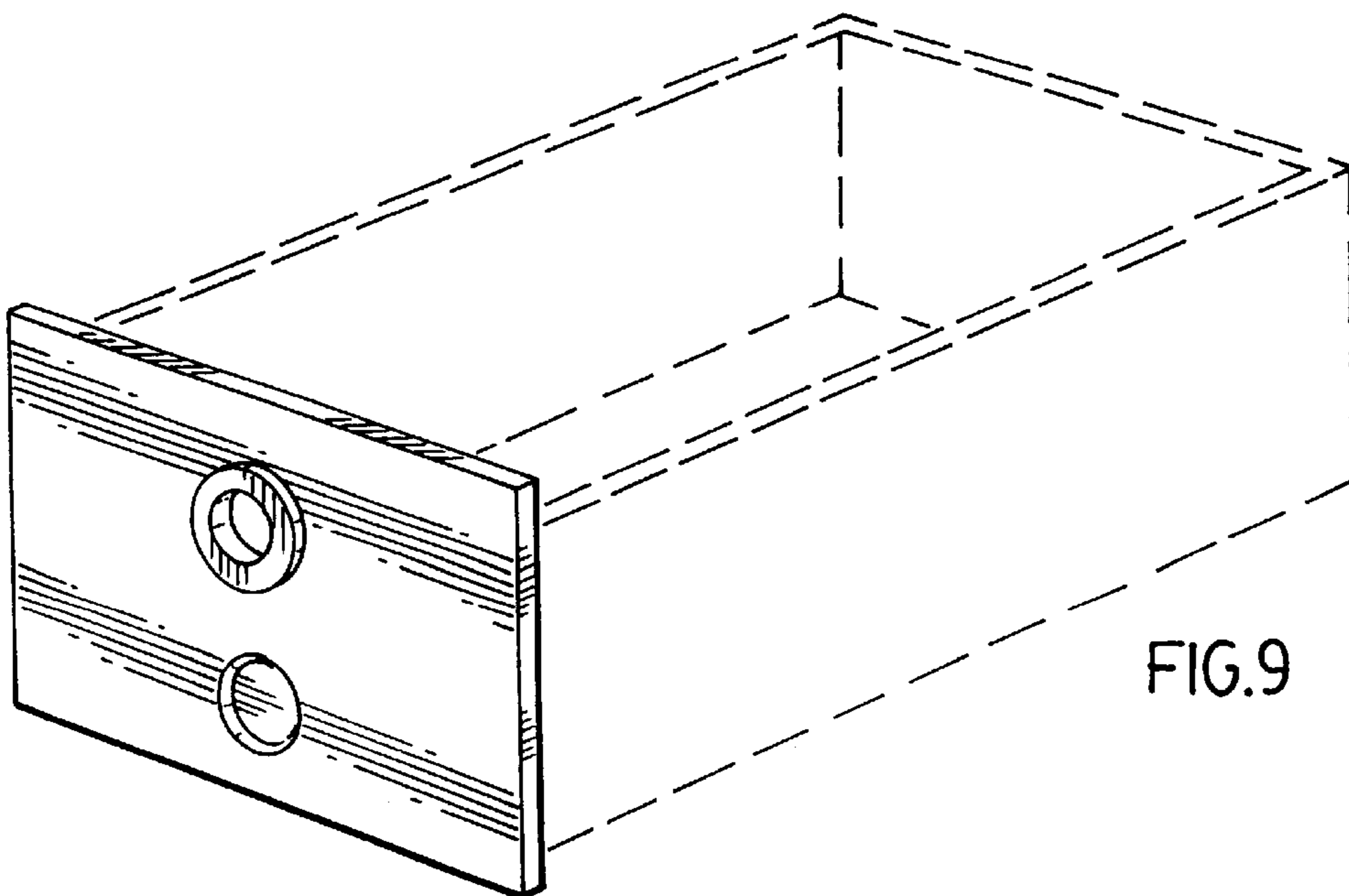


FIG. 9