



US00D459619S

(12) **United States Design Patent**
Glass

(10) **Patent No.:** **US D459,619 S**

(45) **Date of Patent:** **** Jul. 2, 2002**

(54) **OFFICE DESK WITH ORBITABLE SIDE TABLE**

(76) **Inventor:** **Peter R. Glass**, 50 Sage Way, Napa, CA (US) 94559

(**) **Term:** **14 Years**

(21) **Appl. No.:** **29/070,553**

(22) **Filed:** **May 9, 1997**

(51) **LOC (7) Cl.** **06-03**

(52) **U.S. Cl.** **D6/480; D6/423**

(58) **Field of Search** D6/480-489, 422-428, D6/495, 511; 108/153.1, 155, 156, 161, 50.01, 50.02, 64, 65, 59, 66; 312/194-196, 208.1

(56) **References Cited**

U.S. PATENT DOCUMENTS

D276,393 S	*	11/1984	Foyle	D6/483
D346,912 S	*	5/1994	Mezger	D6/423
D371,699 S	*	7/1996	Muller-Desig et al.	D6/482
D390,376 S	*	2/1998	Chang	D6/424

* cited by examiner

Primary Examiner—Janice E. Seeger

(57) **CLAIM**

The ornamental design of an office desk with orbitable side table, substantially as shown and described.

DESCRIPTION

FIG. 1 is a front perspective view of an office desk with orbitable side table showing my design with the orbiting side table pivoted outwardly;

FIG. 2 is a top plan view of the office desk design shown in FIG. 1;

FIG. 3 is a front plan view of the desk design shown in FIGS. 1 and 2;

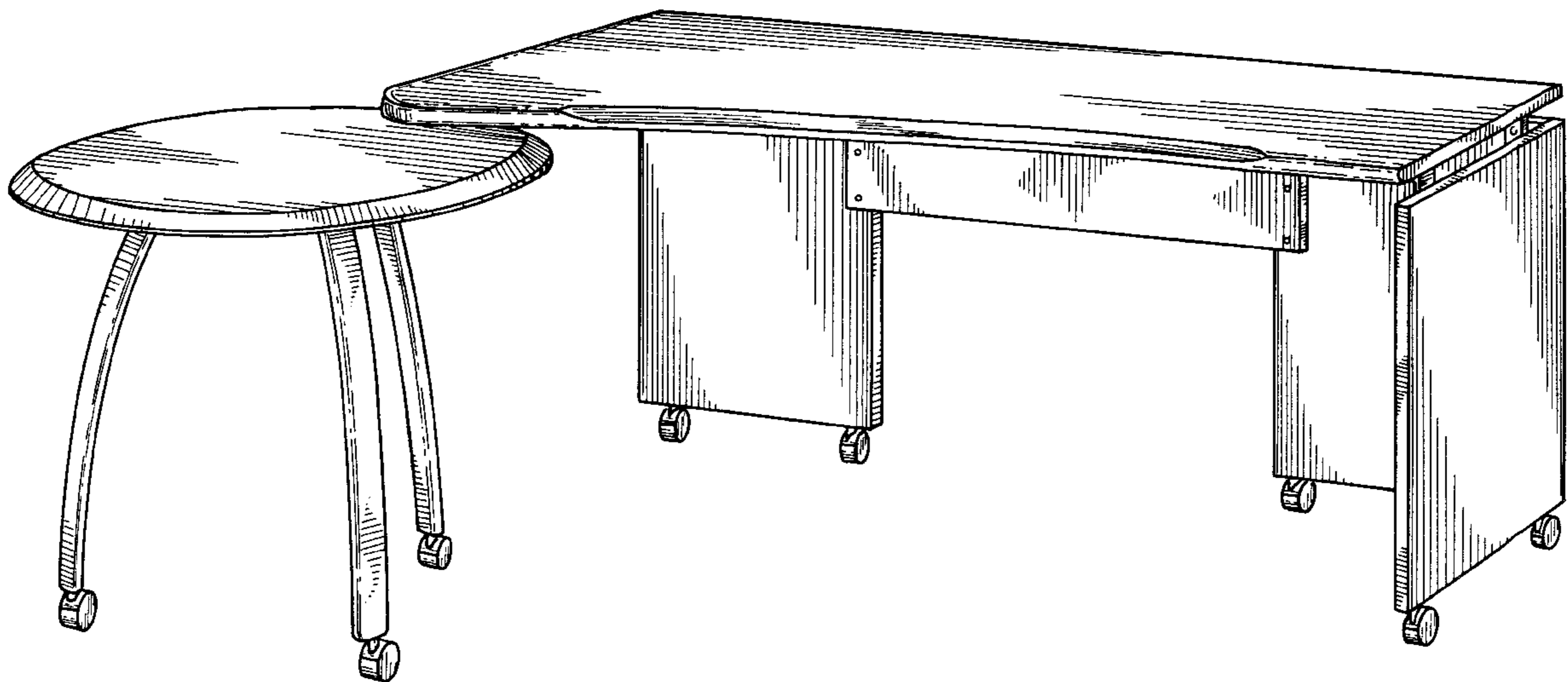
FIG. 4 is a left side elevational view of the desk design of FIGS. 1, 2 and 3; and,

FIG. 5 is a right side elevational view of the desk design shown in FIGS. 1 through 4.

The rear of the article not shown is not part of the claimed design.

The rear of the article not shown is not part of the claimed design.

1 Claim, 4 Drawing Sheets



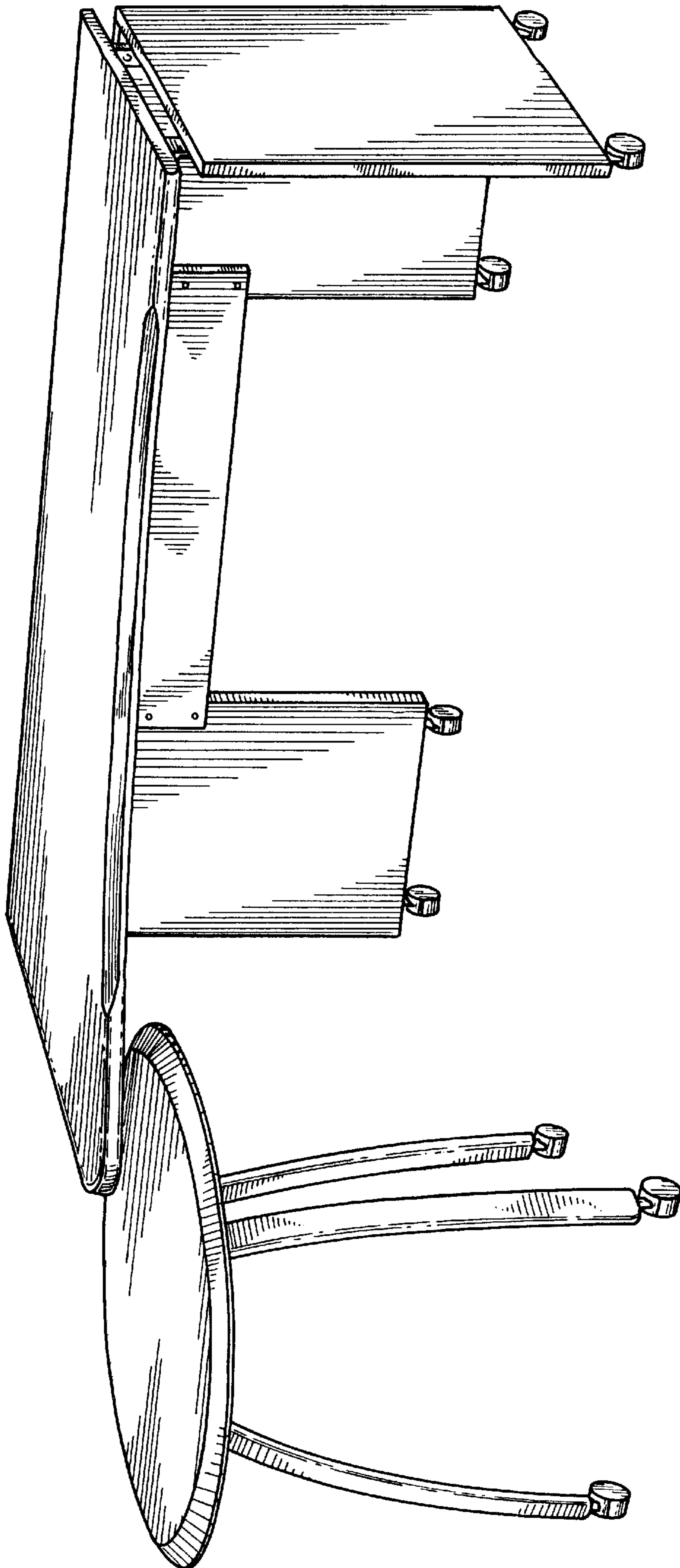


FIG. 1

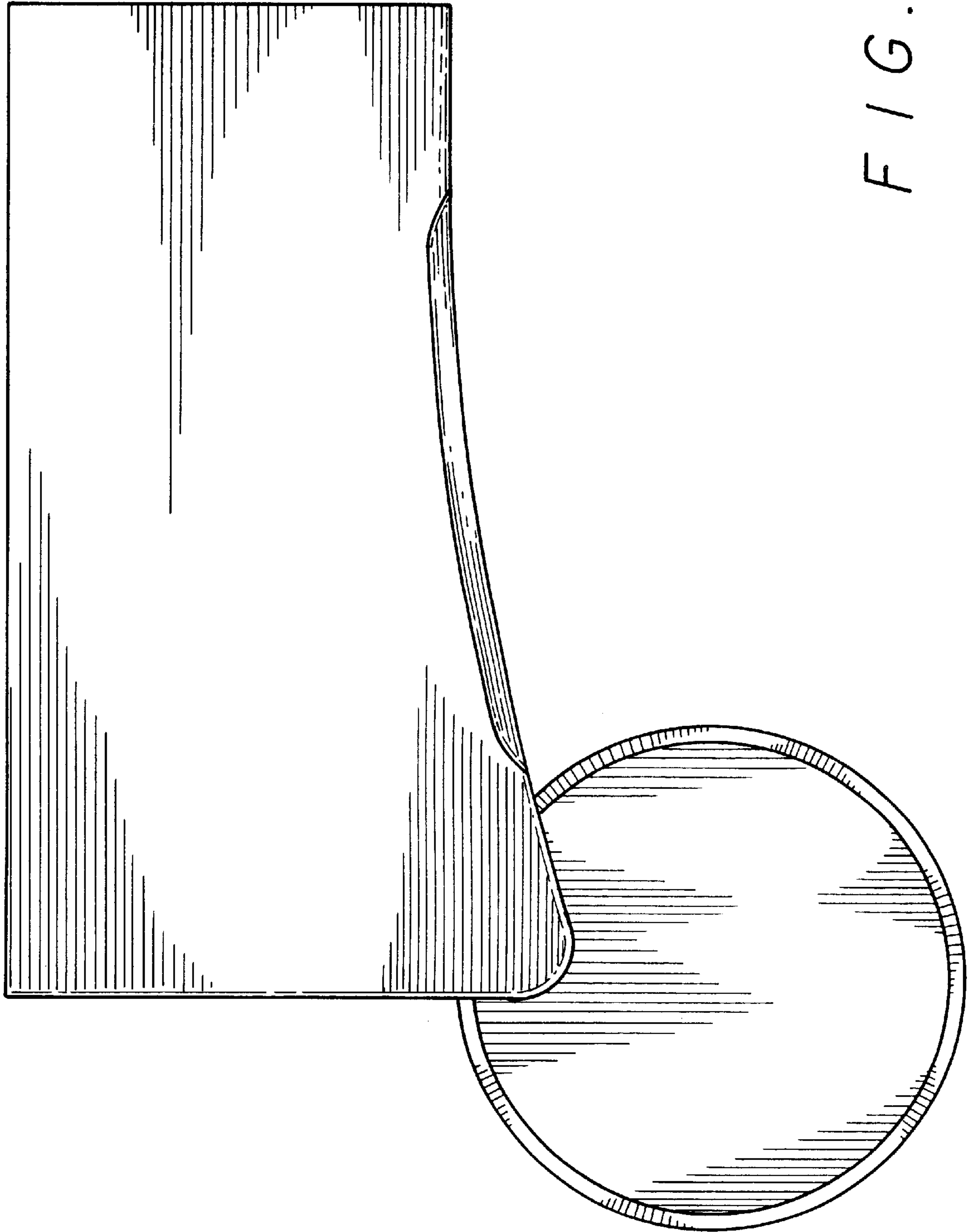


FIG. 2

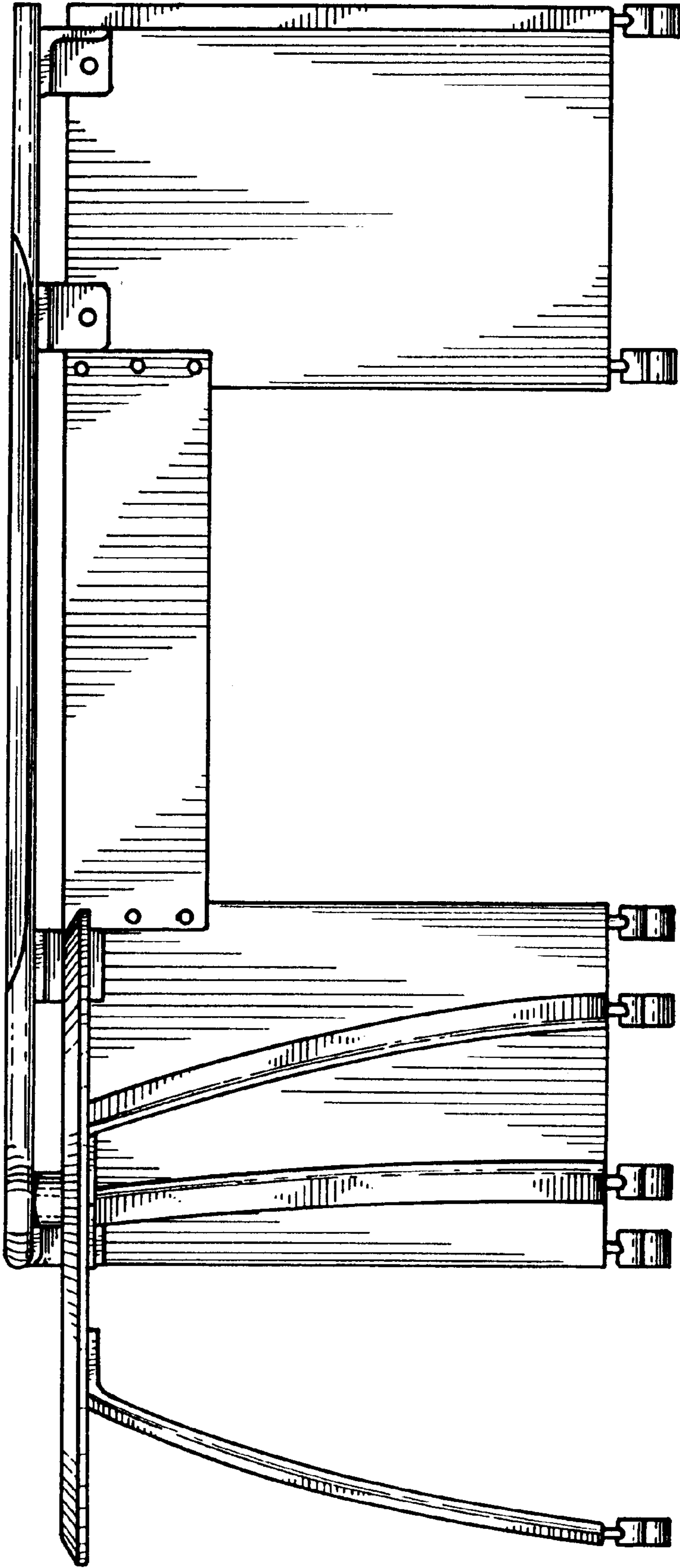


FIG. 3

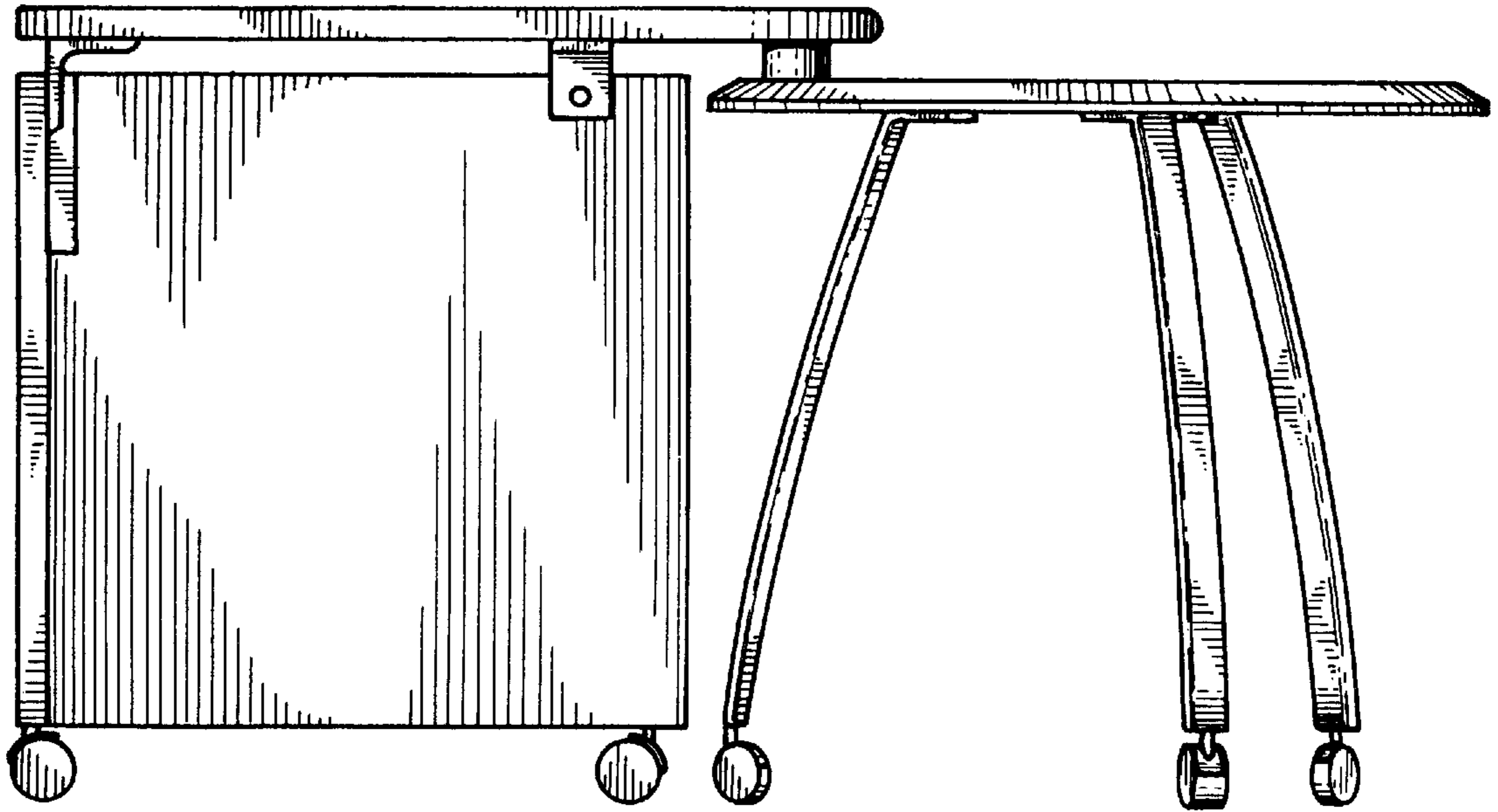


FIG. 4

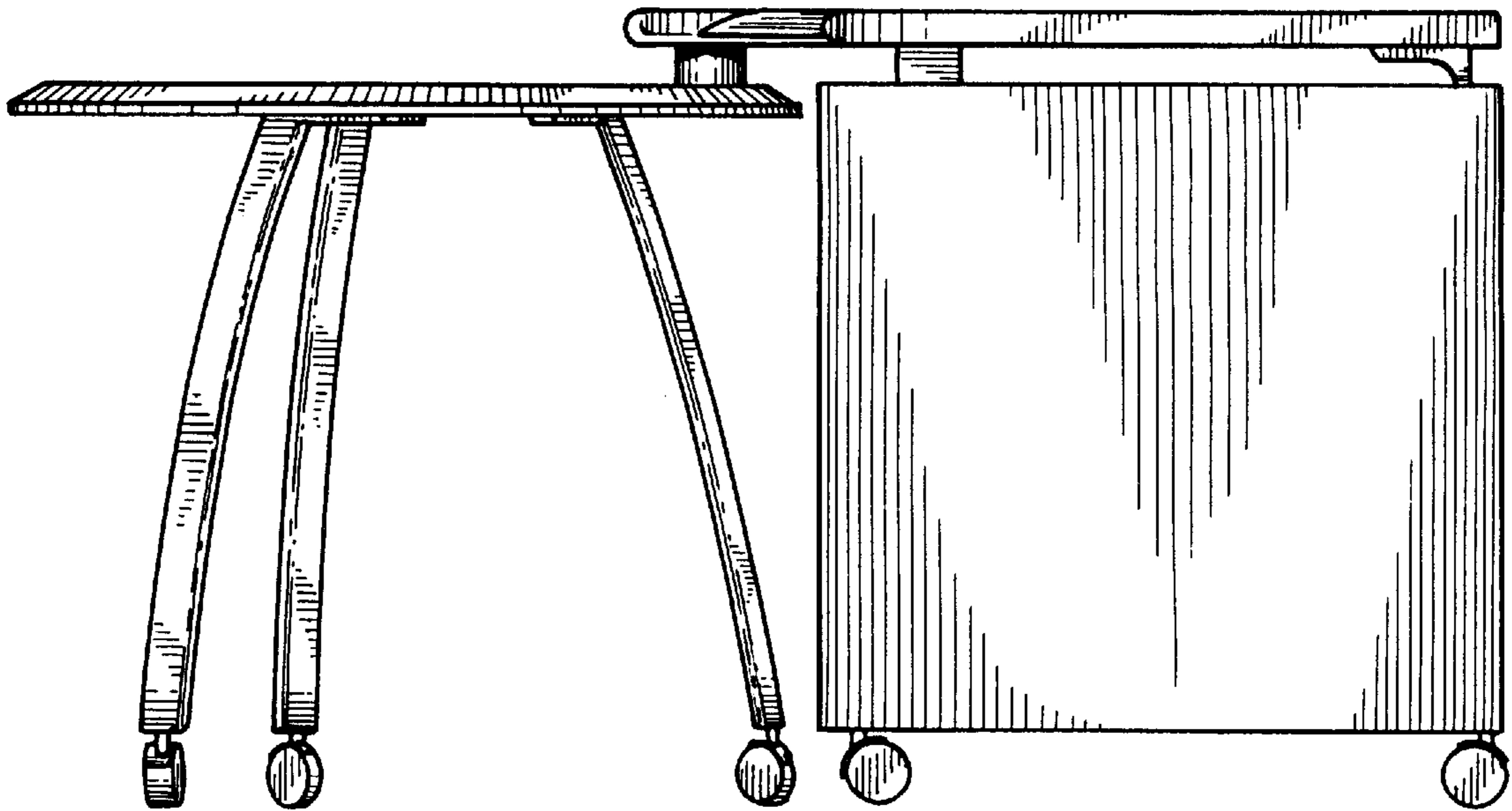


FIG. 5