



US00D459616S

(12) **United States Design Patent**
Bustos et al.

(10) **Patent No.:** **US D459,616 S**

(45) **Date of Patent:** **** Jul. 2, 2002**

(54) **DISPLAY RACK**

D242,591 S * 12/1976 Hurd D6/458

(75) Inventors: **Rafael T. Bustos**, Atlanta; **James Cha**,
Snellville, both of GA (US)

* cited by examiner

(73) Assignee: **L&P Property Management**
Company, South Gate, CA (US)

Primary Examiner—Cathron C. Brooks

(74) *Attorney, Agent, or Firm*—Michael Best & Friedrich
LLC

(**) Term: **14 Years**

(57) **CLAIM**

(21) Appl. No.: **29/152,553**

The ornamental design for a display rack, as shown and
described.

(22) Filed: **Dec. 20, 2001**

(51) **LOC (7) Cl.** **06-04**

(52) **U.S. Cl.** **D6/465; D6/468**

(58) **Field of Search** D6/407, 629, 630,
D6/631, 410-415, 449, 458, 459, 460-468;
108/59, 76, 91, 92, 102, 106, 108, 132;
206/307, 307.1, 308.1, 310, 387.15; 211/13.1,
34, 36-38, 40-41.12, 55-58, 74, 77, 78,
85.6, 126.9, 134, 144, 163, 181.1, 194;
312/9.1, 9.47-9.64, 348.3

DESCRIPTION

FIG. 1 is a perspective view of the front of the display rack.

FIG. 2 is a perspective view of the rear thereof.

FIG. 3 is a top plan view thereof.

FIG. 4 is a front elevation view thereof.

FIG. 5 is a side elevation view thereof, the other side of
which is a mirror image; and,

FIG. 6 is a rear elevation view thereof.

(56) **References Cited**

U.S. PATENT DOCUMENTS

3,223,247 A * 12/1965 Bleed 211/181.1

1 Claim, 3 Drawing Sheets

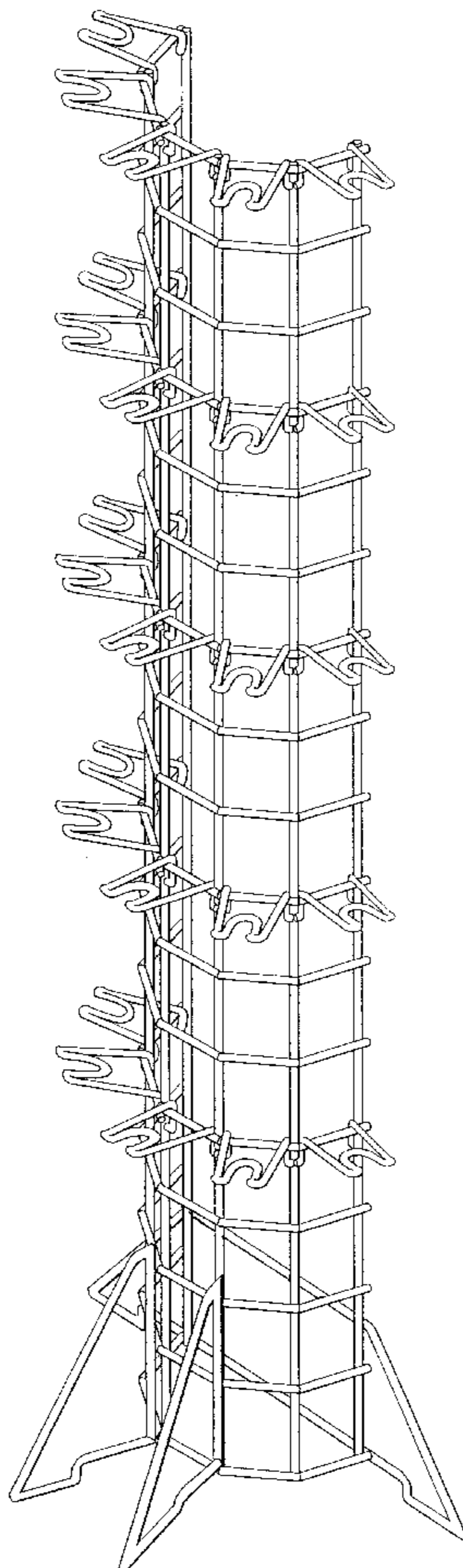


Fig. 1

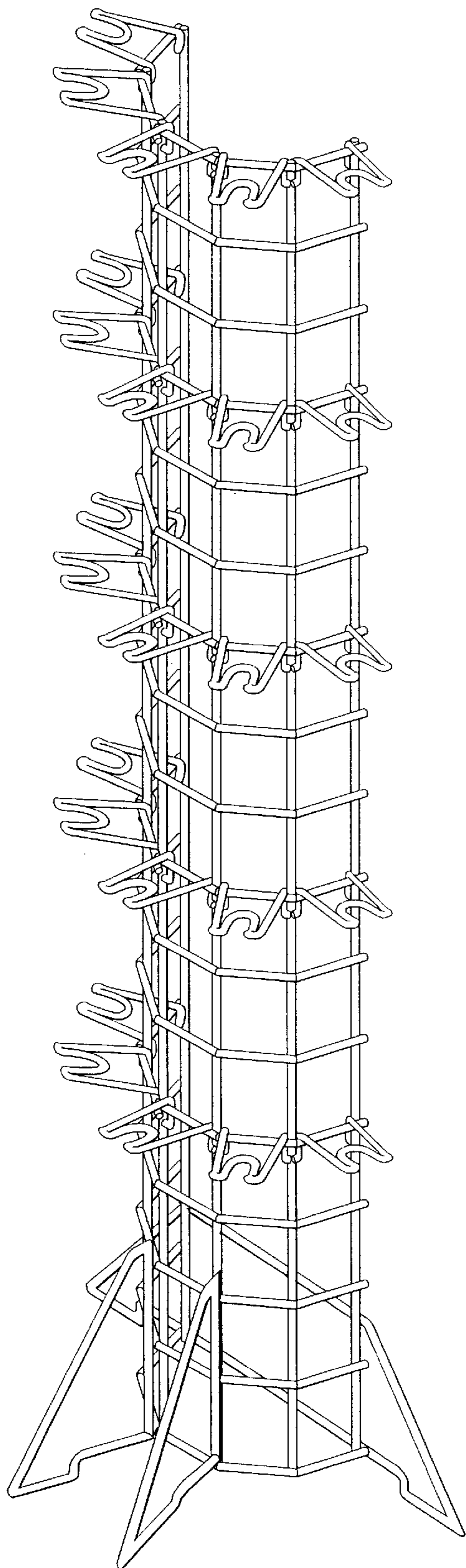


Fig. 2

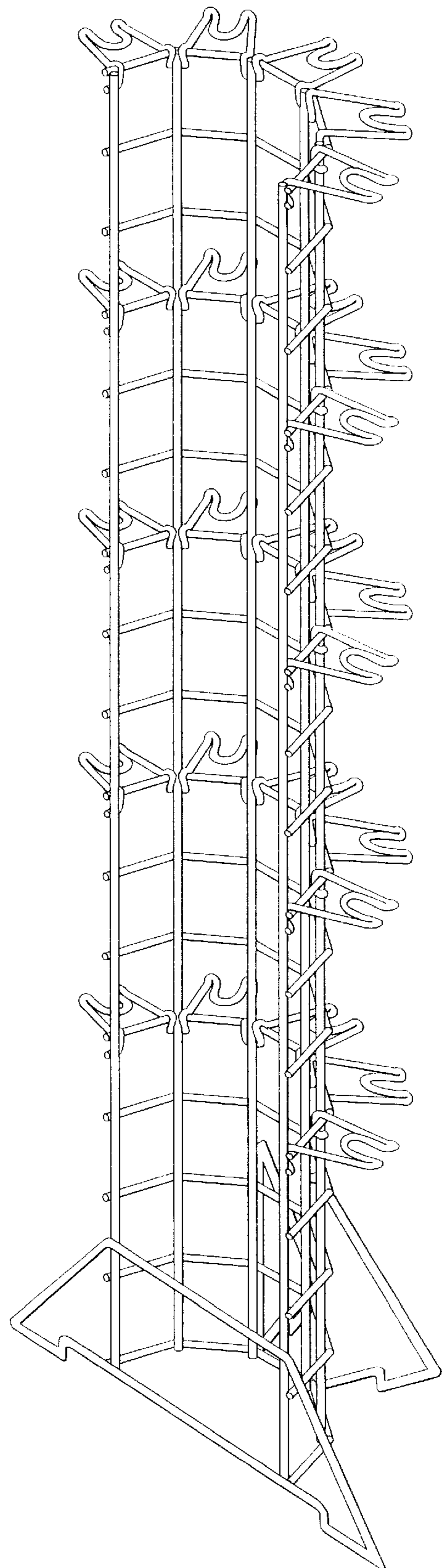


Fig. 3

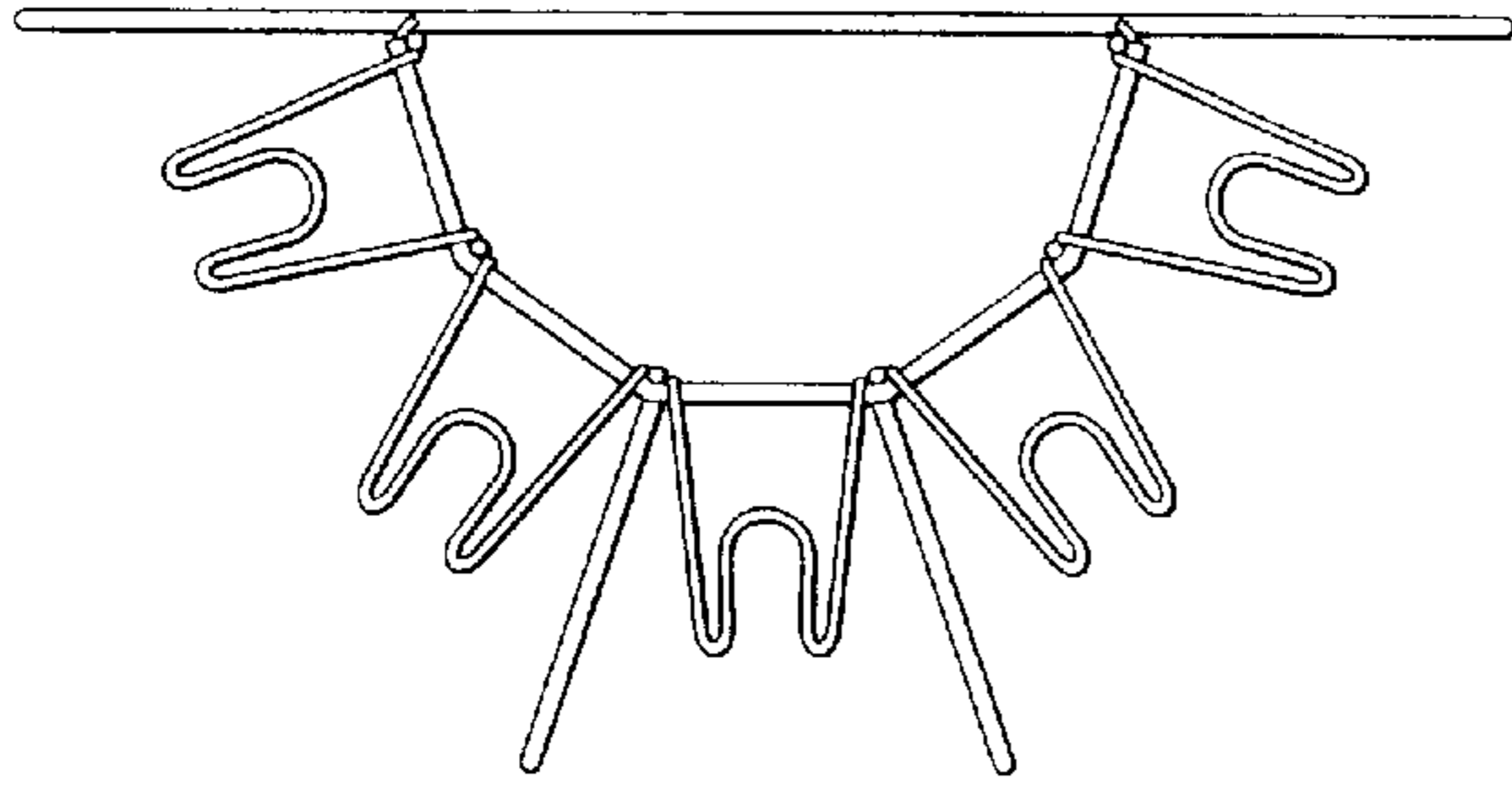


Fig. 4

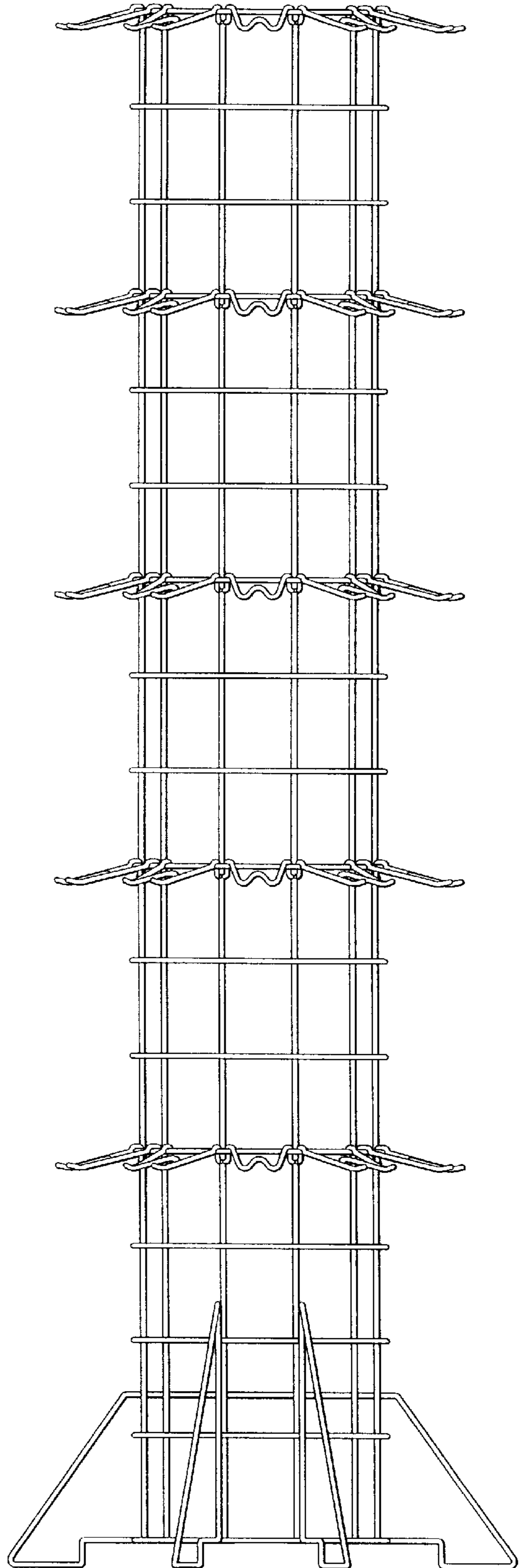


Fig. 5

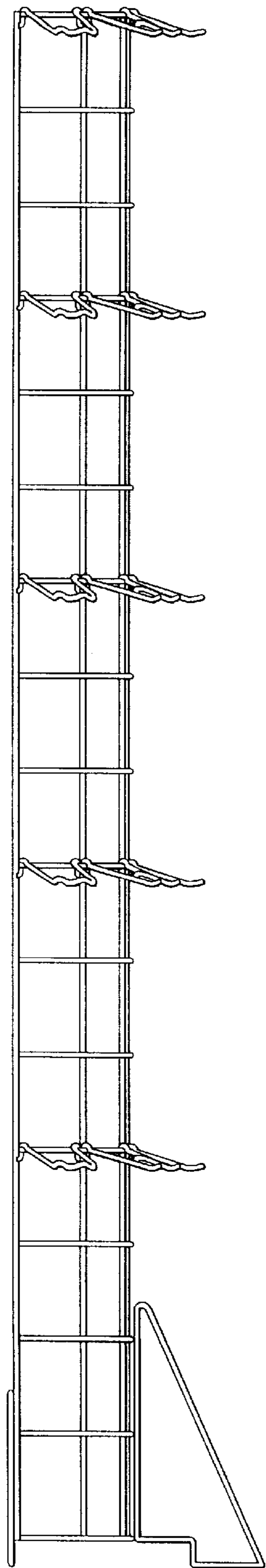


Fig. 6

