



US00D459610S

(12) **United States Design Patent** (10) **Patent No.:** **US D459,610 S**
Coonan et al. (45) **Date of Patent:** **** Jul. 2, 2002**

(54) **VERTICALLY ADJUSTABLE MOBILE
COMPUTER WORKSTATION**

(75) Inventors: **Gary Coonan**, Rockvale; **Gary L. Mayes**, Murfreesboro; **Donald Ray Reckelhoff**, Antioch, all of TN (US)

(73) Assignee: **Stinger Industries, LLC**, Murfreesboro, TN (US)

(**) Term: **14 Years**

(21) Appl. No.: **29/151,144**

(22) Filed: **Nov. 1, 2001**

4,640,199 A	2/1987	Zigman	
5,072,999 A	12/1991	Trotta et al.	
5,271,669 A	12/1993	Pearlson	
5,364,177 A	11/1994	Ugalde	
D360,545 S	7/1995	Lechman	
5,450,800 A	9/1995	Leonard	
5,480,224 A	1/1996	Ugalde	
D367,271 S	2/1996	Roberts	
5,489,938 A	2/1996	Maruyama et al.	
D370,795 S	* 6/1996	Skov et al. D6/420
D371,255 S	7/1996	Richard	
5,771,613 A	* 6/1998	Geils et al. 38/102.21
5,806,943 A	* 9/1998	Dell et al. 312/223.3
5,913,582 A	6/1999	Coonan	

* cited by examiner

Related U.S. Application Data

(62) Division of application No. 29/110,239, filed on Sep. 1, 1999.

(51) **LOC (7) Cl.** **06-03**

(52) **U.S. Cl.** **D6/429; D6/419; D6/486**

(58) **Field of Search** D6/422-429, 419, D6/420, 495, 498; 312/194-196, 204, 208.1; 108/50.01, 50.02, 150, 65, 77, 67, 33-35, 38, 40, 25, 110, 239

(56) **References Cited**

U.S. PATENT DOCUMENTS

D51,489 S	* 11/1917	Von Carlsberg D6/419
D193,858 S	10/1962	Chapman et al.	
4,073,556 A	2/1978	Wilson, Jr.	
D267,837 S	* 2/1983	Migani et al. D6/420

Primary Examiner—Janice E. Seeger
(74) *Attorney, Agent, or Firm*—Liell & McNeil

(57) **CLAIM**

The ornamental design for a vertically adjustable mobile computer workstation, as shown and described.

DESCRIPTION

FIG. 1 is an isometric view of the vertically adjustable mobile computer workstation in a mid-range position. FIG. 2 is a rear view of the FIG. 1 embodiment of the vertically adjustable mobile computer workstation in the fully raised position; and, FIG. 3 is a rear view of the FIG. 1 embodiment of the vertically adjustable mobile computer workstation in the fully lowered position.

1 Claim, 3 Drawing Sheets

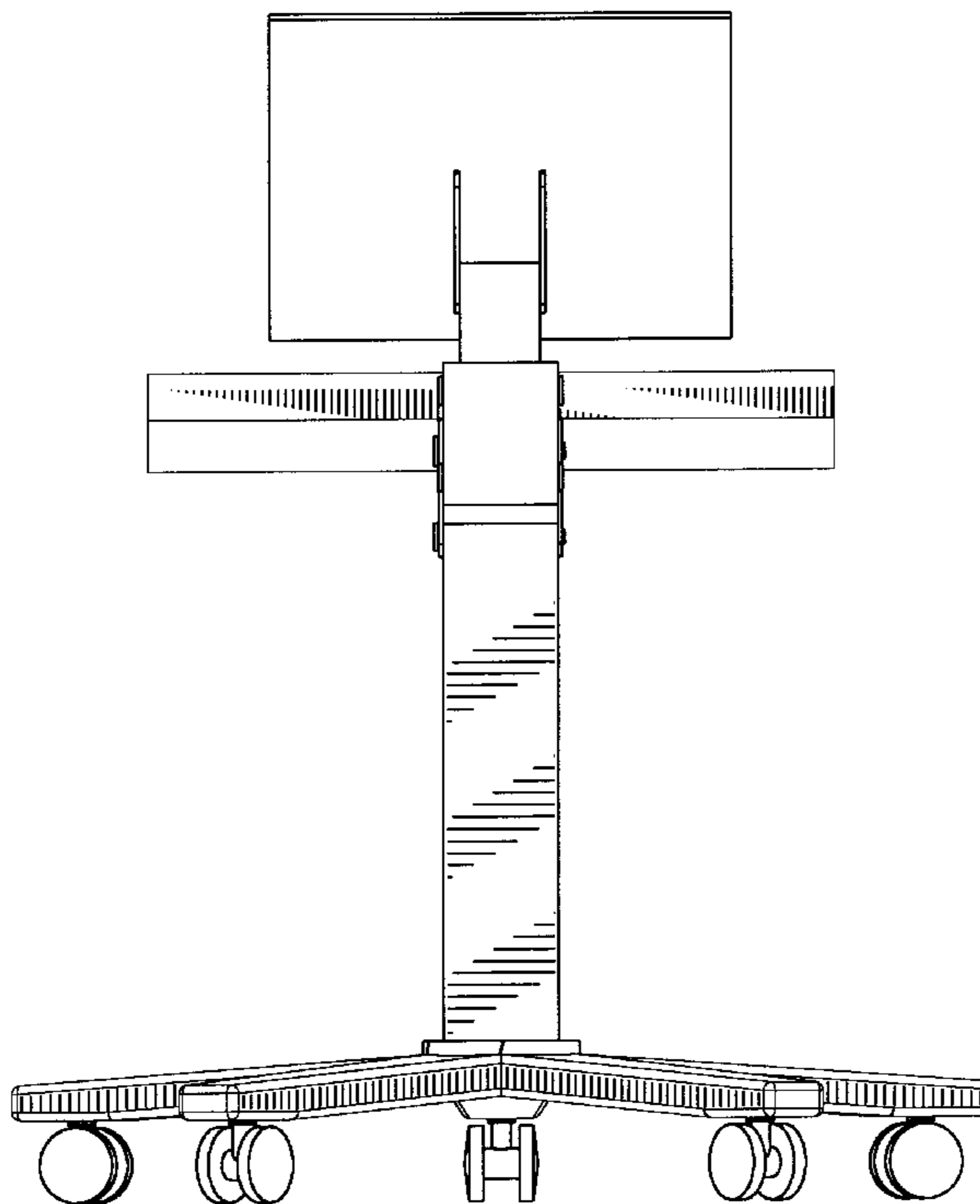


Fig 1

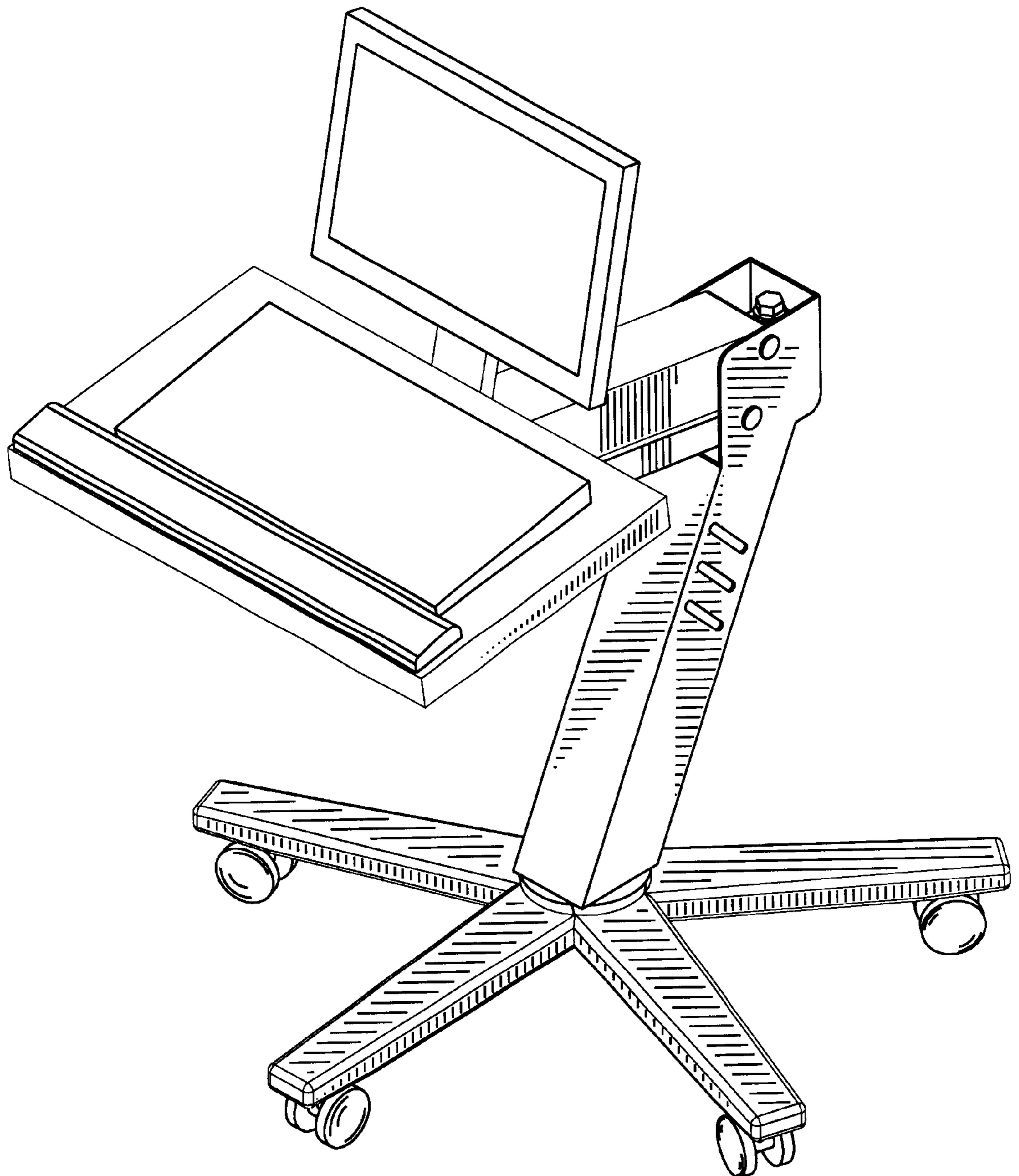


Fig 2

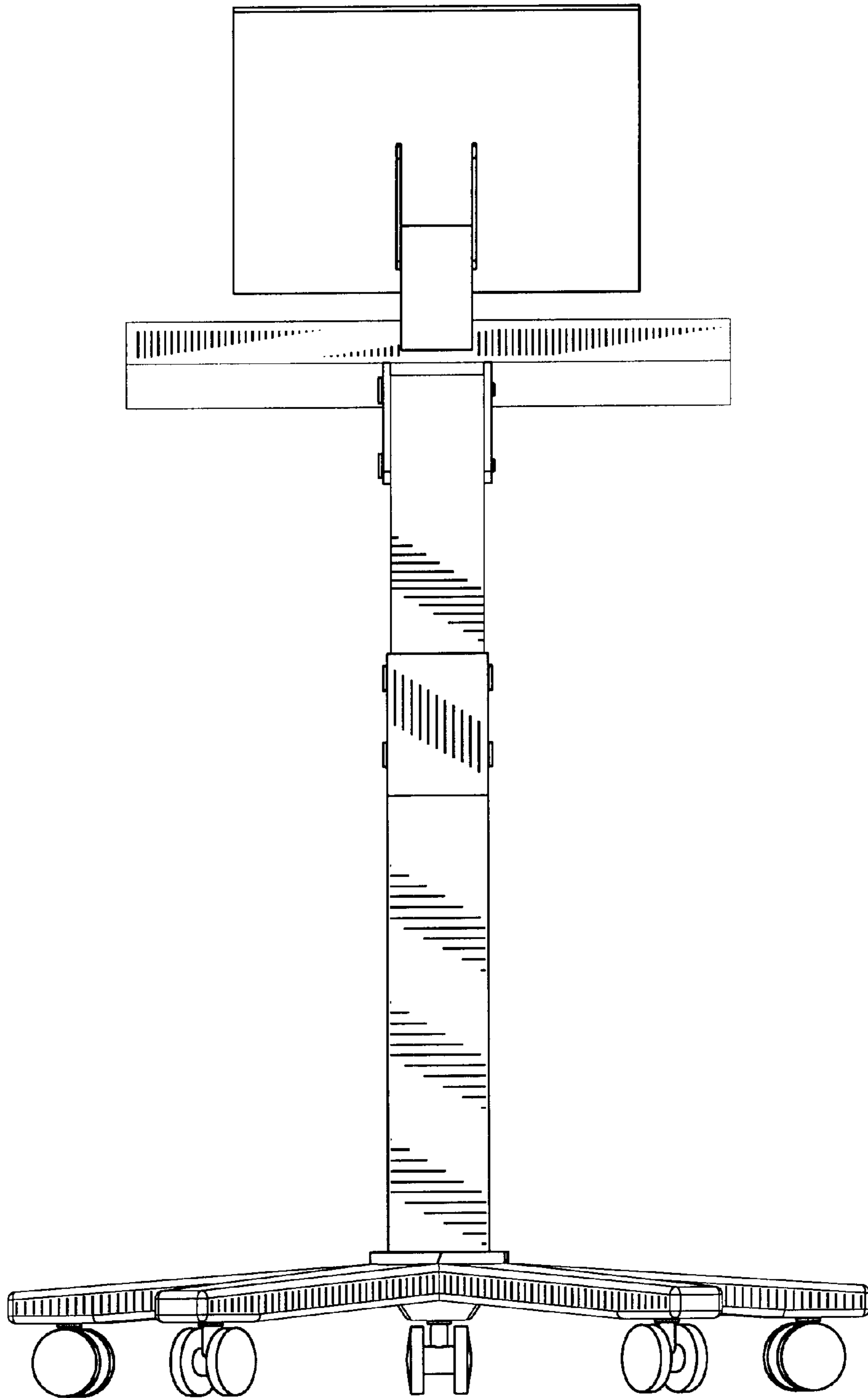


Fig 3

