



US00D459609S

(12) **United States Design Patent**
Raff

(10) **Patent No.:** **US D459,609 S**

(45) **Date of Patent:** **** Jul. 2, 2002**

(54) **MUSIC STAND**

D367,971 S * 3/1996 Lynn D6/419
D416,707 S * 11/1999 Plainfield D6/419

(76) Inventor: **William Carl Raff**, 11119 Ringwood Ave., Santa Fe Springs, CA (US) 90670

* cited by examiner

(**) Term: **14 Years**

Primary Examiner—Janice E. Seeger

(21) Appl. No.: **29/138,409**

(57) **CLAIM**

(22) Filed: **Mar. 12, 2001**

The ornamental design for a music stand, as shown.

(51) **LOC (7) Cl.** **06-06**

DESCRIPTION

(52) **U.S. Cl.** **D6/419**

FIG. 1 is a front elevational view.
FIG. 2 is a rear elevational view.
FIG. 3 is a left side elevational view.
FIG. 4 is a right side elevational view.
FIG. 5 is a rear isometric view.
FIG. 6 is a front isometric view.
FIG. 7 is a top plan view; and,
FIG. 8 is a bottom plan view.

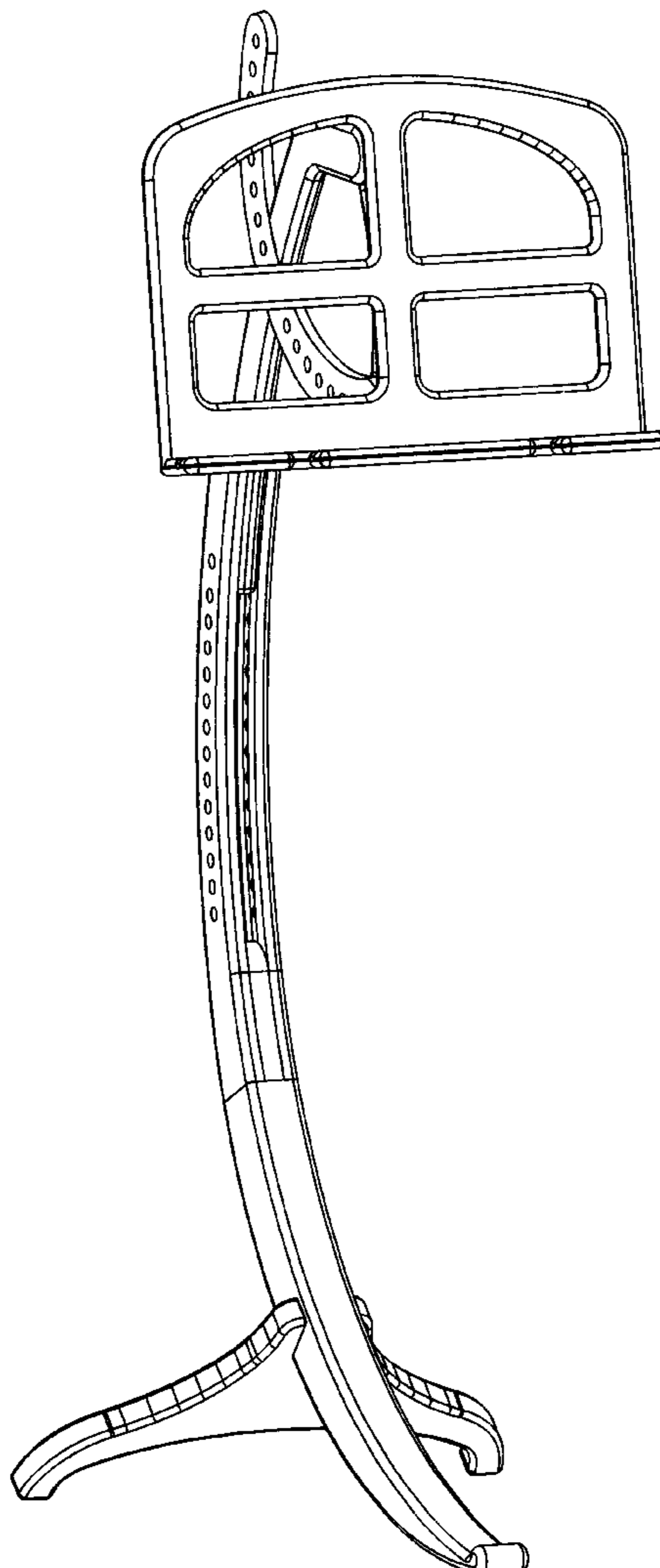
(58) **Field of Search** D6/419, 420, 495-499,
D6/312; 248/441.1, 448, 454, 456, 457,
458

(56) **References Cited**

U.S. PATENT DOCUMENTS

D201,026 S * 5/1965 Wiese D6/419
D226,699 S * 4/1973 Blain D6/419
5,112,021 A * 5/1992 Greene 248/444.1

1 Claim, 7 Drawing Sheets



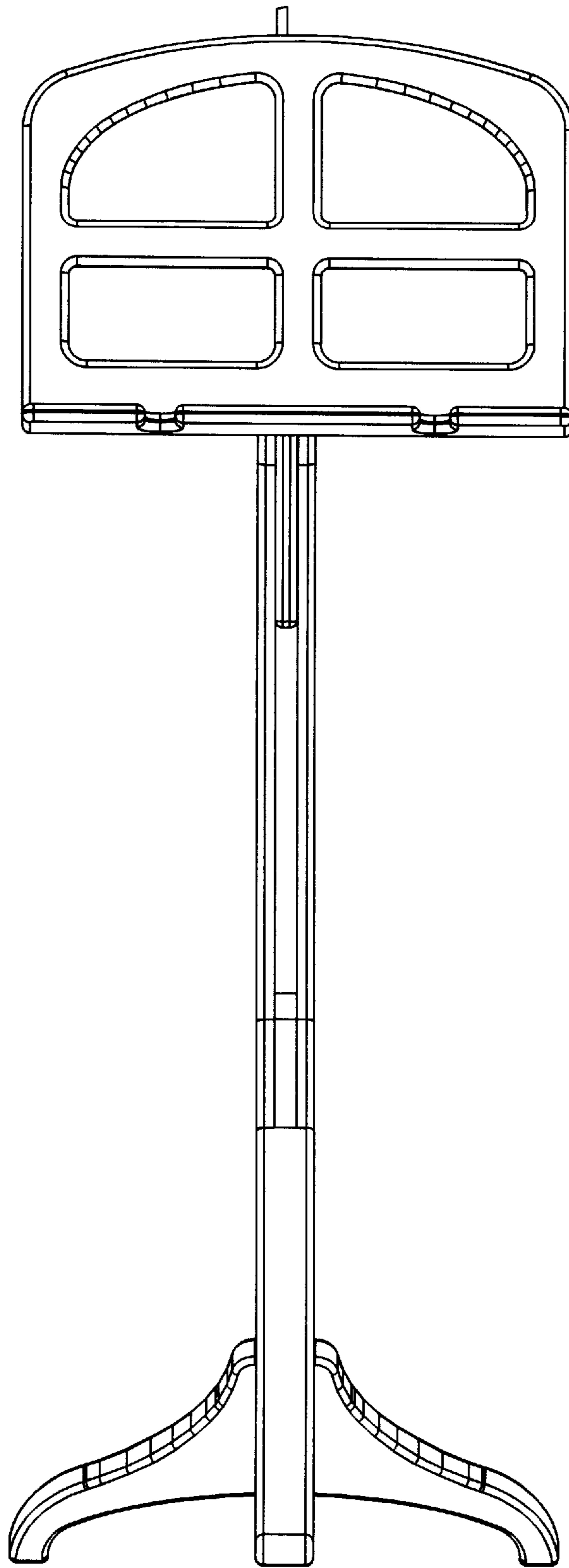


Fig. 1

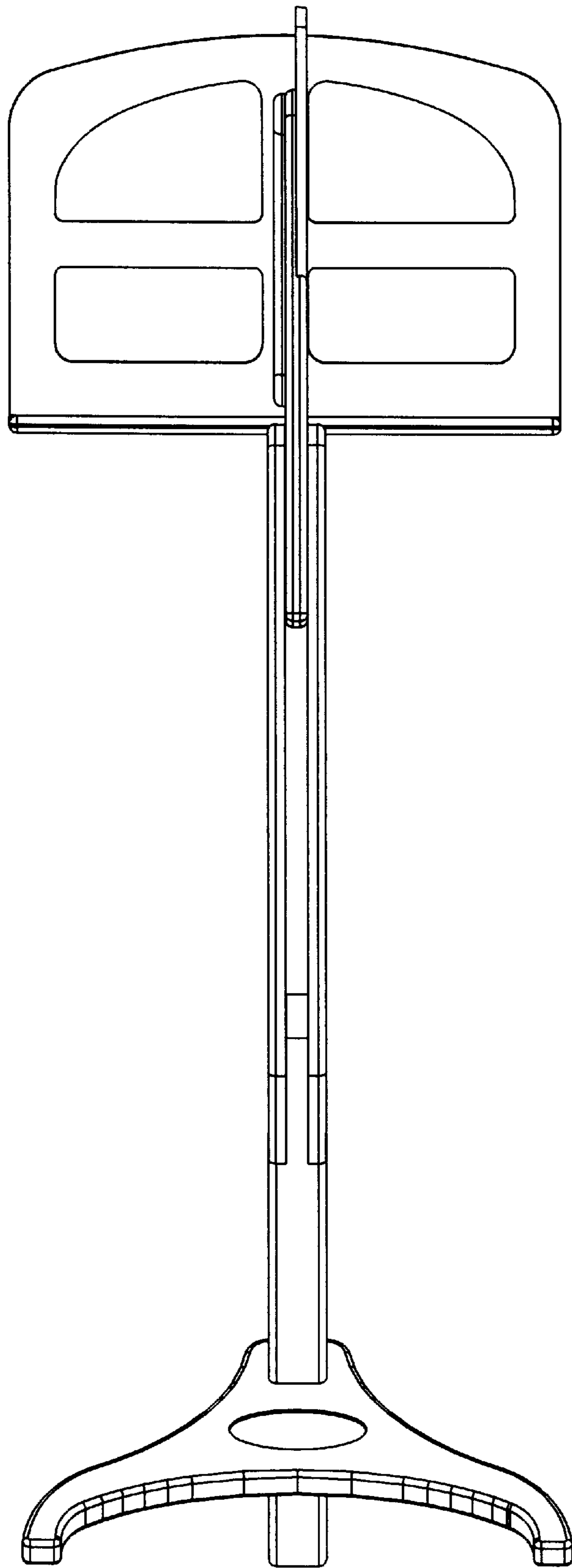


Fig. 2

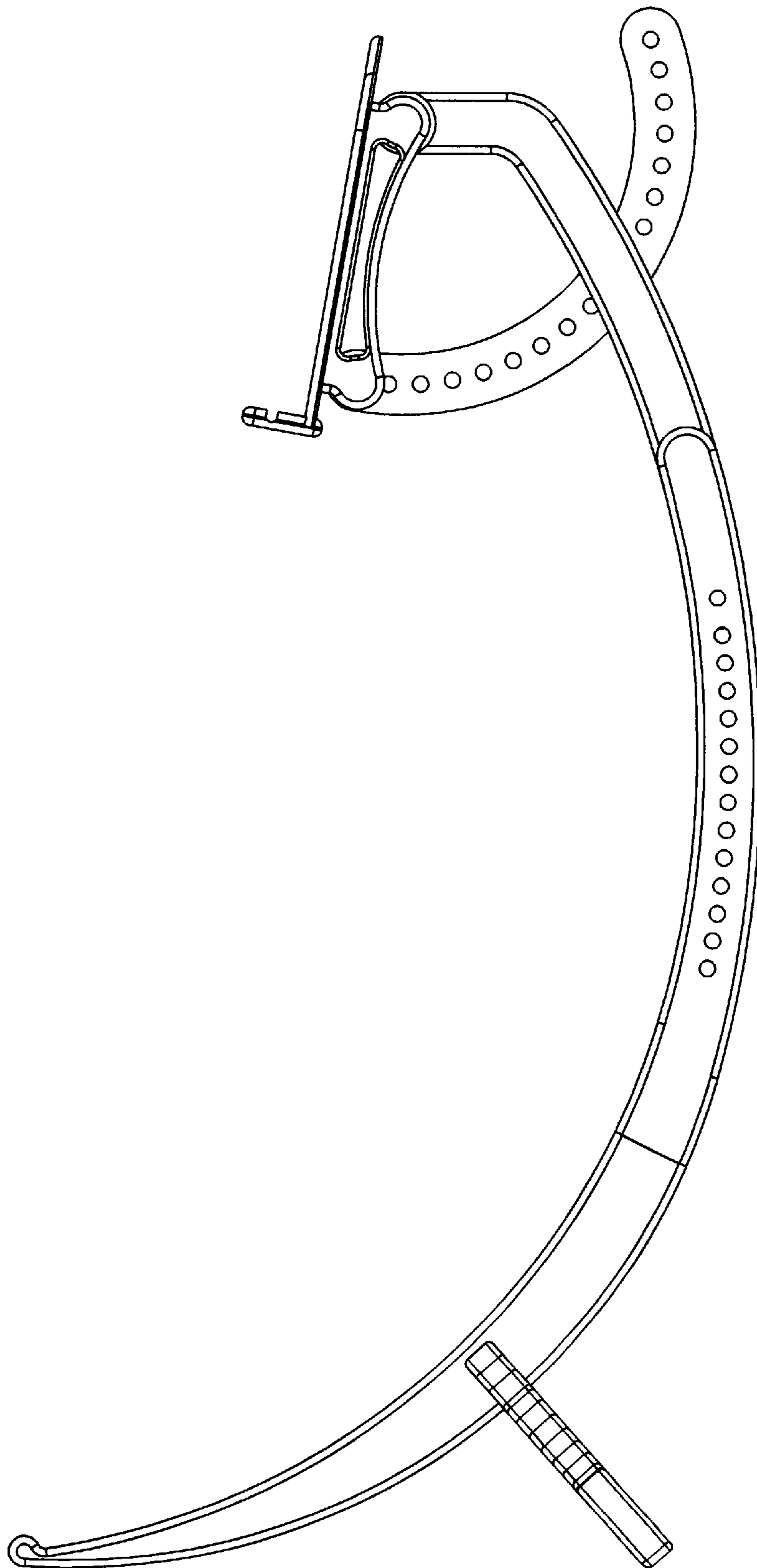


Fig. 3

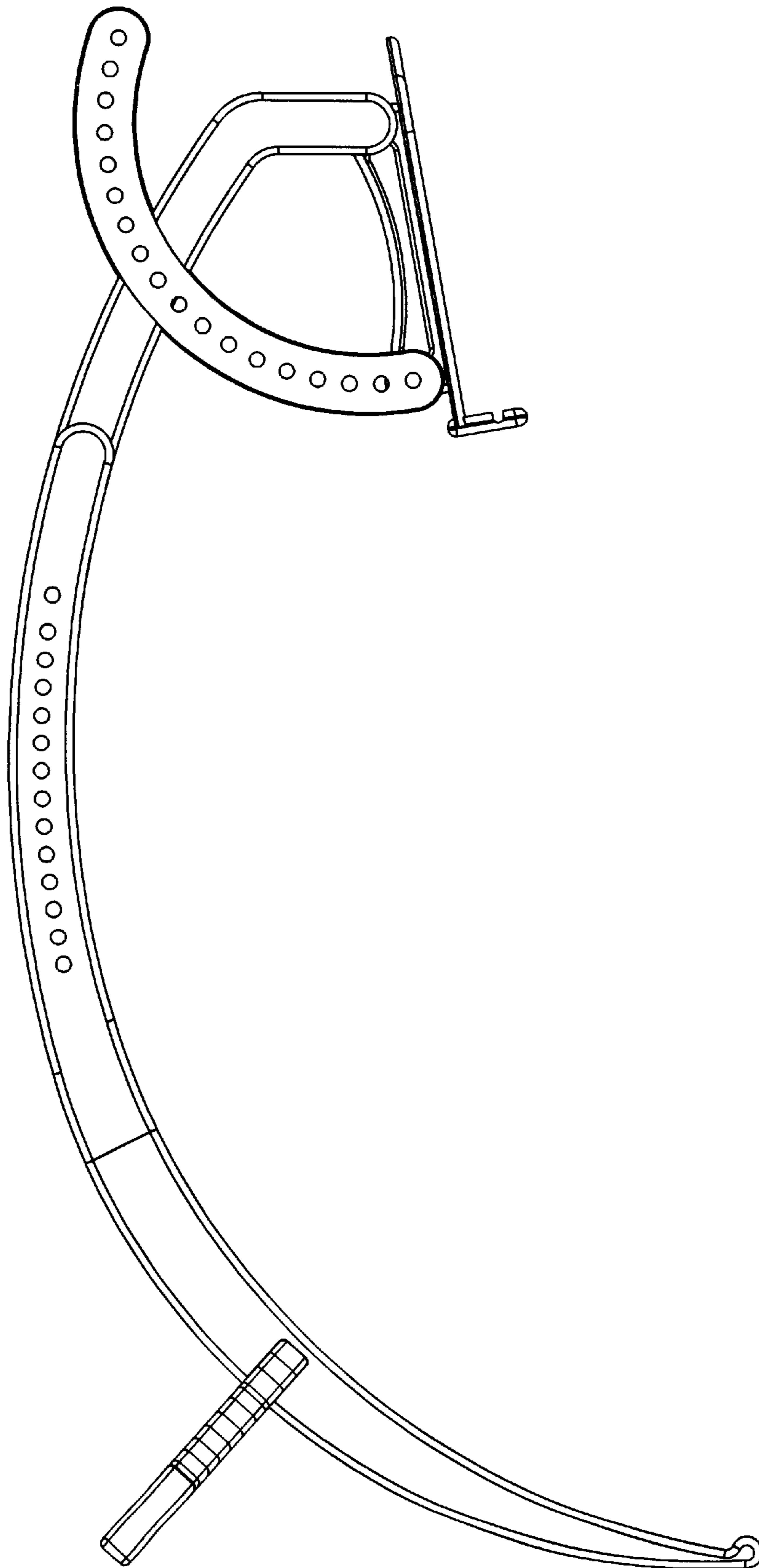


Fig. 4

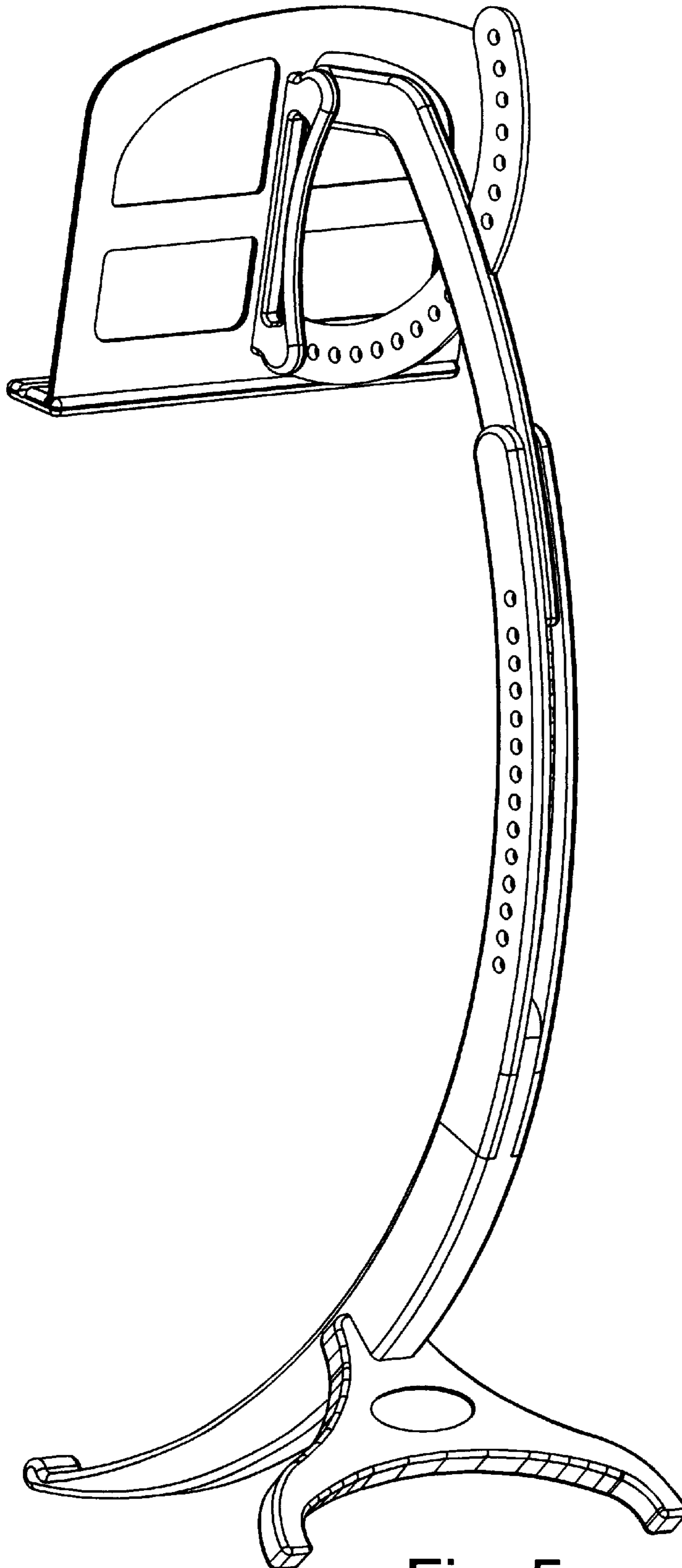


Fig. 5

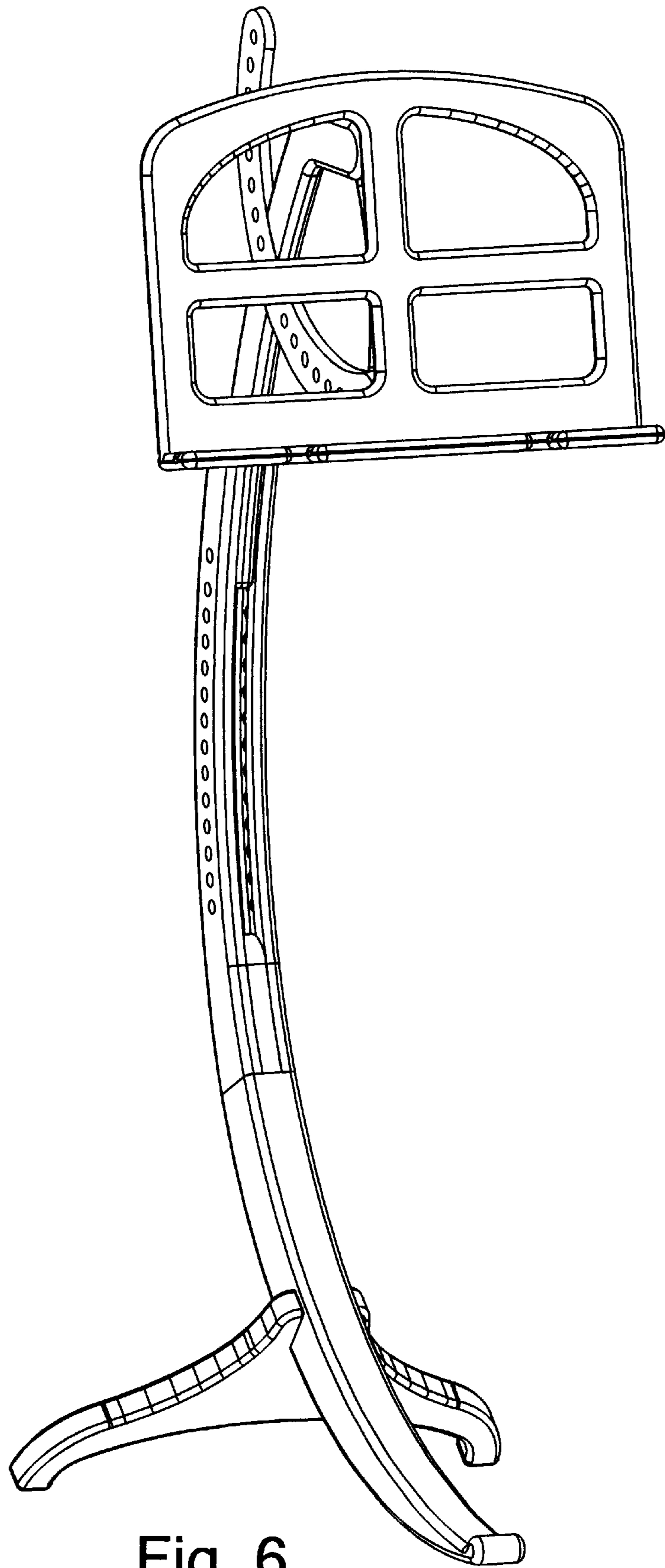


Fig. 6

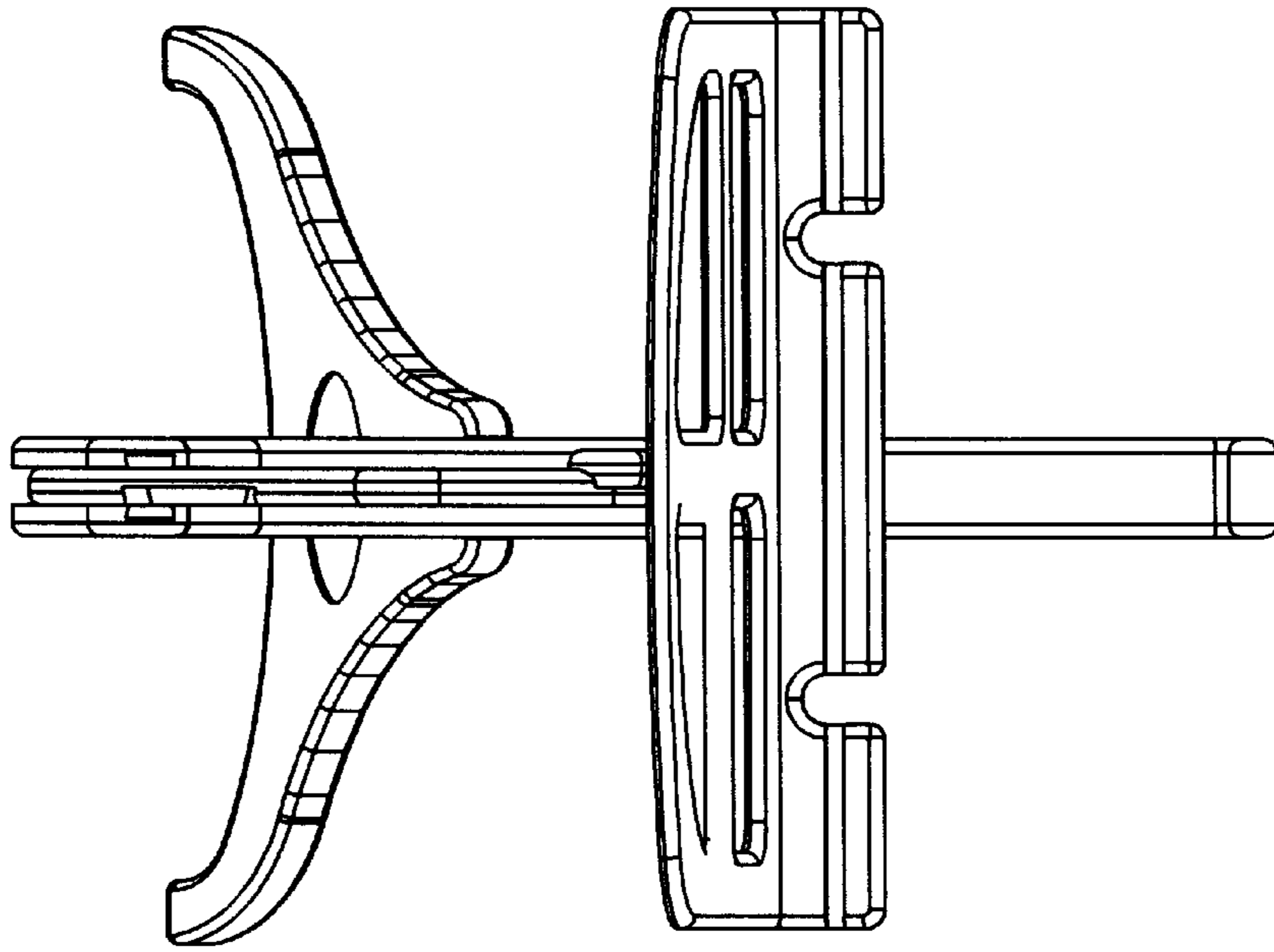


Fig. 7

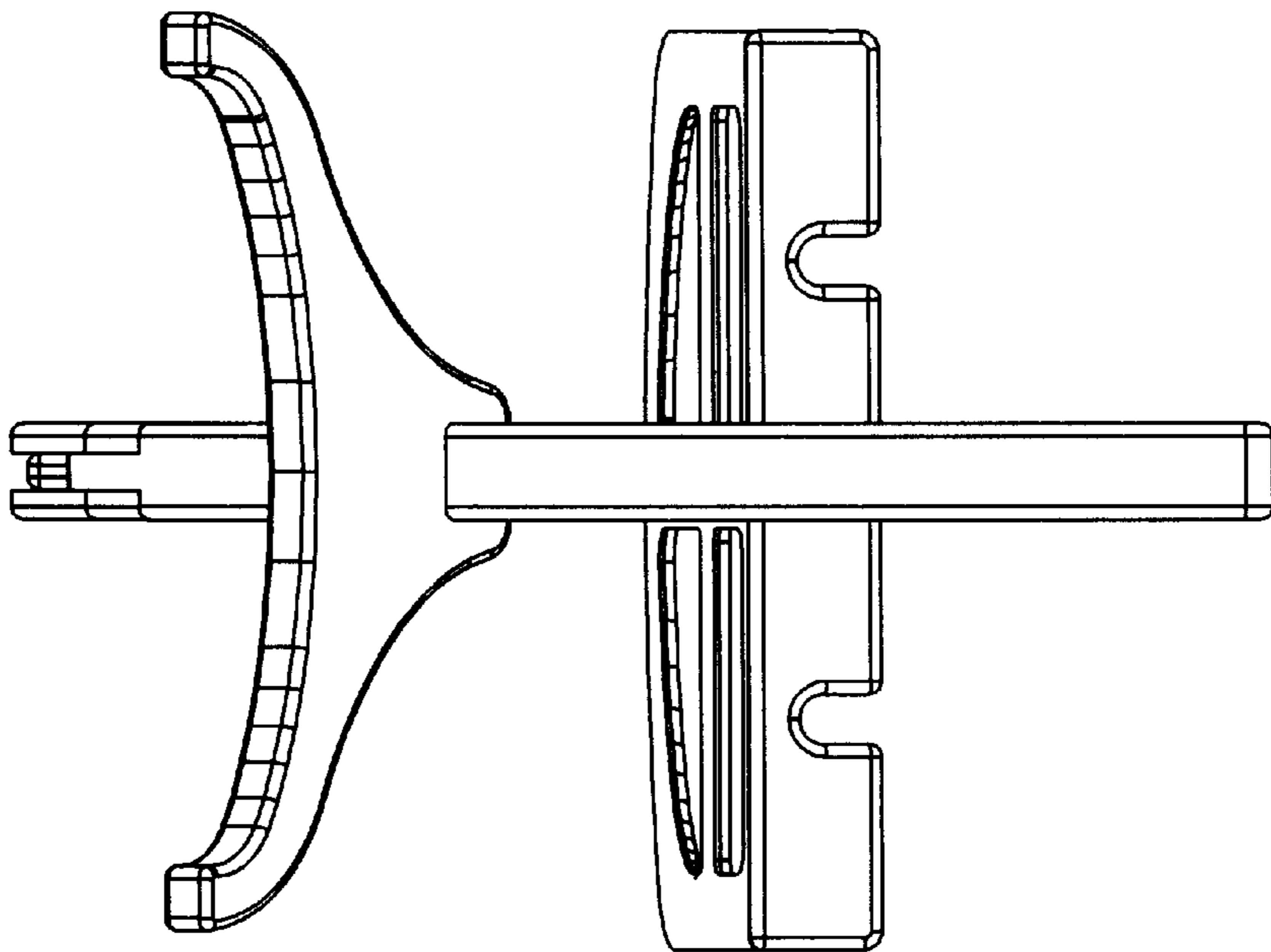


Fig. 8