



US00D459608S

(12) **United States Design Patent**
O'Hare et al.

(10) **Patent No.:** **US D459,608 S**

(45) **Date of Patent:** **** Jul. 2, 2002**

(54) **BED**

(75) Inventors: **Timothy Michael O'Hare**, Greensboro;
Shawn Christopher Stanton, High Point, both of NC (US)

(73) Assignee: **Bernhardt, L.L.C.**, Lenoir, NC (US)

(**) Term: **14 Years**

(21) Appl. No.: **29/139,172**

(22) Filed: **Mar. 26, 2001**

(51) **LOC (7) Cl.** **06-01**

(52) **U.S. Cl.** **D6/393**

(58) **Field of Search** D6/382-395, 505-508;
5/53.1, 279.1, 280, 281

(56) **References Cited**

U.S. PATENT DOCUMENTS

D374,562 S * 10/1996 Mann et al. D6/393

D405,975 S * 2/1999 Keller et al. D6/393

OTHER PUBLICATIONS

Photocopy of scroll work from Henri Bendel's in New York, undated.

* cited by examiner

Primary Examiner—Janice E. Seeger

(74) *Attorney, Agent, or Firm*—MacCord Mason PLLC

(57) **CLAIM**

The ornamental design for a bed, as shown and described.

DESCRIPTION

FIG. 1 is a left front perspective view of a bed showing my new design;

FIG. 2 is a side elevational view of the headboard and footboard, the opposite sides being mirror images thereof;

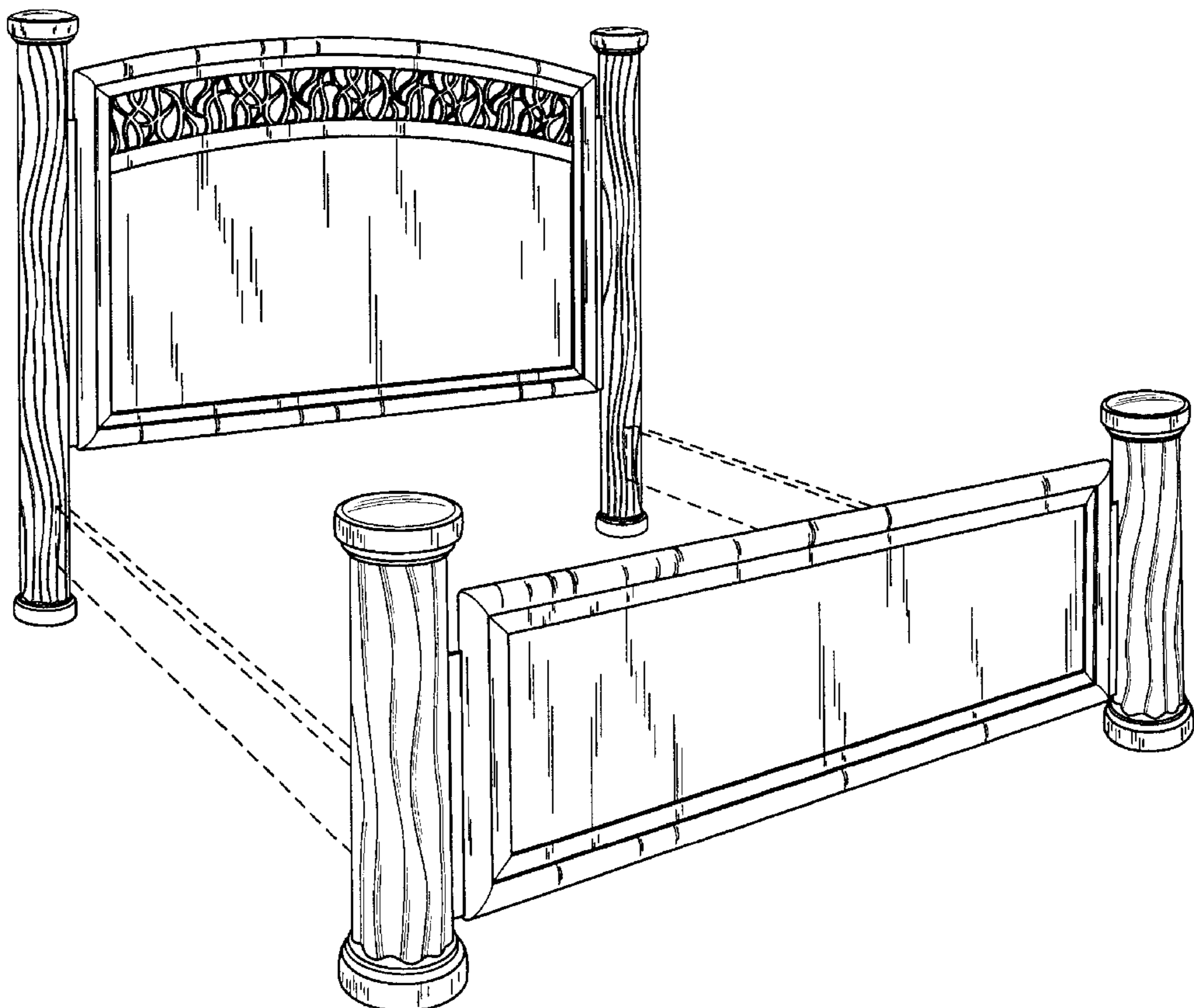
FIG. 3 is a front elevational view of the headboard thereof;

FIG. 4 is a front elevational view of the footboard thereof; and,

FIG. 5 is a rear perspective view of the footboard.

The broken lines showing the bed rails are for illustrative purposes only and form no part of the design.

1 Claim, 5 Drawing Sheets



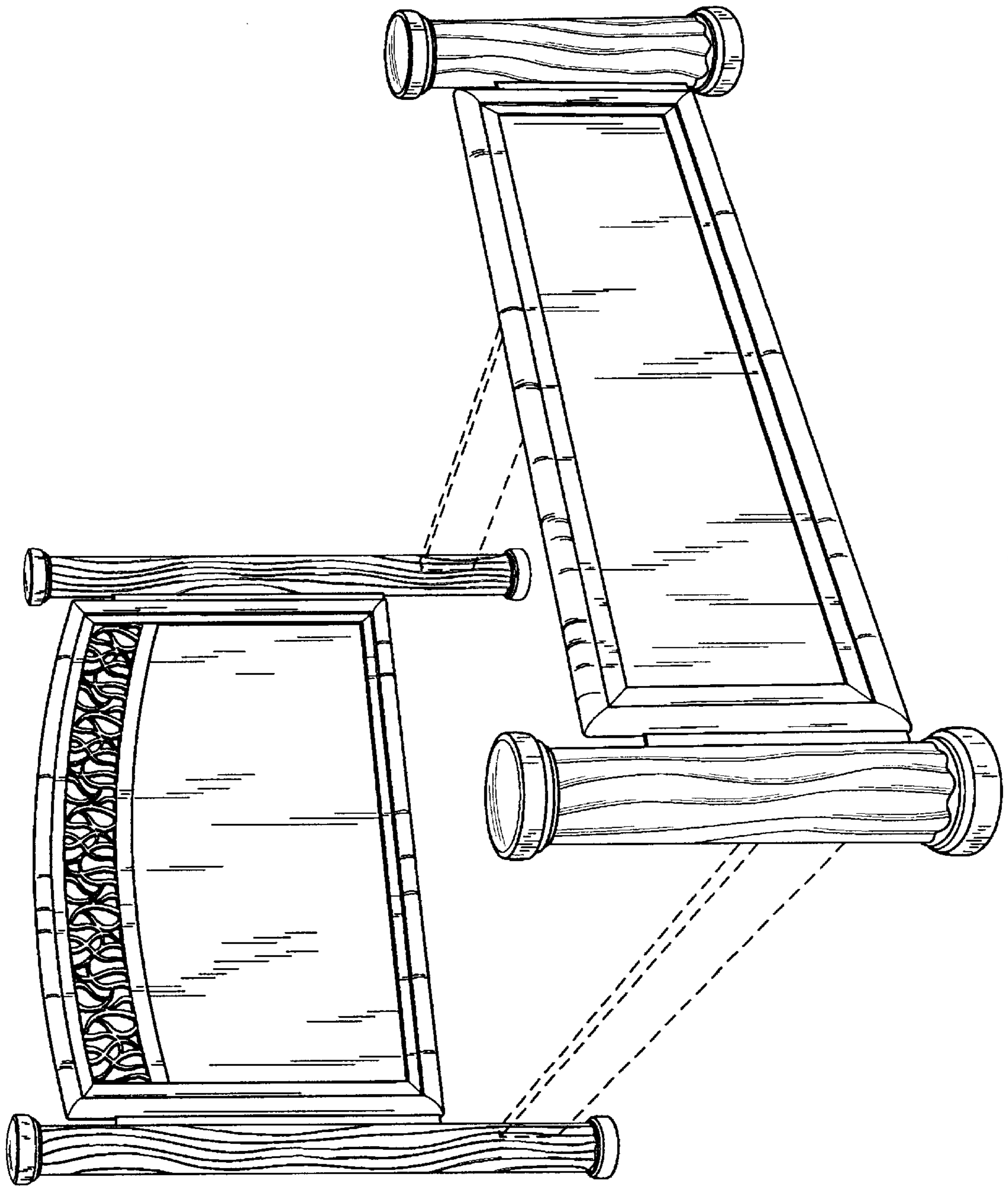


FIG. 1

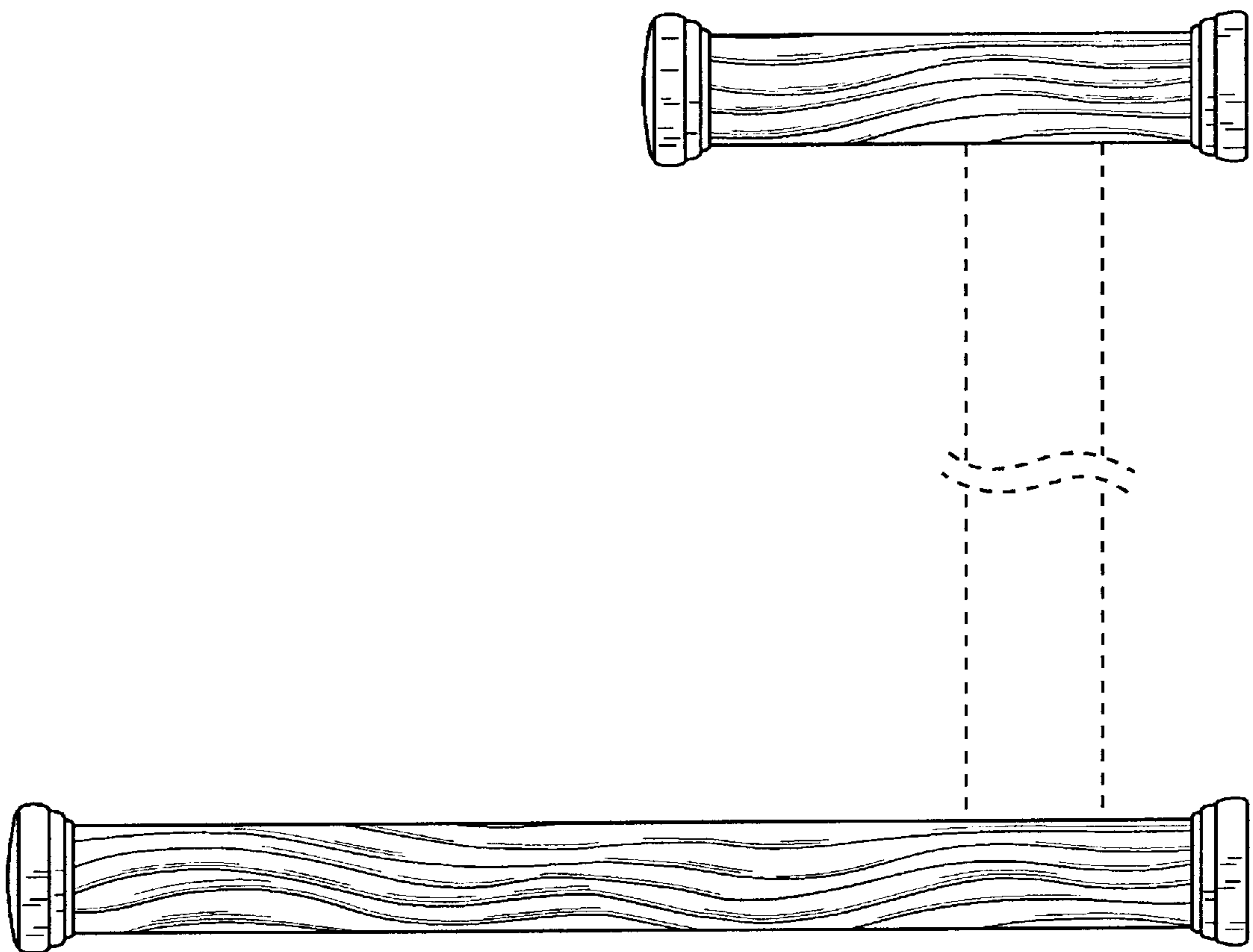


FIG. 2

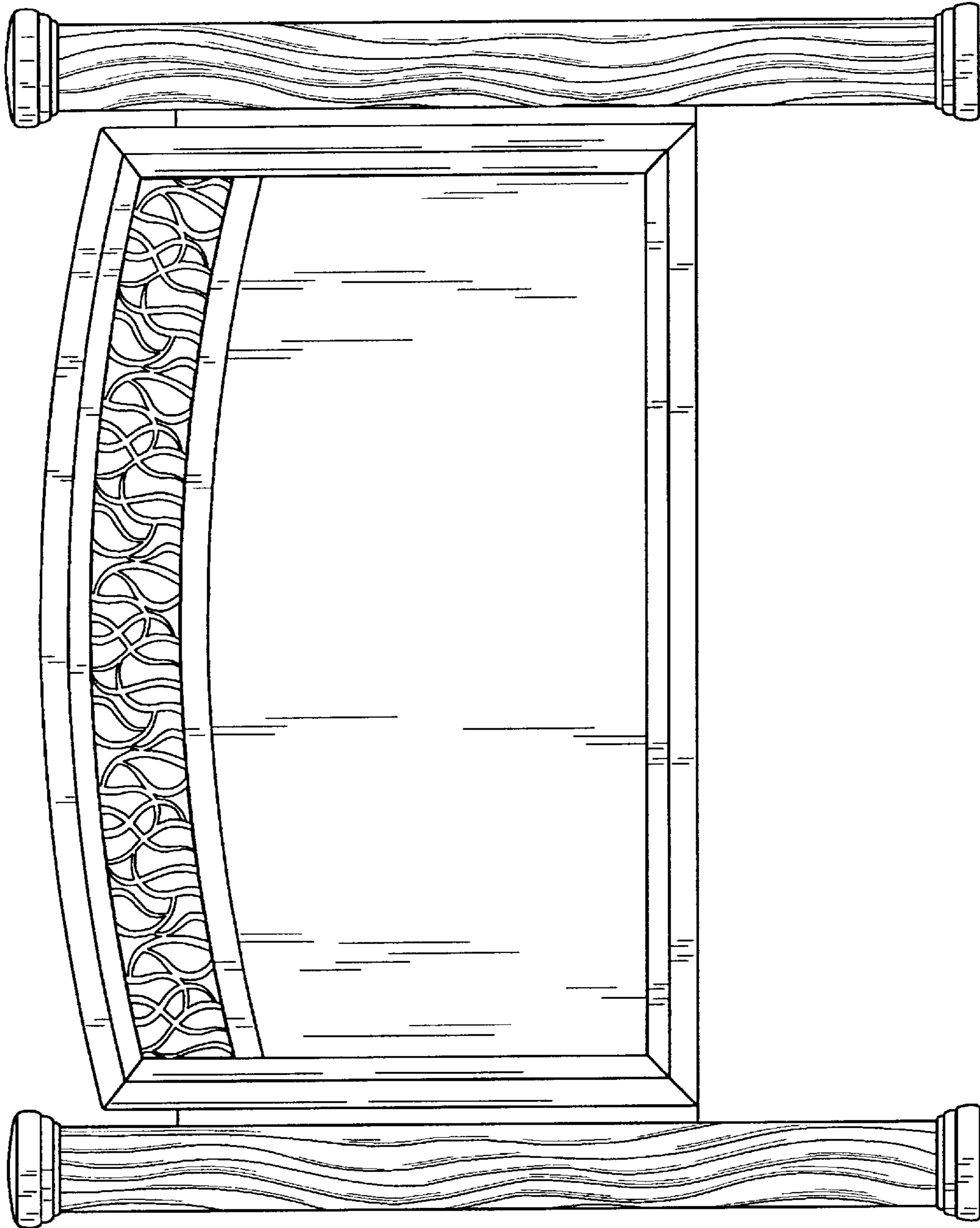


FIG. 3

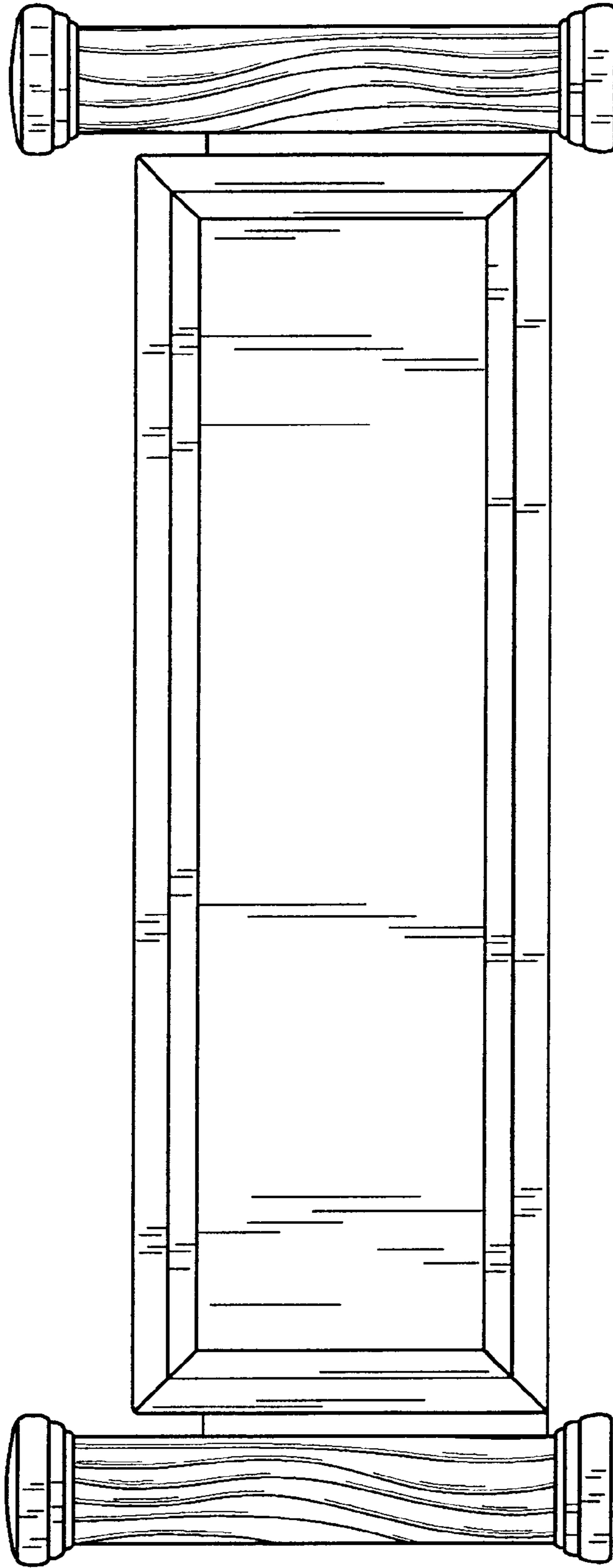


FIG. 4

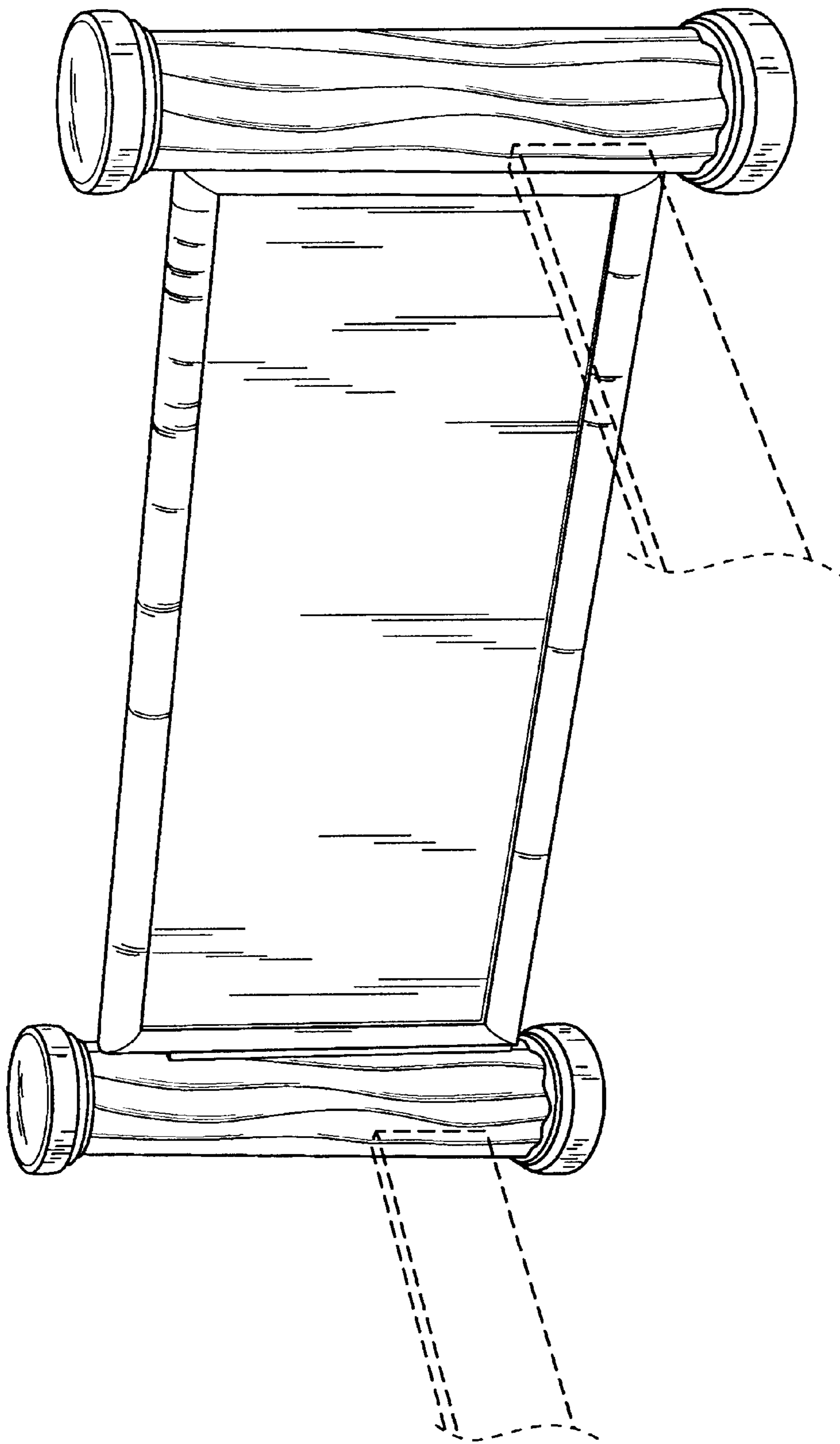


FIG. 5