



US00D459601S

(12) **United States Design Patent**
Moore

(10) **Patent No.:** **US D459,601 S**

(45) **Date of Patent:** **** Jul. 2, 2002**

(54) **CHAIR**

(75) **Inventor:** **Susan Andersen Moore**, Plantation, FL (US)

(73) **Assignee:** **Chairworks Taiwan Limited** (TW)

(**) **Term:** **14 Years**

(21) **Appl. No.:** **29/142,070**

(22) **Filed:** **May 17, 2001**

(51) **LOC (7) Cl.** **06-01**

(52) **U.S. Cl.** **D6/366**

(58) **Field of Search** D6/334, 364, 365,
D6/366, 367, 500, 501, 502; 297/411.2,
411.28

(56) **References Cited**

U.S. PATENT DOCUMENTS

D374,779 S	*	10/1996	Feldberg	D6/366
D400,020 S	*	10/1998	Tseng	D6/366
D403,169 S	*	12/1998	Tseng	D6/366
D431,921 S	*	10/2000	Hammer	D6/366
D444,637 S	*	7/2001	Tseng	D6/366
D446,410 S	*	8/2001	Chen	D6/500

OTHER PUBLICATIONS

So Ho Today (supplement to Furniture Today), p. 8, chair at bottom center by Chair Works.*

So Ho Today (supplement to Furniture Today), back cover, Office Star Products chair shown.*

* cited by examiner

Primary Examiner—Gary D. Watson

(74) *Attorney, Agent, or Firm*—Bierman, Muserlian and Lucas

(57) **CLAIM**

The ornamental design for a chair, as shown and described.

DESCRIPTION

FIG. 1 is a perspective view of the chair according to the design from above;

FIG. 2 is a front view of the chair according to the design;

FIG. 3 is a rear view of the chair according to the design;

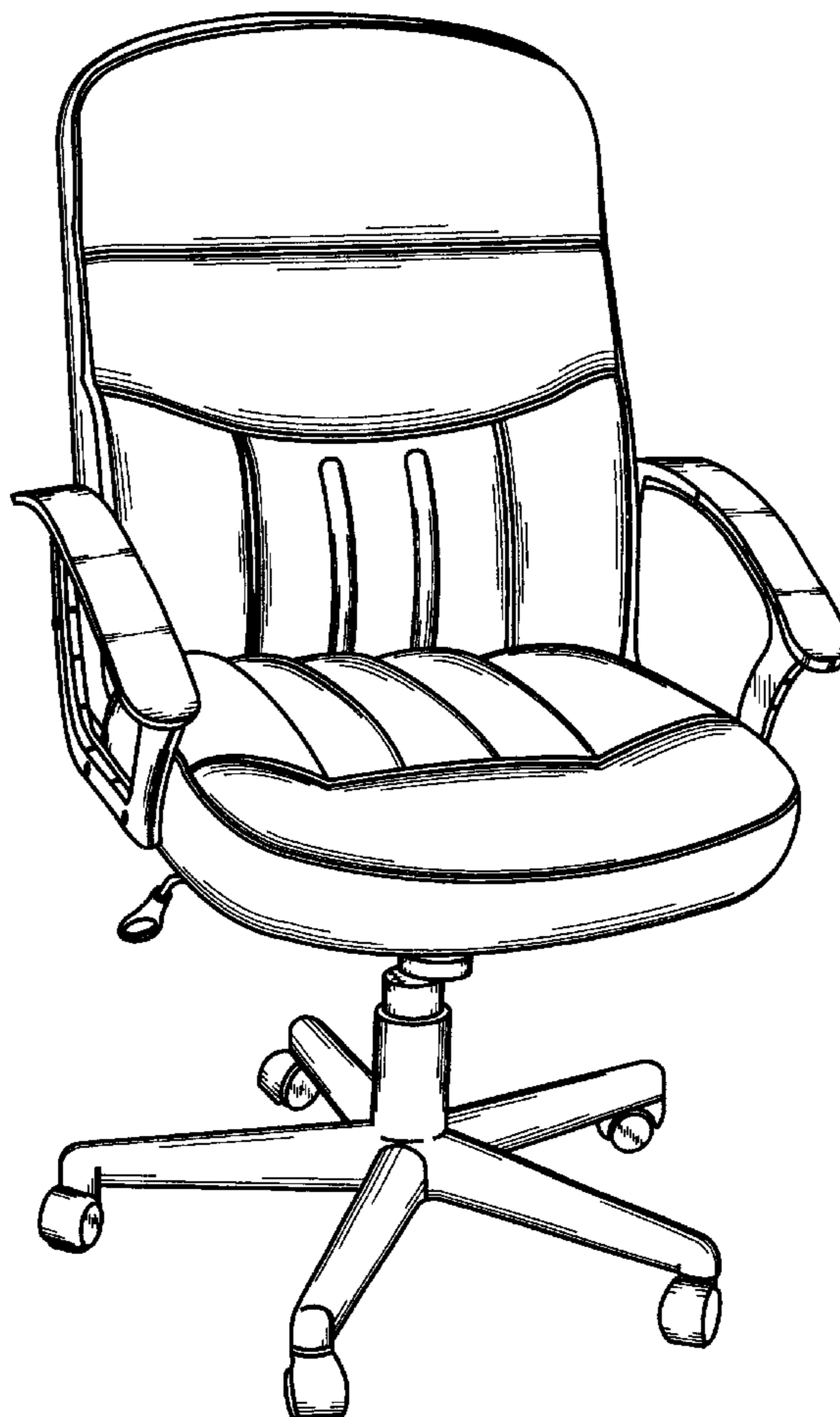
FIG. 4 is a right side view of the chair according to the design;

FIG. 5 is a left side view of the chair according to the design;

FIG. 6 is a front view from above the chair according to the design; and,

FIG. 7 is a bottom view from below the chair according to the design.

1 Claim, 5 Drawing Sheets



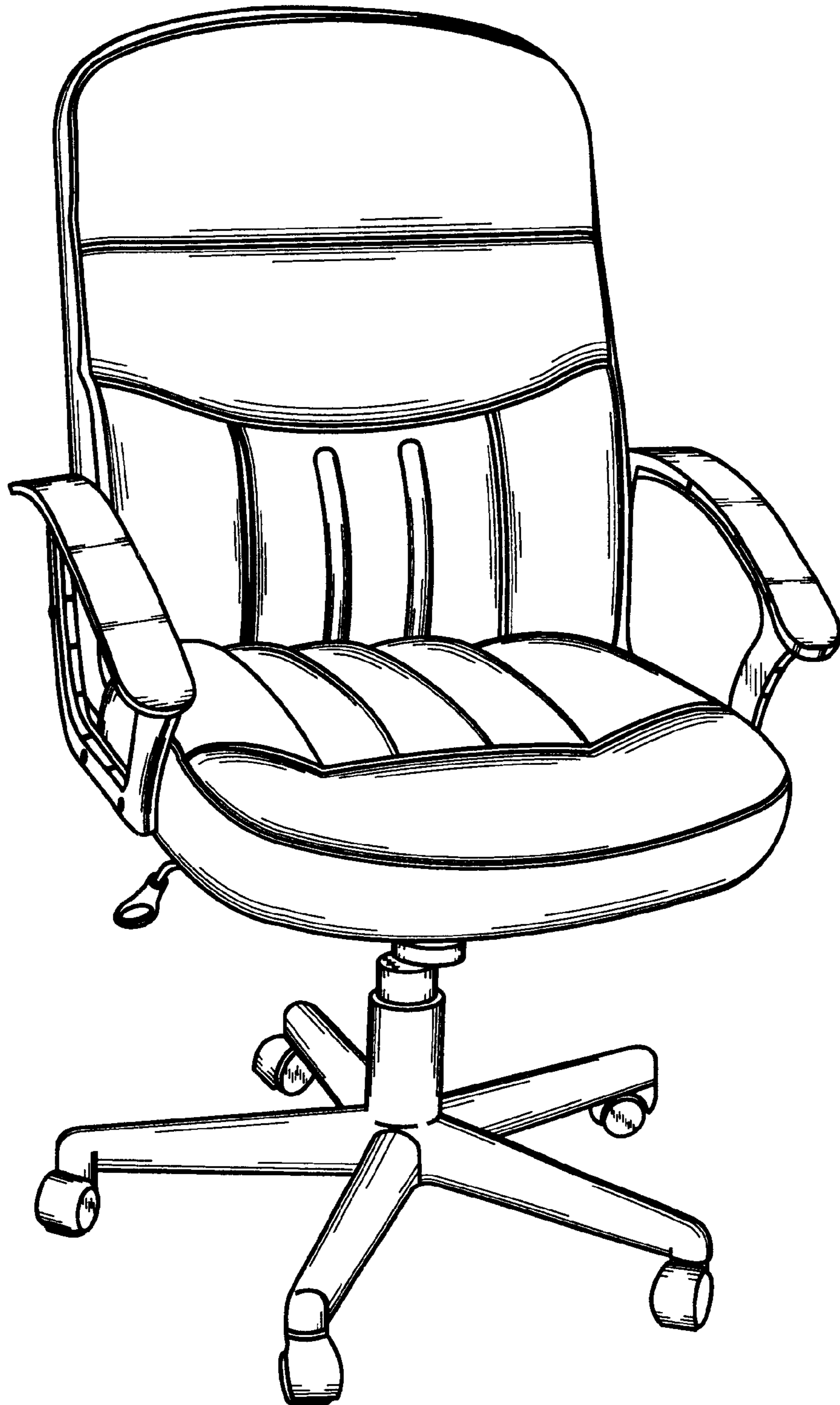


FIG. 1

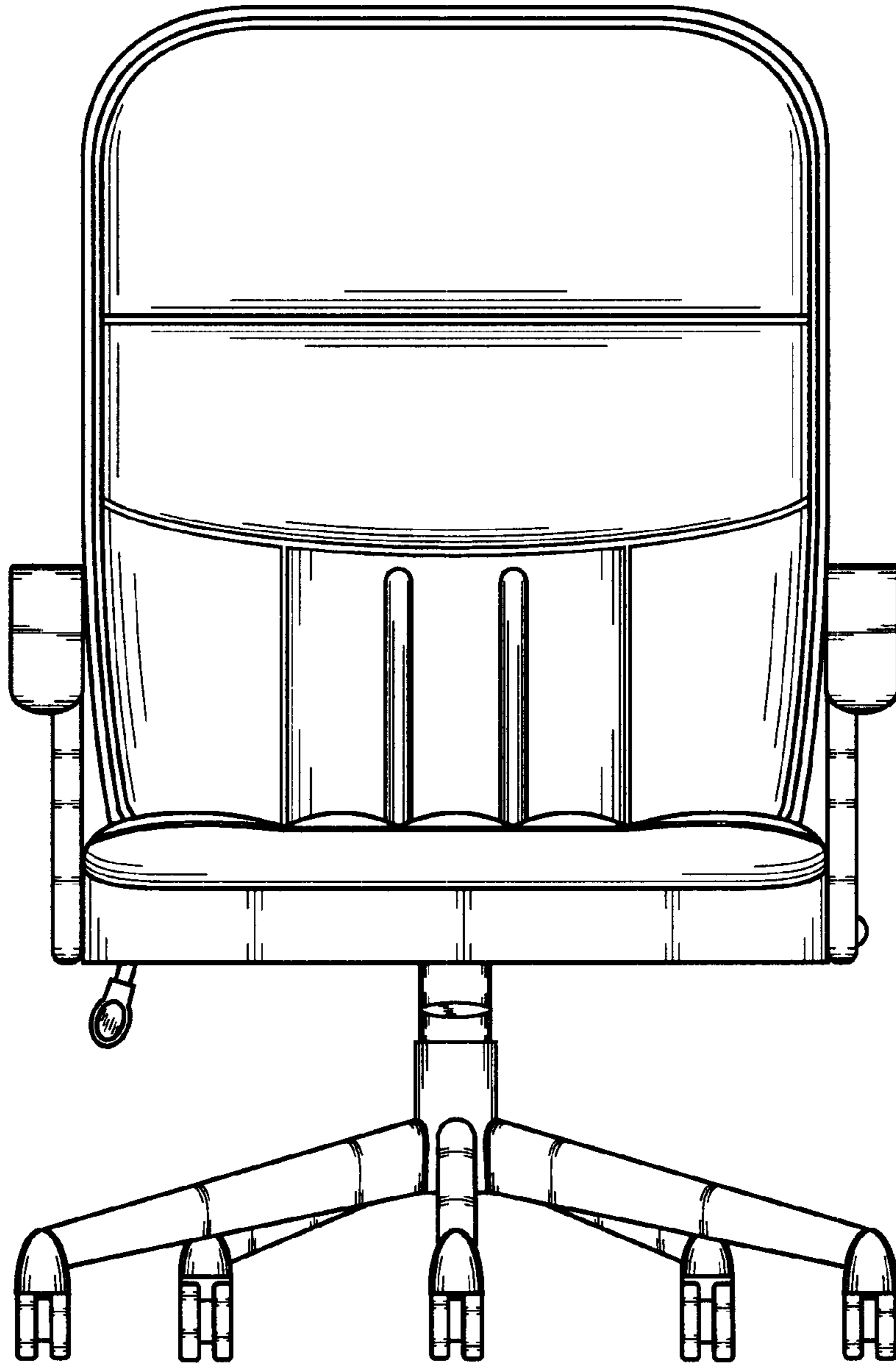


FIG. 2

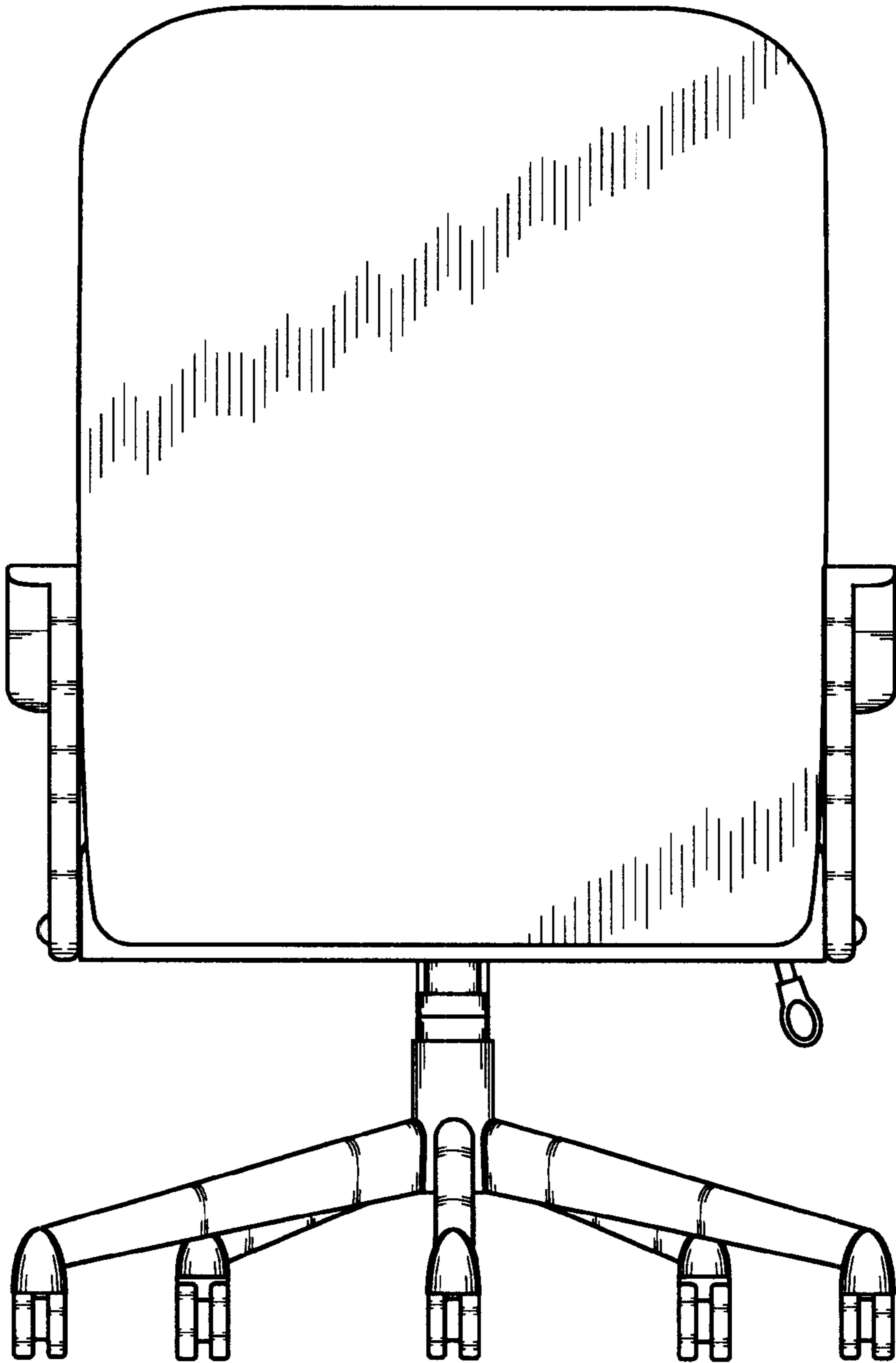


FIG. 3

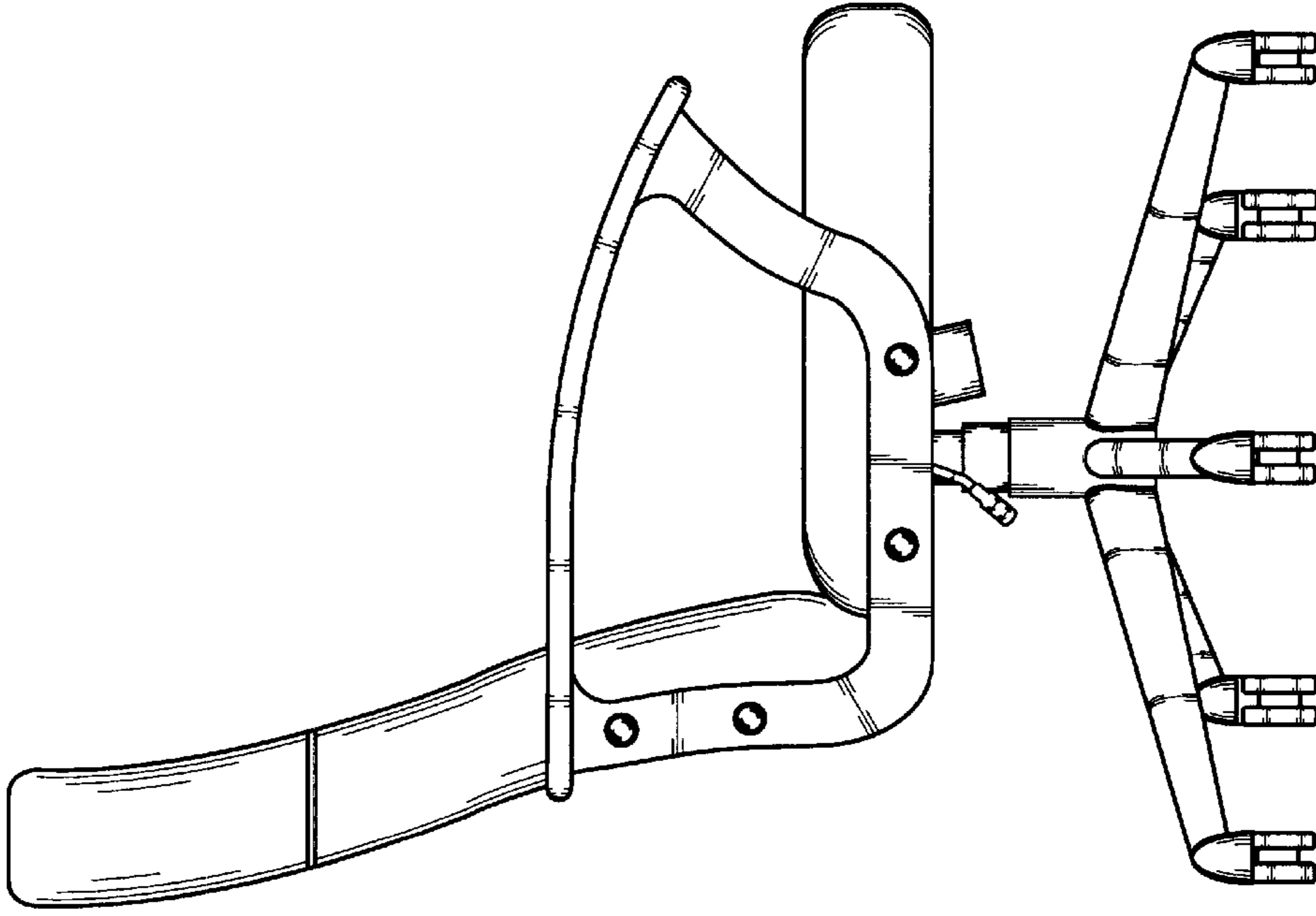


FIG. 4

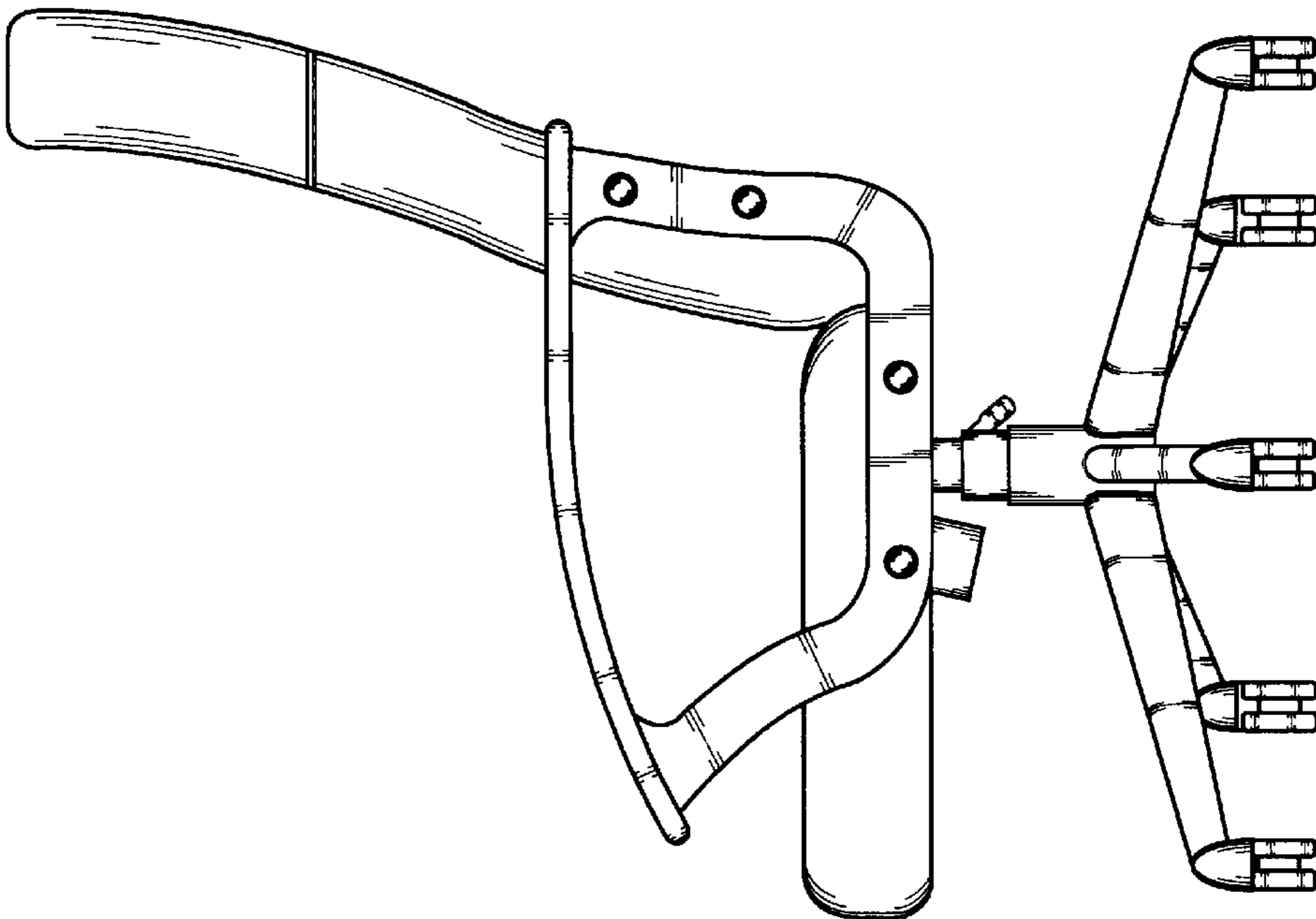


FIG. 5

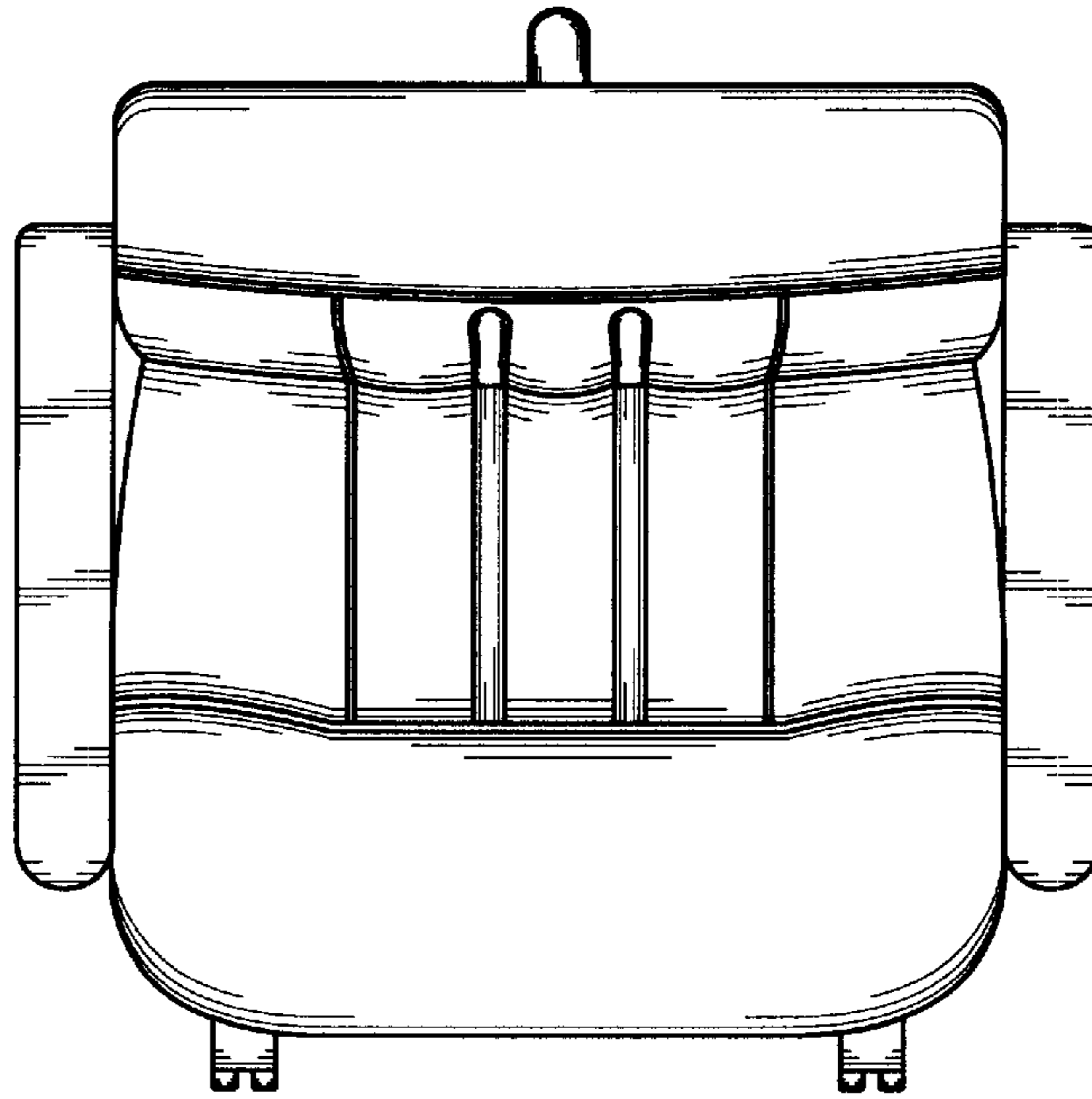


FIG. 6

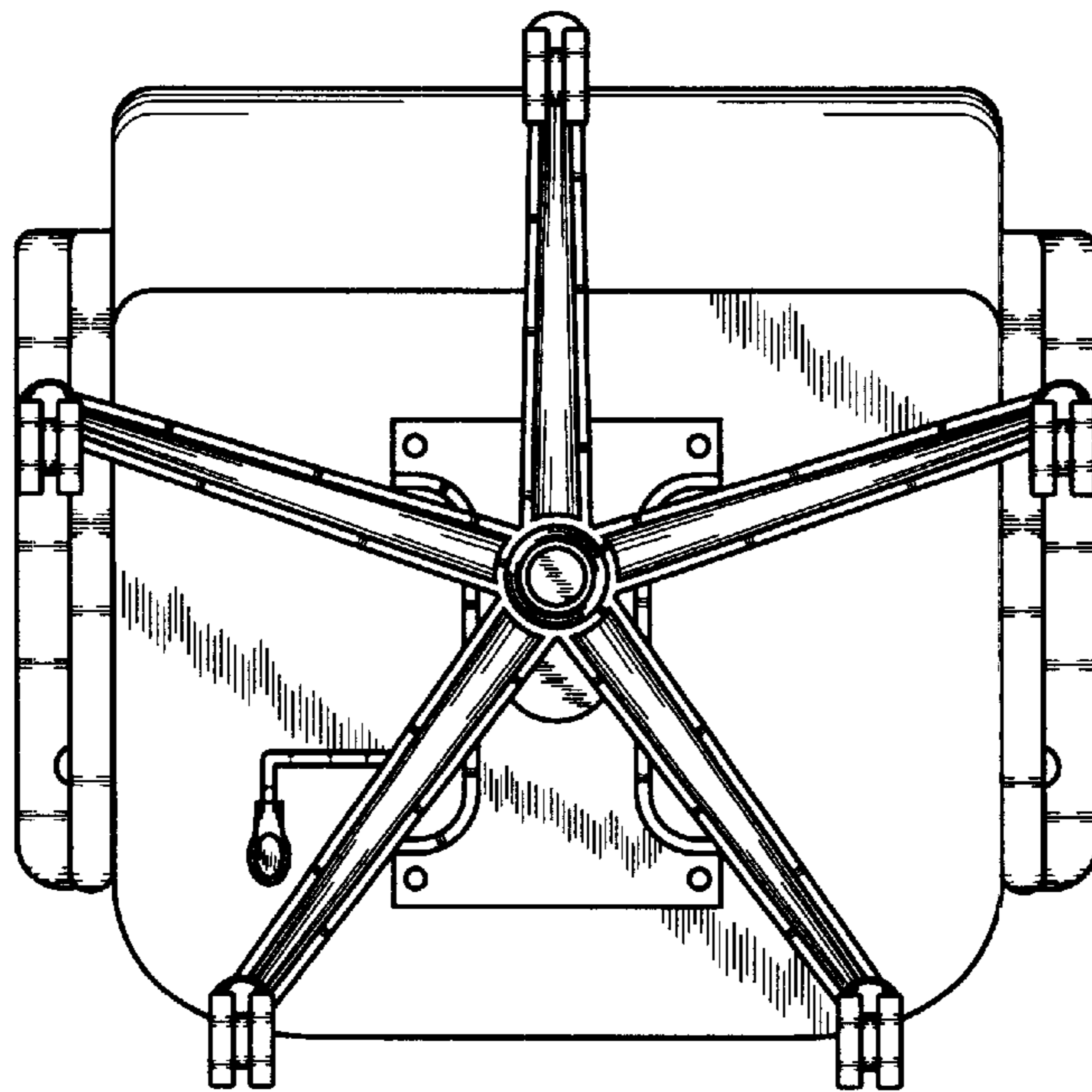


FIG. 7