



US00D459600S

(12) **United States Design Patent**
Tseng

(10) **Patent No.:** **US D459,600 S**

(45) **Date of Patent:** **** *Jul. 2, 2002**

(54) **CHAIR**

(75) **Inventor:** **Chuen-Jong Tseng, Chiayi Hsien (TW)**

(73) **Assignee:** **Shin Yeh Enterprise Co., Ltd., Chiayi Hsien (TW)**

(*) **Notice:** This patent is subject to a terminal disclaimer.

(**) **Term:** **14 Years**

(21) **Appl. No.:** **29/134,569**

(22) **Filed:** **Dec. 21, 2000**

(51) **LOC (7) Cl.** **06-01**

(52) **U.S. Cl.** **D6/366**

(58) **Field of Search** D6/334, 364, 365,
D6/366, 367, 379, 500, 501, 502; 297/411.2,
411.27, 411.28, 411.29

(56) **References Cited**

U.S. PATENT DOCUMENTS

D90,495 S * 8/1933 McChesney et al. D6/379

D304,886 S * 12/1989 Murry D6/379
D383,021 S * 9/1997 Lu D6/500
D403,520 S * 1/1999 Wilson D6/366
D417,102 S * 11/1999 Vanderwood et al. D6/500
D427,793 S * 7/2000 Groulx et al. D6/366
D437,499 S * 2/2001 Tseng D6/366

* cited by examiner

Primary Examiner—Gary D. Watson

(74) *Attorney, Agent, or Firm*—Ladas & Parry

(57) **CLAIM**

The ornamental design for chair, as shown and described.

DESCRIPTION

FIG. 1 is a perspective view of chair showing my new design;

FIG. 2 is a front elevational view thereof;

FIG. 3 is a rear elevational view thereof;

FIG. 4 is a left side elevational view thereof;

FIG. 5 is a right side elevational view thereof;

FIG. 6 is a top plan view thereof; and,

FIG. 7 is a bottom plan view thereof.

1 Claim, 4 Drawing Sheets





FIG. 1

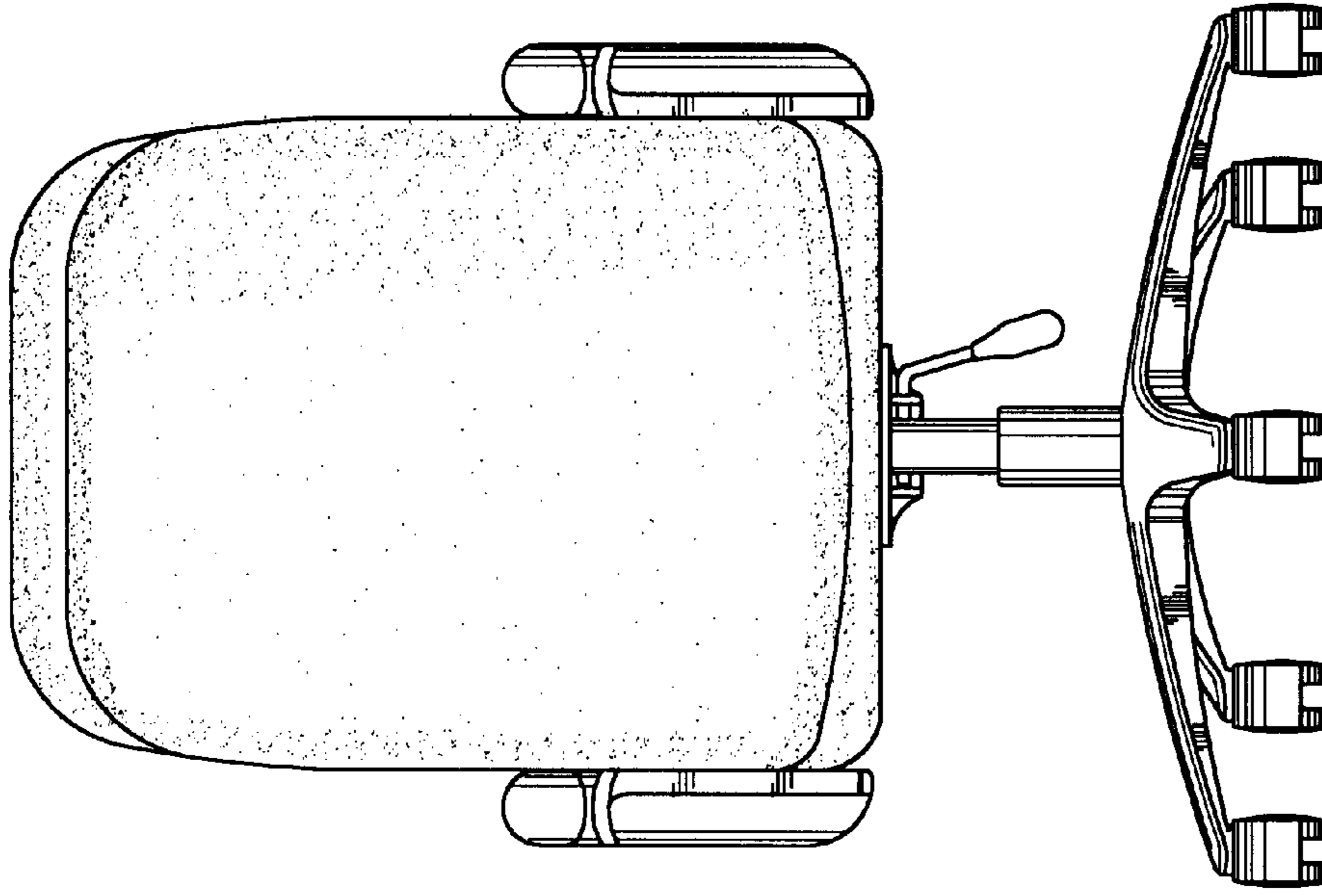


FIG. 3

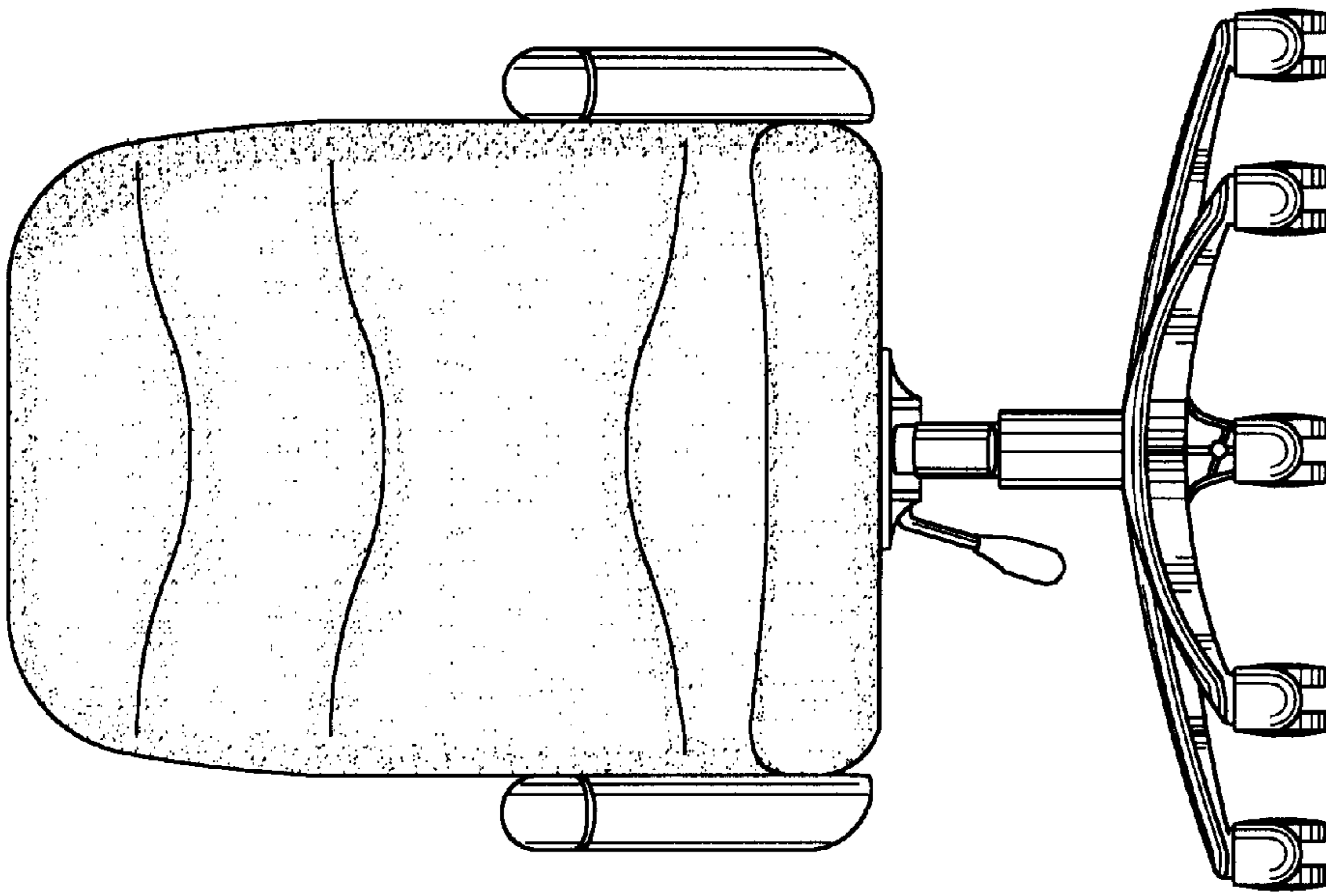


FIG. 2

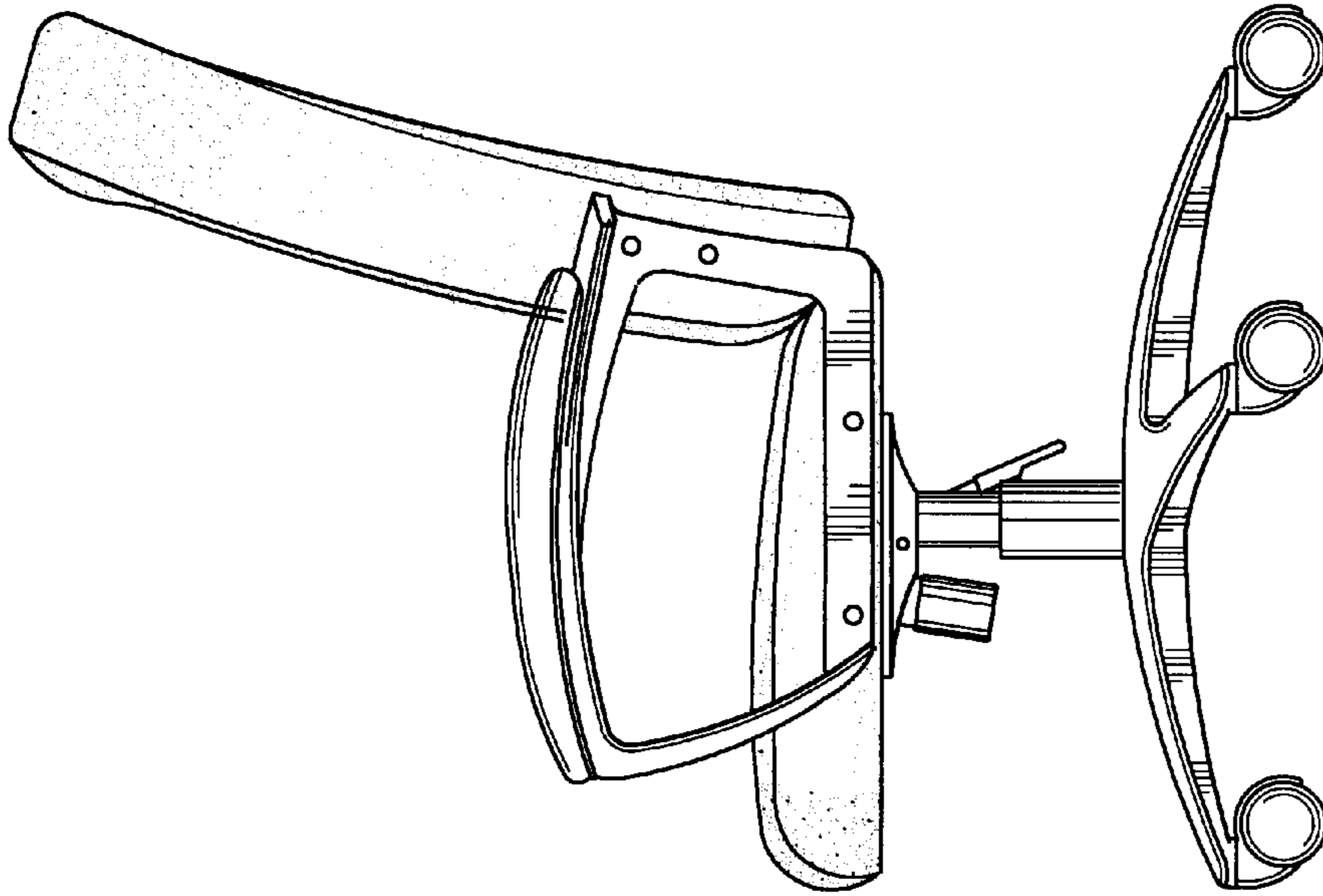


FIG. 5

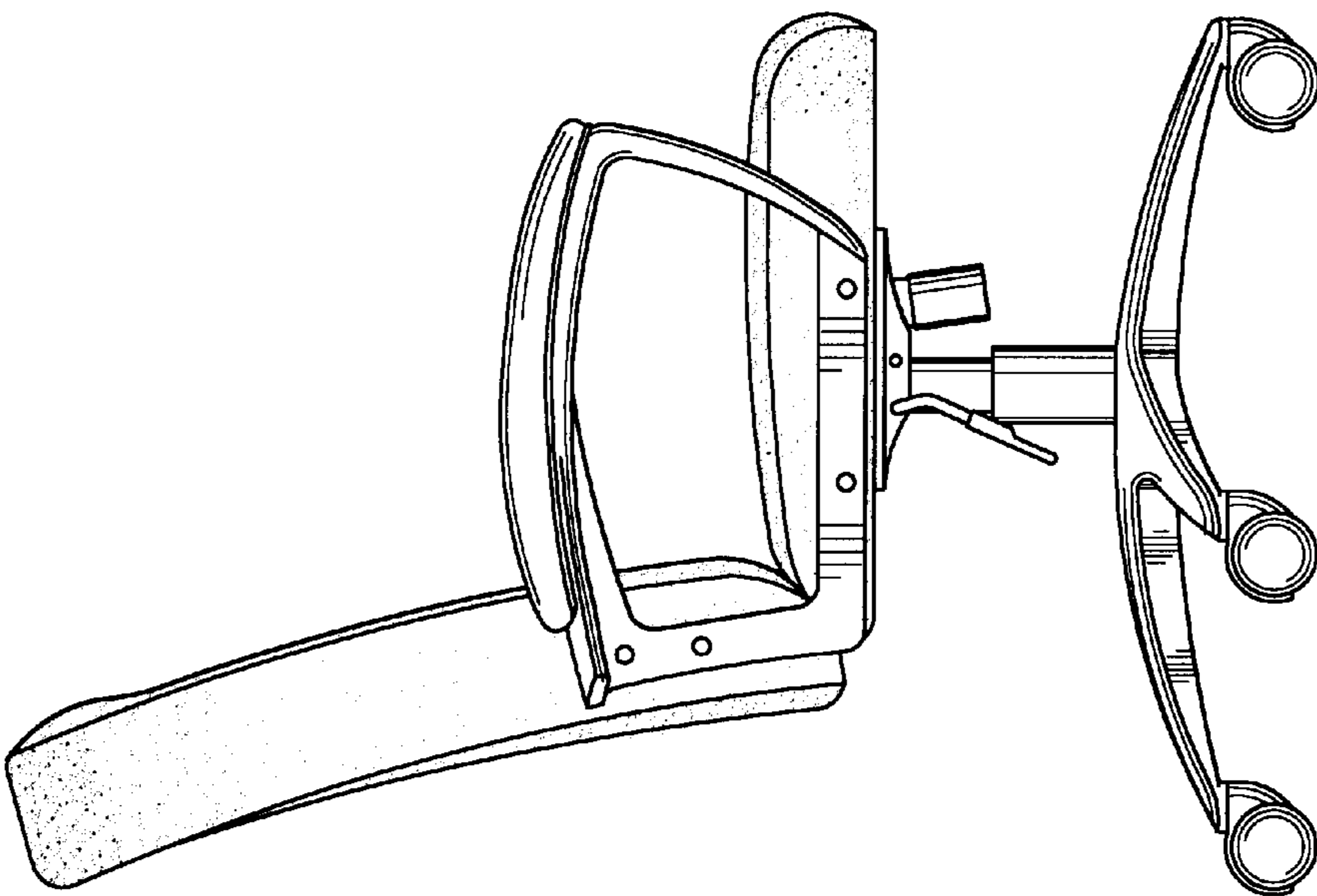


FIG. 4

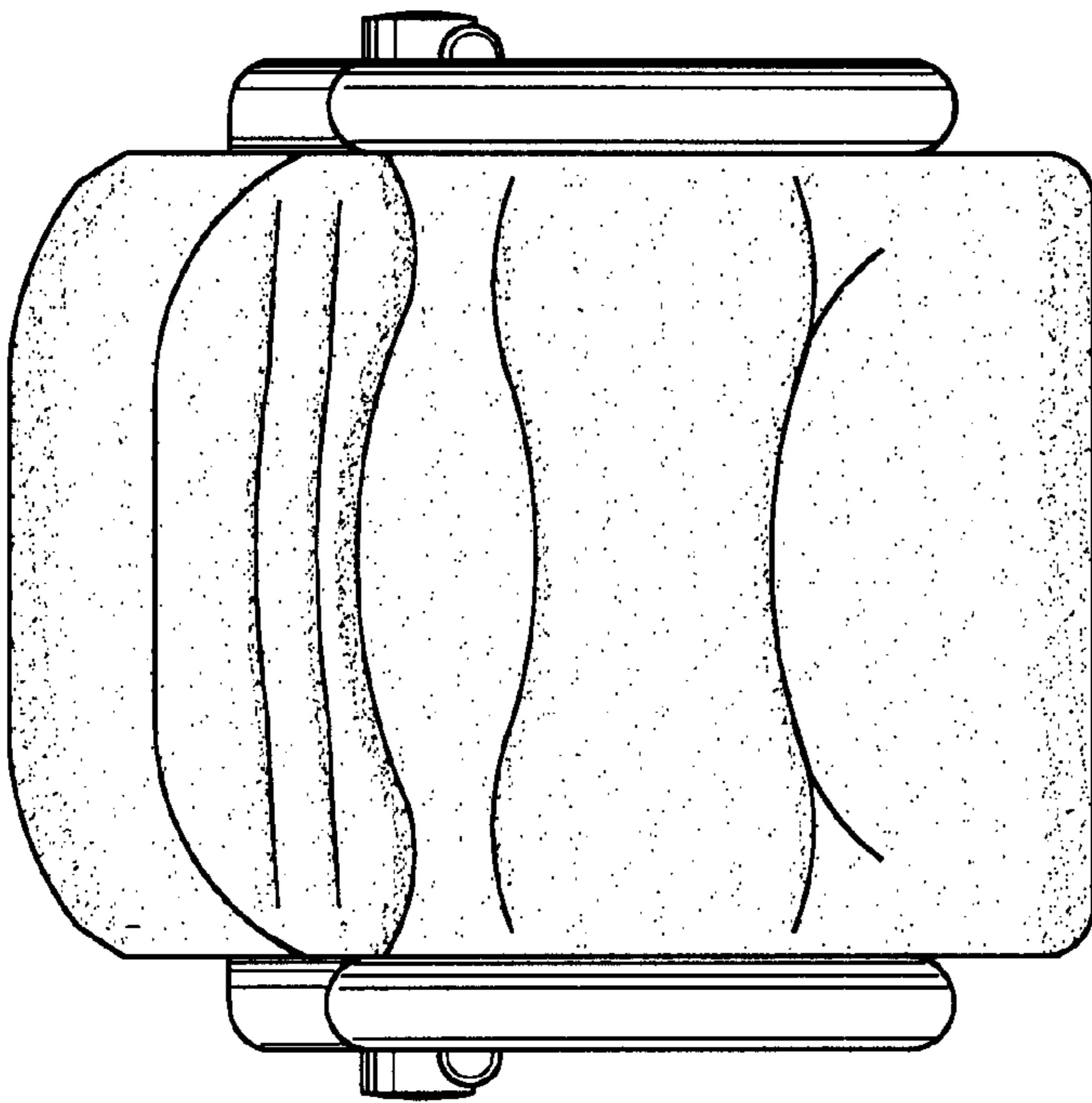


FIG. 6

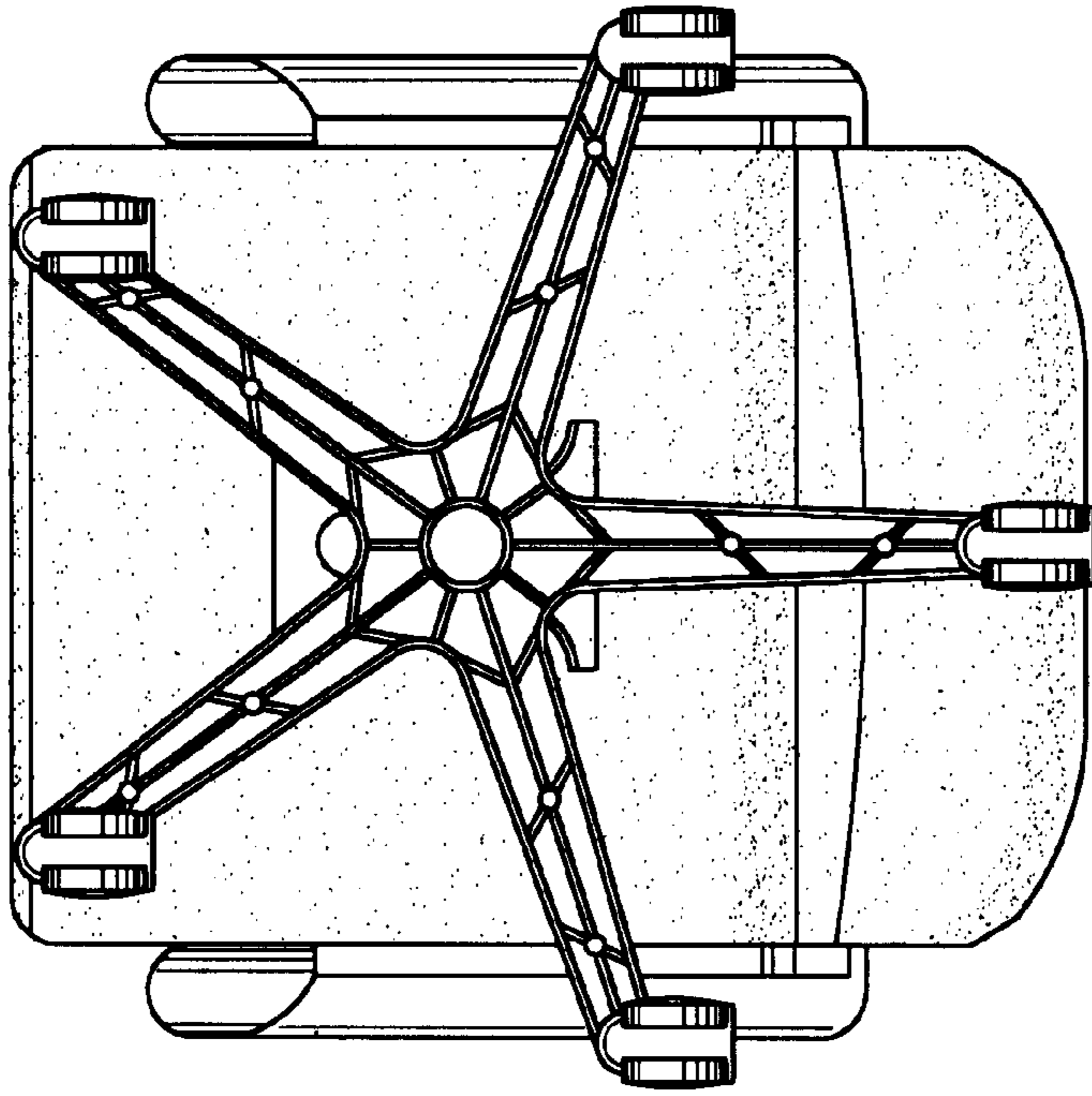


FIG. 7