



US00D459599S

(12) **United States Design Patent**
Zaidman

(10) **Patent No.:** **US D459,599 S**

(45) **Date of Patent:** **** Jul. 2, 2002**

(54) **CHAIR**

(75) Inventor: **Paul Zaidman, Winnipeg (CA)**

(73) Assignee: **Chairworks Taiwan Limited (CN)**

(**) Term: **14 Years**

(21) Appl. No.: **29/143,296**

(22) Filed: **Jun. 11, 2001**

(30) **Foreign Application Priority Data**

Dec. 12, 2000 (CA) 2000-3283

(51) **LOC (7) Cl.** **06-01**

(52) **U.S. Cl.** **D6/365**

(58) **Field of Search** D6/334, 335, 364,
D6/365, 367, 374, 375, 500-502, 495;
297/281, 287, 411.45

(56) **References Cited**

U.S. PATENT DOCUMENTS

D405,282 S * 2/1999 Desnoyers et al. D6/365

6,092,870 A * 7/2000 Desnoyers et al. 297/281
D448,940 S * 10/2001 Chi D6/365

* cited by examiner

Primary Examiner—Doris V. Coles

Assistant Examiner—Mimosa De

(74) *Attorney, Agent, or Firm*—Bierman, Muserlian and Lucas

(57) **CLAIM**

The ornamental design for a chair, as shown and described.

DESCRIPTION

FIG. 1 is a side perspective view of my chair design;
FIG. 2 is a front view of my chair design;
FIG. 3 is a back view of my chair design;
FIG. 4 is a side view of my chair design;
FIG. 5 is a top view of my chair design; and,
FIG. 6 is a bottom view of my chair design.

1 Claim, 6 Drawing Sheets

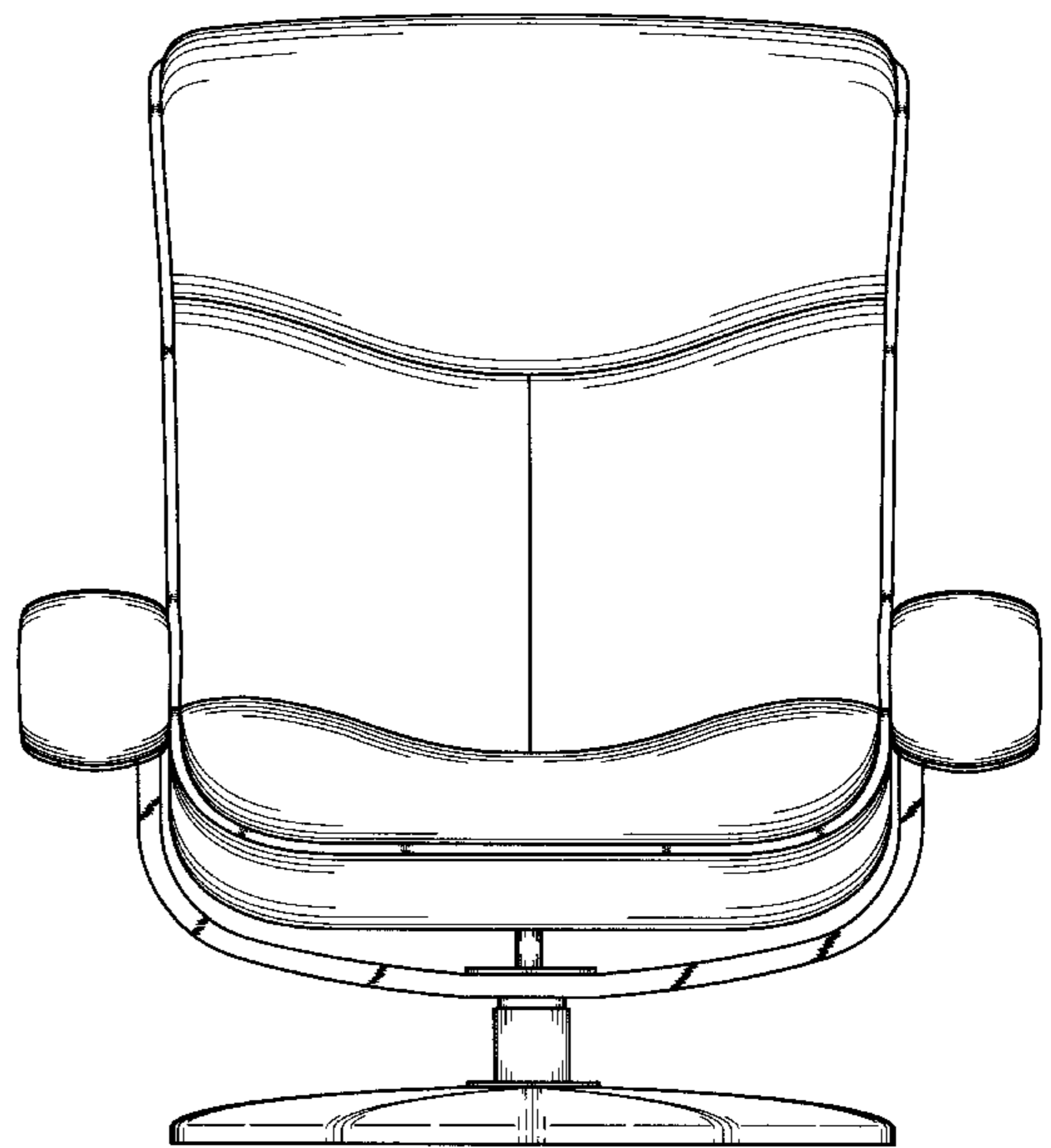
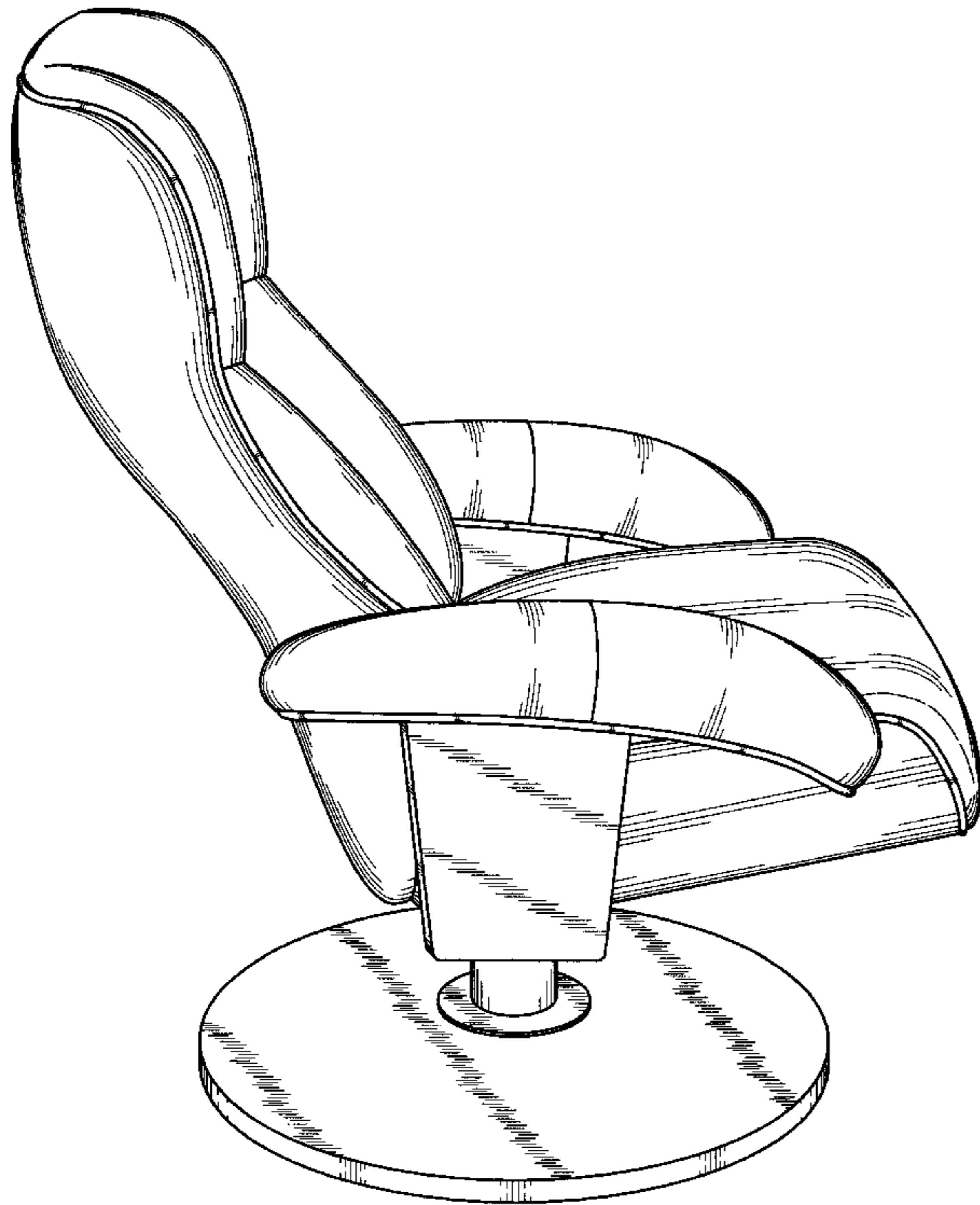




FIG. 1

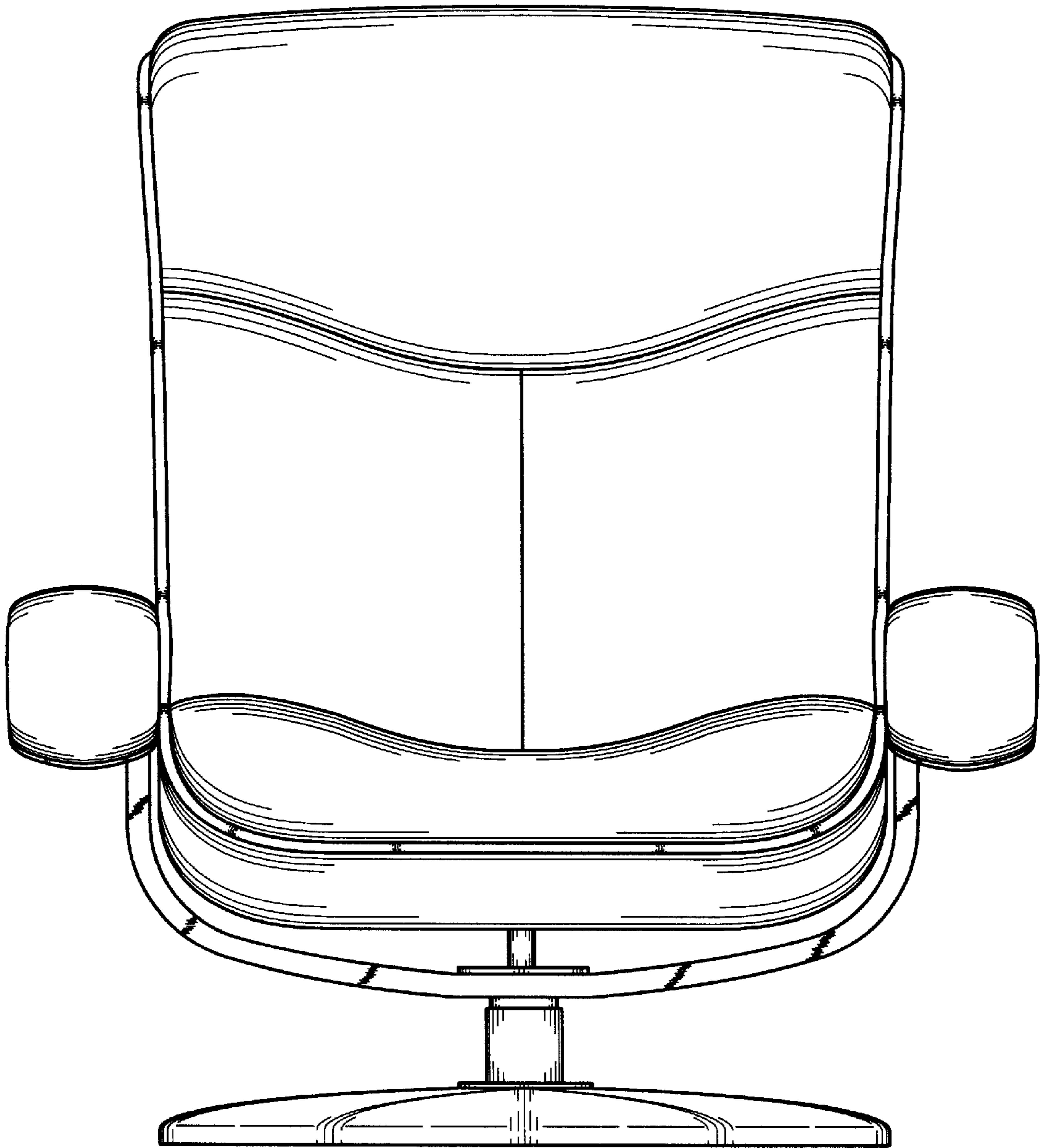


FIG. 2

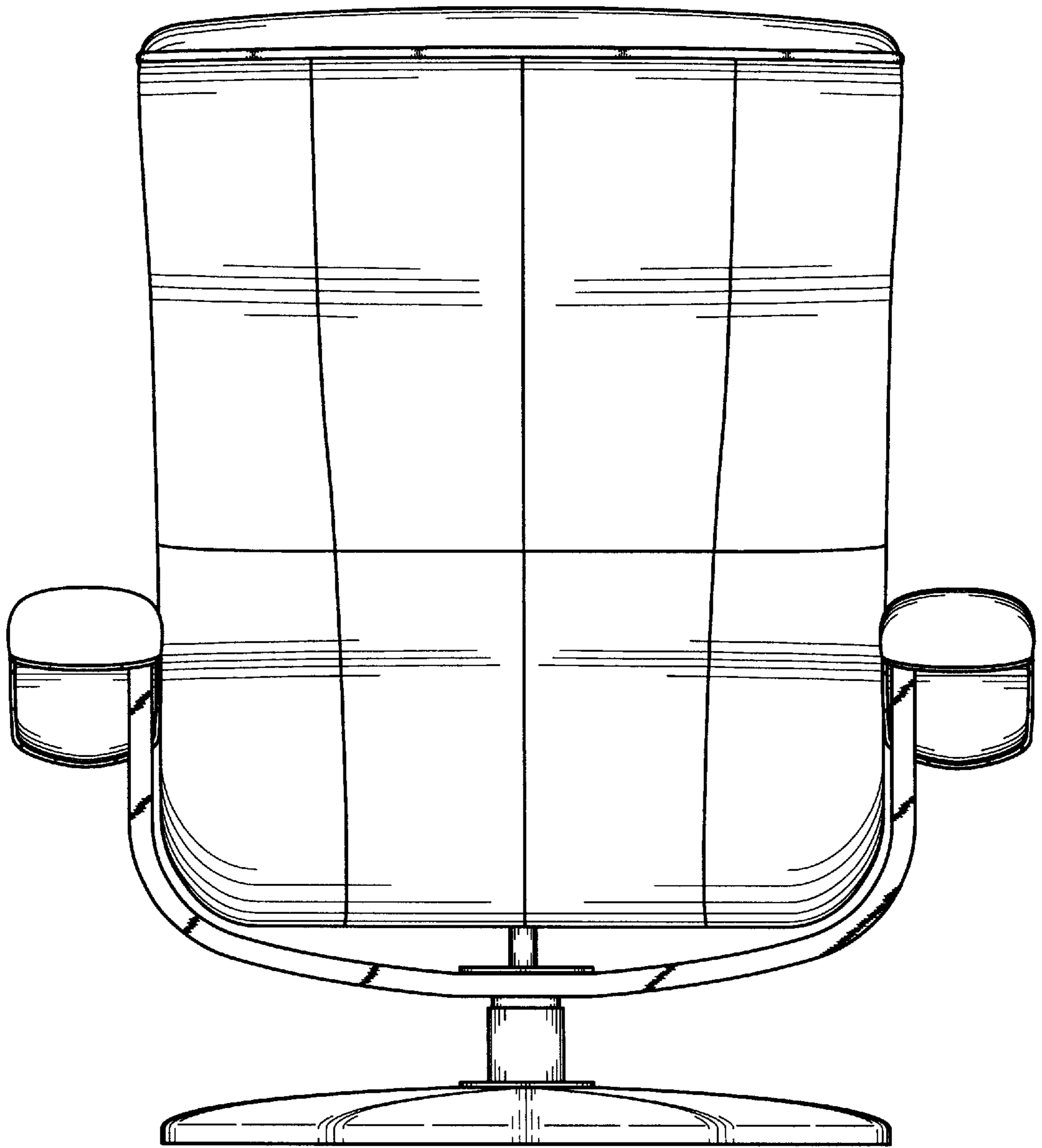


FIG. 3



FIG. 4

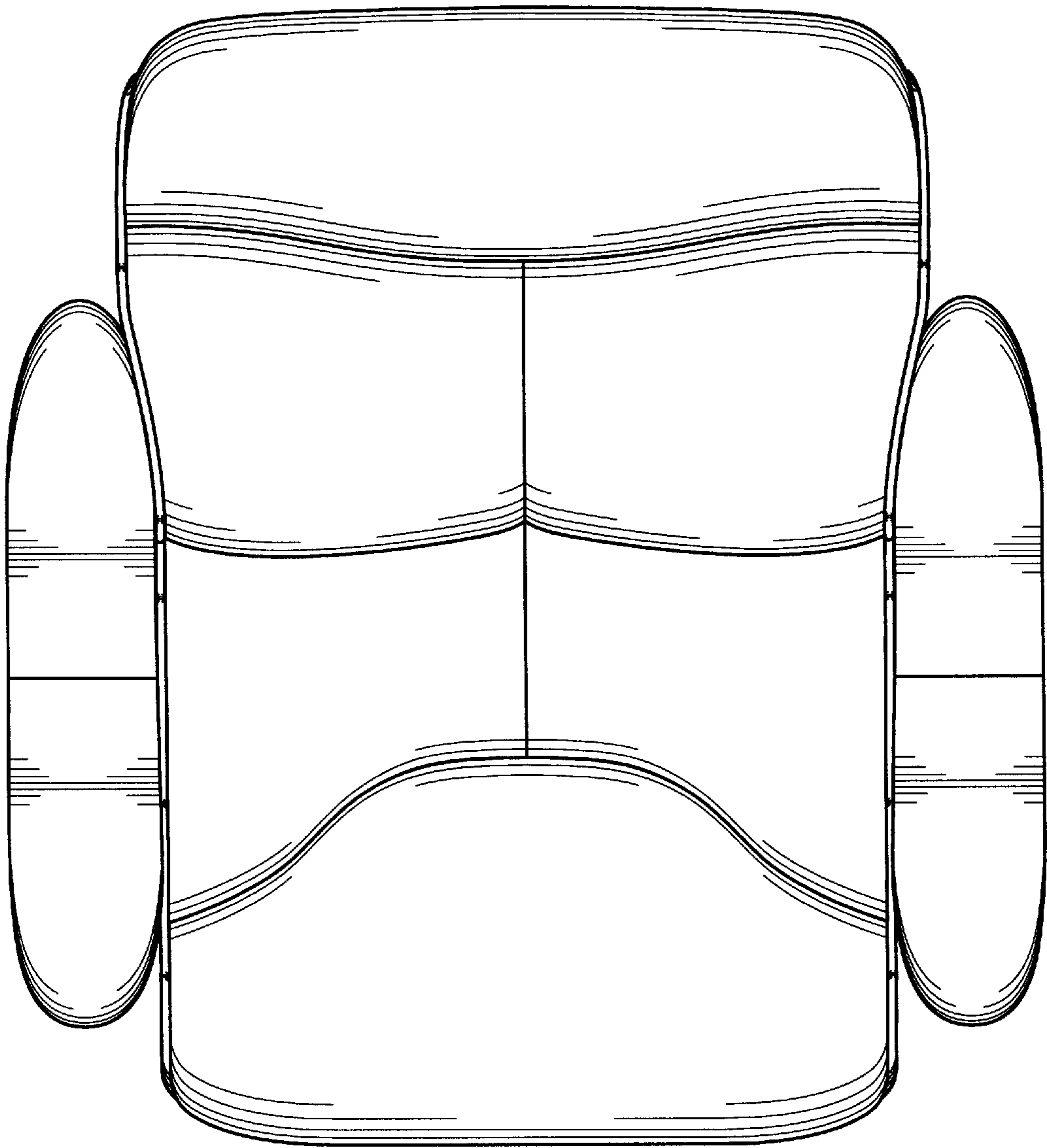


FIG. 5

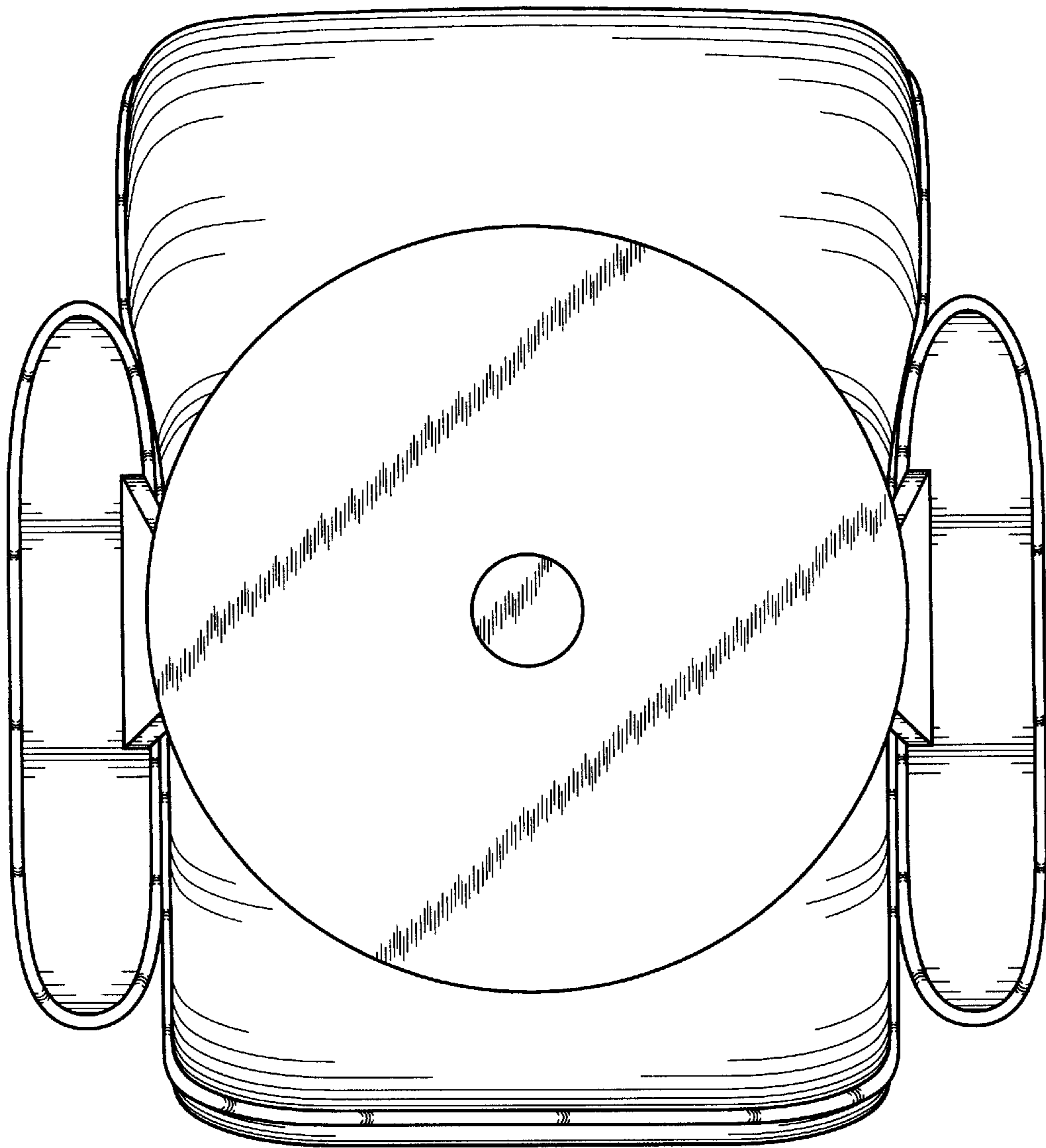


FIG. 6