



US00D459598S

(12) **United States Design Patent**
Andersen et al.

(10) **Patent No.:** **US D459,598 S**

(45) **Date of Patent:** **** Jul. 2, 2002**

(54) **ONE LEGGED STOOL**

(76) Inventors: **John R Andersen; Marsha K Andersen**, both of 615 E. 5640 S, Murray, UT (US) 84107

(**) Term: **14 Years**

(21) Appl. No.: **29/144,978**

(22) Filed: **Jul. 13, 2001**

(51) **LOC (7) Cl.** **06-01**

(52) **U.S. Cl.** **D6/349**

(58) **Field of Search** D6/349, 352, 353; 108/150; 297/461, 462, 195.1; 248/155.1, 156, 545

(56) **References Cited**

U.S. PATENT DOCUMENTS

177,025 A * 5/1876 Smith 248/155.1
699,932 A 5/1902 Smith
759,809 A 5/1904 Farley
D86,535 S * 3/1932 Novick D6/511
4,232,896 A 11/1980 Caldwell

4,676,547 A 6/1987 Spillman
4,700,914 A 10/1987 Cheetham
D330,134 S * 10/1992 Edmunds D6/511
D339,003 S 9/1993 Mele

* cited by examiner

Primary Examiner—Janice E. Seeger

(57) **CLAIM**

The ornamental design for a one legged stool, as shown and described.

DESCRIPTION

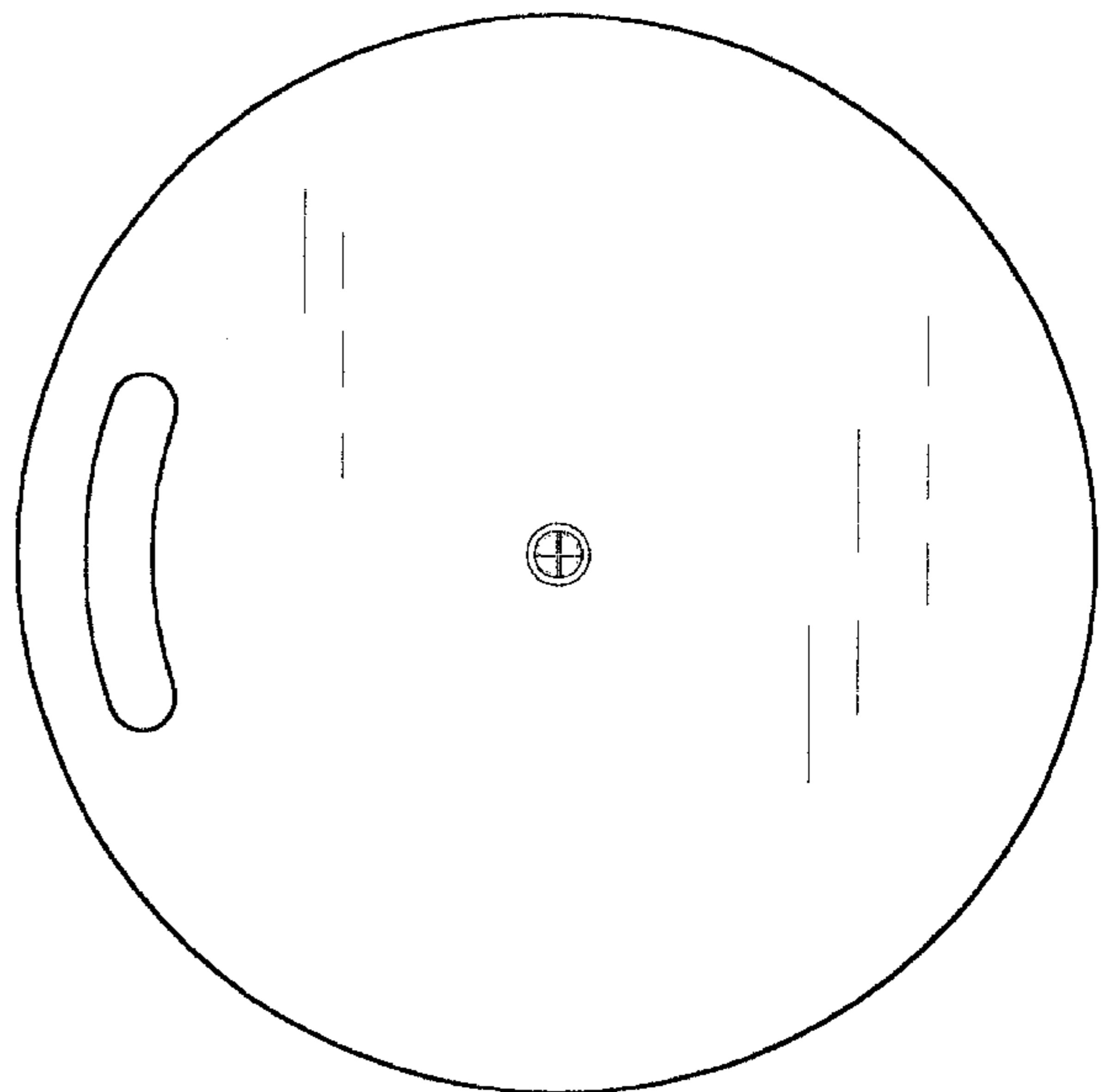
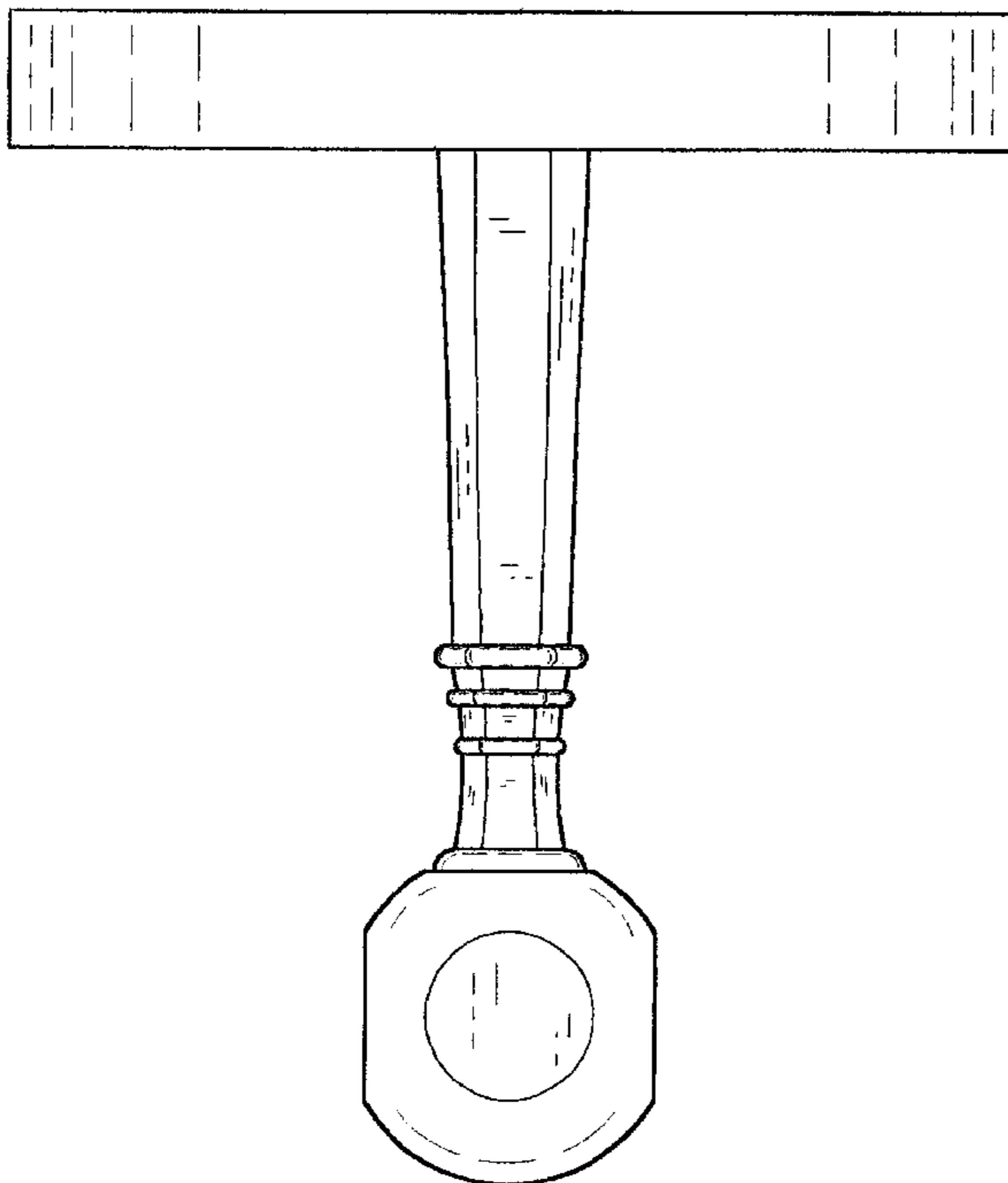
FIG. 1 is a front elevational view of the one legged stool of the present invention, the rear view being a mirror image thereof;

FIG. 2 is a left side elevational view of the one legged stool of FIG. 1, the right view being a mirror image thereof;

FIG. 3 is a top plan view of the one legged stool of FIG. 1; and,

FIG. 4 is a bottom plan view of the one legged stool of FIG. 1.

1 Claim, 2 Drawing Sheets



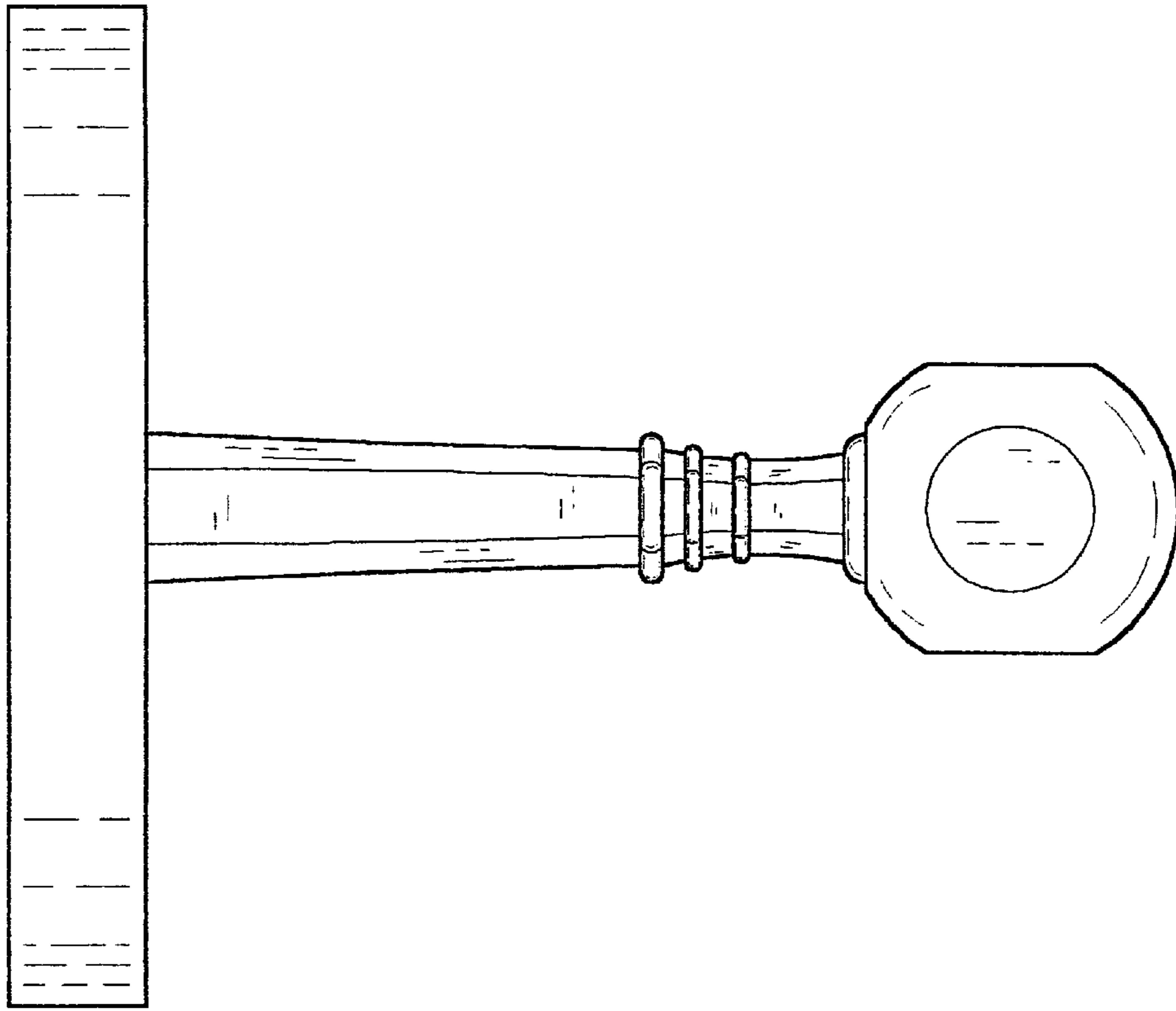


FIG. 2

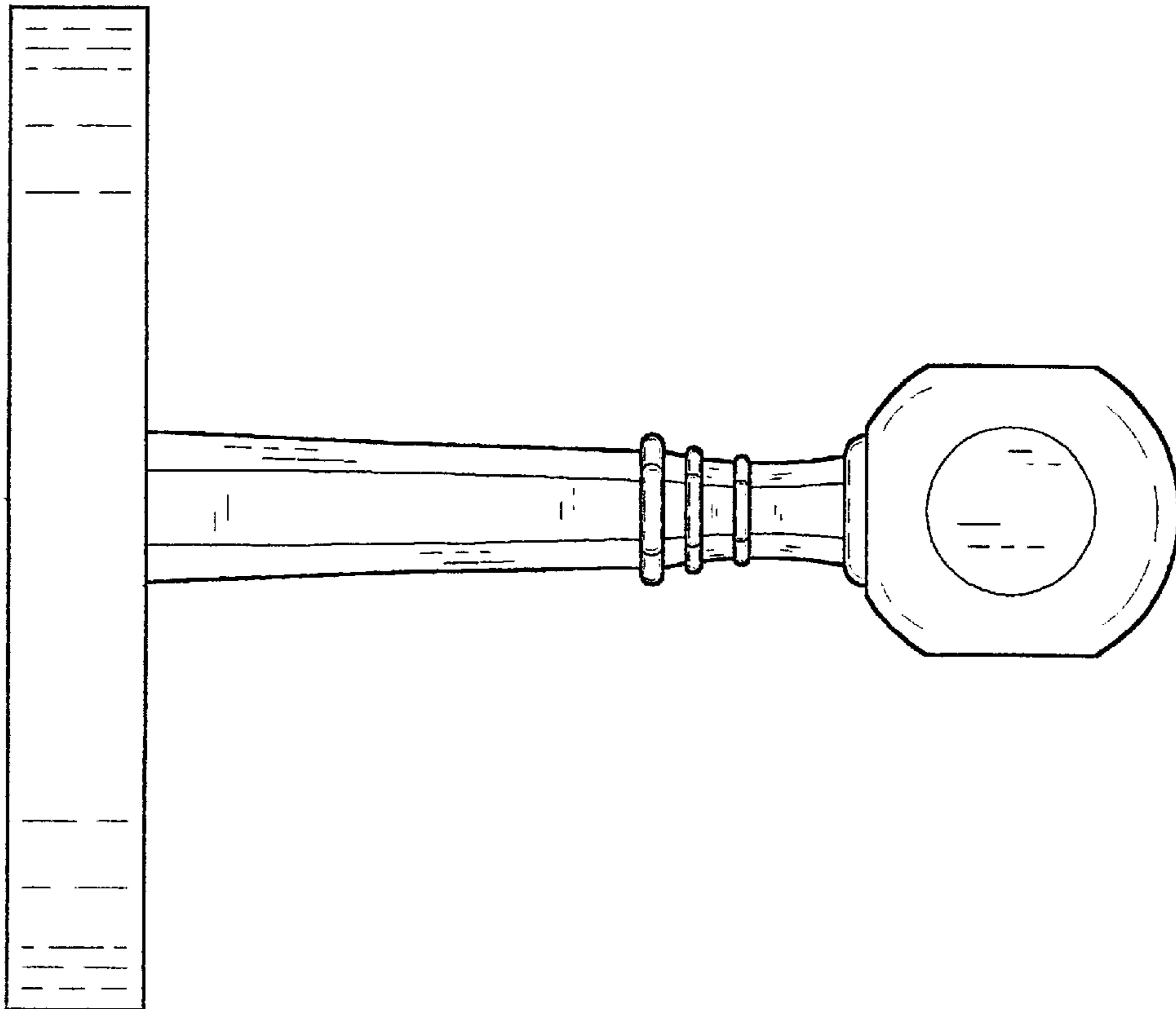


FIG. 1

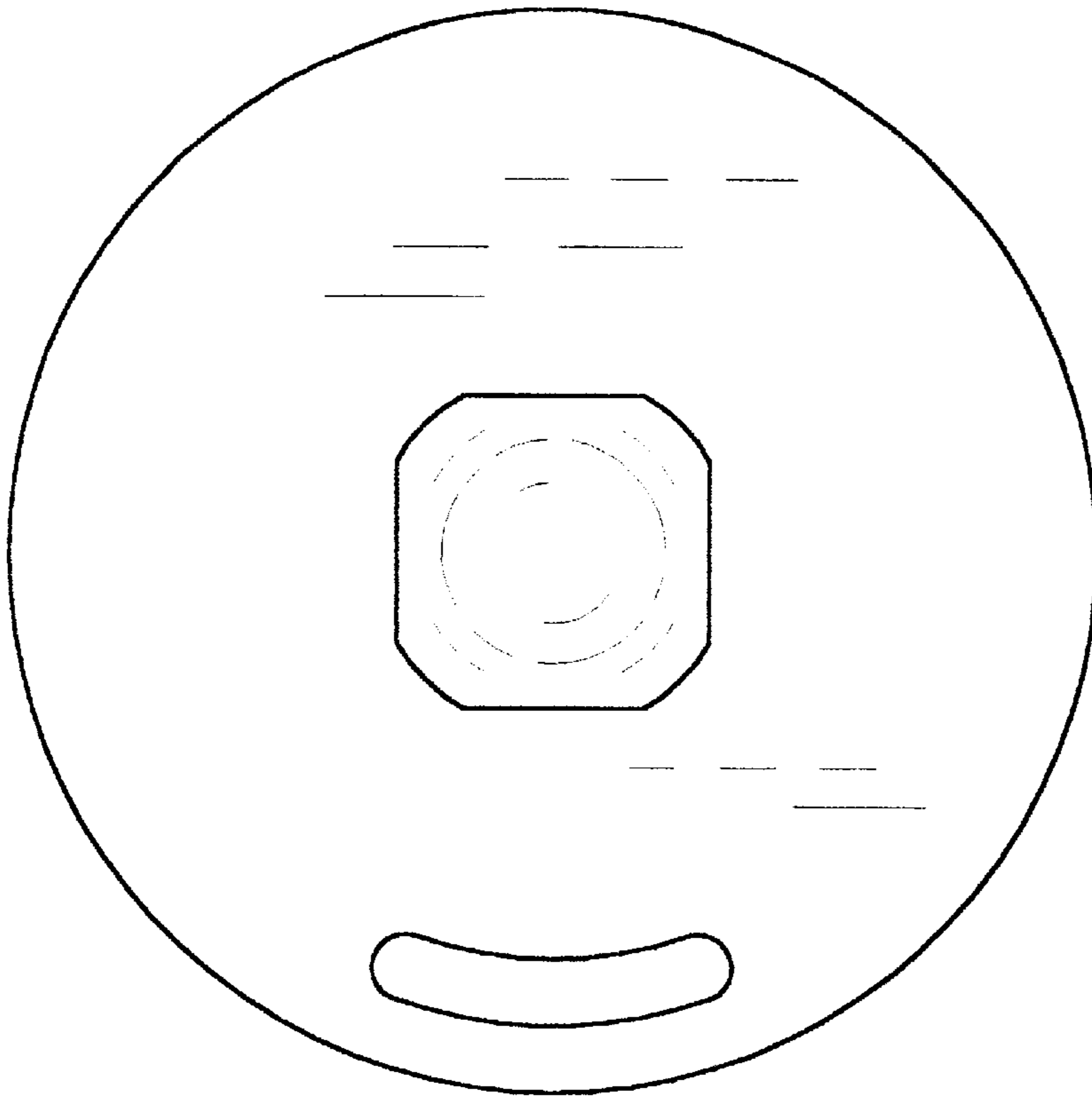


FIG. 4

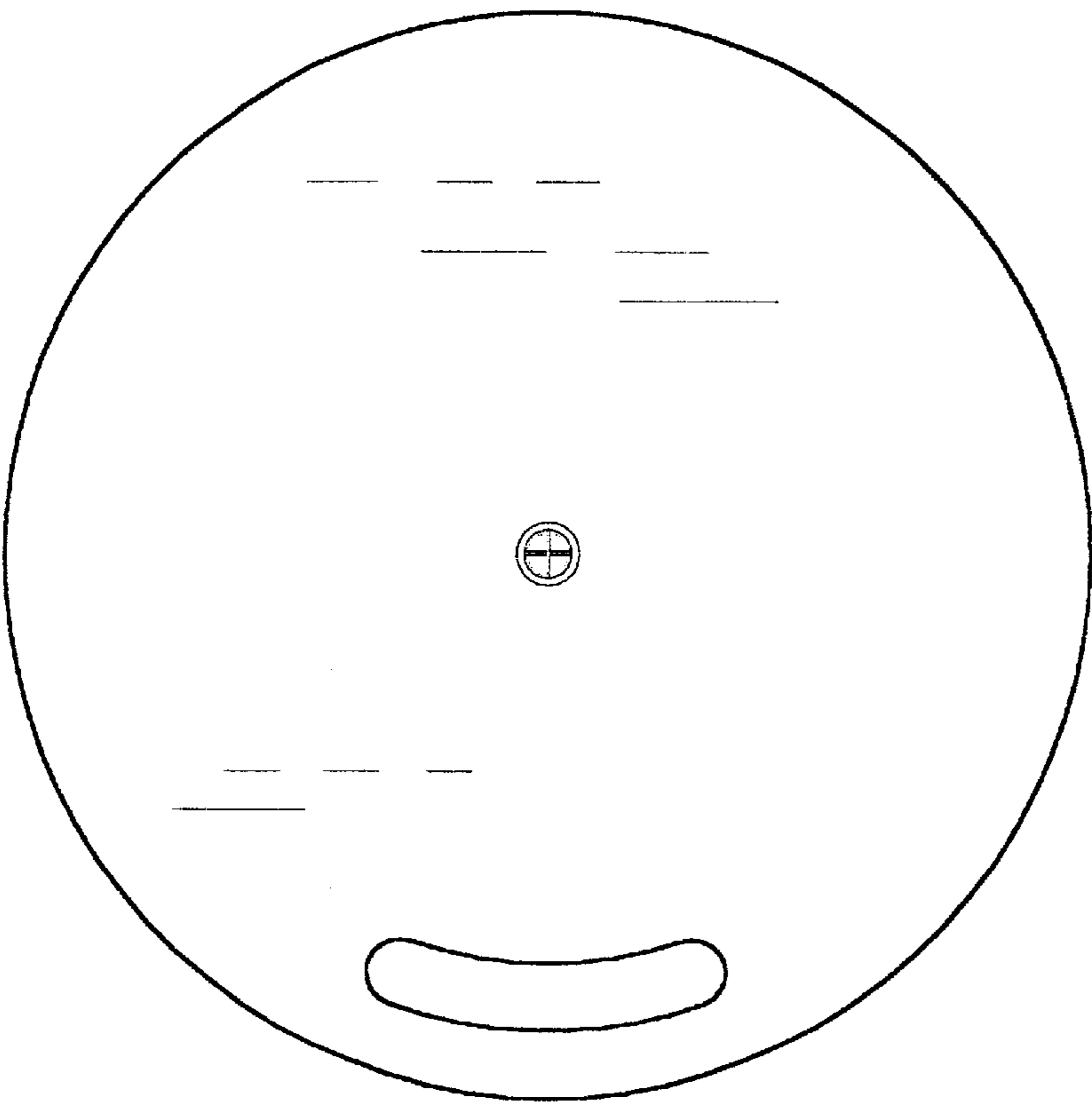


FIG. 3