



US00D459597S

(12) **United States Design Patent**  
**Calvey**

(10) **Patent No.:** **US D459,597 S**

(45) **Date of Patent:** **\*\* Jul. 2, 2002**

(54) **CHILD’S ROCKING CHAIR**

(76) Inventor: **Kacey J. Calvey**, W177 N8416  
Lynwood Dr., Menomonee Falls, WI  
(US) 53051

(\*\*) Term: **14 Years**

(21) Appl. No.: **29/148,634**

(22) Filed: **Sep. 24, 2001**

(51) **LOC (7) Cl.** ..... **06-01**

(52) **U.S. Cl.** ..... **D6/348**

(58) **Field of Search** ..... D6/334, 335, 344,  
D6/347, 348, 370, 379, 380, 381, 500–502;  
297/258.1, 271.5, 271.6, 272.1, 452.63,  
447.4, 440.18; D21/521

(56) **References Cited**

**U.S. PATENT DOCUMENTS**

|           |   |   |         |                 |       |            |
|-----------|---|---|---------|-----------------|-------|------------|
| 225,431   | A | * | 3/1880  | Smith           | ..... | 297/452.63 |
| 499,798   | A | * | 6/1893  | O’Keefe         | ..... | 297/447.4  |
| D67,482   | S | * | 6/1925  | Wurdack         | ..... | D6/347     |
| D198,625  | S | * | 7/1964  | Lockshin        | ..... | D6/348     |
| 6,132,342 | A | * | 10/2000 | McKinney et al. | ..... | 297/258.1  |

\* cited by examiner

*Primary Examiner*—Doris V. Coles

*Assistant Examiner*—Mimosa De

(74) *Attorney, Agent, or Firm*—Marshall, Gerstein, &  
Borun

(57) **CLAIM**

The ornamental design for a “child’s rocking chair”, as shown and described.

**DESCRIPTION**

FIG. 1 is a perspective view of the first embodiment of a “child’s rocking chair” according to the teachings of the present invention;

FIG. 2 is a front view of the “child’s rocking chair” as shown in FIG. 1;

FIG. 3 is a rear view of the “child’s rocking chair” as shown in FIG. 1;

FIG. 4 is a left side view of the “child’s rocking chair” as shown in FIG. 1;

FIG. 5 is a right-side view of the “child’s rocking chair” as shown in FIG. 1;

FIG. 6 is a top view of the “child’s rocking chair” as shown in FIG. 1;

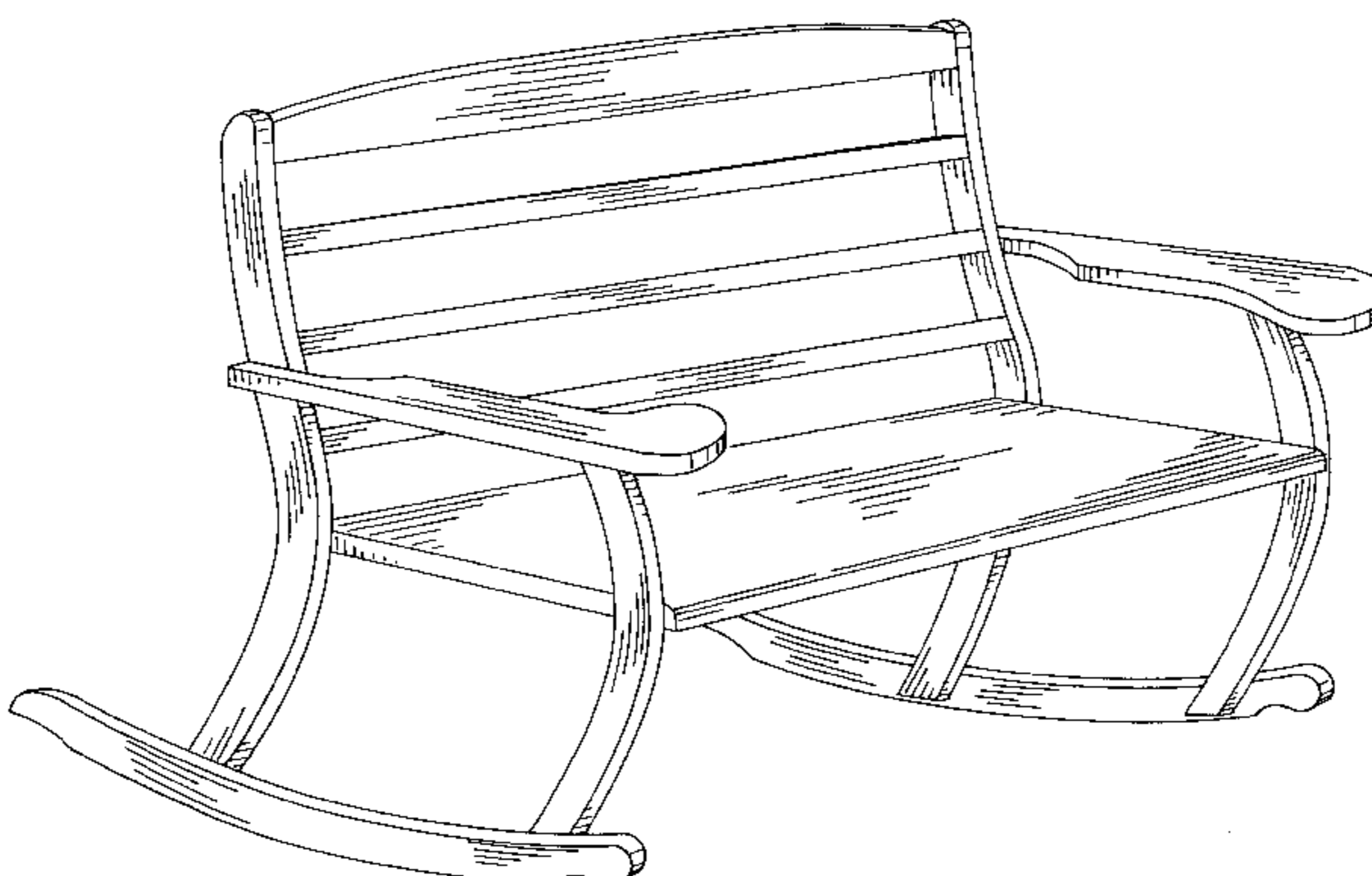
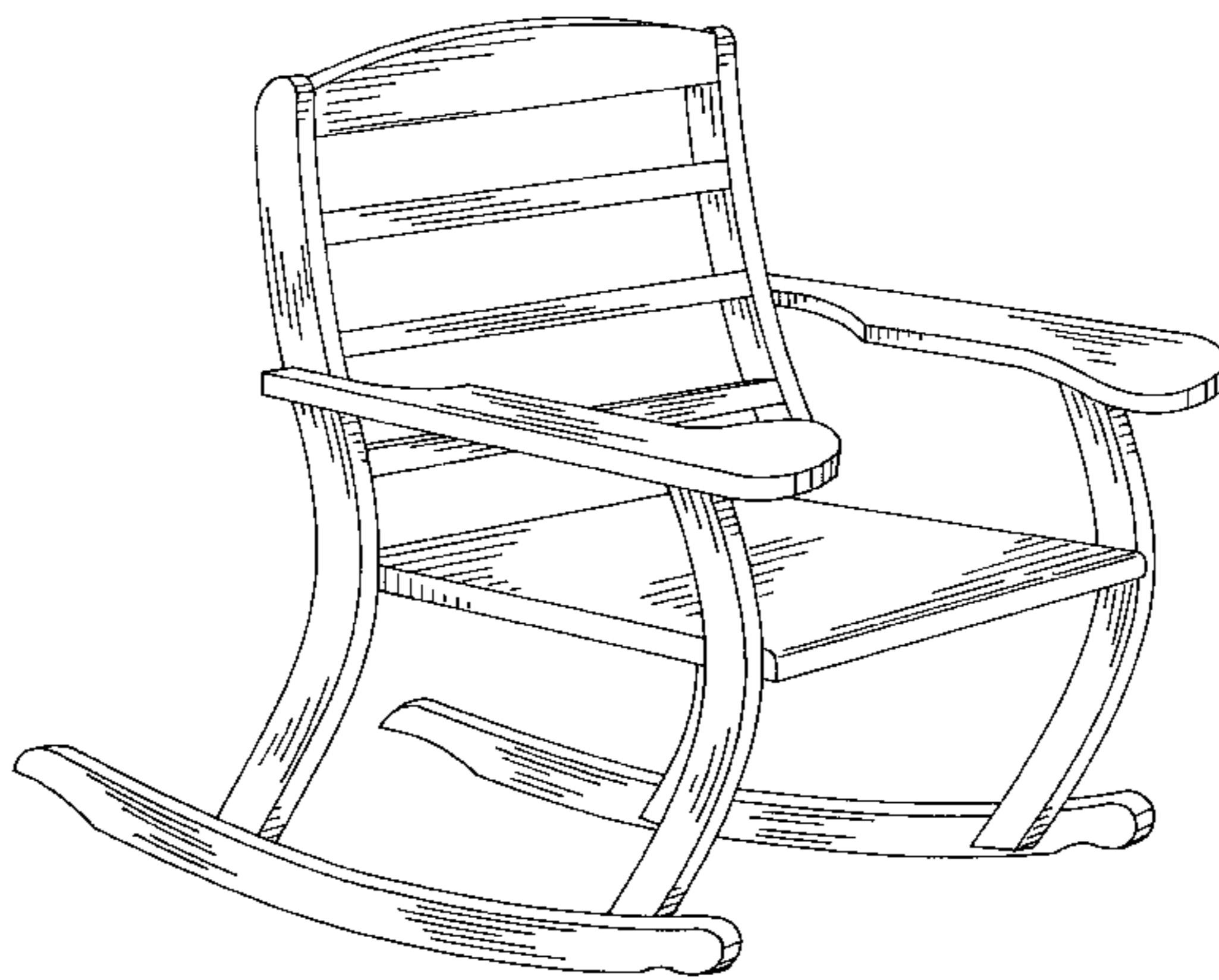
FIG. 7 is a bottom view of the “child’s rocking chair” as shown in FIG. 1;

FIG. 8 is a perspective view of the second embodiment of a “child’s rocking chair” according to the teachings of the present invention;

FIG. 9 is a front view of the “child’s rocking chair” as shown in FIG. 8; and,

FIG. 10 is a bottom view of the “child’s rocking chair” as shown in FIG. 8.

**1 Claim, 10 Drawing Sheets**



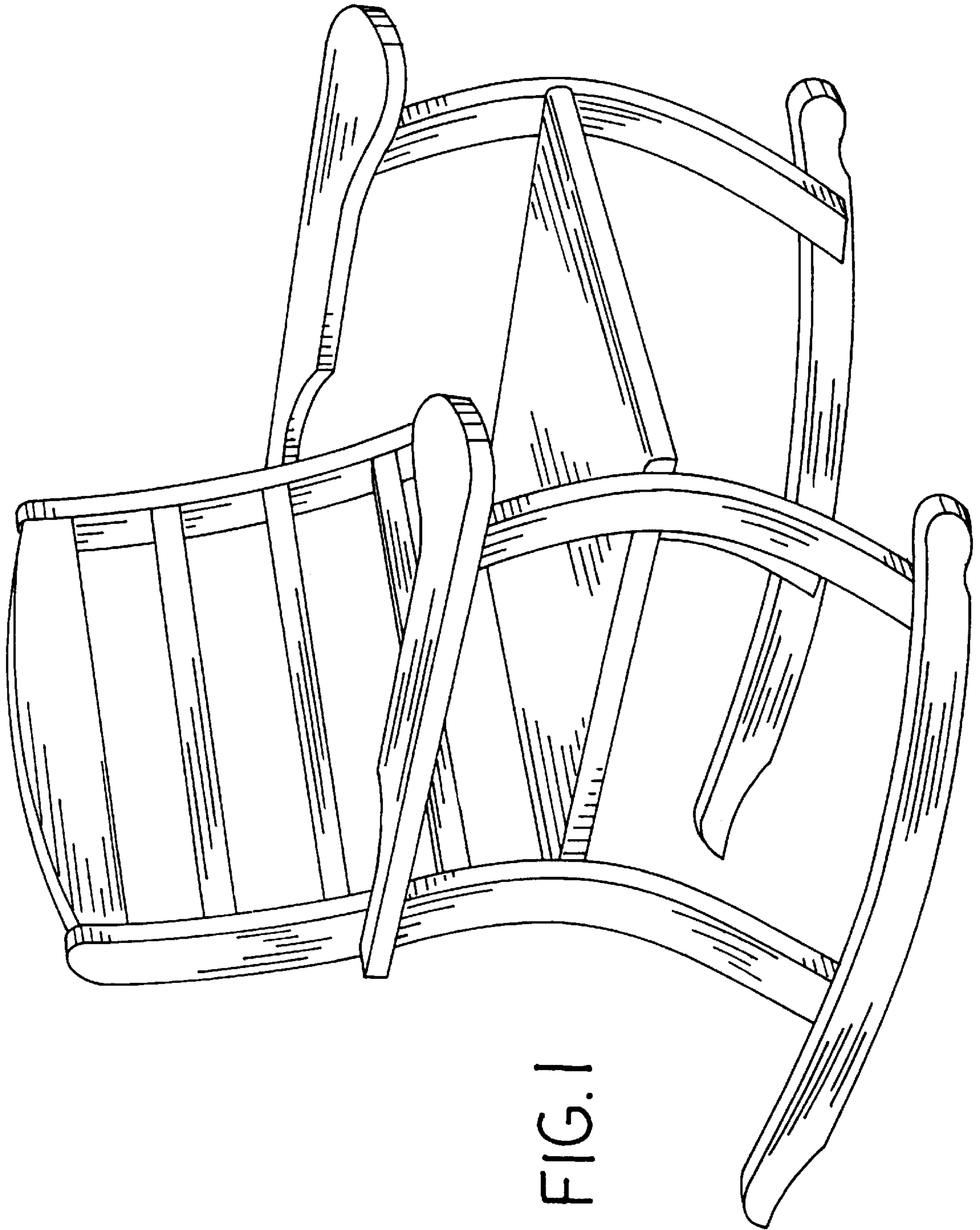


FIG. 1

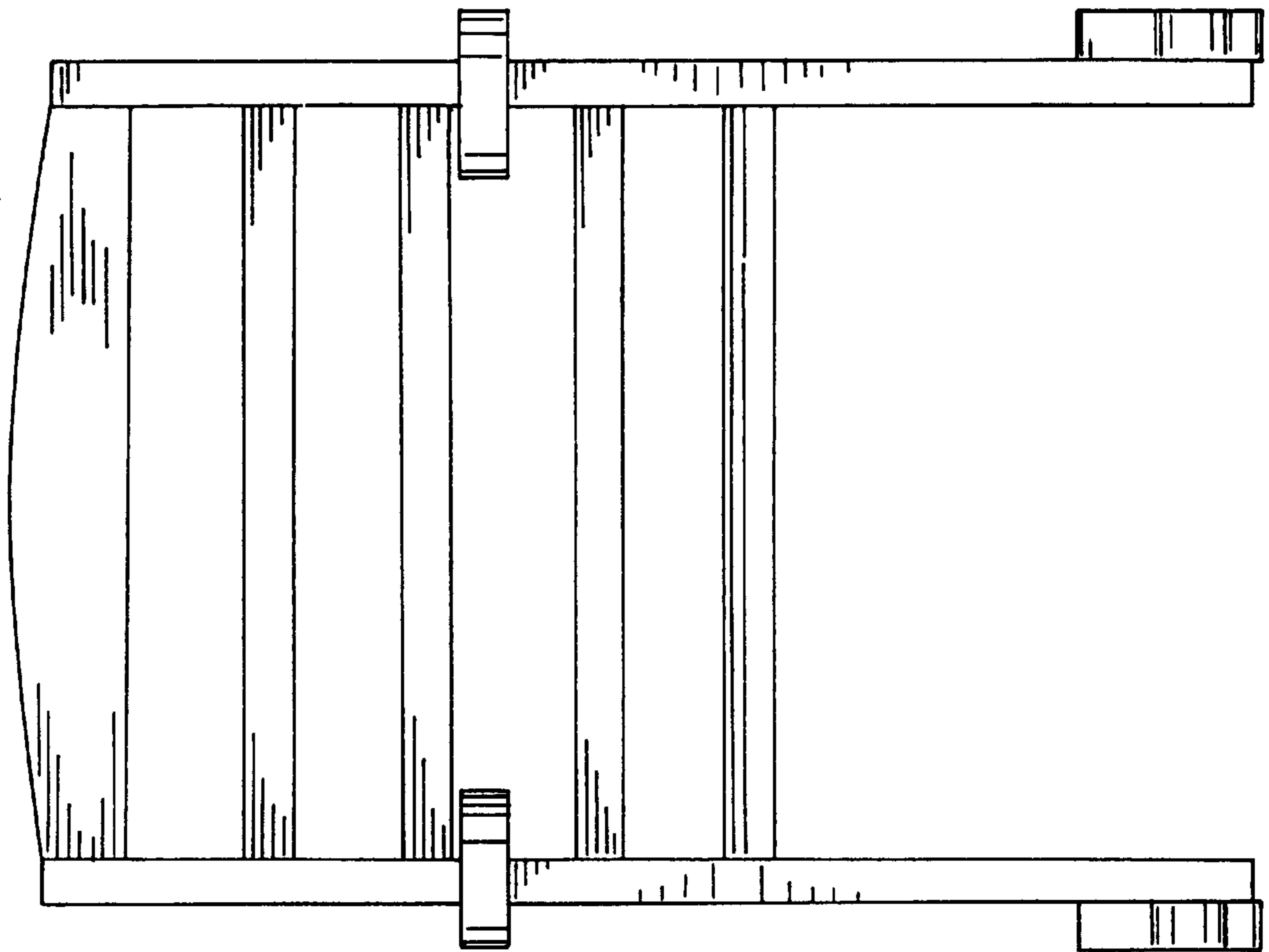


FIG. 2

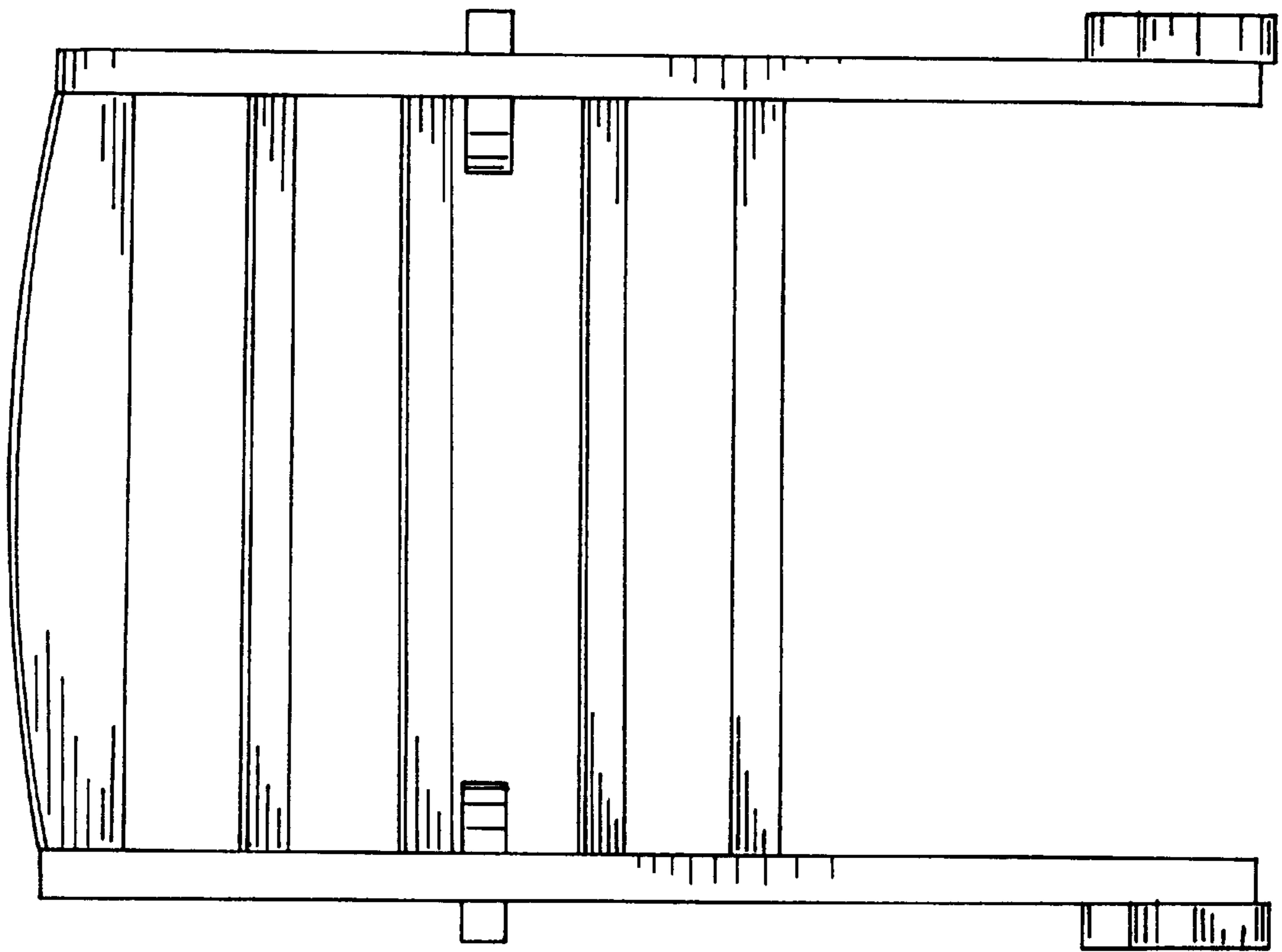
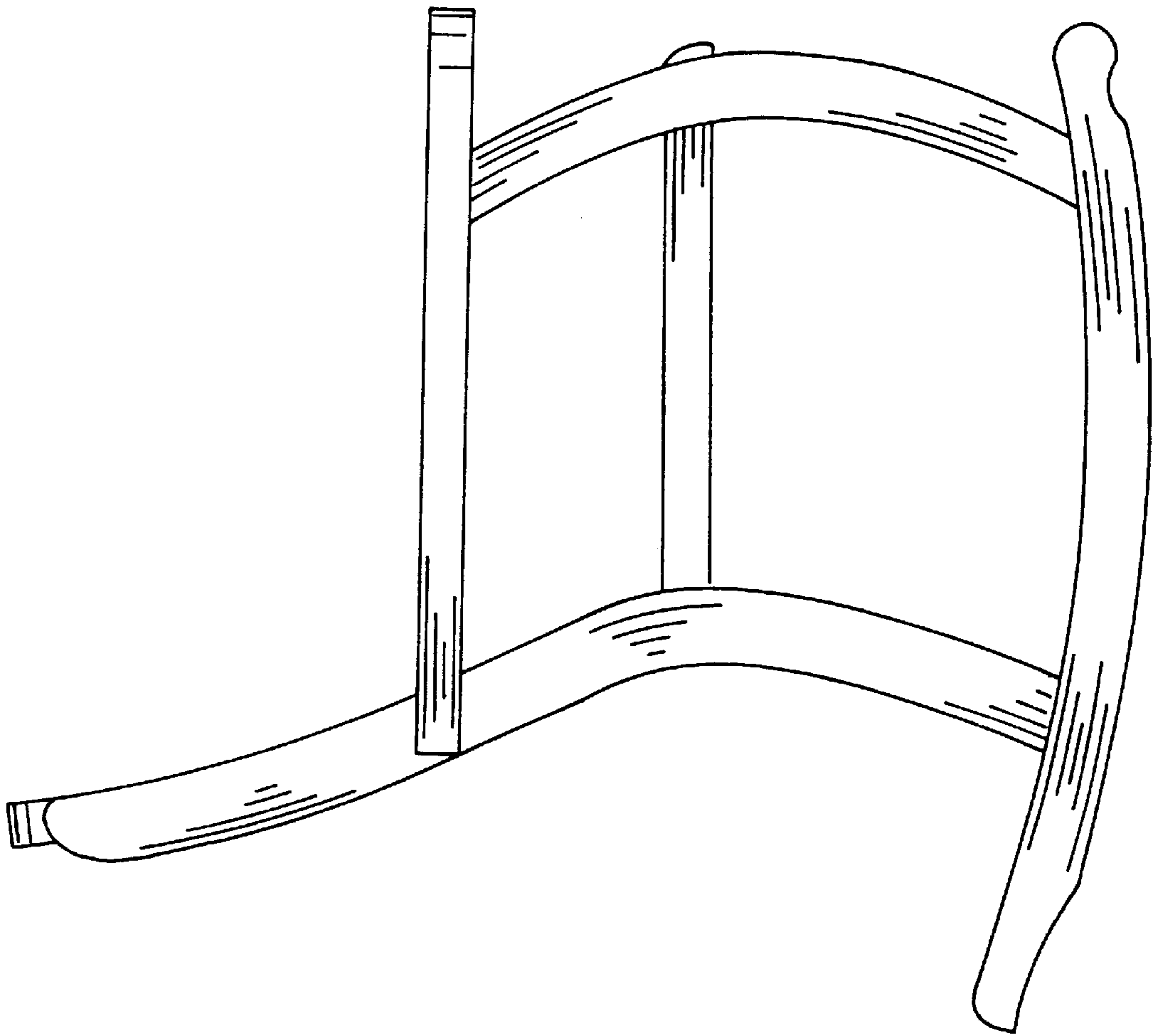


FIG. 3

FIG. 4



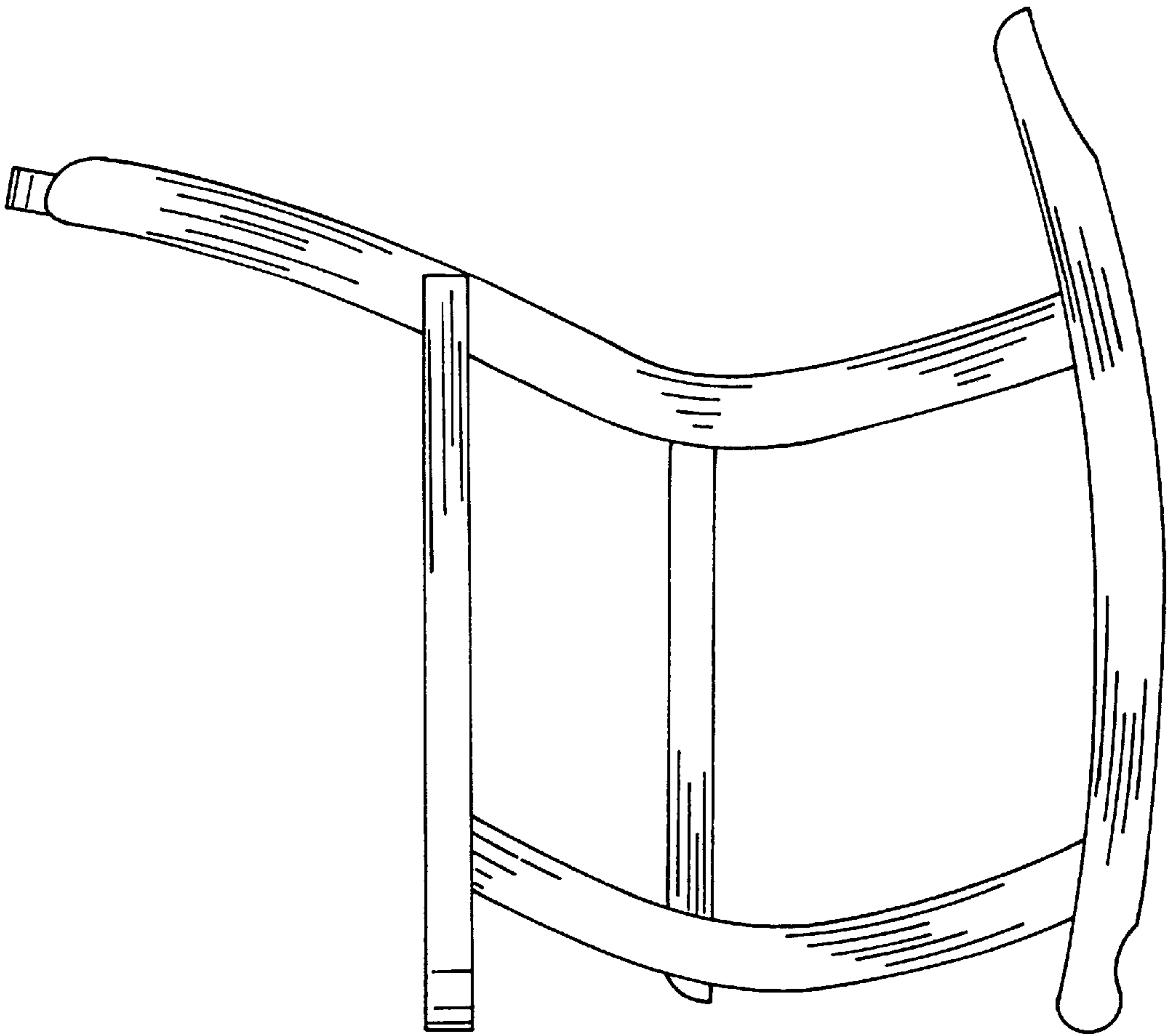
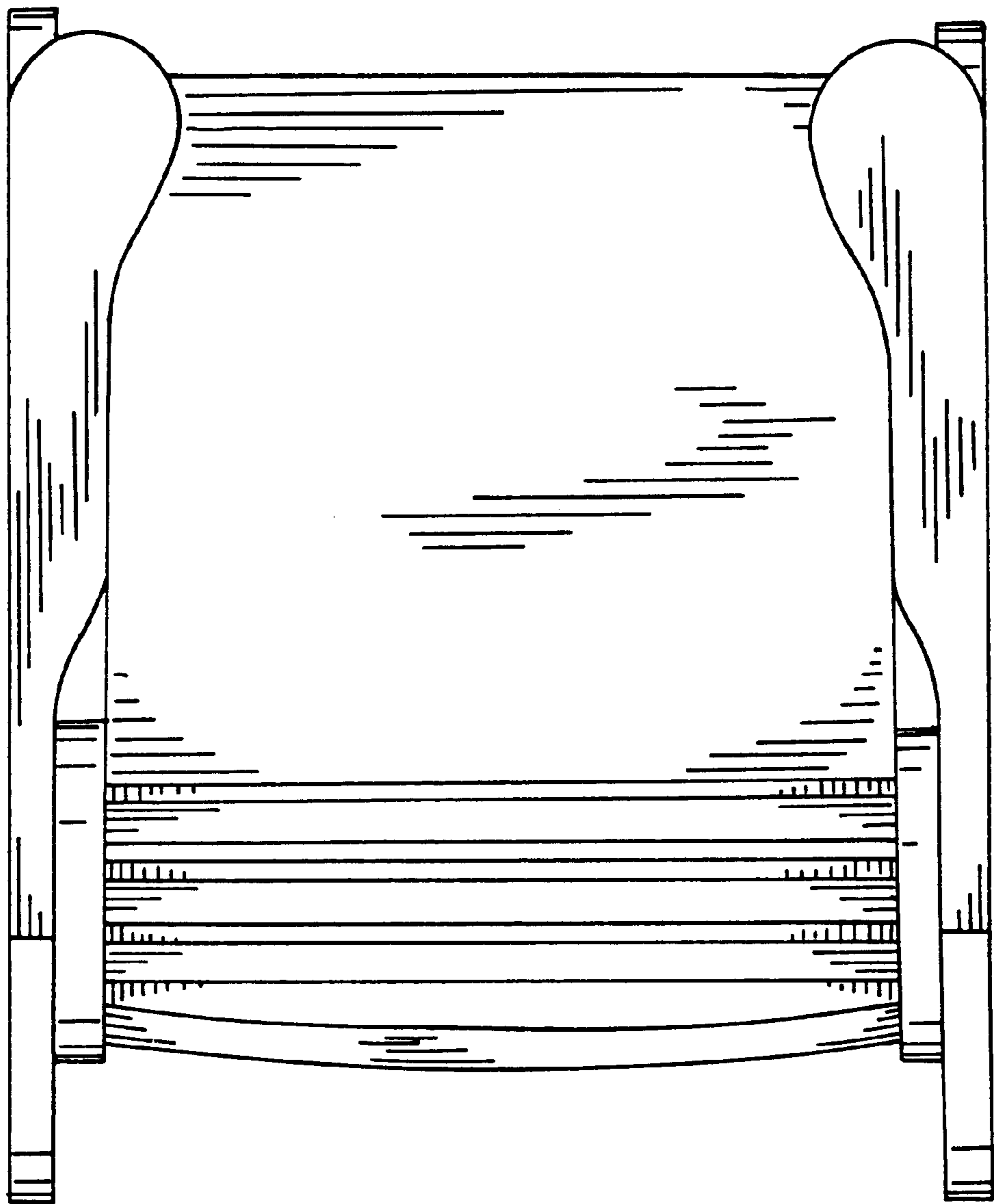


FIG. 5

FIG. 6



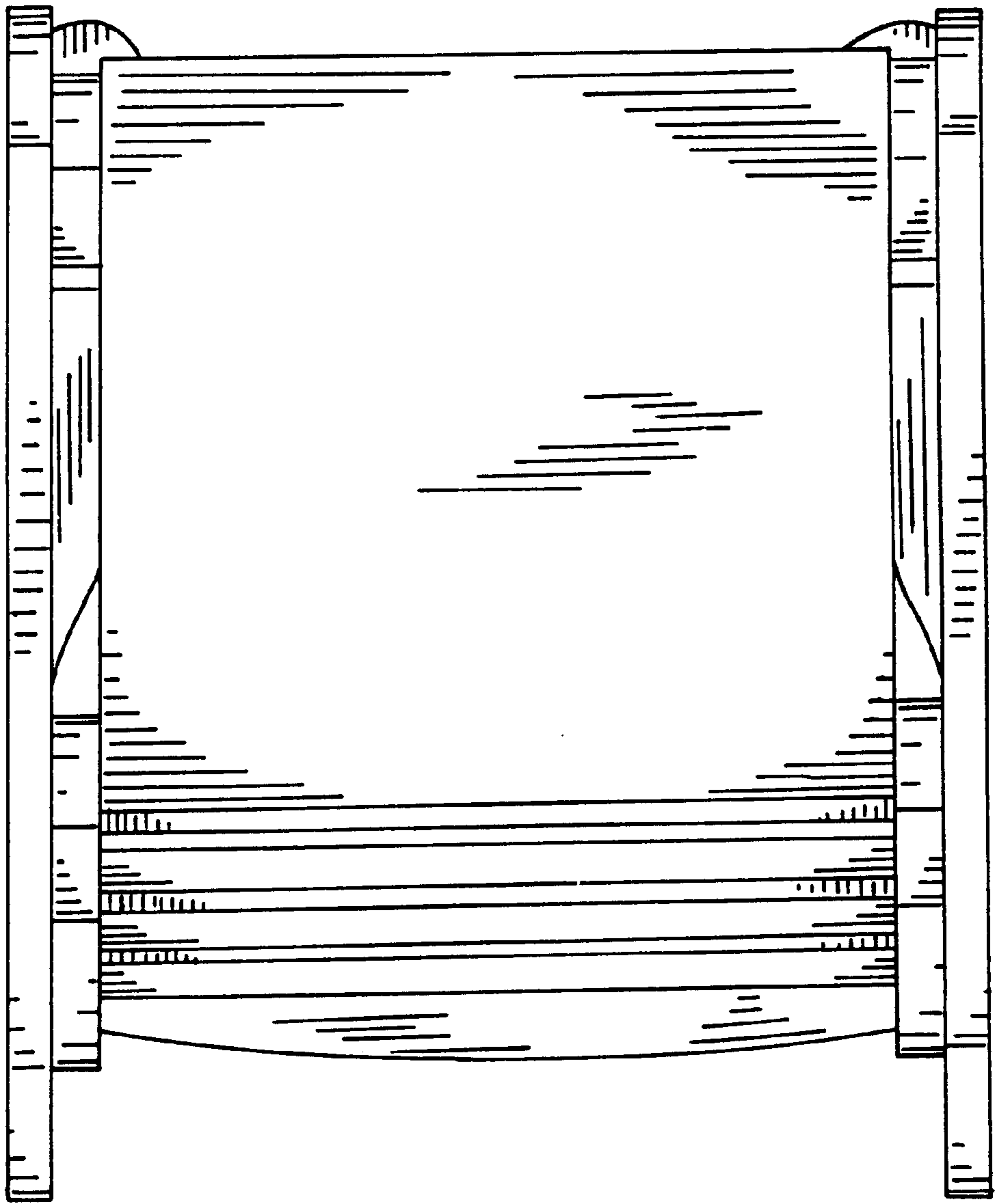


FIG. 7



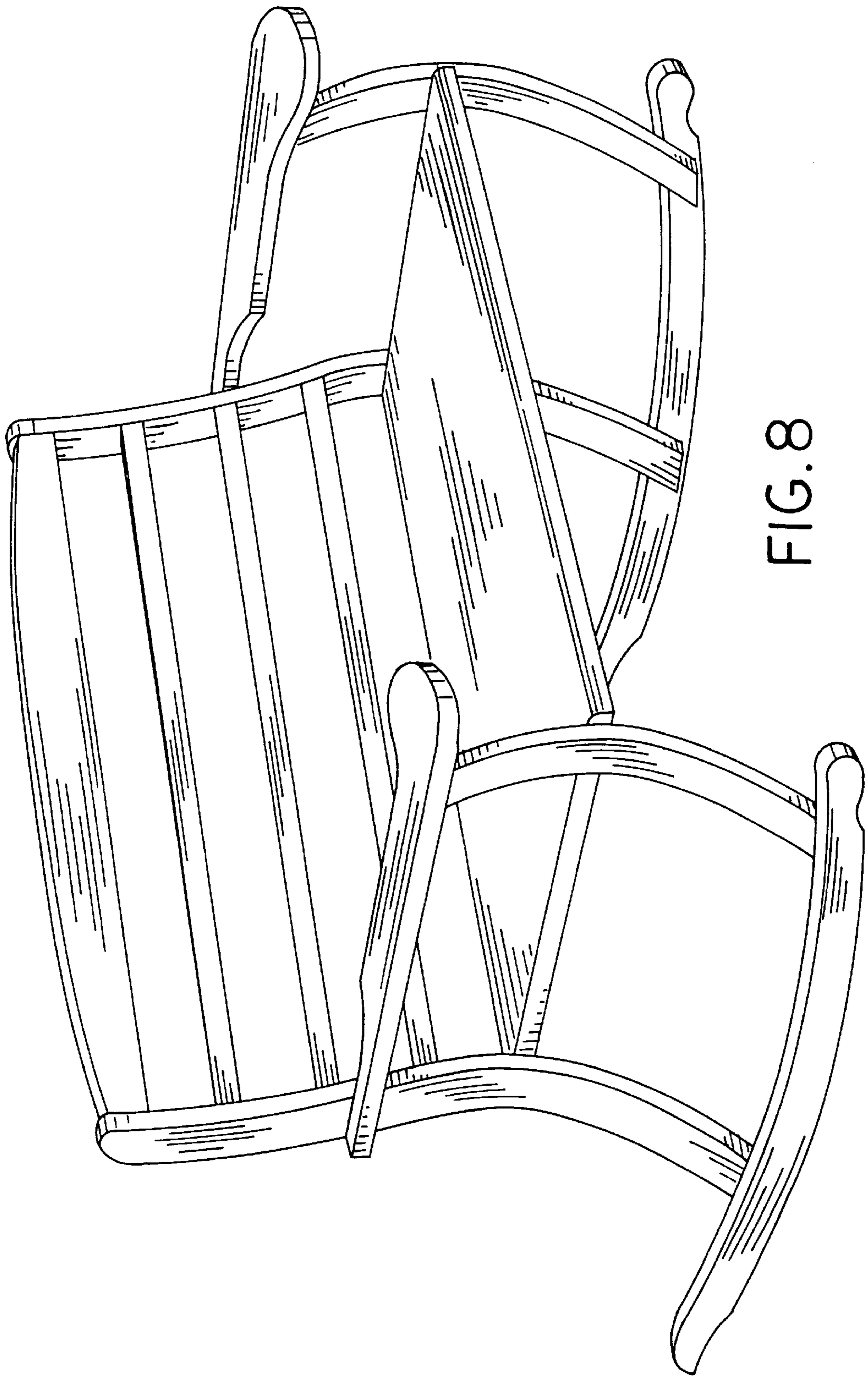


FIG. 8

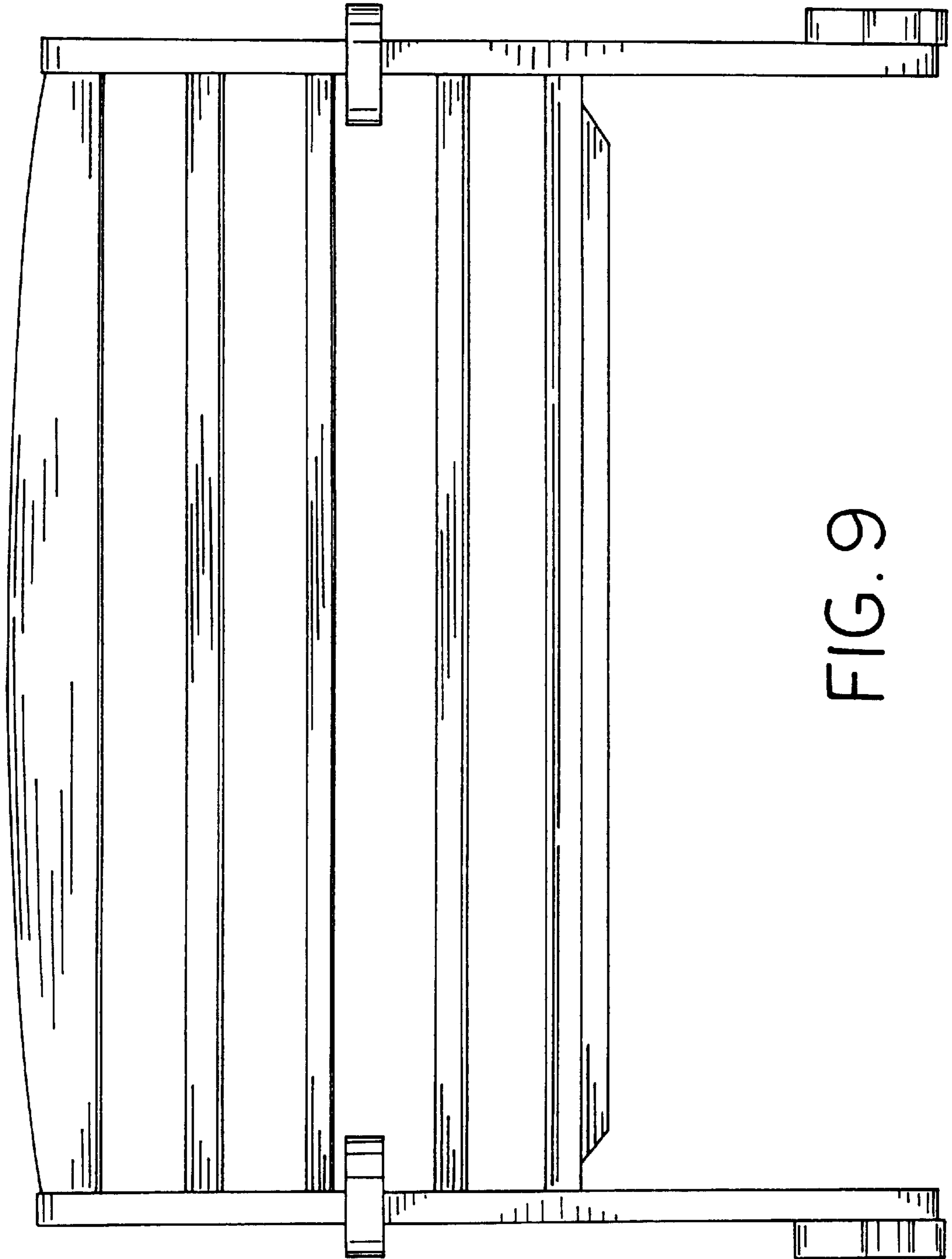


FIG. 9

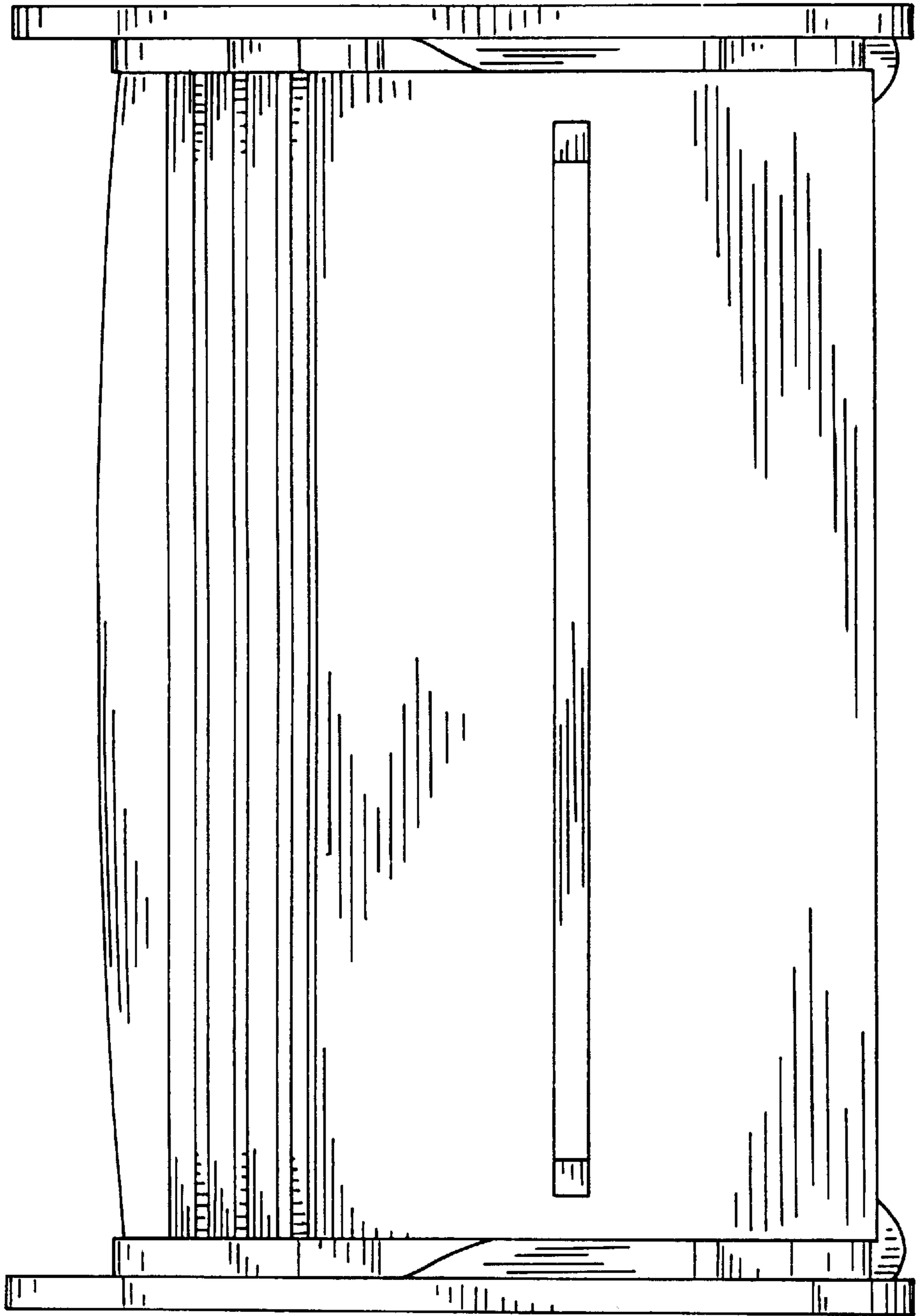


FIG. 10