



US00D459596S

(12) **United States Design Patent**  
**Tseng**

(10) **Patent No.:** **US D459,596 S**

(45) **Date of Patent:** **\*\* Jul. 2, 2002**

(54) **SWING**  
(75) Inventor: **Chuen-Jong Tseng**, Chiayi Hsien (TW)  
(73) Assignee: **Shin Yeh Enterprise Co., Ltd.**, Chiayi Hsien (TW)  
(\*\*) Term: **14 Years**

(21) Appl. No.: **29/148,518**  
(22) Filed: **Sep. 21, 2001**

(51) **LOC (7) Cl.** ..... **06-01**  
(52) **U.S. Cl.** ..... **D6/344; D6/347**  
(58) **Field of Search** ..... **D6/334, 335, 344, D6/346, 347, 374, 375, 500-502; 297/273, 277, 280, 281, 452.13, 452.19, 452.2; 472/118, 125**

(56) **References Cited**  
**U.S. PATENT DOCUMENTS**

D135,694 S \* 5/1943 Smith ..... D6/347

D417,791 S \* 12/1999 Liu ..... D6/347  
6,019,427 A \* 2/2000 Combest ..... 297/277  
D450,938 S \* 11/2001 Liu ..... D6/347

\* cited by examiner

*Primary Examiner*—Doris V. Coles  
*Assistant Examiner*—Mimosa De  
(74) *Attorney, Agent, or Firm*—Ladas & Parry

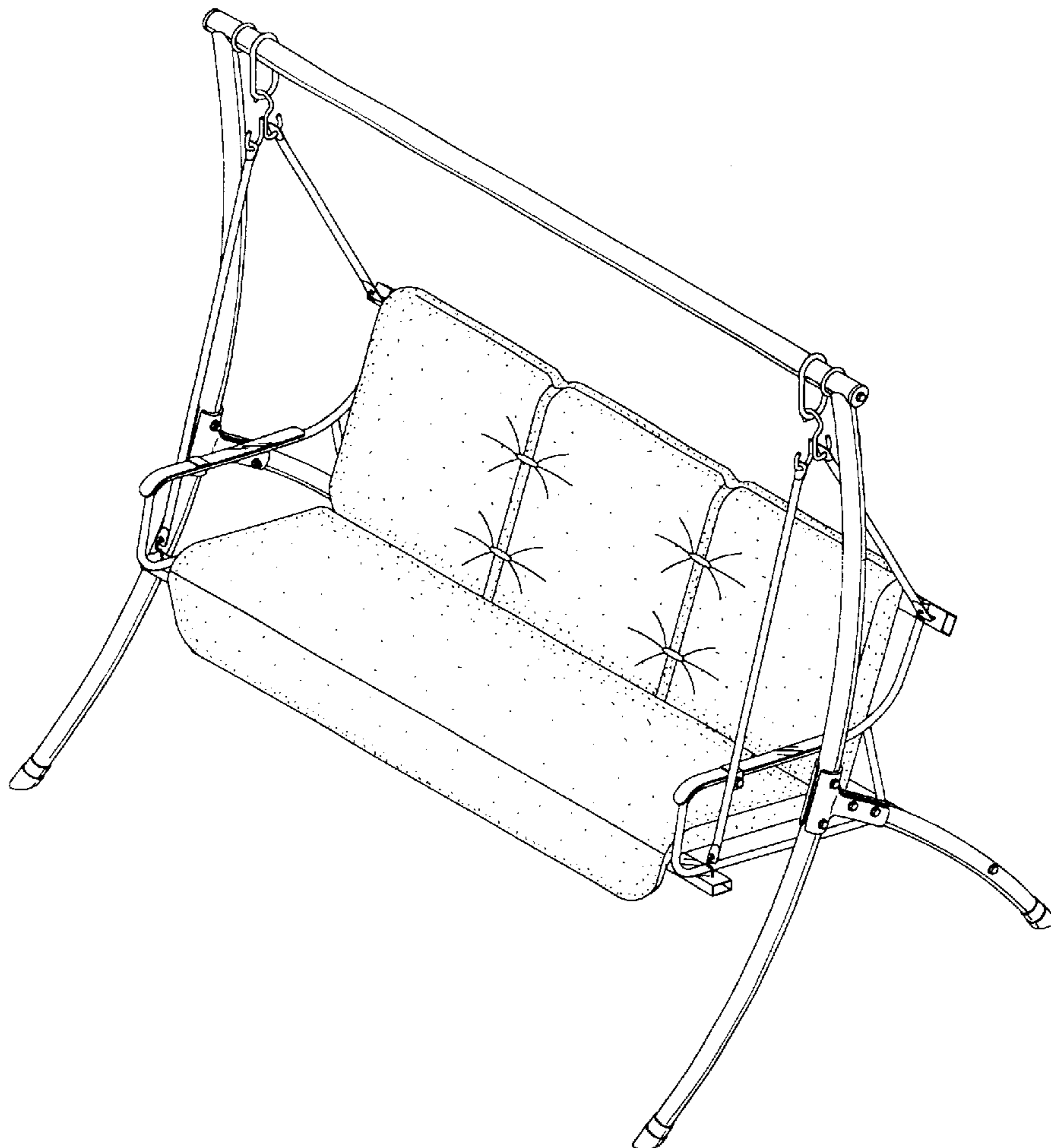
(57) **CLAIM**

The ornamental design for a swing, as shown and described.

**DESCRIPTION**

FIG. 1 is a perspective view of a swing showing my new design;  
FIG. 2 is a front elevational view thereof;  
FIG. 3 is a rear elevational view thereof;  
FIG. 4 is a left side elevational view thereof;  
FIG. 5 is a right side elevational view thereof;  
FIG. 6 is a top plan view thereof; and,  
FIG. 7 is a bottom plan view thereof.

**1 Claim, 4 Drawing Sheets**



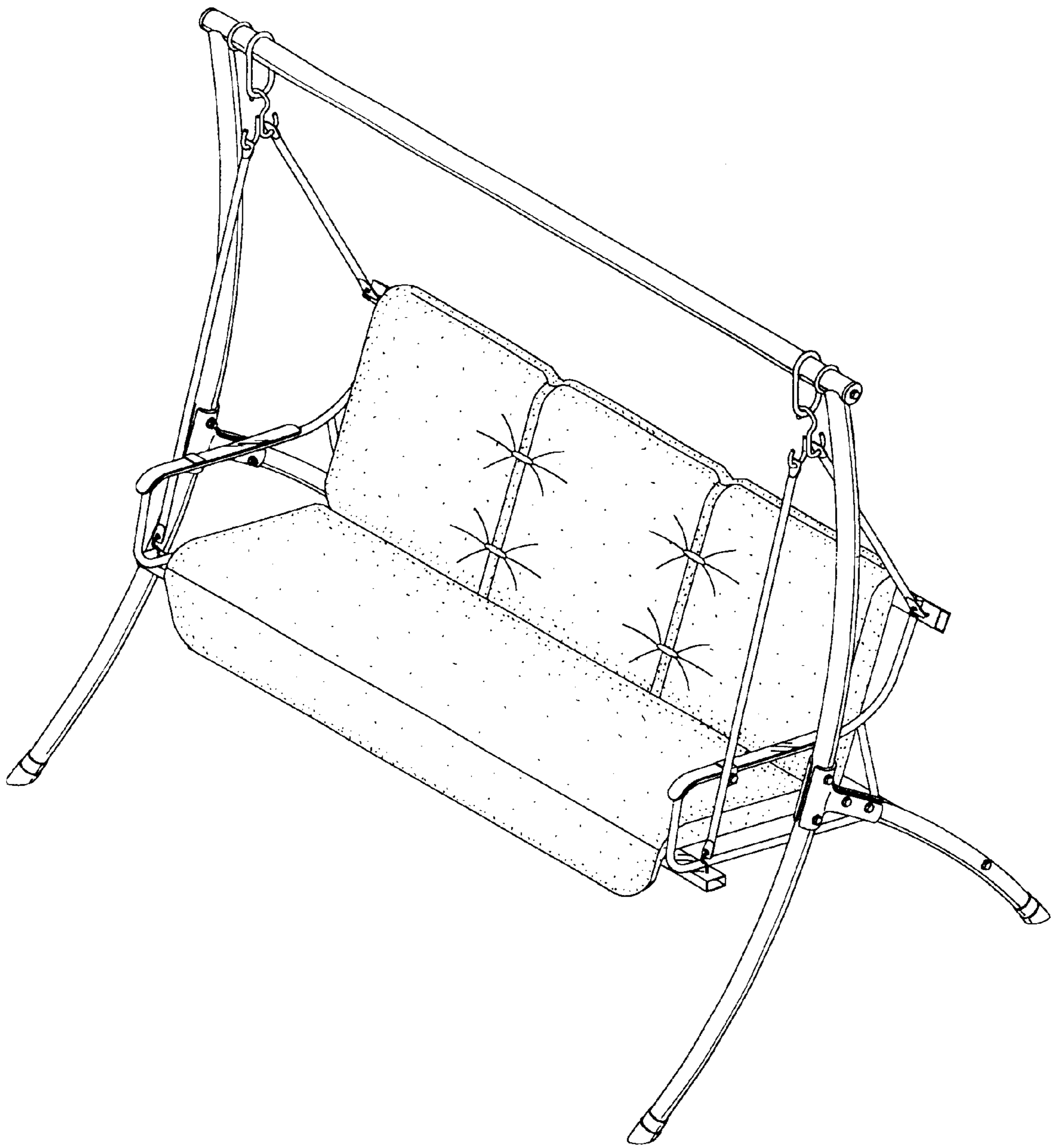


FIG. 1

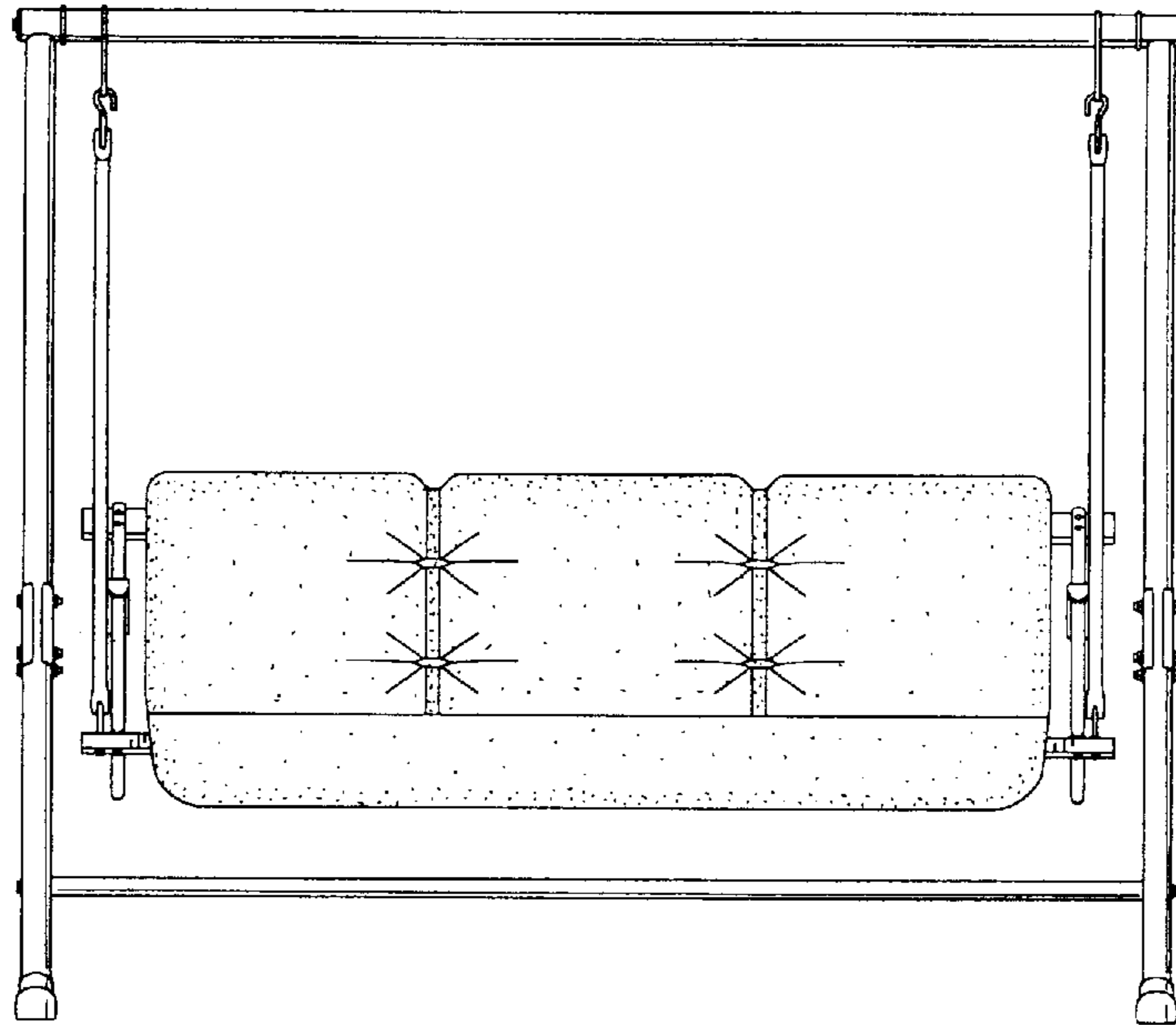


FIG. 2

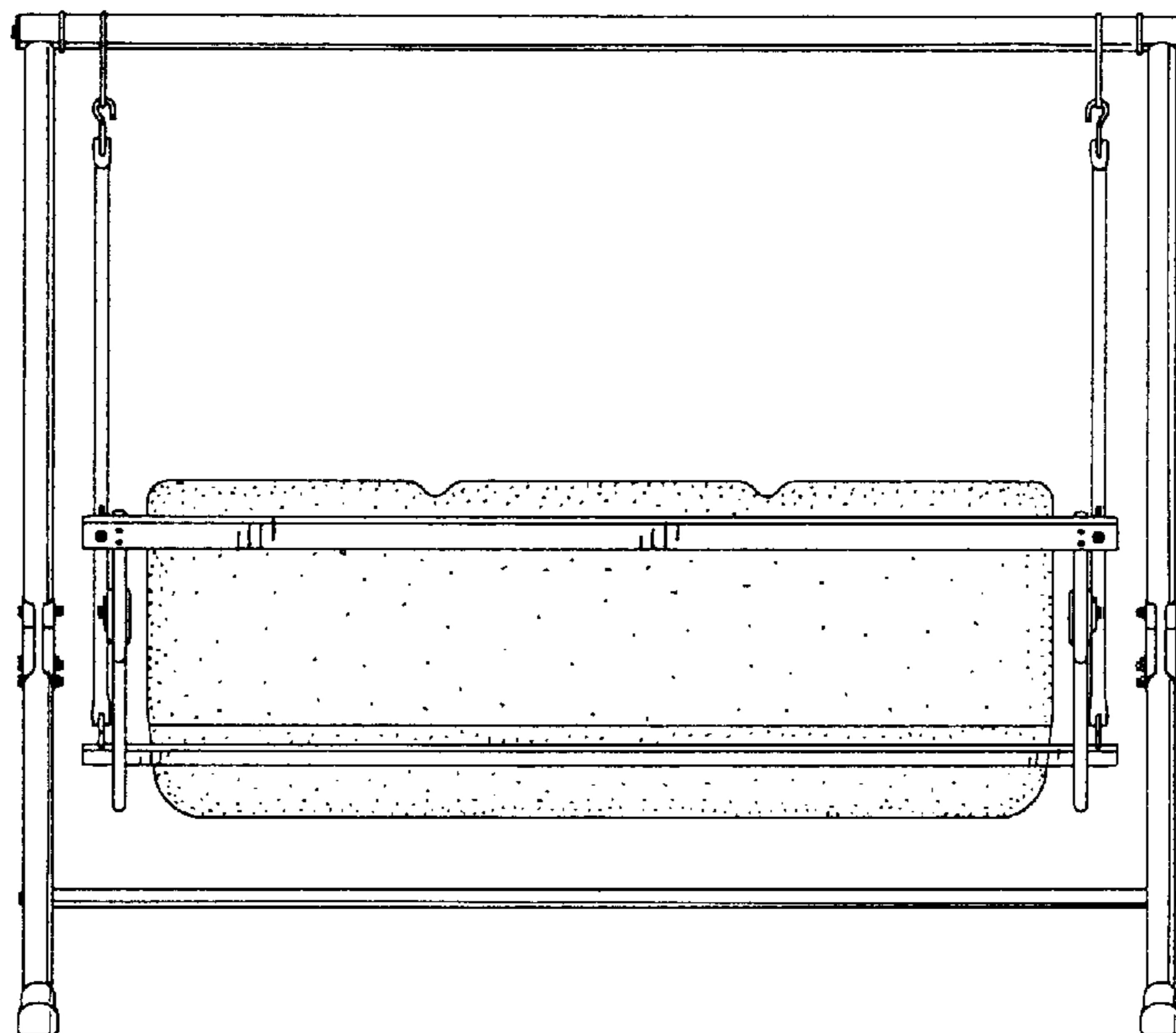


FIG. 3

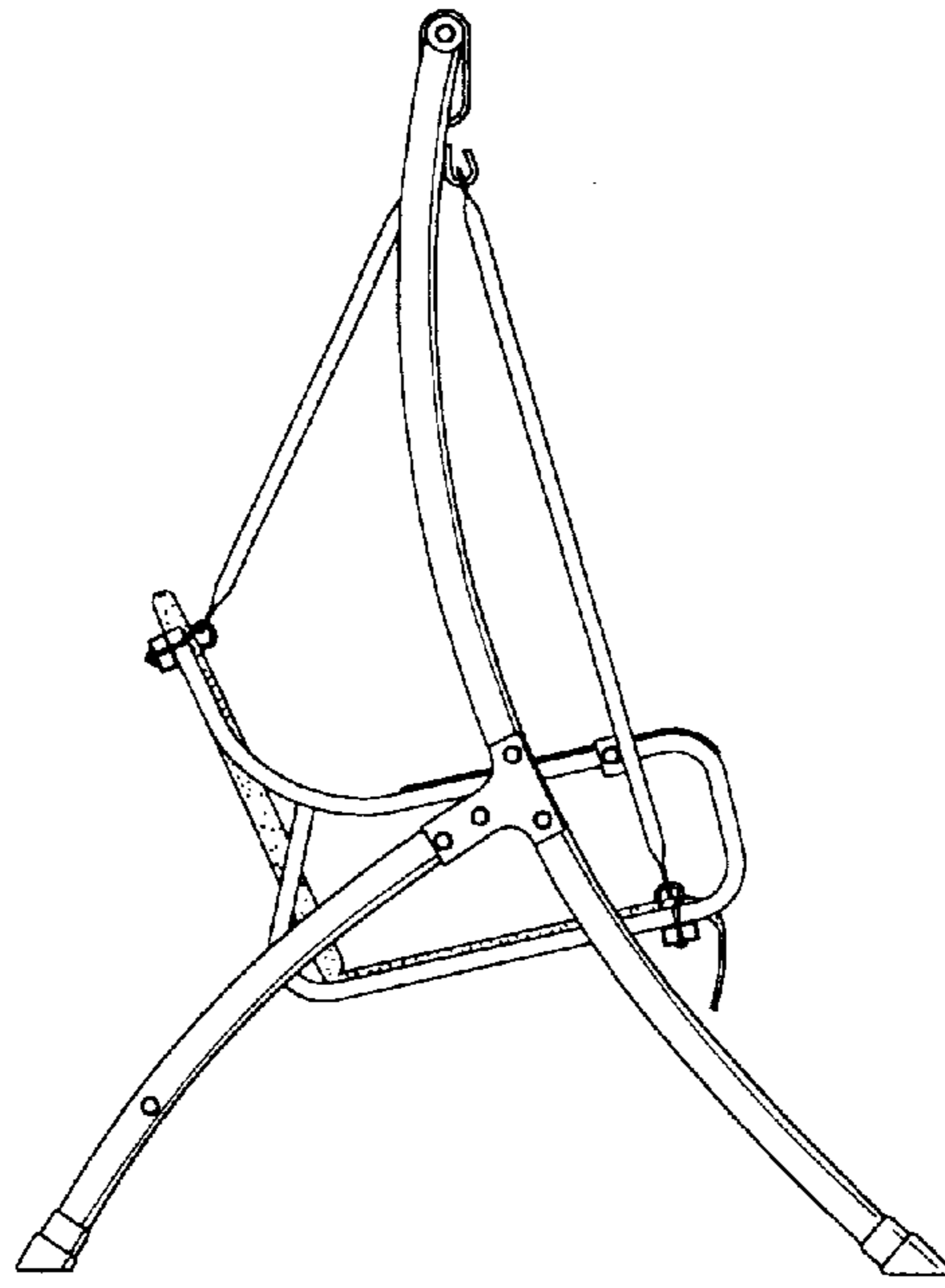


FIG. 4

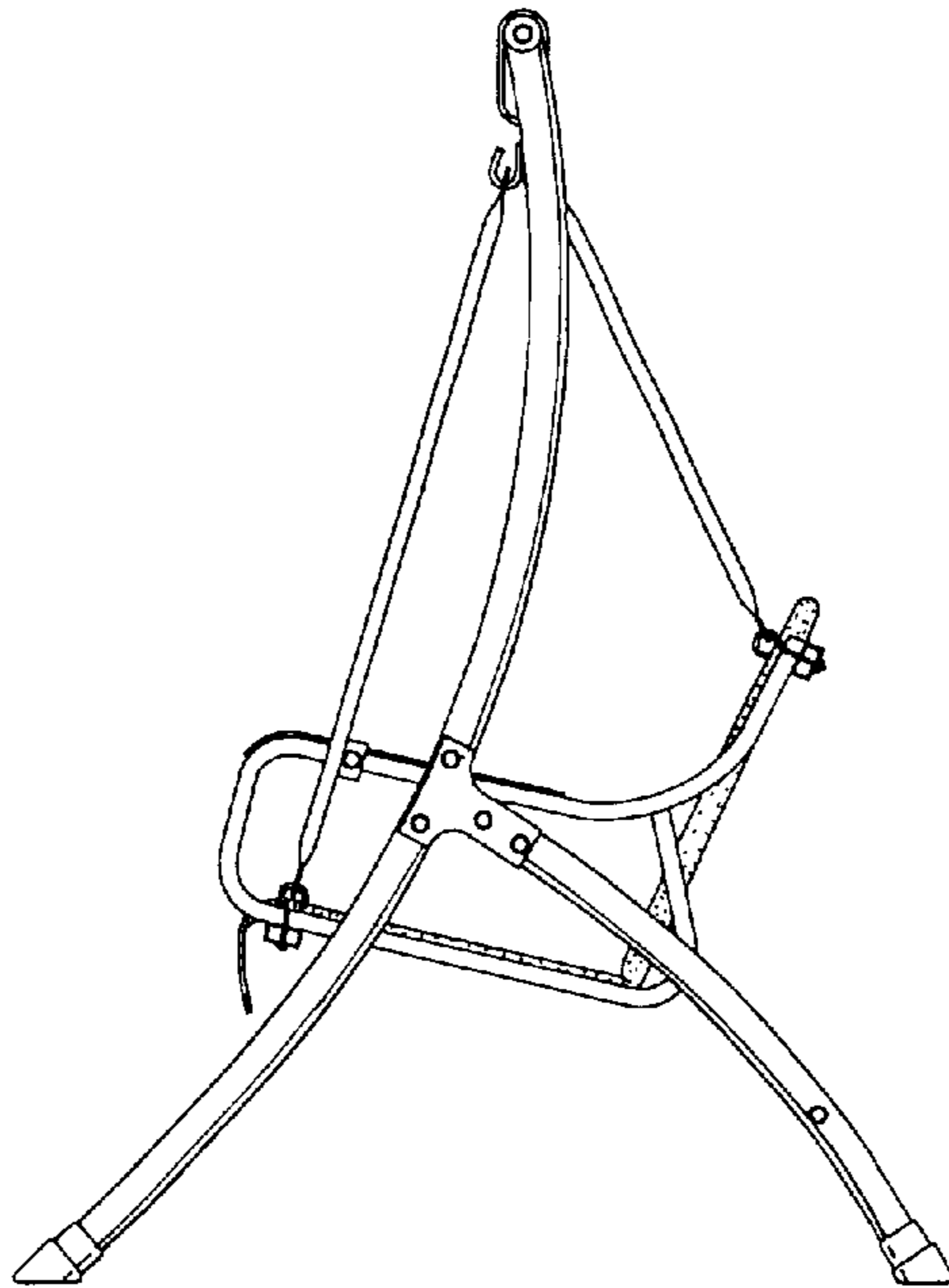


FIG. 5

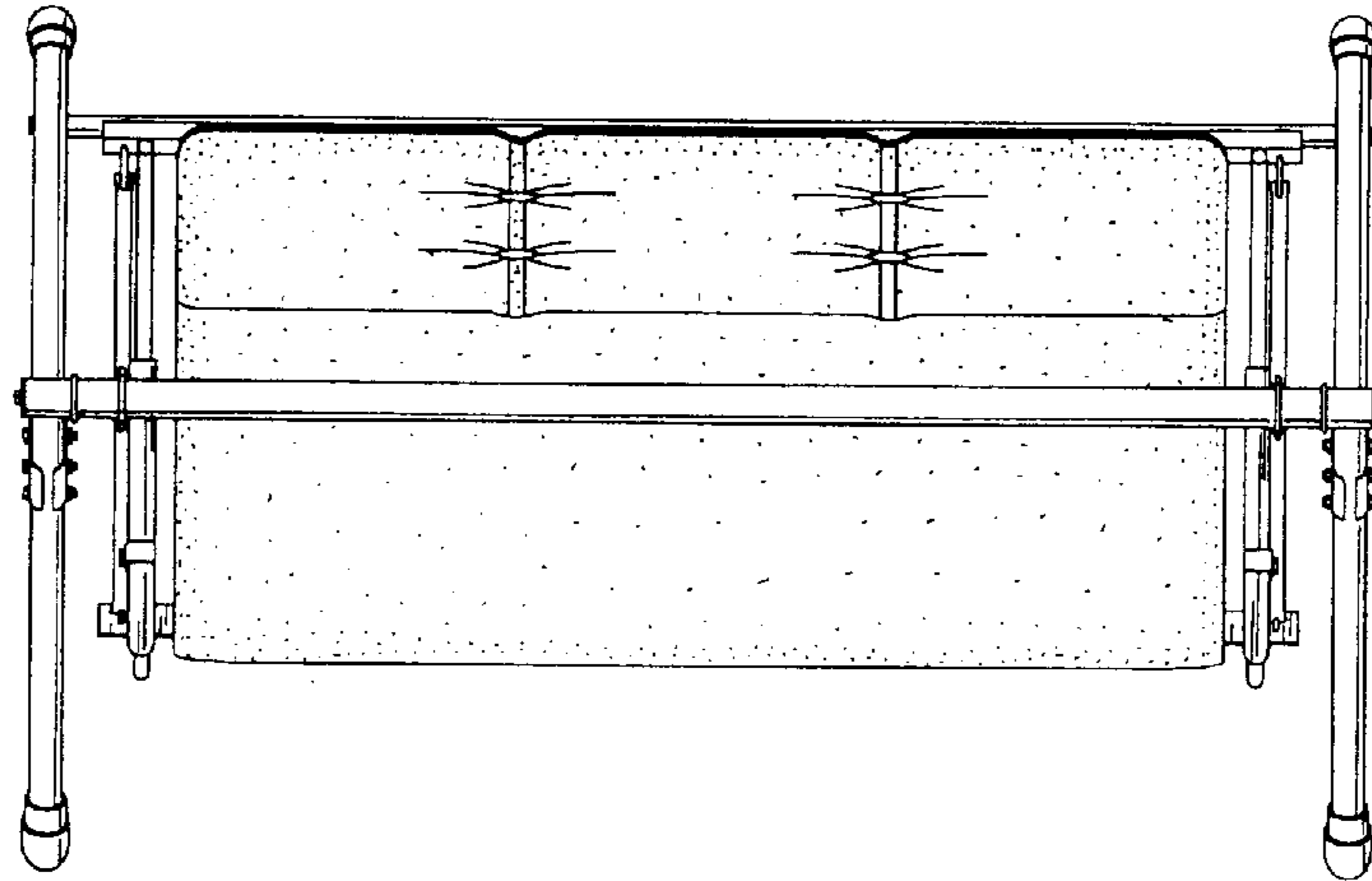


FIG. 6

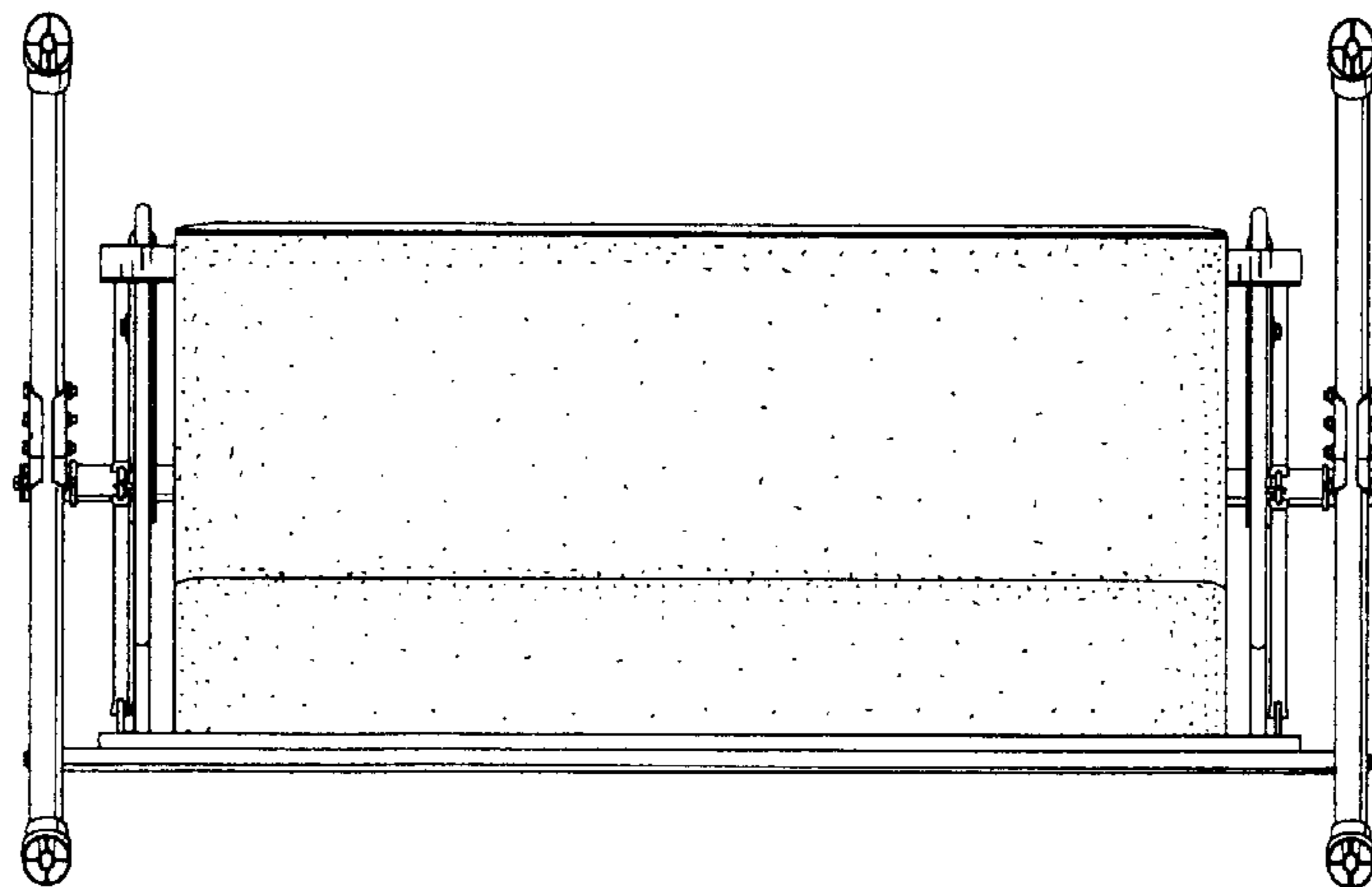


FIG. 7