



US00D459594S

(12) **United States Design Patent**
Fischer et al.

(10) **Patent No.:** **US D459,594 S**

(45) **Date of Patent:** **** Jul. 2, 2002**

(54) **GAME CHAIR**

D380,910 S * 7/1997 Lesourd et al. D6/338
D406,475 S * 3/1999 Shovlowsky D6/366

(75) Inventors: **Gregory John Fischer**, P.O. Box 500,
Oakton, VA (US) 22124-0500; **Michael Paul Bagby**, Herdon, VA (US)

* cited by examiner

Primary Examiner—Doris V. Coles
Assistant Examiner—Mimosa De

(73) Assignee: **Gregory John Fischer**, Oakton, VA (US)

(57) **CLAIM**

(**) Term: **14 Years**

The ornamental design for a game chair, as shown and described.

(21) Appl. No.: **29/113,457**

DESCRIPTION

(22) Filed: **Nov. 5, 1999**

(51) **LOC (7) Cl.** **06-01**

(52) **U.S. Cl.** **D6/336**

(58) **Field of Search** D6/333, 334, 335,
D6/336, 338, 339, 360, 356, 366, 367,
368, 500, 501, 502; 297/153, 188.14, 423.1

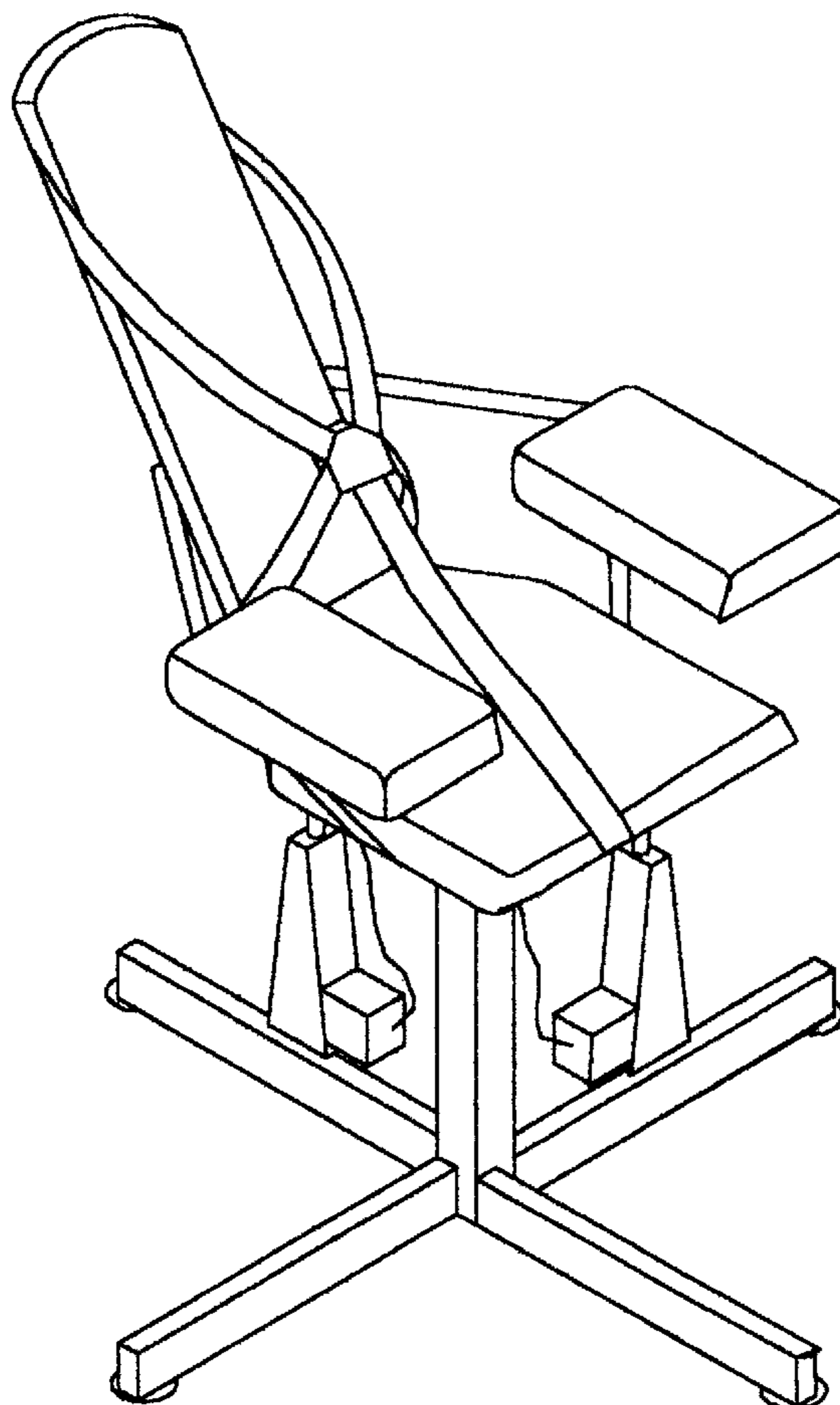
FIG. 1 is a perspective view of a game chair showing the first embodiment of our new design;
FIG. 2 is a right side elevation thereof;
FIG. 3 is a left side elevation thereof;
FIG. 4 is a front elevation thereof;
FIG. 5 is a rear elevation thereof;
FIG. 6 is a top view thereof
FIG. 7 is a bottom view thereof; and,
FIG. 8 is a perspective view of a game chair showing a second embodiment of our new design, the sole difference being the removal of the harness, it being understood that the remaining views are the same as the first embodiment.

(56) **References Cited**

U.S. PATENT DOCUMENTS

- D65,412 S * 8/1924 Koenigkramer D6/360
- D251,277 S * 3/1979 Kelley D6/366
- D283,286 S * 4/1986 Wenger D6/375
- D298,709 S * 11/1988 Rose et al. D6/366

1 Claim, 8 Drawing Sheets



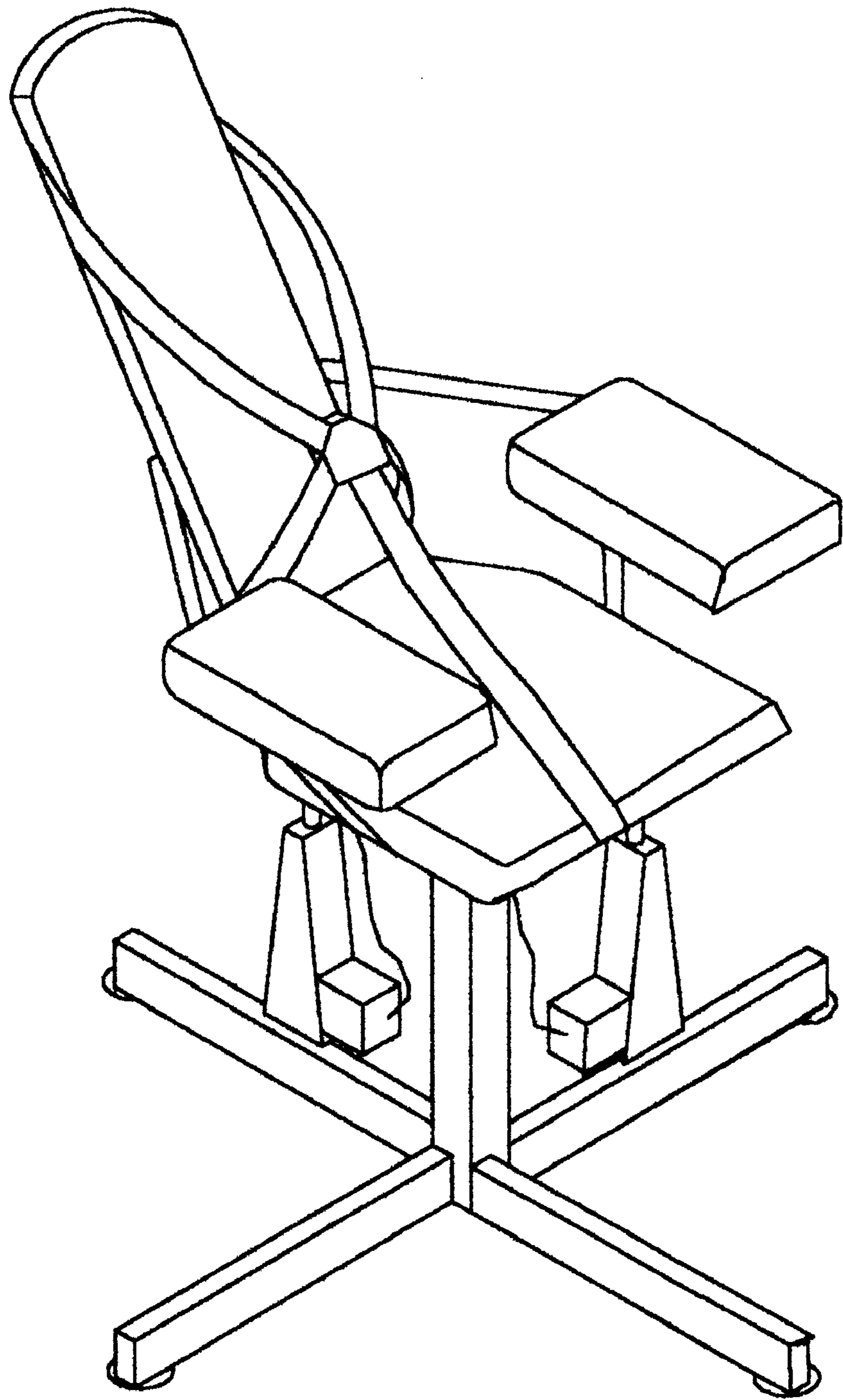


Figure 1

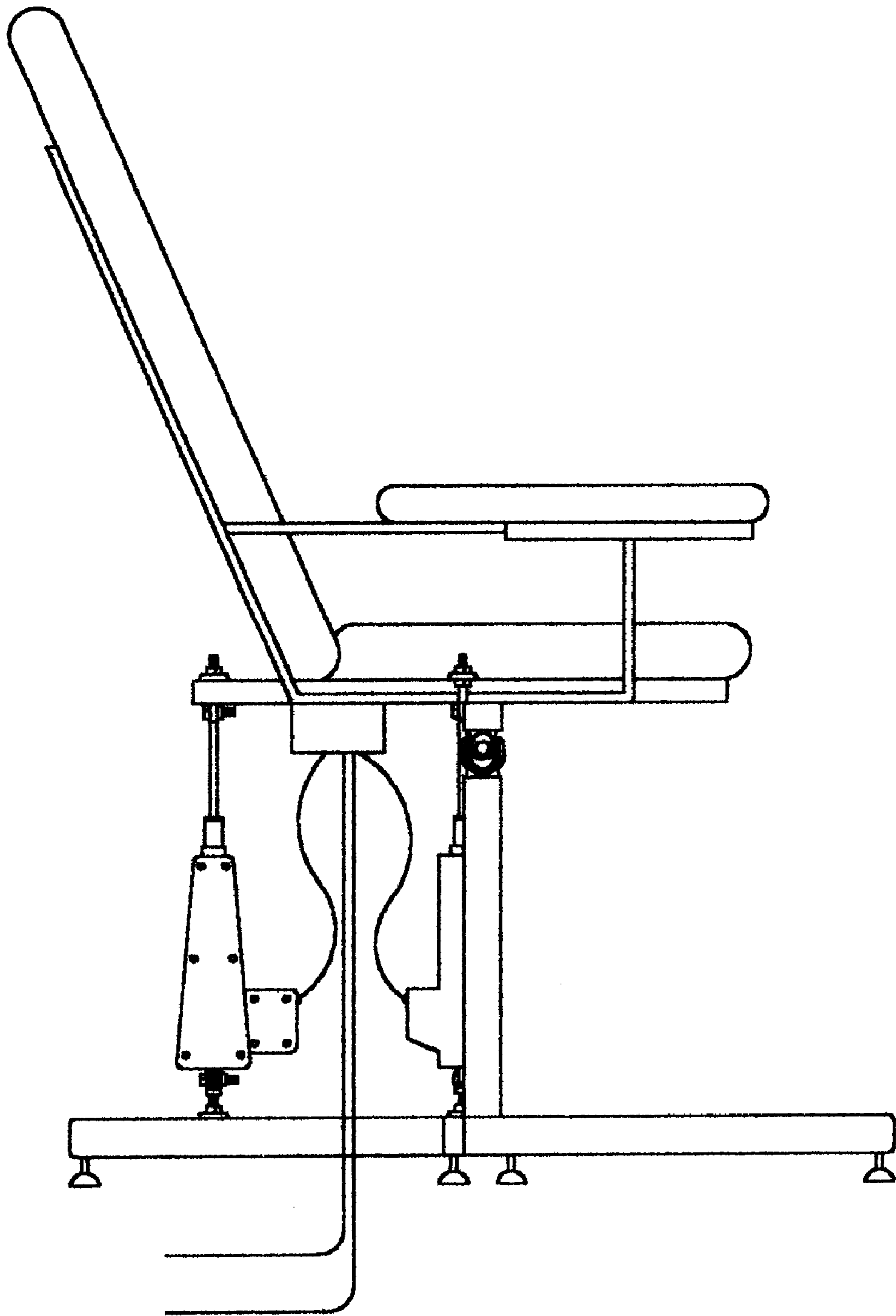


Figure 2

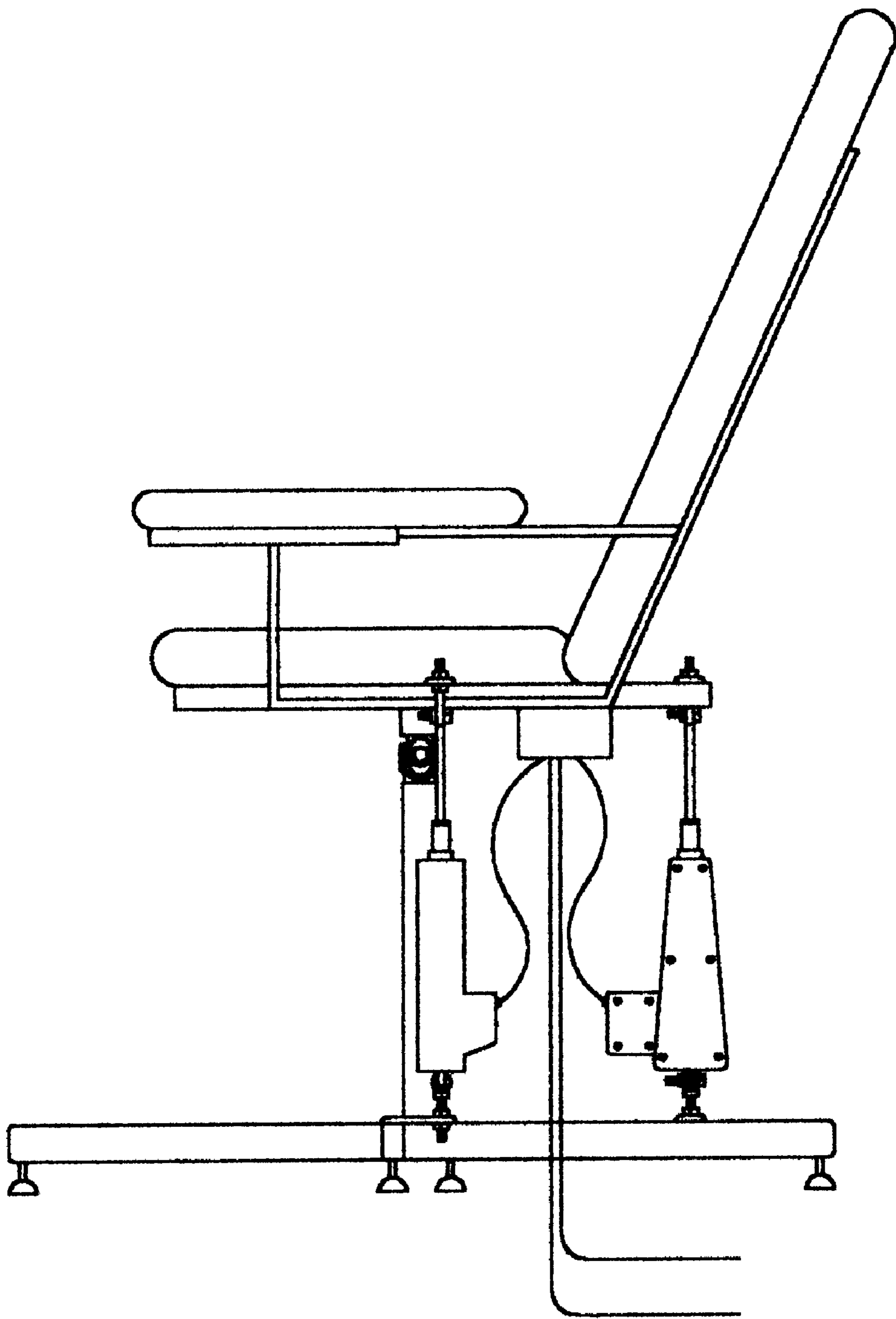


Figure 3

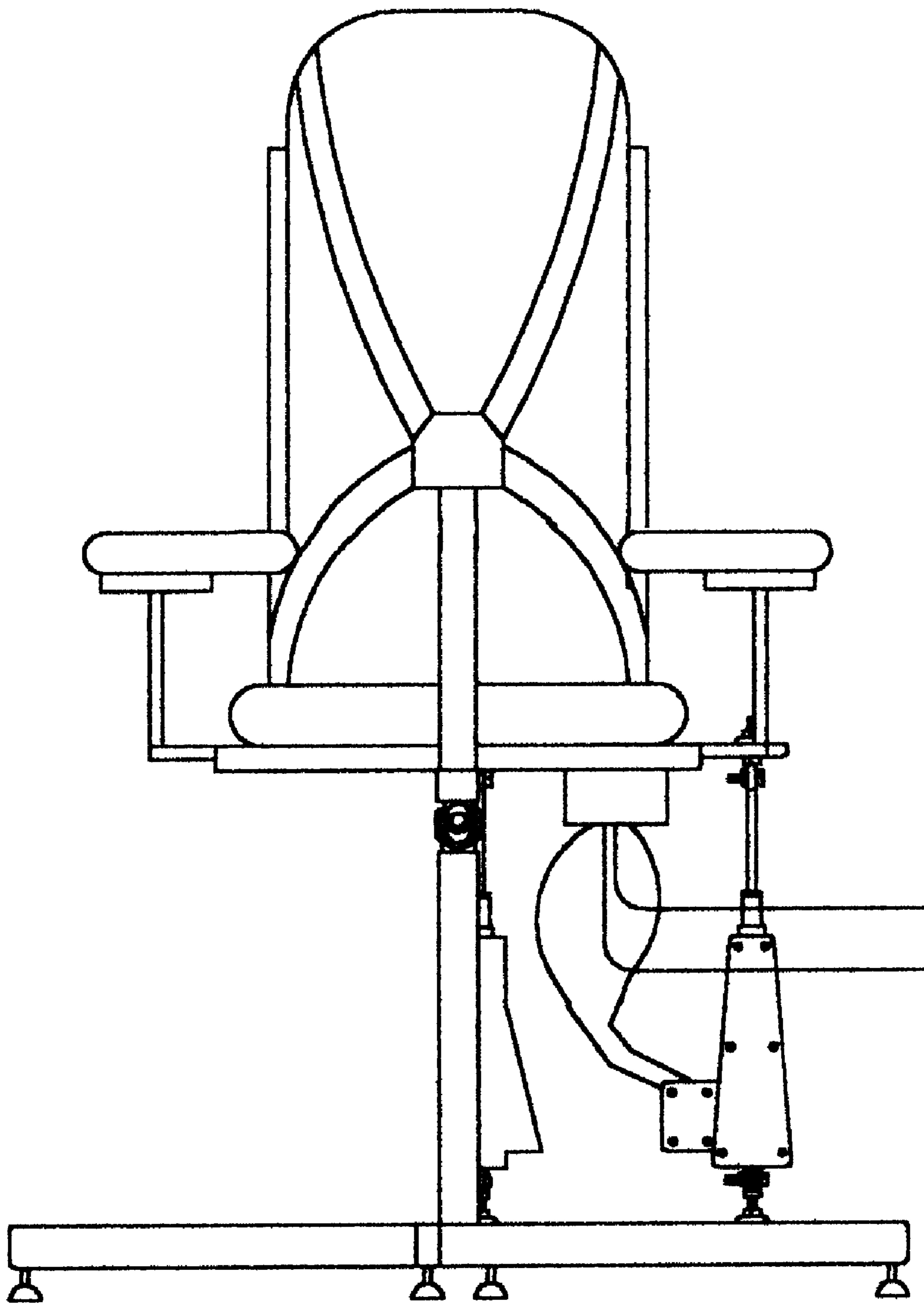


Figure 4

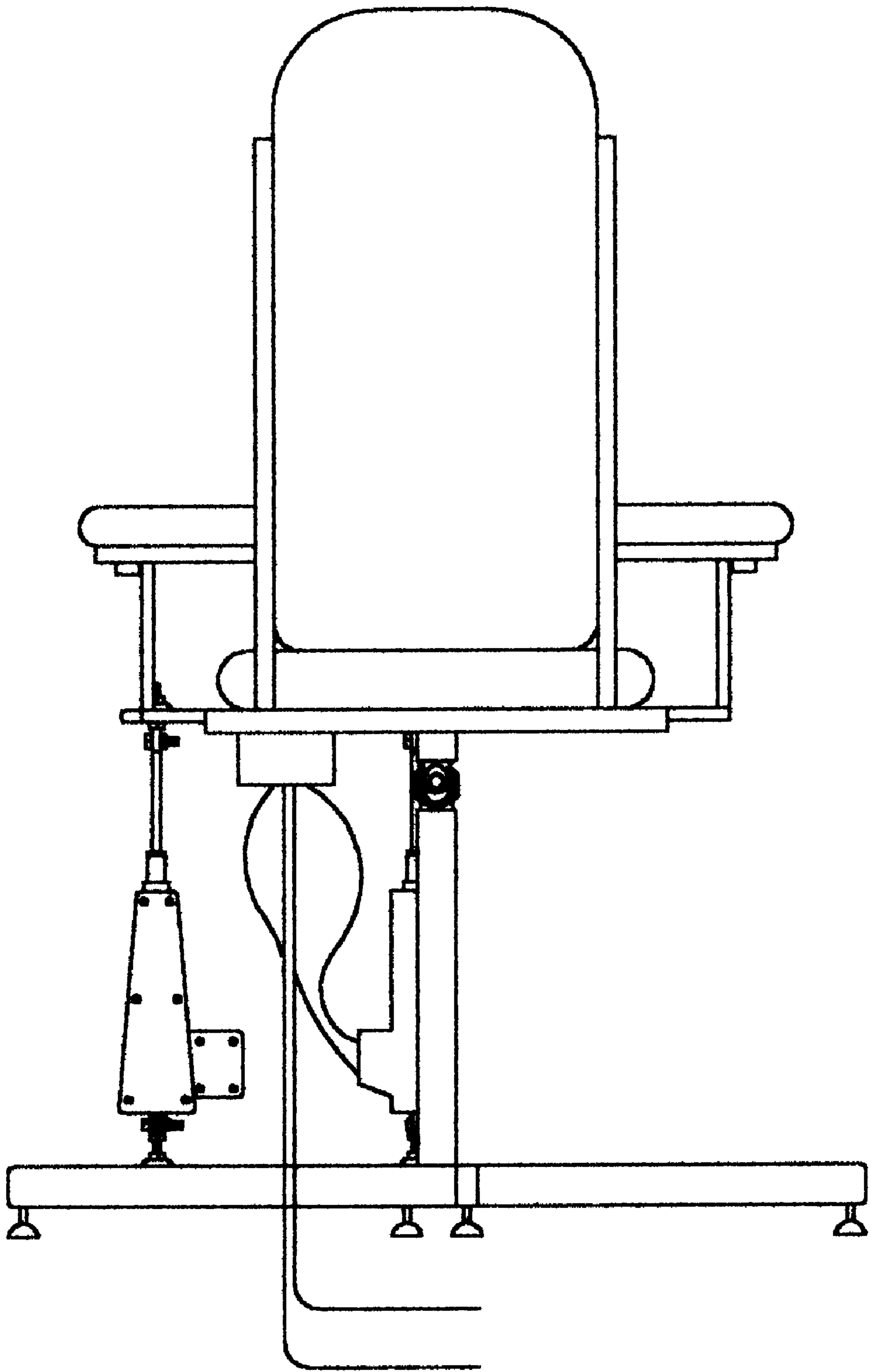


Figure 5

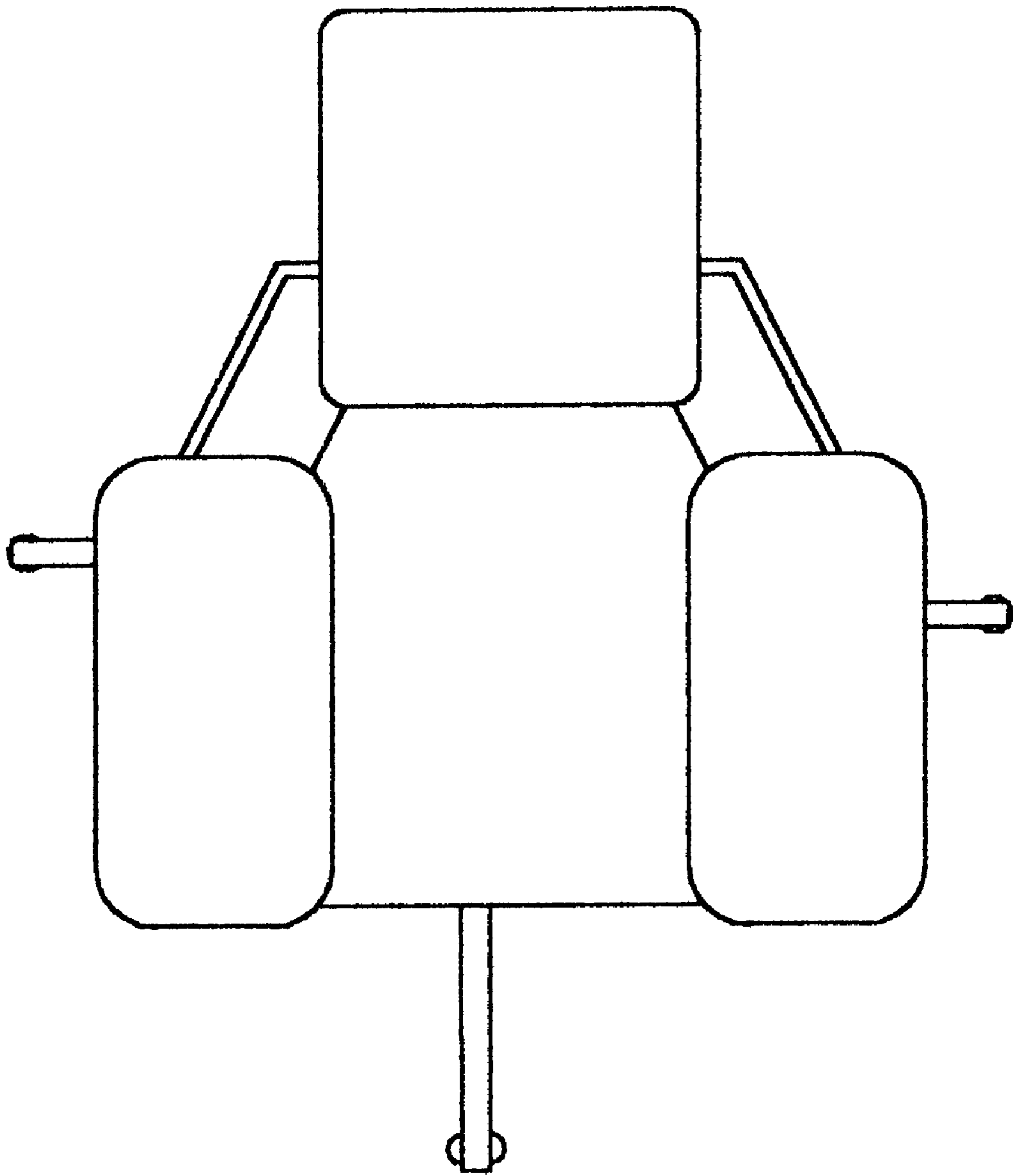


Figure 6

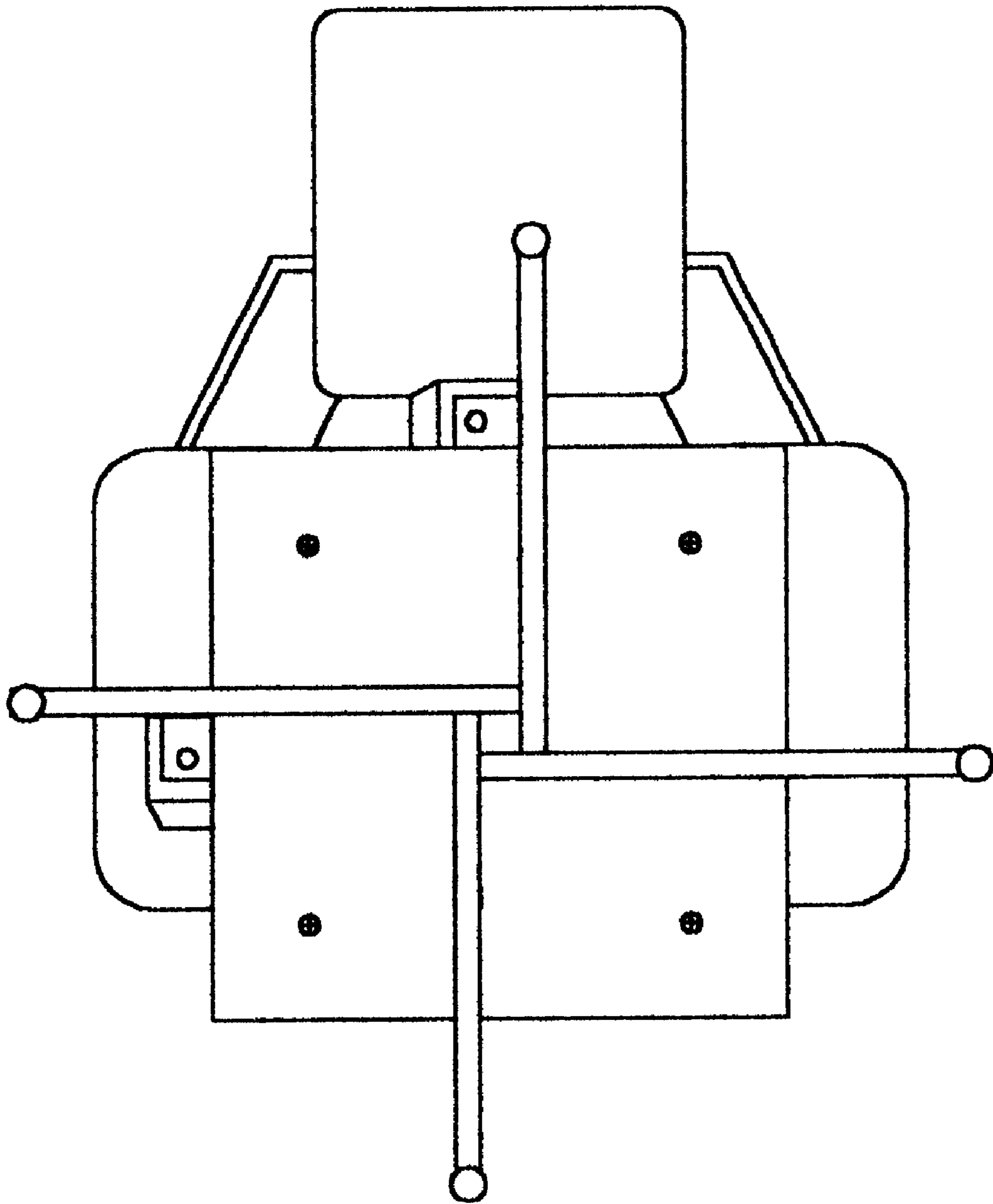


Figure 7

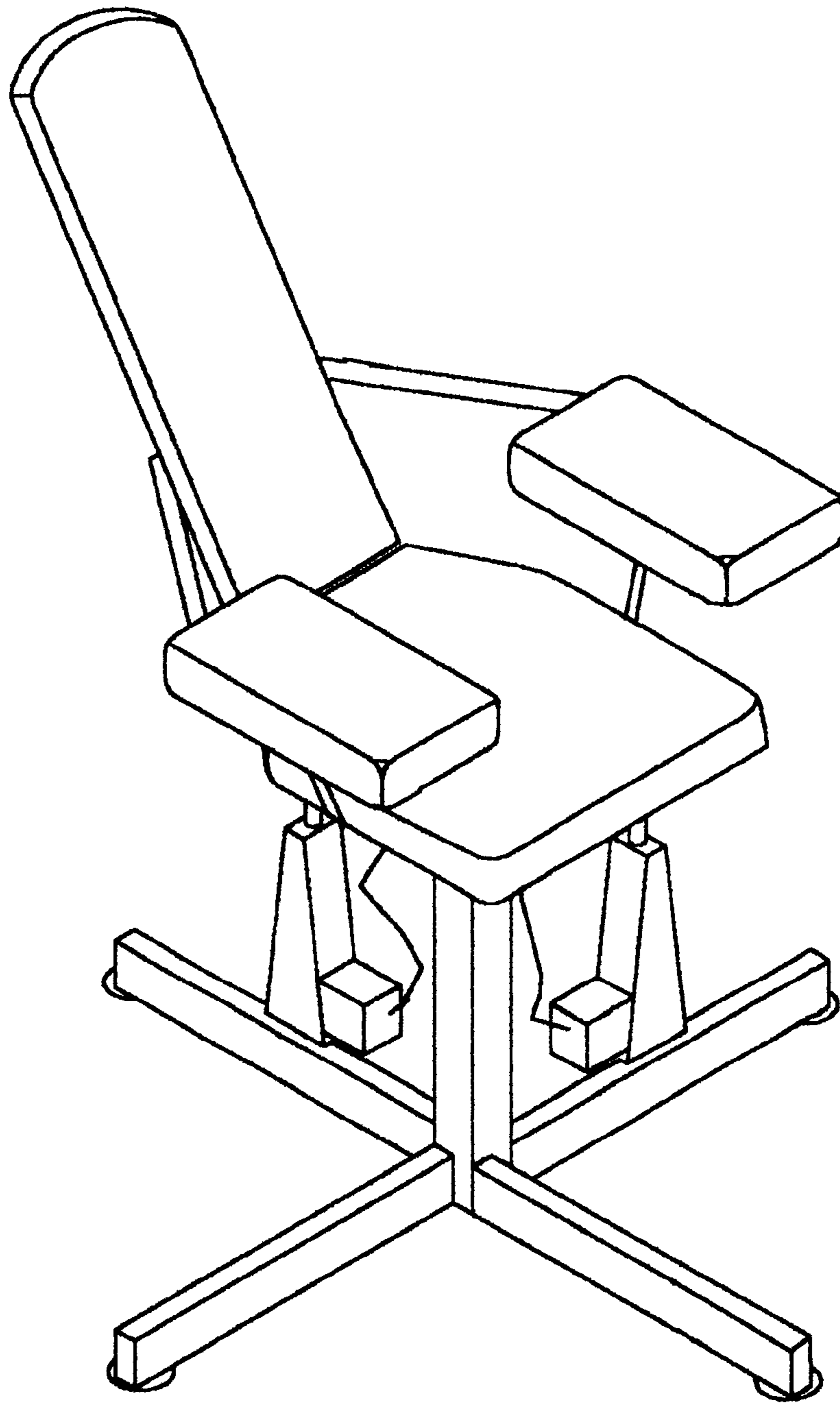


Figure 8