



US00D459590S

(12) **United States Design Patent**
Kao et al.

(10) **Patent No.:** **US D459,590 S**
(45) **Date of Patent:** **** Jul. 2, 2002**

(54) **PAPER PRODUCT**

(75) Inventors: **Junan Kao**, Cincinnati, OH (US); **John Allen Manifold**, Milan, IN (US)

(73) Assignee: **The Procter & Gamble Company**, Cincinnati, OH (US)

(**) Term: **14 Years**

(21) Appl. No.: **29/142,654**

(22) Filed: **May 30, 2001**

D232,772 S	*	9/1974	Thomas	D5/57
D233,746 S	*	11/1974	Bowser	D5/53
4,144,624 A		3/1979	Szego et al.		
4,615,671 A		10/1986	Bernal		
4,636,417 A		1/1987	Rasmussen		
4,992,324 A		2/1991	Dube		
D319,350 S		8/1991	Paschke et al.		
5,194,315 A		3/1993	Itoh		
5,203,761 A		4/1993	Reichental et al.		
5,365,819 A		11/1994	Maida et al.		
D354,853 S		1/1995	Schulz		
D354,855 S		1/1995	Schulz		
D354,856 S		1/1995	Schulz		

(List continued on next page.)

Related U.S. Application Data

(63) Continuation-in-part of application No. 29/141,710, filed on May 11, 2001.

(51) **LOC (7) Cl.** **05-06**

(52) **U.S. Cl.** **D5/60; D5/53; D5/39; D5/20**

(58) **Field of Search** D5/1, 2, 3, 6, D5/7, 8, 11, 13, 14, 15, 16, 19, 20, 23, 24, 25, 26, 27, 28, 30, 32, 35, 36, 37, 39, 43, 45, 47, 49, 50, 52, 53, 54, 55, 56, 57, 58, 59, 60, 61, 62, 63, 65, 66, 99; D2/749, 883, 889, 980, 984, 994; D6/613, 595, 603, 608, 596, 604, 606, 616, 617, 605, 582, 583, 598, 619, 622; D24/124, 125; D25/142, 152; 428/17, 18, 151, 154, 156, 171, 187, 198, 199, 540, 542.2, 542.6, 904.4, 919; 5/413 AM, 709; D7/396.4, 396.5; D9/310, 311, 325, 329, 332, 333; 162/134, 231, 140; 156/209, 148

(56) **References Cited**

U.S. PATENT DOCUMENTS

D1,181 S	*	12/1859	Thompson	D5/7
D67,146 S		4/1925	Kagan		
D101,812 S	*	11/1936	Hafner	D5/47
D186,063 S		9/1959	Schaefer		
D216,656 S	*	2/1970	Horwich	D5/7
3,738,905 A		6/1973	Thomas		
D231,023 S		3/1974	Thomas		

OTHER PUBLICATIONS

Nylon face microsuede "Tonto Dove" by Starensier, "Travelware Magazine" vol. 184, #3, p. 27, Apr. 1991.*

Primary Examiner—Doris V. Coles

Assistant Examiner—T. Chase Nelson

(74) *Attorney, Agent, or Firm*—Julia A. Glazer; David M. Weirich; Ken K. Patel

(57) **CLAIM**

The ornamental design for paper product, as shown and described.

DESCRIPTION

FIG. 1 is a perspective view of a paper product showing our new design.

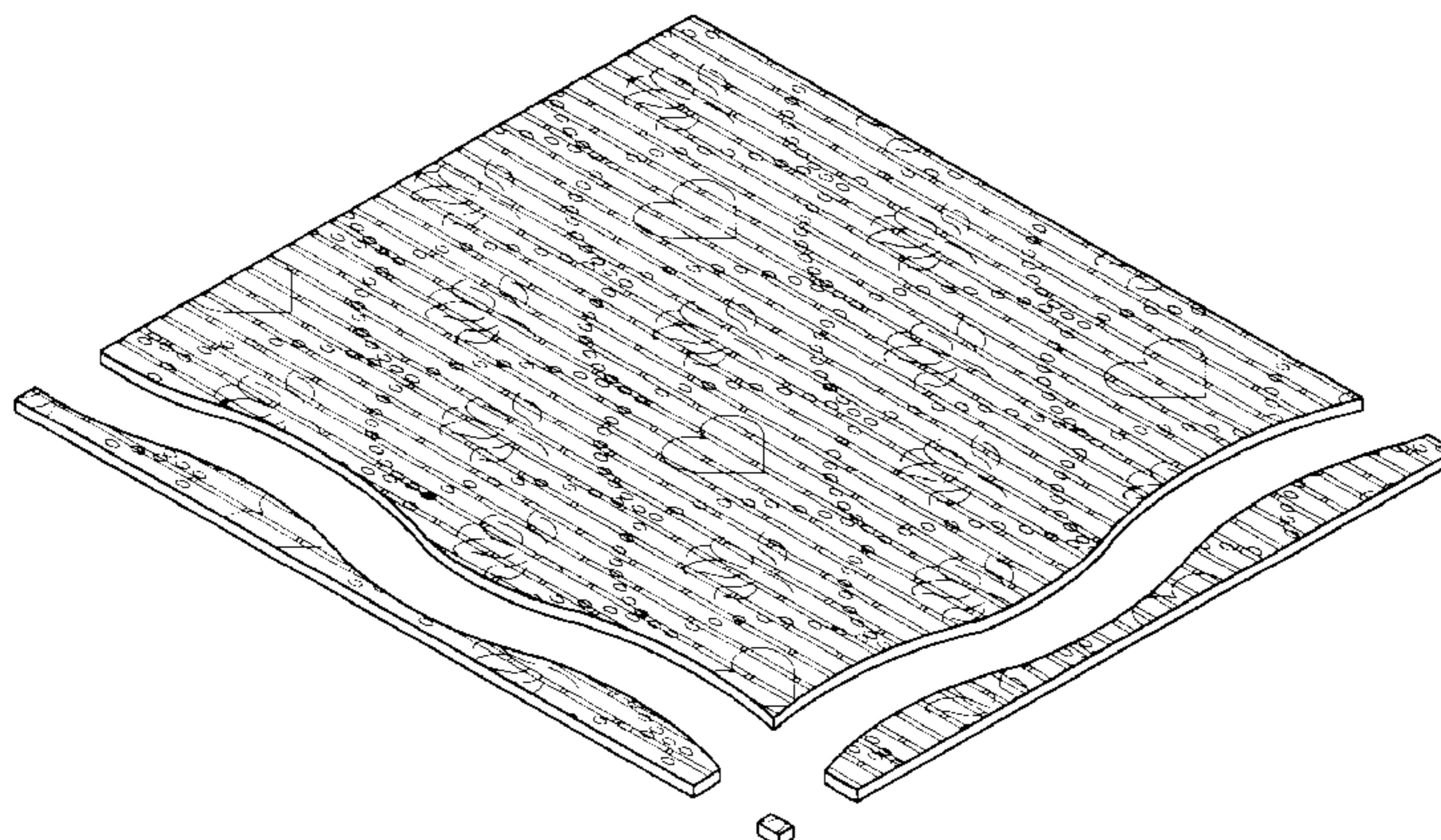
FIG. 2 is a top plan view of the paper product of FIG. 1.

FIG. 3 is a side plan view of the paper product of FIG. 1; and,

FIG. 4 is a front plan view of the paper product of FIG. 1.

The paper product is shown broken away to indicate that the paper product has indeterminate length and width. The claimed design repeats uniformly throughout the length and width of the paper product.

1 Claim, 2 Drawing Sheets



US D459,590 S

Page 2

U.S. PATENT DOCUMENTS

D361,895 S	9/1995	Arnone et al.	D410,337 S	6/1999	Dwiggins et al.
D377,419 S	1/1997	Schulz	D411,369 S	6/1999	Burr et al.
5,620,776 A	4/1997	Schulz	5,910,079 A	6/1999	Watanabe
5,652,035 A	7/1997	Tseng	D418,305 S *	1/2000	Zander et al. D5/27
5,667,871 A	9/1997	Goodrich et al.	D418,983 S	1/2000	Pratt et al.
5,688,578 A	11/1997	Goodrich	D419,781 S	2/2000	Pratt et al.
D393,370 S *	4/1998	Schulz et al. D5/24	D422,415 S	4/2000	Pratt
5,782,735 A	7/1998	Goodrich et al.	D424,811 S	5/2000	Pratt et al.
D398,781 S *	9/1998	Burrier et al. D5/53	6,101,661 A	8/2000	Policicchio et al.
D402,475 S	12/1998	Mattheussen et al.	D433,238 S	11/2000	Pratt
D407,902 S	4/1999	Schulz et al.	6,277,466 B1 *	8/2001	McNeil et al. 428/156
D409,389 S	5/1999	May et al.			

* cited by examiner

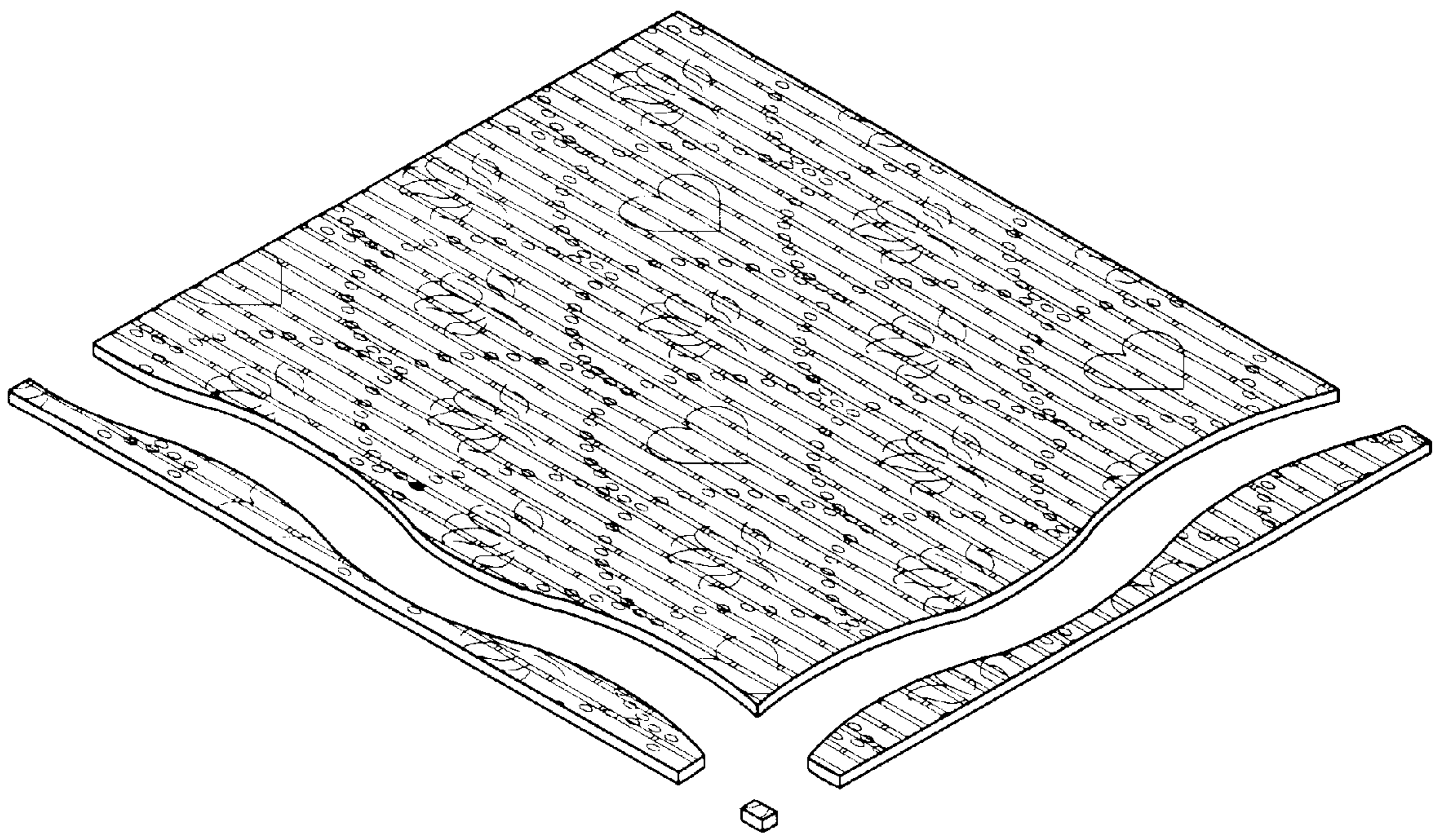


Fig. 1



Fig. 3

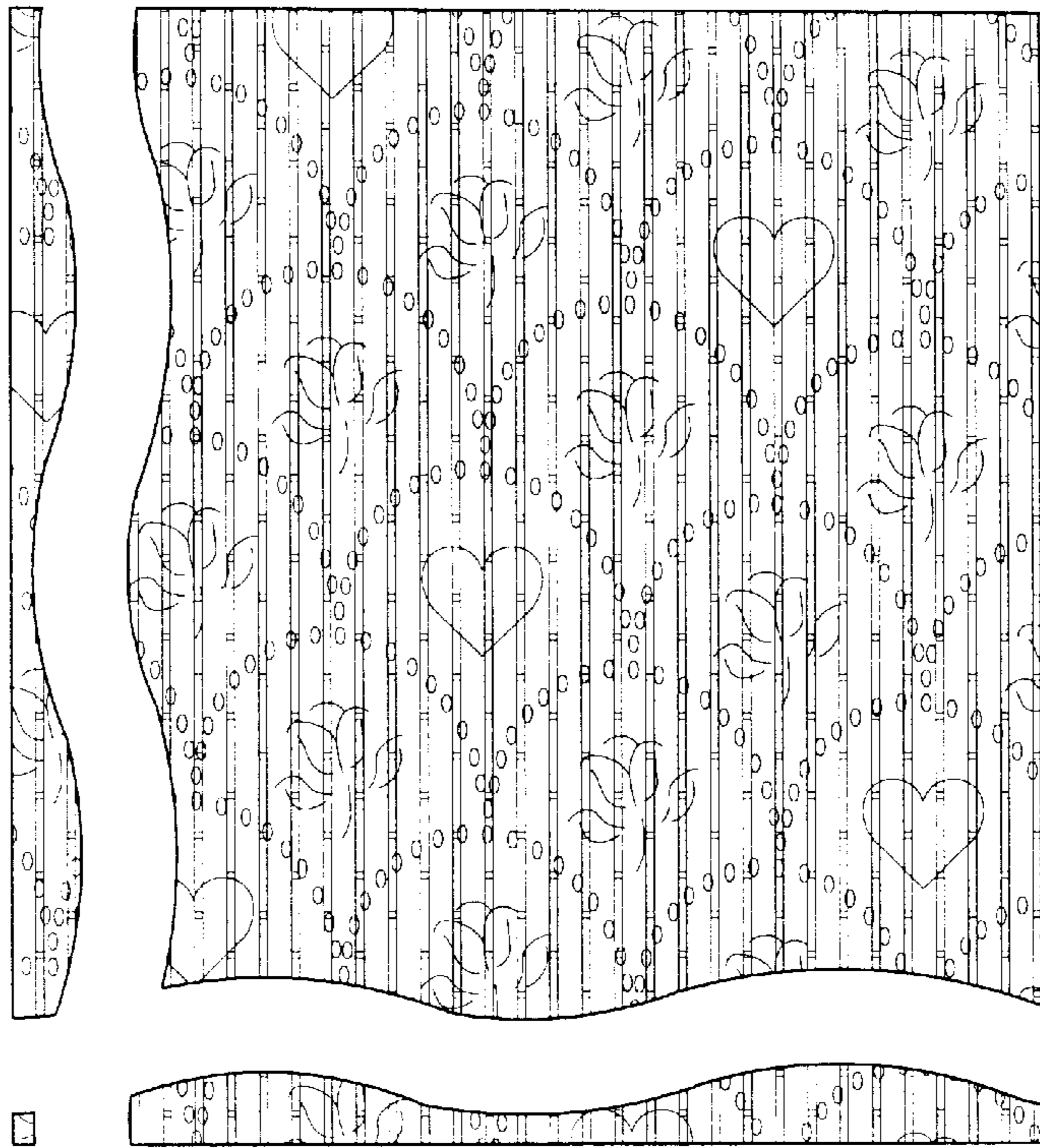


Fig. 2

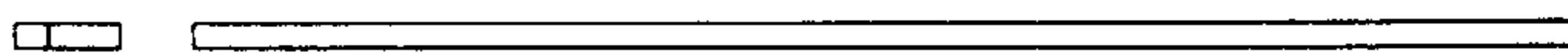


Fig. 4