



US00D459589S

(12) **United States Design Patent**  
**Farrage et al.**

(10) **Patent No.:** **US D459,589 S**

(45) **Date of Patent:** **\*\* Jul. 2, 2002**

(54) **HANDLE FOR A BRUSH**

(75) Inventors: **David Peter Farrage**, Cliffside Park, NJ (US); **Edwin Chan**, Brooklyn, NY (US)

(73) Assignee: **MiracleCorp of Australia, Inc.**, Centerville, OH (US)

(\*\*) Term: **14 Years**

(21) Appl. No.: **29/147,835**

(22) Filed: **Sep. 6, 2001**

(51) **LOC (7) Cl.** ..... **04-01**

(52) **U.S. Cl.** ..... **D4/138**

(58) **Field of Search** ..... D4/130, 132, 135, D4/138; 15/143.1, 159.1, 160, 186, 187

(56) **References Cited**

**U.S. PATENT DOCUMENTS**

D26,154 S	*	10/1896	Hawkins	.....	D4/130
1,847,668 A	*	3/1932	Reh	.....	15/159.1
D132,813 S	*	6/1942	Schwartz	.....	D4/130
D283,851 S	*	5/1986	Walko	.....	D4/130

**OTHER PUBLICATIONS**

Website of Total Living Company advertising *OXO Good Grips Small Wash Brush* (Jan. 2, 2002).  
Sparta Brushes for Food Service, Catalog No. 300, Feb. 1978, Truck and Wall Brush—Item No. 778, p. 12.\*

L.A. Brush, Catalog 200, Sep.1980, Scrub Brushes—Items Nos. 2, 4, and 361, p. 50.\*

The Total Living Company, OXO Bar Brush, [Online] [Retrieved Mar. 19, 2002], Retrieved from the Internet: <URL: <http://www.totalliving.com/oxo49.html>>.\*

\* cited by examiner

*Primary Examiner*—Alan P. Douglas

*Assistant Examiner*—Lavone Tabor

(74) *Attorney, Agent, or Firm*—Thompson Hine LLP

(57) **CLAIM**

The ornamental design for a handle for a brush, as shown and described.

**DESCRIPTION**

FIG. 1 is a top perspective view of a handle for a brush showing our new design, with the broken line structure being for illustrative purposes only and forming no part of the claimed design;

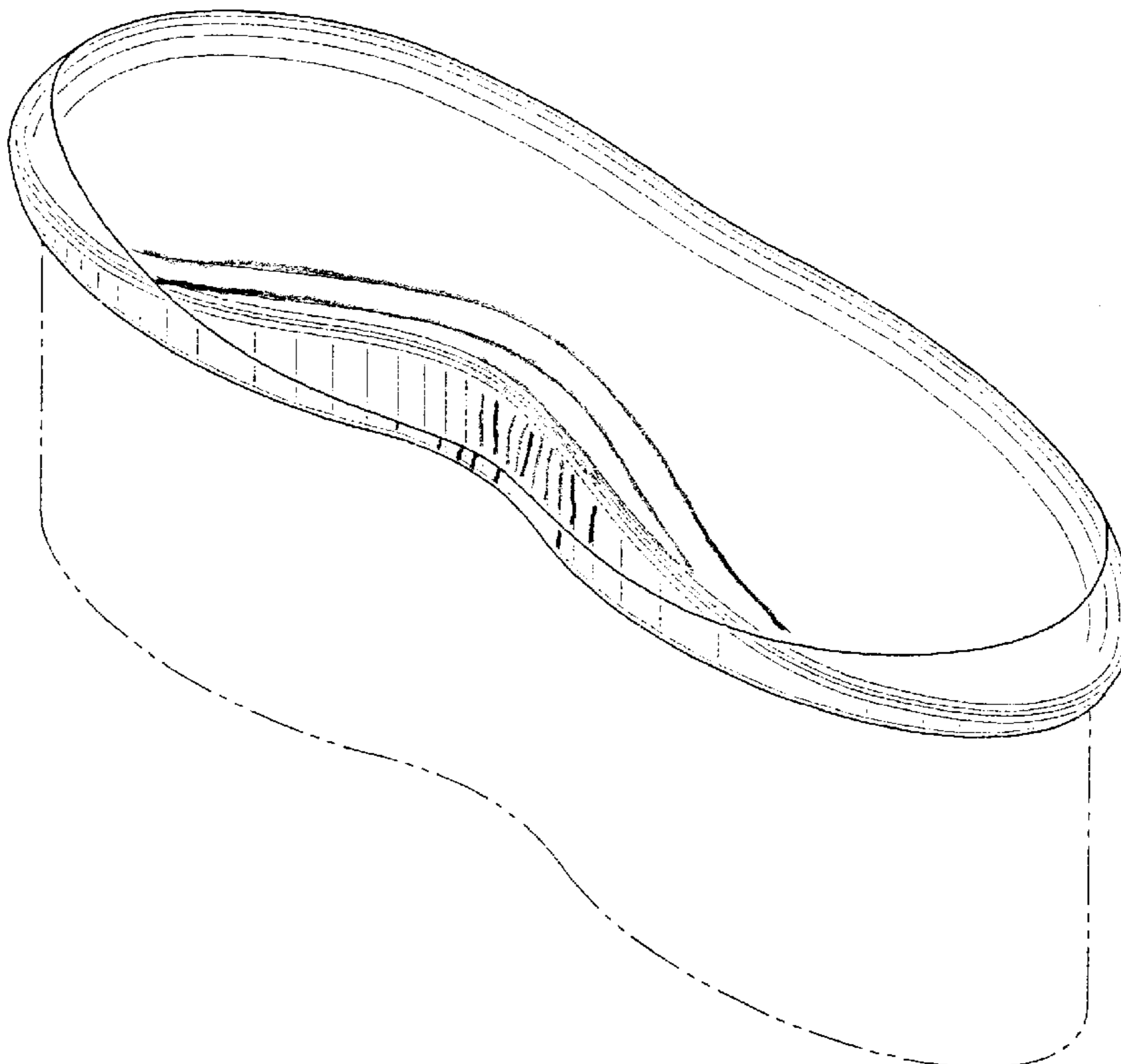
FIG. 2 is a top plan view thereof;

FIG. 3 is a front elevational view thereof;

FIG. 4 is a side elevational view thereof; and,

FIG. 5 is a bottom plan view thereof.

**1 Claim, 3 Drawing Sheets**



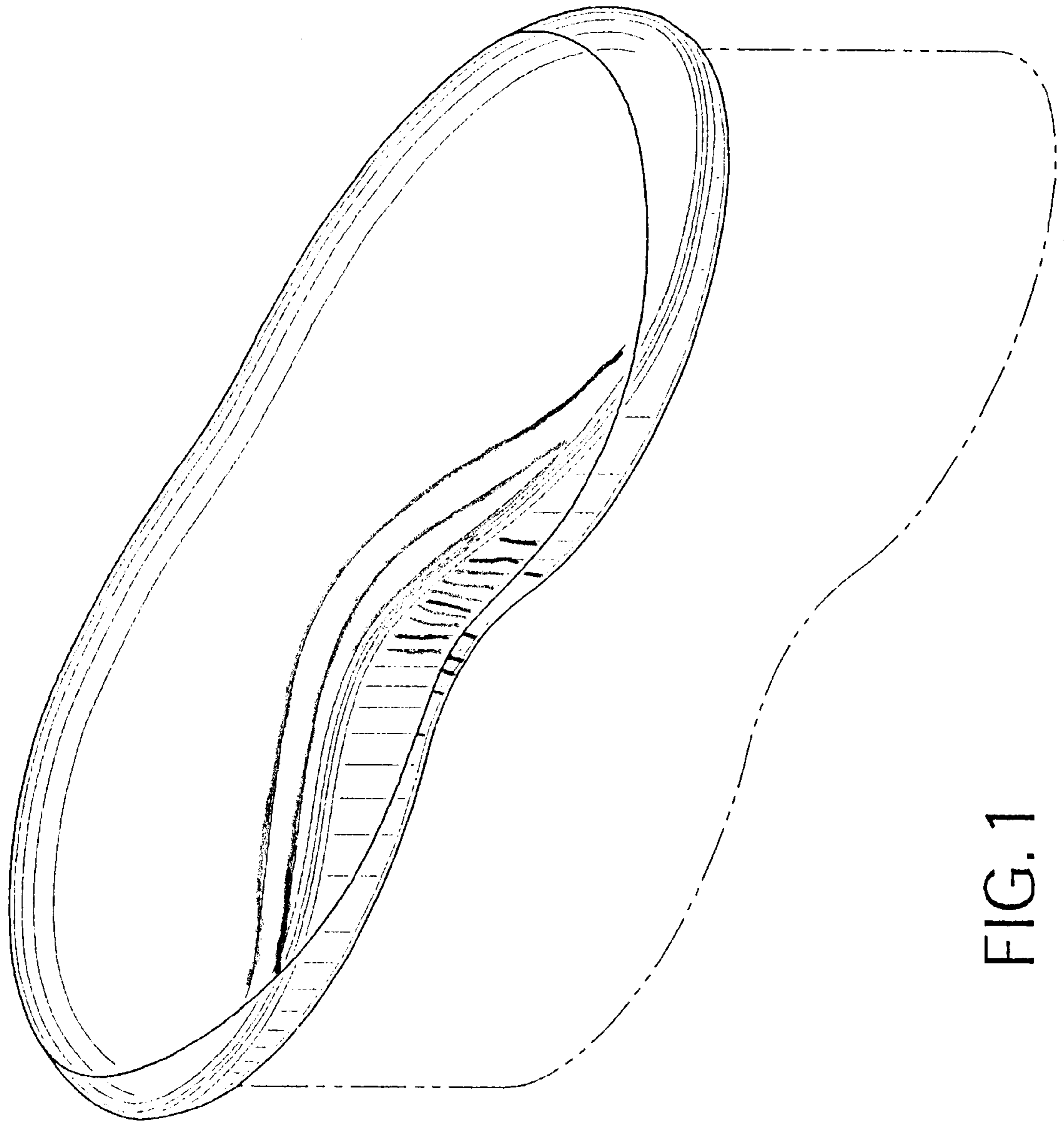


FIG. 1

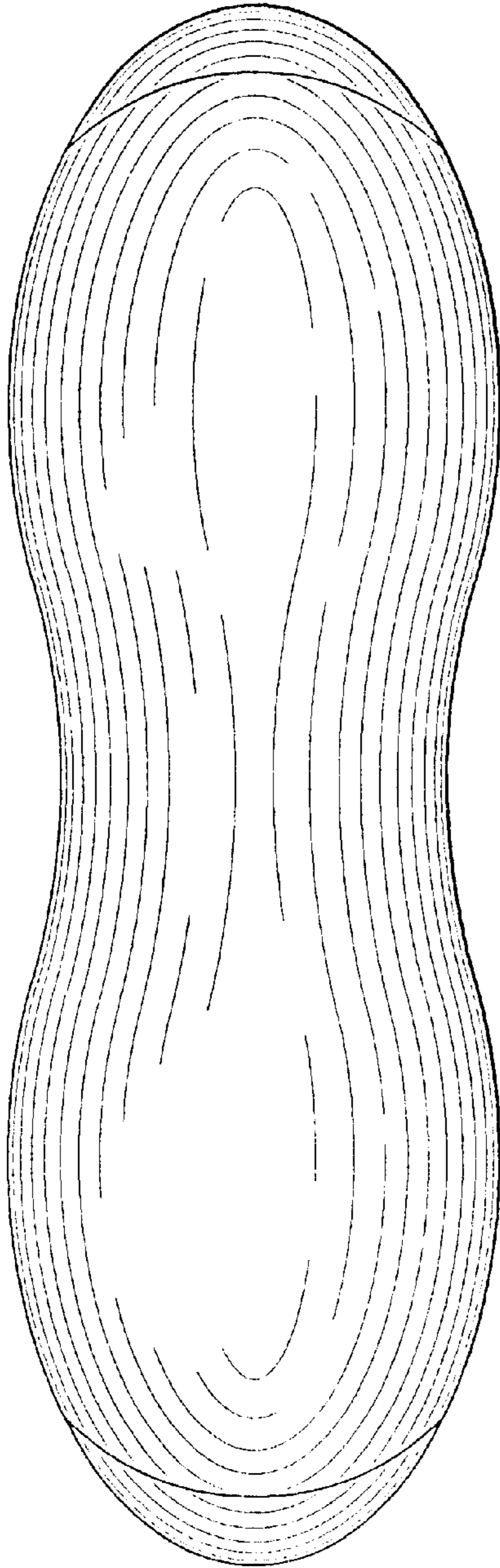


FIG. 2

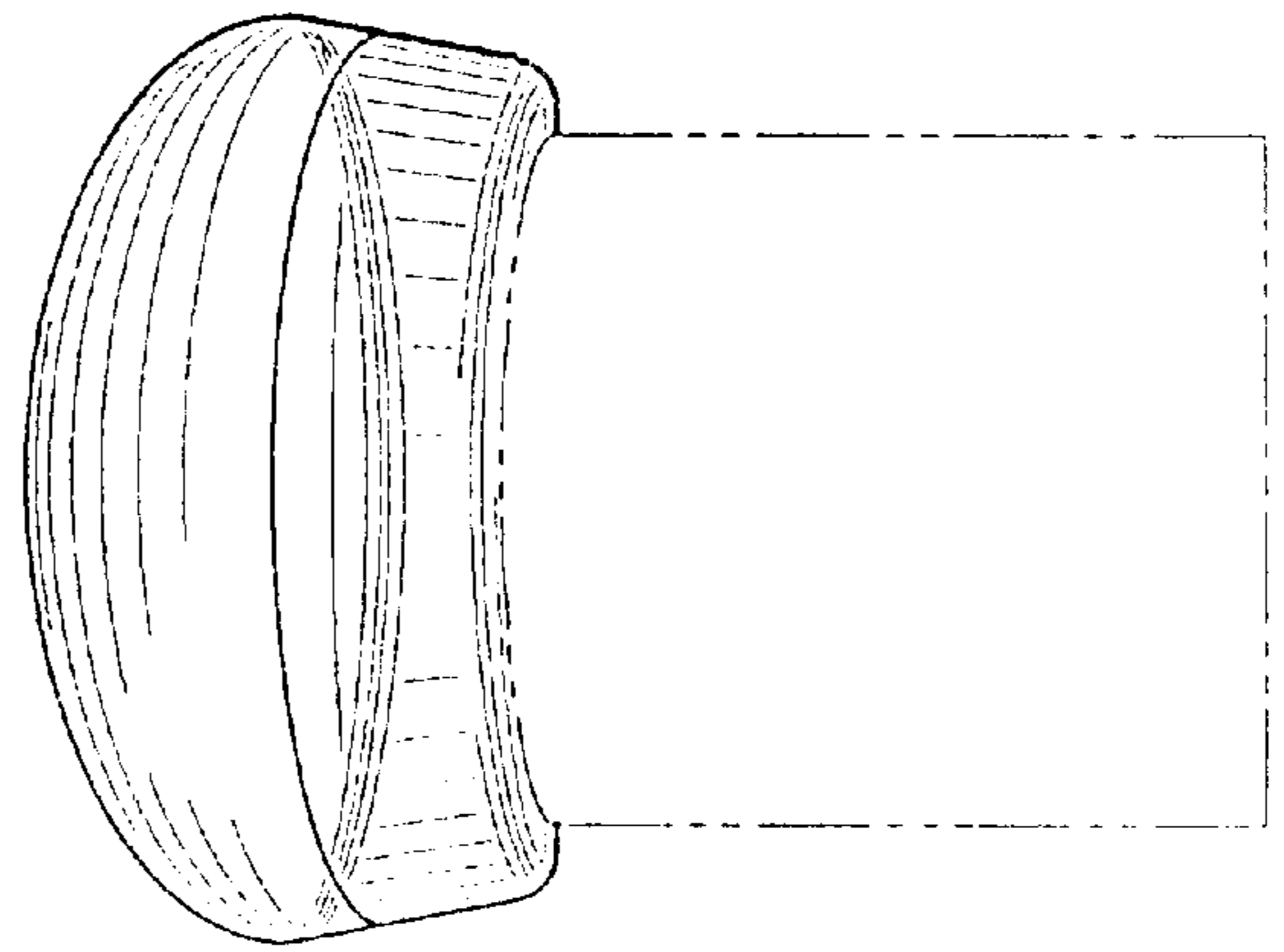


FIG. 3

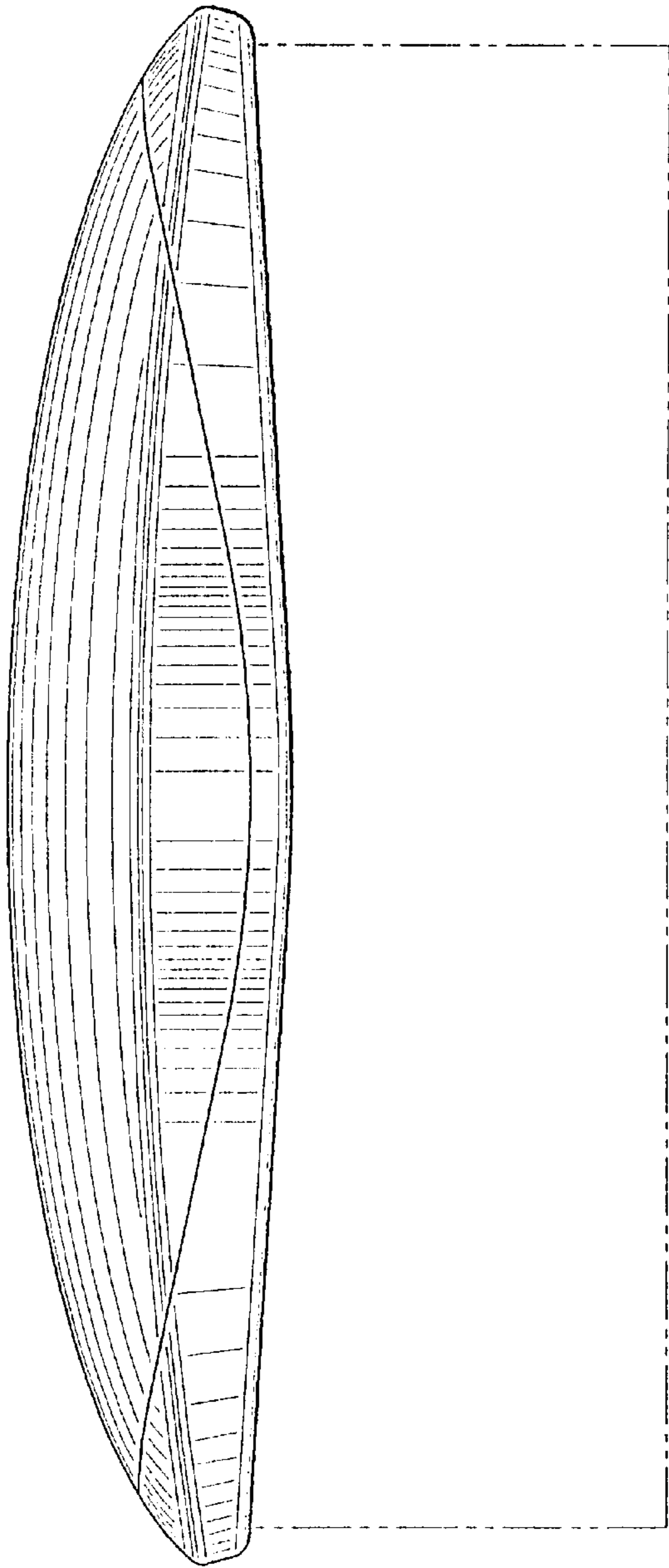


FIG. 4

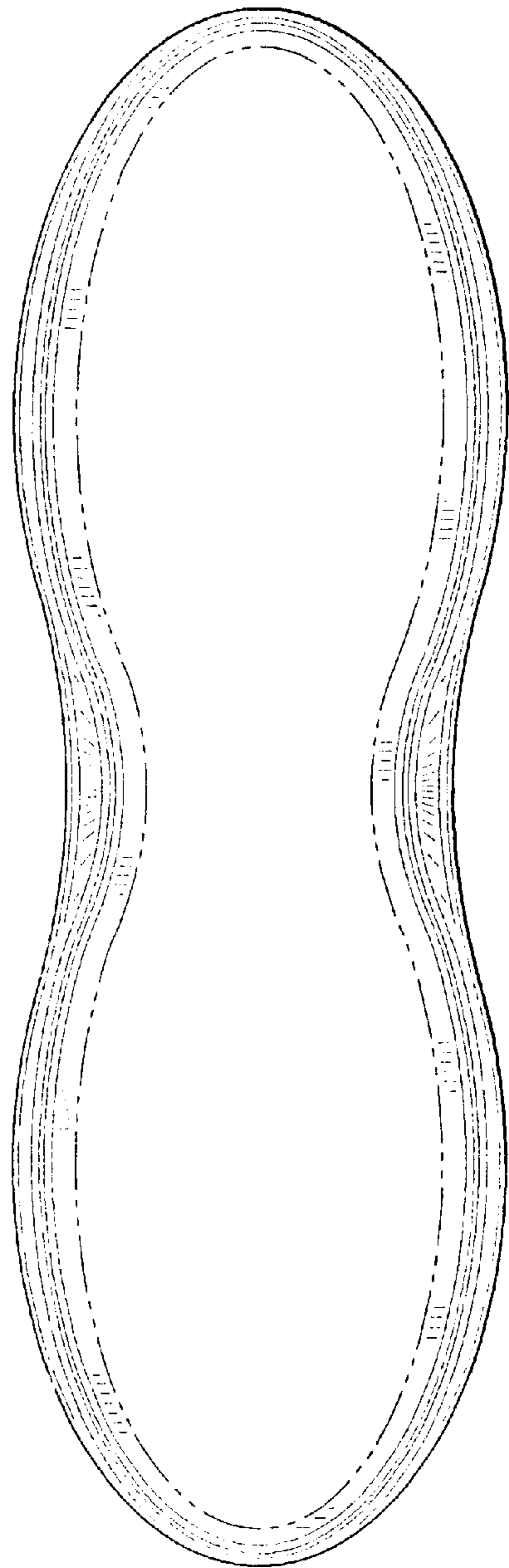


FIG. 5