



US00D459587S

(12) **United States Design Patent**  
Newman et al.

(10) **Patent No.:** **US D459,587 S**

(45) **Date of Patent:** **\*\* Jul. 2, 2002**

(54) **PAINT ROLLER FRAME WITH SHIFTABLE ARM**

6,036,392 A \* 3/2000 Er ..... 401/197  
6,141,821 A \* 11/2000 Chin ..... 15/230.11  
D447,874 S \* 9/2001 Newman et al. .... D4/122

(75) Inventors: **Robert D. Newman**, 400 Walnut St.,  
P.O. Box 377, Greenwood, MO (US)  
64034; **Buford J. Guittar**, Greenwood,  
MO (US)

**FOREIGN PATENT DOCUMENTS**

WO WO 94/00245 \* 1/1994 ..... B05C/17/02

\* cited by examiner

(73) Assignees: **Robert D. Newman; Specialty  
Products of Greenwood, Missouri,  
Inc.**, both of Greenwood, MO (US)

*Primary Examiner*—M. H. Tung

*Assistant Examiner*—Lavone Tabor

(74) *Attorney, Agent, or Firm*—Hovey Williams LLP

(\*\*) Term: **14 Years**

(57) **CLAIM**

(21) Appl. No.: **29/147,631**

The ornamental design for a paint roller frame with shiftable arm, as shown and described.

(22) Filed: **Sep. 4, 2001**

**DESCRIPTION**

**Related U.S. Application Data**

(63) Continuation of application No. 09/876,308, filed on Jun. 7, 2001.

(51) **LOC (7) Cl.** ..... **08-05**

(52) **U.S. Cl.** ..... **D4/122**

(58) **Field of Search** ..... D4/122, 138, 199;  
15/143.1, 144.3, 230.11; 492/13, 16, 17,  
19; 16/110.1, 430; 401/197

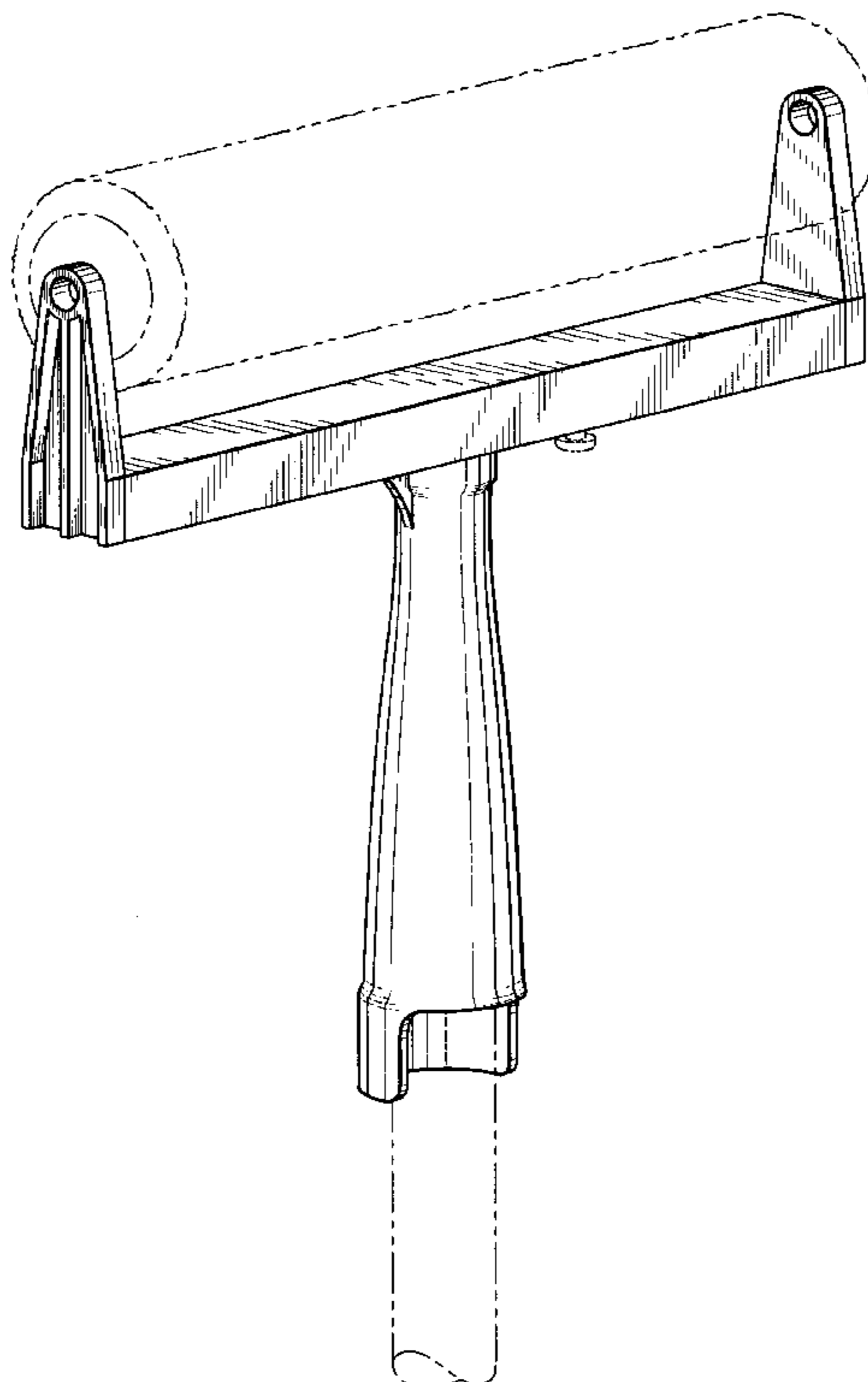
FIG. 1 is a perspective view of the paint roller;  
FIG. 2 is a front elevational view of the paint roller of FIG. 1;  
FIG. 3 is a right side elevational view of the paint roller of FIG. 1;  
FIG. 4 is a rear elevational view of the paint roller of FIG. 1;  
FIG. 5 is a left side elevational view of the paint roller of FIG. 1;  
FIG. 6 is a top plan view of the paint roller of FIG. 1; and,  
FIG. 7 is a bottom plan view of the paint roller of FIG. 1.  
The broken lines shown in FIGS. 1–5 and 7 are for illustrative purposes only and form no part of the claimed design. FIGS. 2–6 are shown on an enlarged scale.

(56) **References Cited**

**U.S. PATENT DOCUMENTS**

3,937,583 A \* 2/1976 Tyson et al. .... 401/197  
D320,888 S \* 10/1991 Parizek ..... D4/122  
5,921,905 A \* 7/1999 Newman, Jr. et al. .... 492/13

**1 Claim, 3 Drawing Sheets**



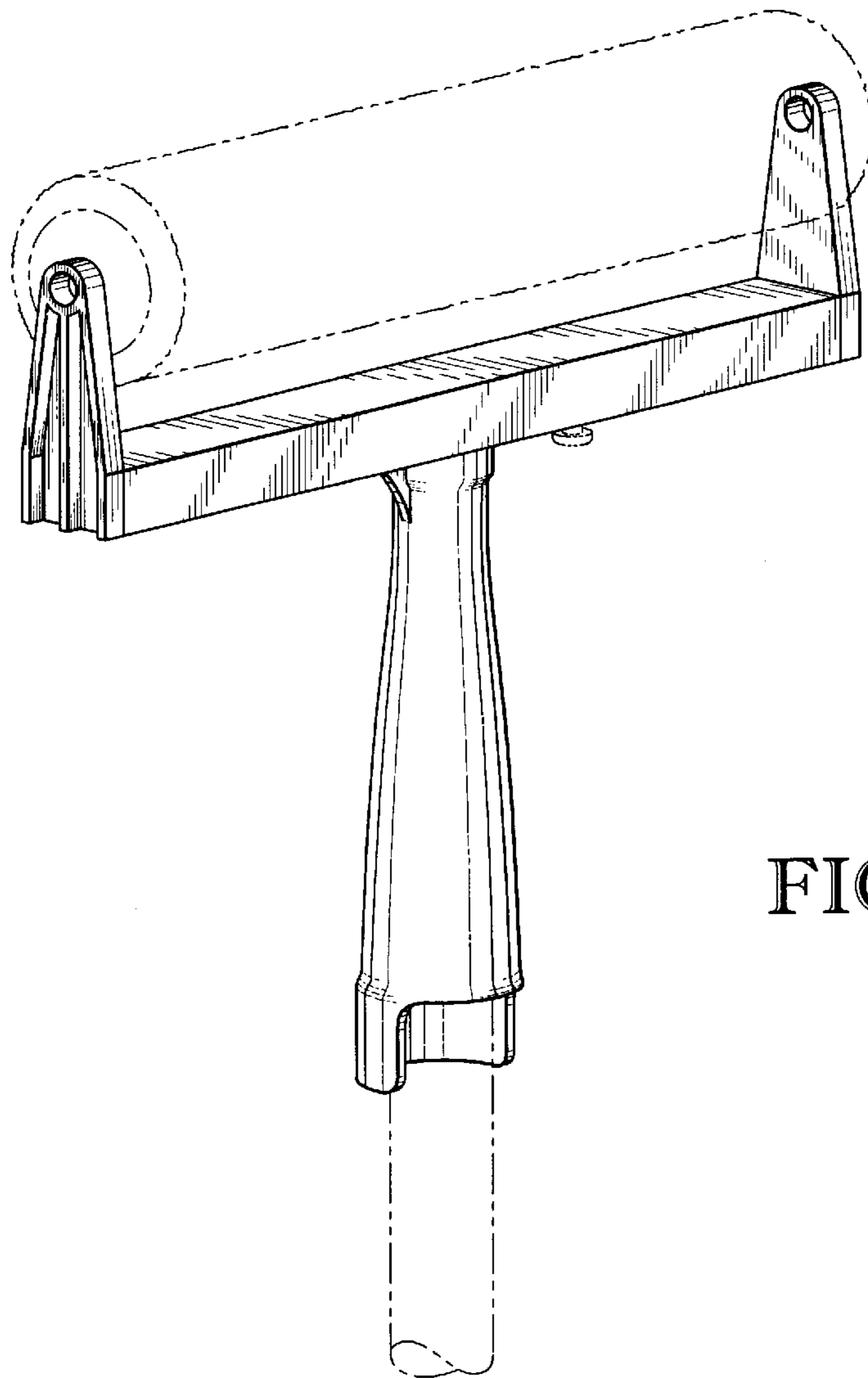


FIG. 1

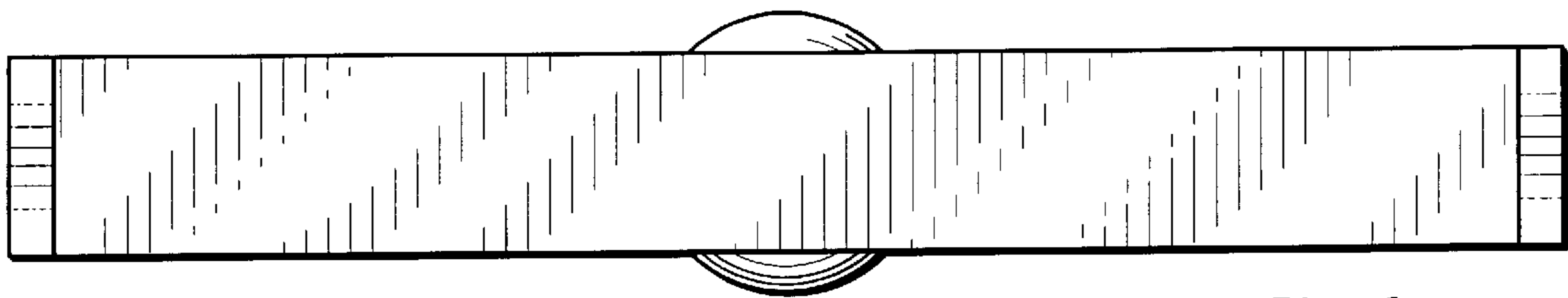


FIG. 6

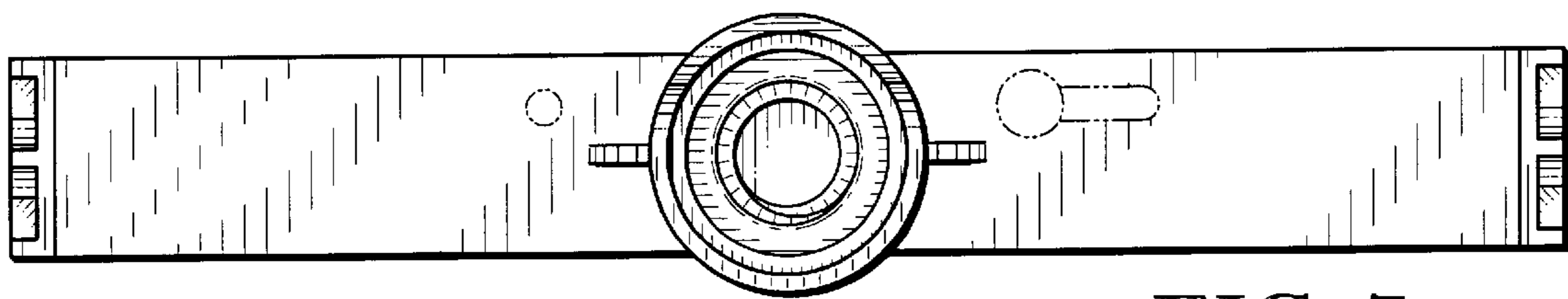


FIG. 7

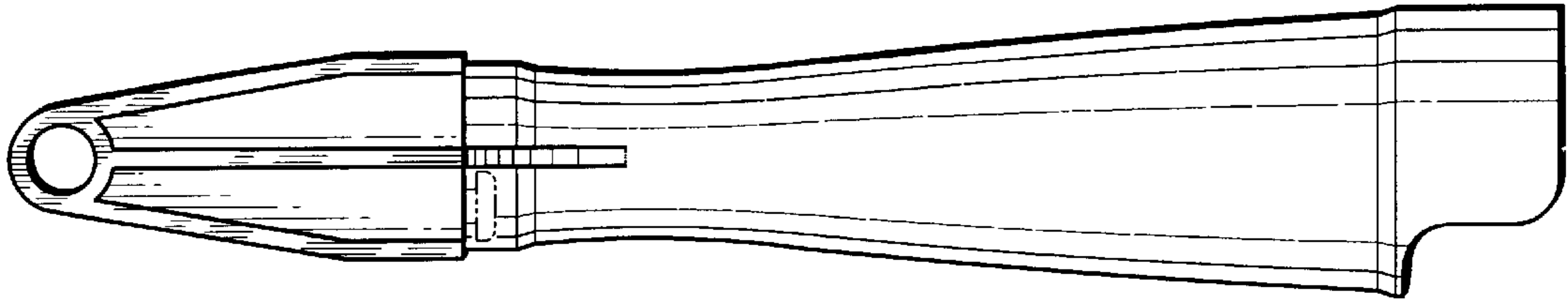


FIG. 3

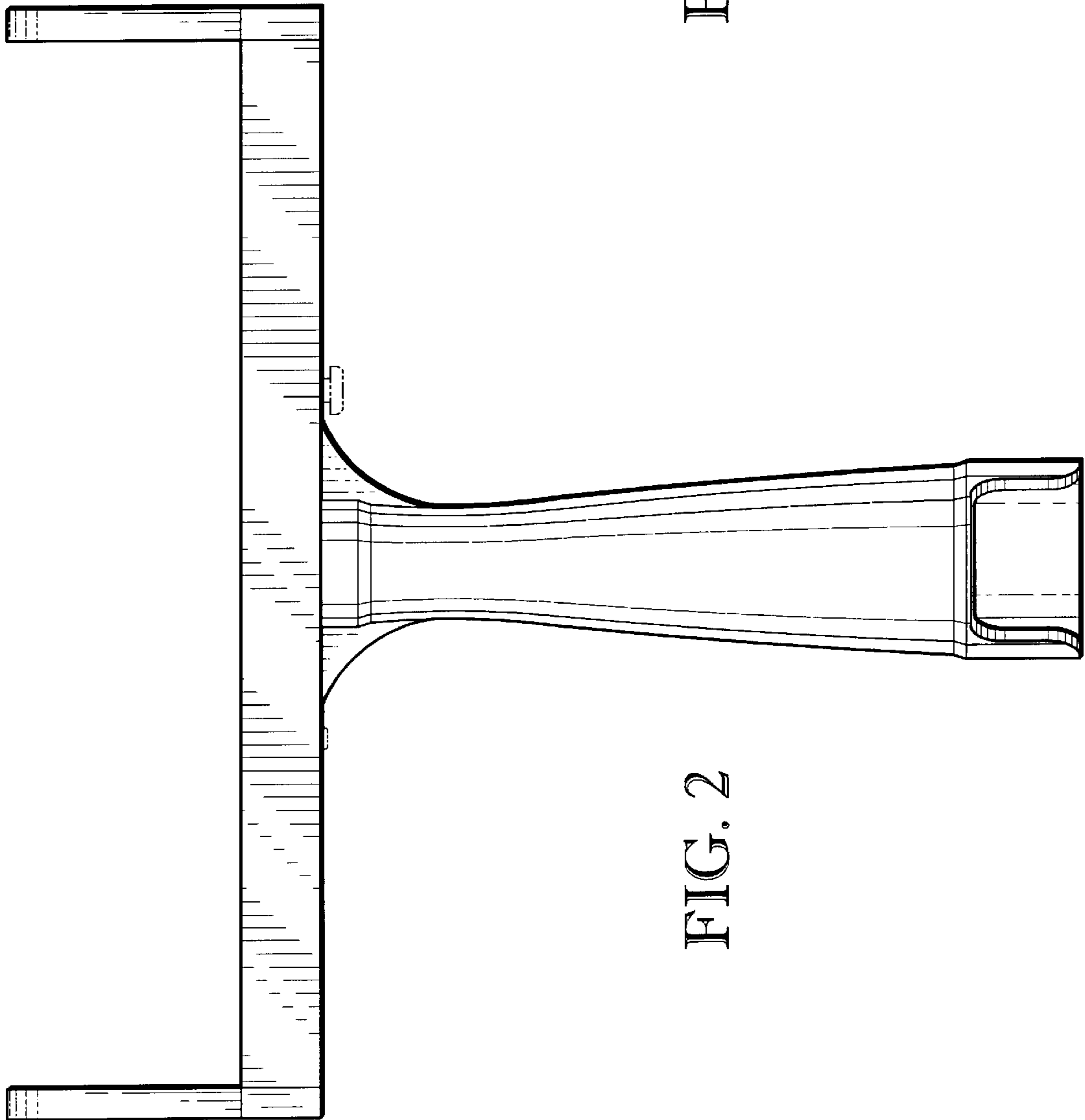


FIG. 2

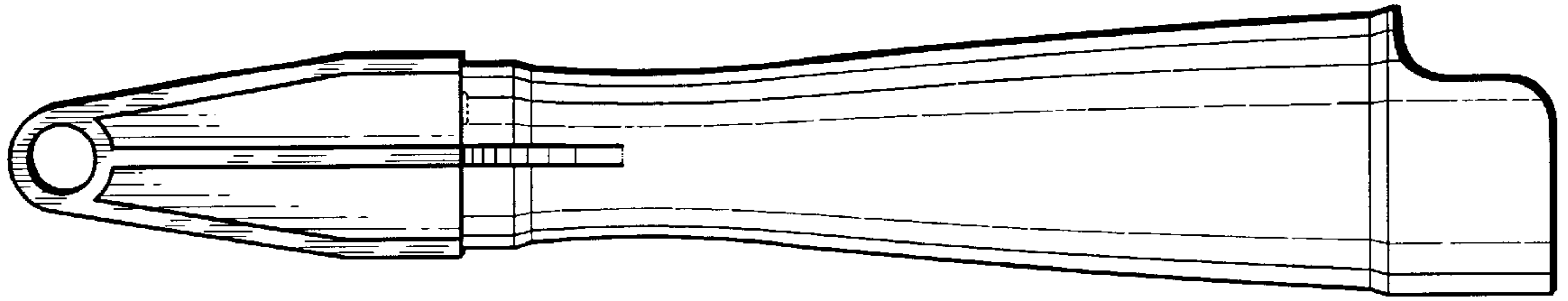


FIG. 5

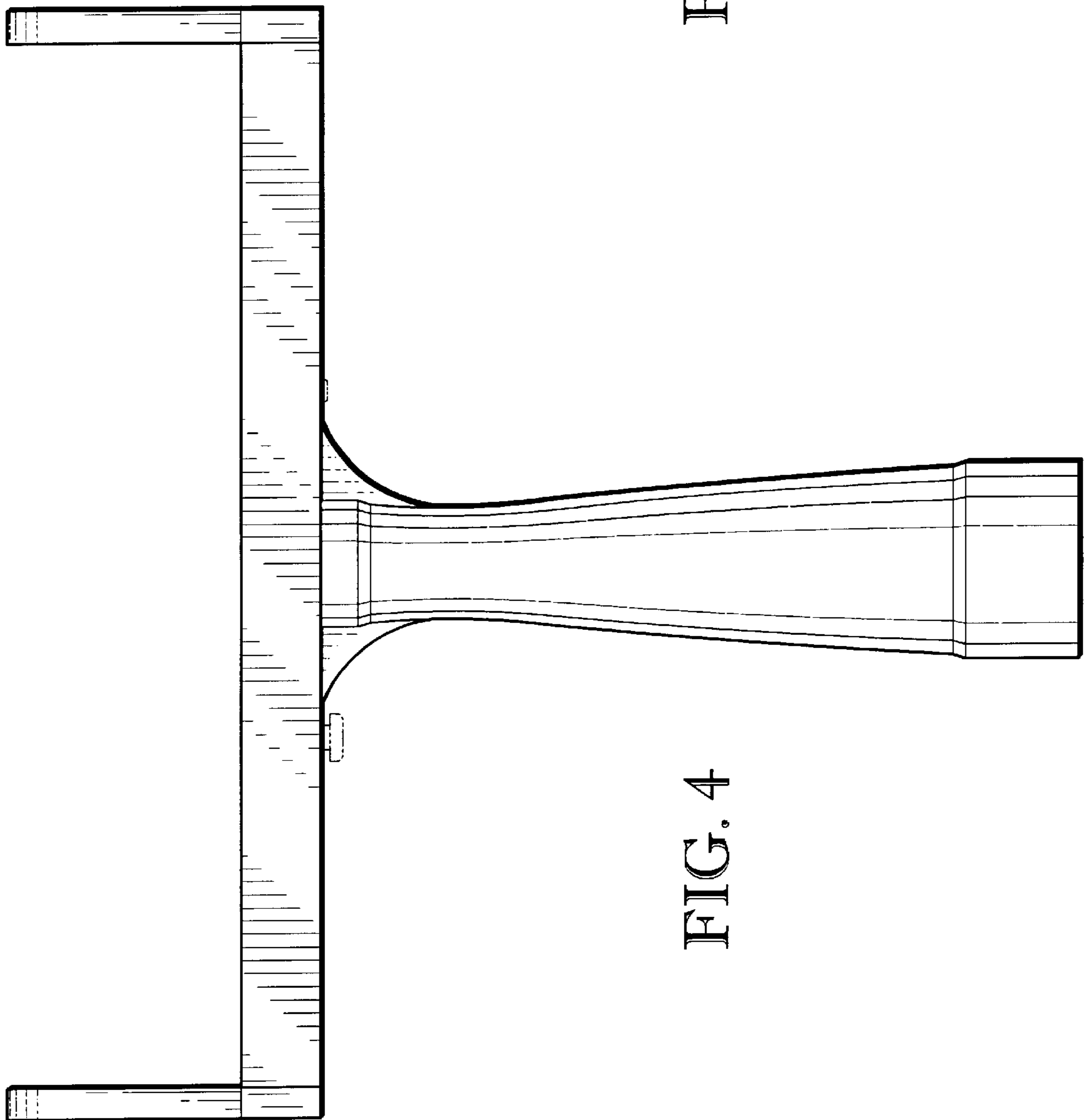


FIG. 4