



US00D459586S

(12) **United States Design Patent**
Cummings et al.

(10) **Patent No.: US D459,586 S**

(45) **Date of Patent: ** Jul. 2, 2002**

(54) **BRUSH WITH JOINED SHANK**

6,216,306 B1 * 4/2001 Esterson et al. 15/111

(75) Inventors: **Alan Cummings**, Opelika, AL (US);
Mike Rowe, Dayton, OH (US);
Andrew Kahler, Fortson, GA (US)

(73) Assignee: **W. C. Bradley Company**, Columbus,
GA (US)

(**) Term: **14 Years**

(21) Appl. No.: **29/142,709**

(22) Filed: **May 31, 2001**

(51) **LOC (7) Cl.** **04-01**

(52) **U.S. Cl.** **D4/118; D4/132**

(58) **Field of Search** D4/116, 118, 132,
D4/138; D7/393, 395, 401.2, 688, 692;
D32/42, 49; 15/105, 111, 143.1, 159.1,
160, 236.01, 236.02; 16/110.1, 430, 431,
DIG. 12, DIG. 19

(56) **References Cited**

U.S. PATENT DOCUMENTS

D100,225 S	*	6/1936	Porter	D4/132
2,498,803 A	*	2/1950	Gentile	D4/118 X
D307,077 S	*	4/1990	Bryant	D4/138
D358,491 S	*	5/1995	Hoagland	D4/138
D429,889 S	*	8/2000	Fielding	D4/118

OTHER PUBLICATIONS

Hong Kong Enterprise, vol. 10, Oct. 1996, household brushes circled on the left side of the block at the top of p. 1393.*

* cited by examiner

Primary Examiner—M. H. Tung

Assistant Examiner—Lavone Tabor

(74) *Attorney, Agent, or Firm*—James W. Kayden; Thomas, Kayden, Horstemeyer & Risley

(57) **CLAIM**

The ornamental design for a brush with joined shank, as shown and described.

DESCRIPTION

FIG. 1 is a perspective view showing our new brush with joined shank;

FIG. 2 is a front elevational view thereof;

FIG. 3 is a rear elevational view thereof;

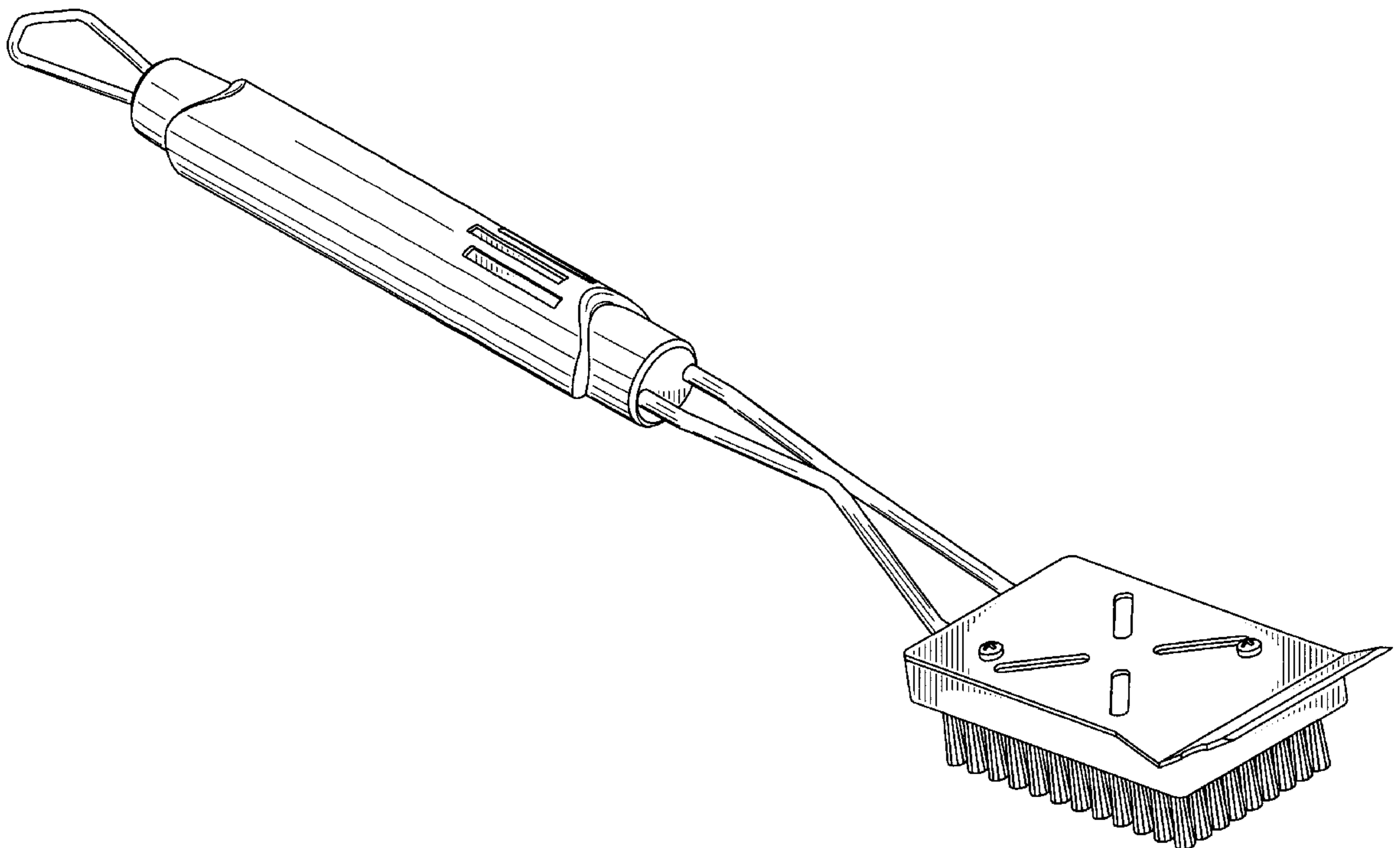
FIG. 4 is a top plan view thereof;

FIG. 5 is a right side elevational view thereof;

FIG. 6 is a bottom plan view thereof; and,

FIG. 7 is a left side elevational view thereof.

1 Claim, 3 Drawing Sheets



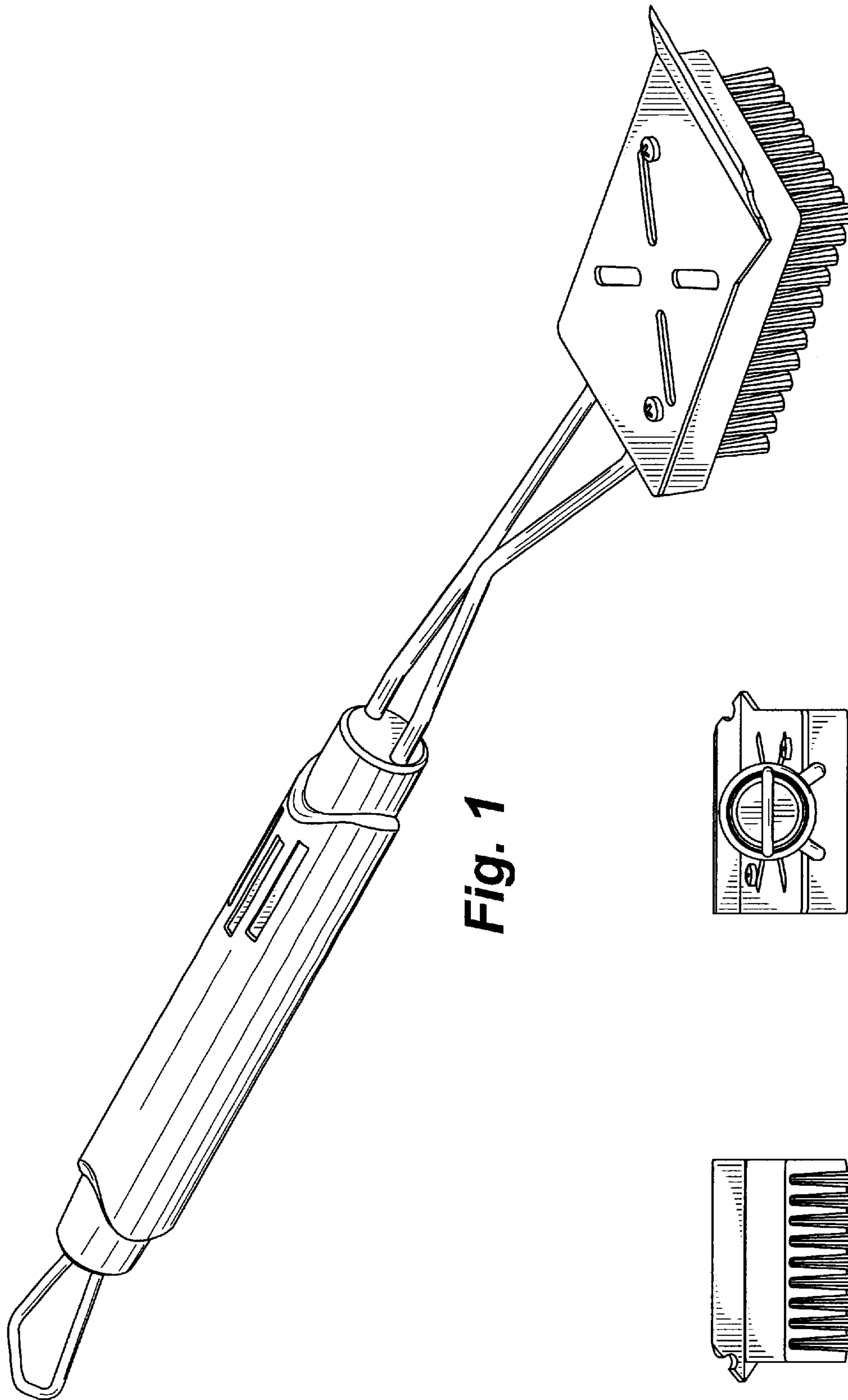


Fig. 1

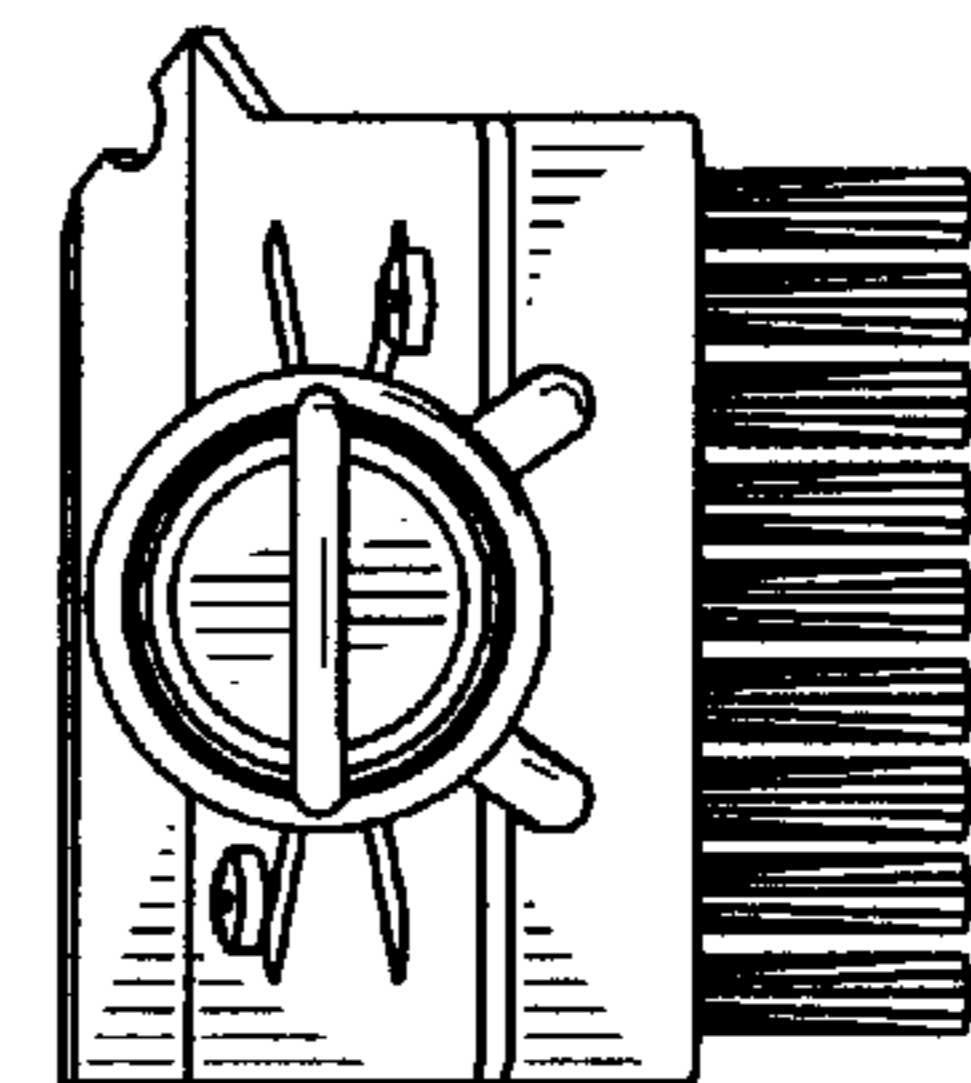


Fig. 3

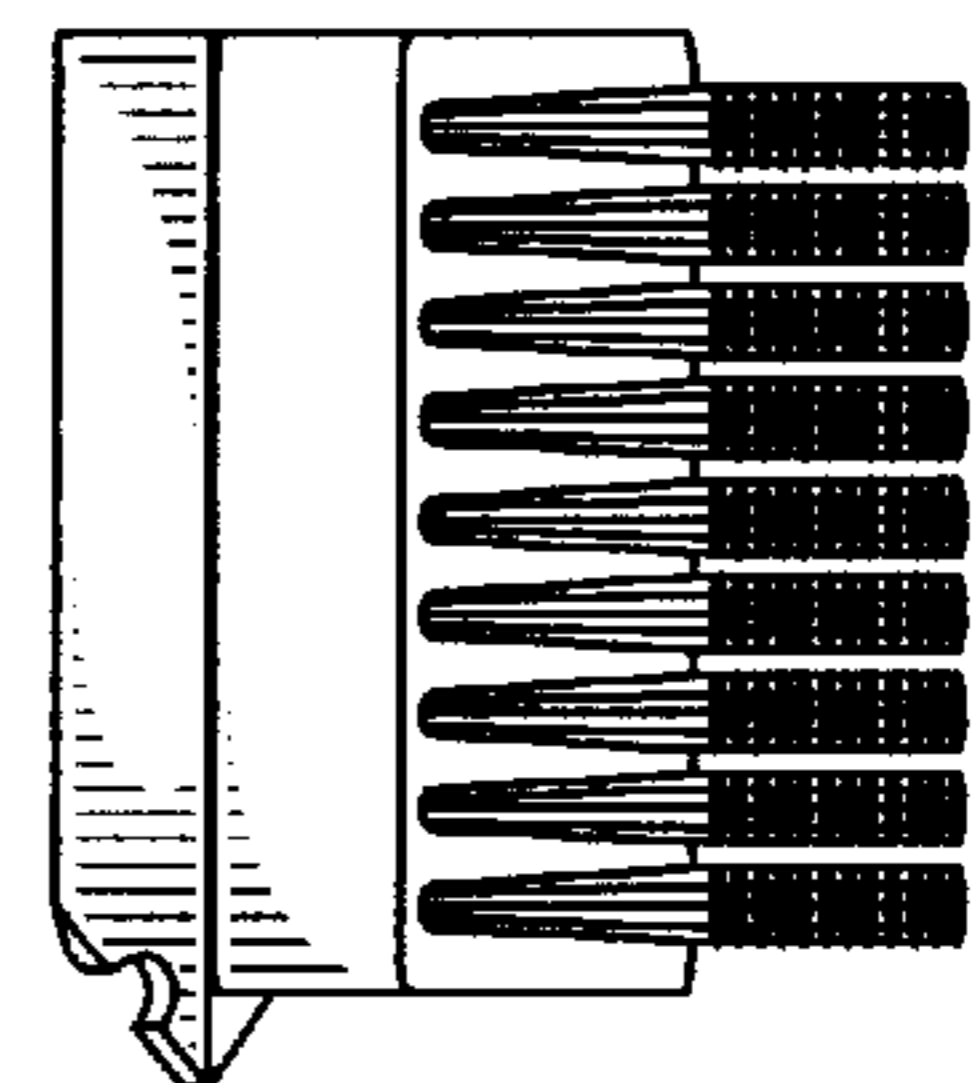


Fig. 2

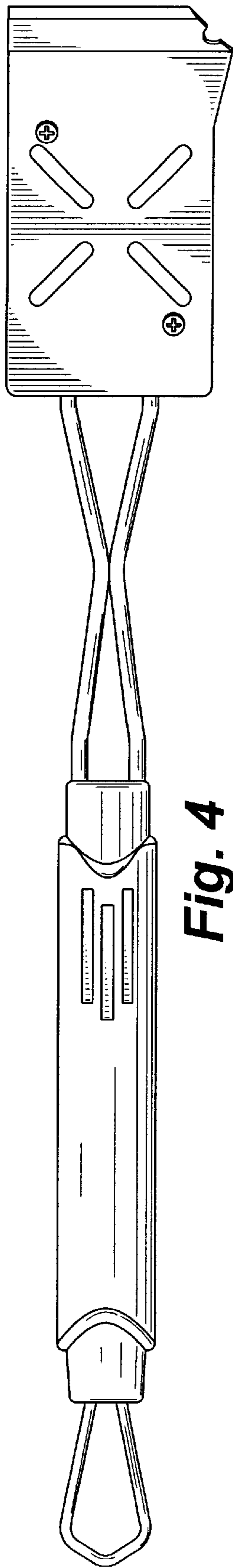


Fig. 4

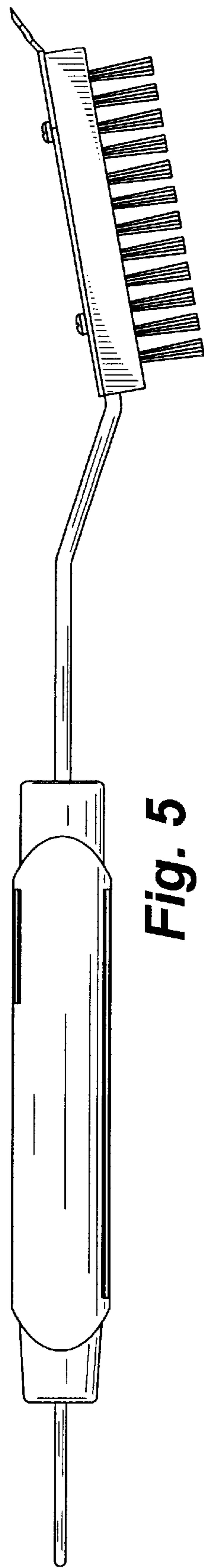


Fig. 5

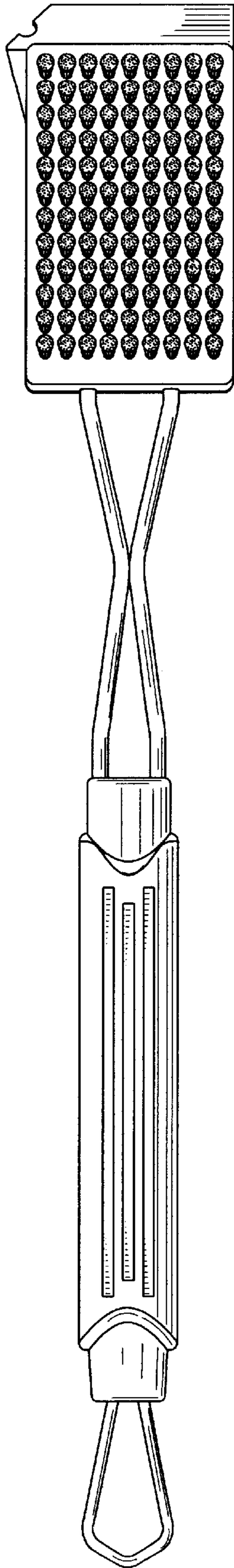


Fig. 6

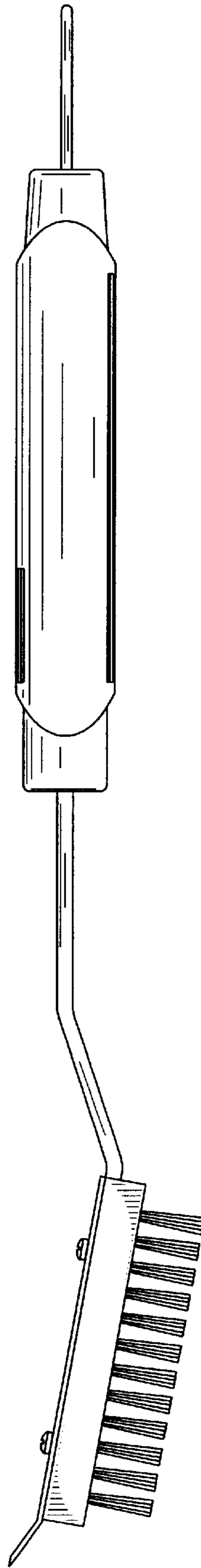


Fig. 7