



US00D459585S

(12) **United States Design Patent**  
**Moreno et al.**

(10) **Patent No.:** **US D459,585 S**

(45) **Date of Patent:** **\*\* Jul. 2, 2002**

(54) **TOOTHPASTE DISPENSING TOOTHBRUSH**

D347,944 S 6/1994 Honora ..... D4/108  
D378,957 S \* 4/1997 Turner et al. .... D4/108

(76) Inventors: **Holly D. Moreno; Alejandro Alex Moreno**, both of 6061 Camino Correr, Anaheim Hills, CA (US) 92807

**FOREIGN PATENT DOCUMENTS**

(\*\*) Term: **14 Years**

DE 2507980 \* 8/1976 ..... A46B/11/02

\* cited by examiner

(21) Appl. No.: **29/129,238**

*Primary Examiner*—Alan P. Douglas

*Assistant Examiner*—Lavone Tabor

(22) Filed: **Sep. 8, 2000**

(74) *Attorney, Agent, or Firm*—Goldstein Law Offices, P.C.

(51) **LOC (7) Cl.** ..... **04-02**

(57) **CLAIM**

(52) **U.S. Cl.** ..... **D4/108; D4/114**

The ornamental design for a toothpaste dispensing toothbrush, as shown and described.

(58) **Field of Search** ..... D4/104–112, 132, D4/134, 138, 114; 15/143.1, 167.1; 132/308, 311; 401/150, 171–175, 268, 270, 286, 287, 281

**DESCRIPTION**

(56) **References Cited**

**U.S. PATENT DOCUMENTS**

1,578,922	A	*	3/1926	Sargery	.....	401/175
D146,271	S	*	1/1947	Stavely	.....	D4/104
2,579,343	A	*	12/1951	Sherland, Sr.	.....	15/167.1 X
4,062,635	A		12/1977	Teh-Sheng	.....	401/175
4,277,194	A		7/1981	Smith	.....	401/173
4,421,433	A	*	12/1983	Villanueva	.....	401/175
4,580,587	A		4/1986	Rittich et al.	.....	132/308
4,717,278	A		1/1988	Kemeny	.....	401/286
5,066,155	A		11/1991	English et al.	.....	401/175

FIG. 1 is a perspective view of a toothpaste dispensing toothbrush.

FIG. 2 is a top plan view thereof.

FIG. 3 is a bottom plan view thereof.

FIG. 4 is a rear elevational view thereof.

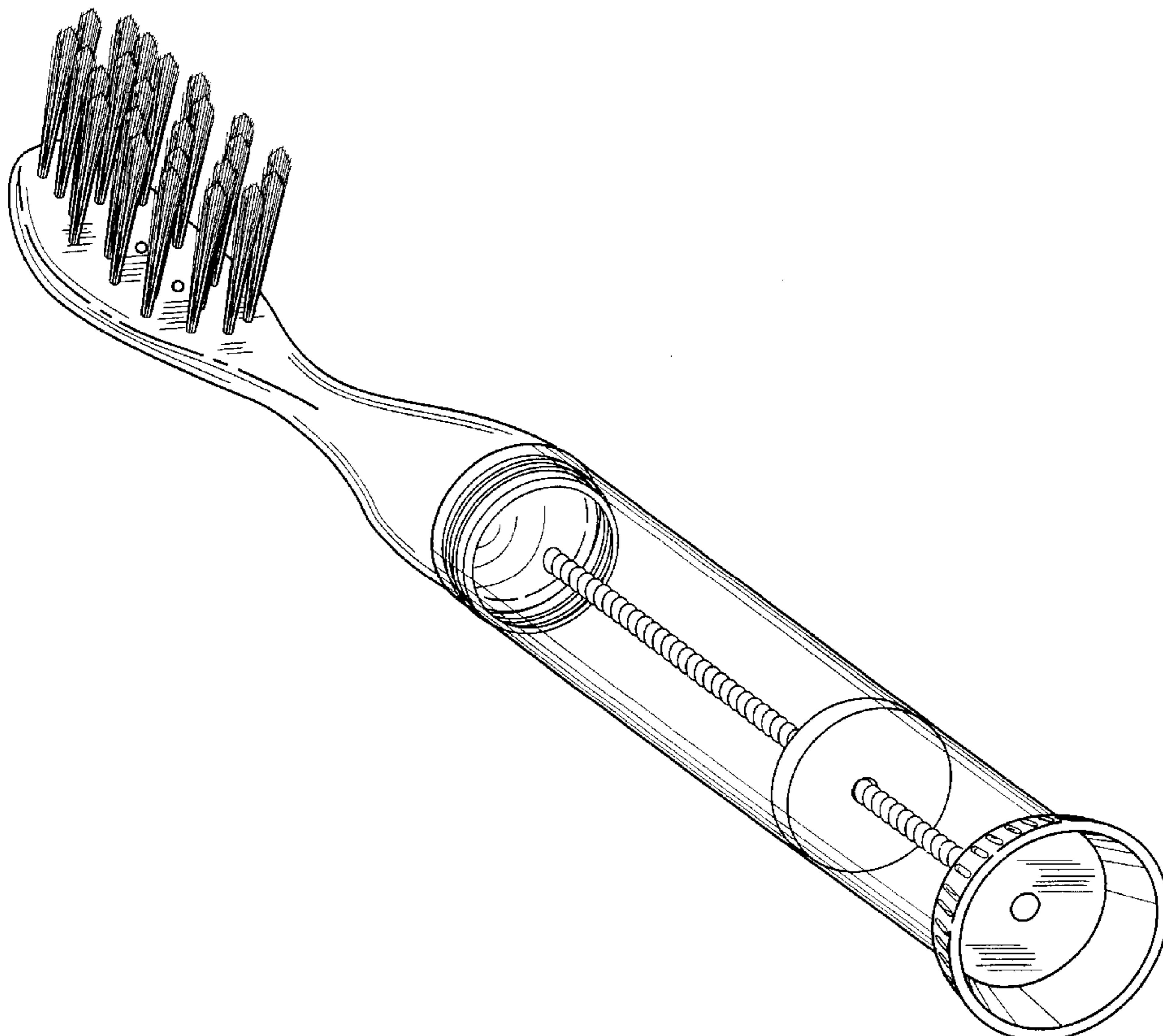
FIG. 5 is a front elevational view thereof.

FIG. 6 is a left side elevational view of the toothpaste dispensing toothbrush.

FIG. 7 is a right side elevational view thereof; and,

FIG. 8 is an exploded view of the toothpaste dispensing toothbrush.

**1 Claim, 5 Drawing Sheets**



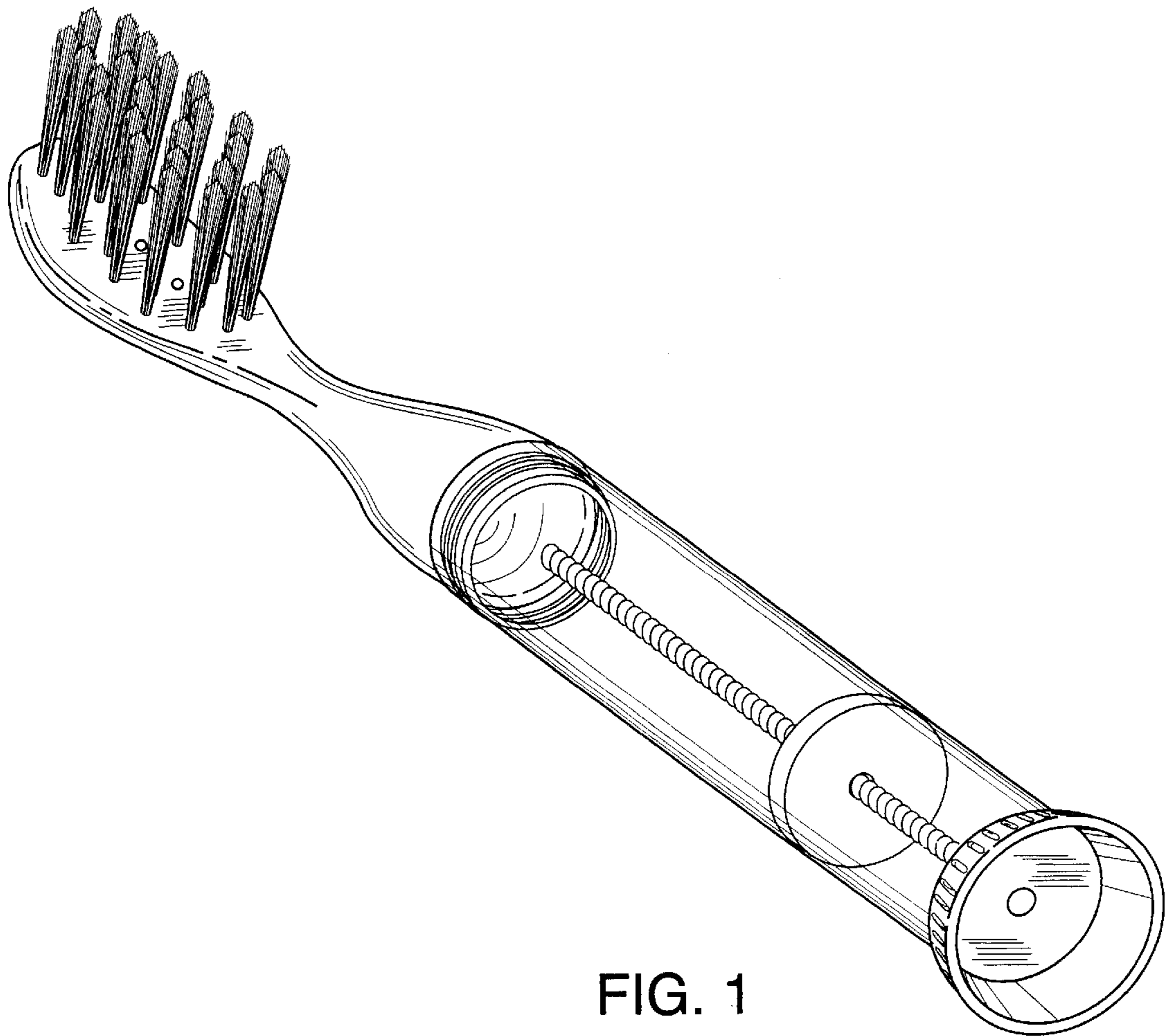


FIG. 1

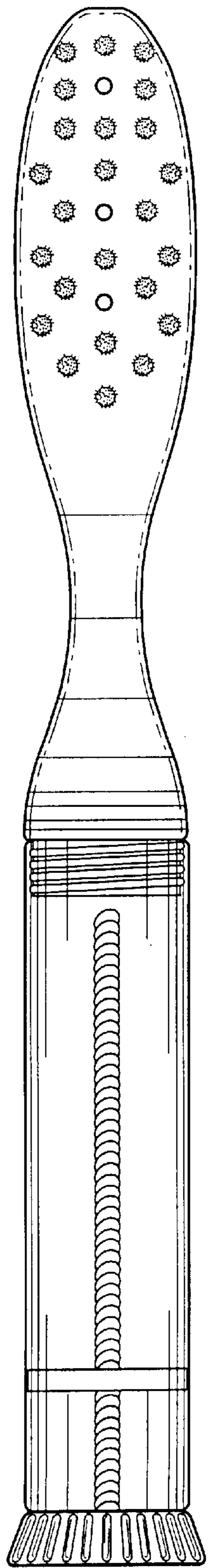


FIG. 2

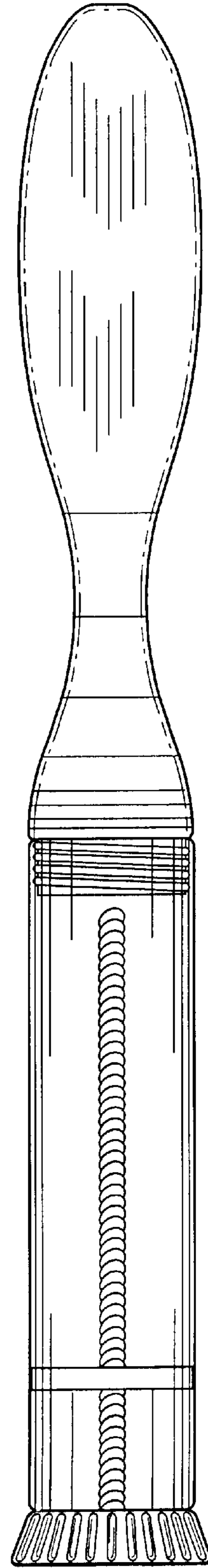


FIG. 3

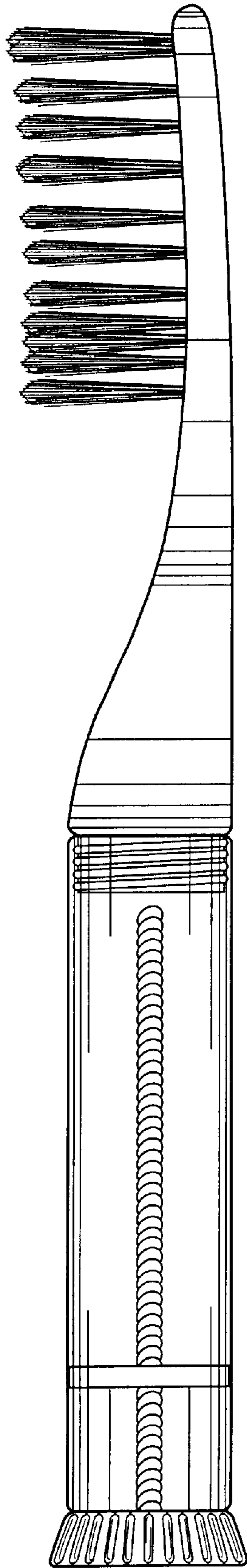


FIG. 4

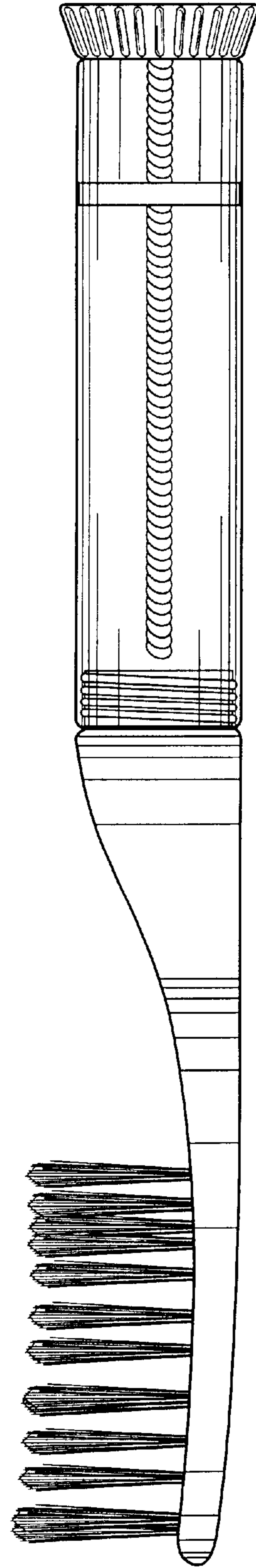


FIG. 5

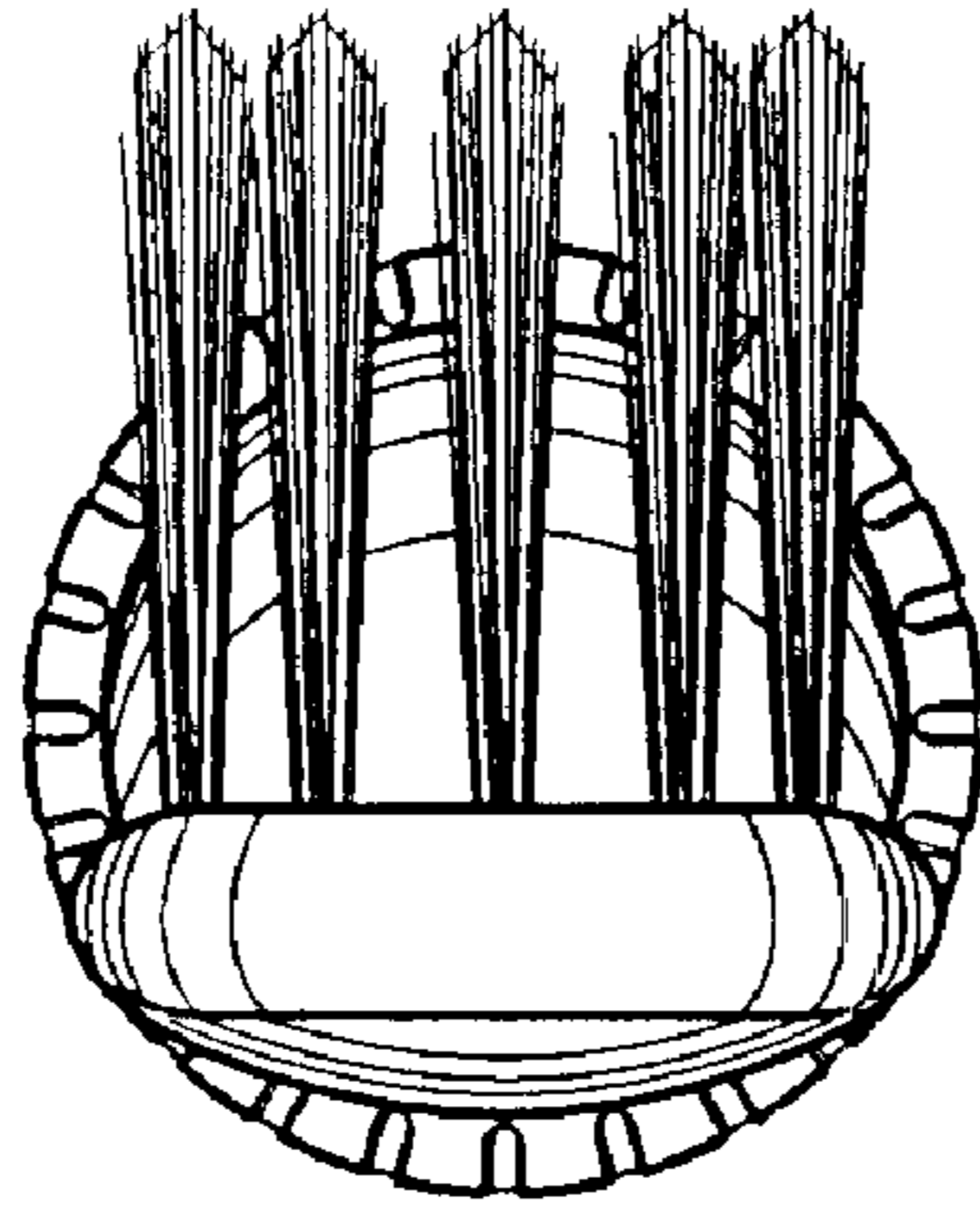


FIG. 6

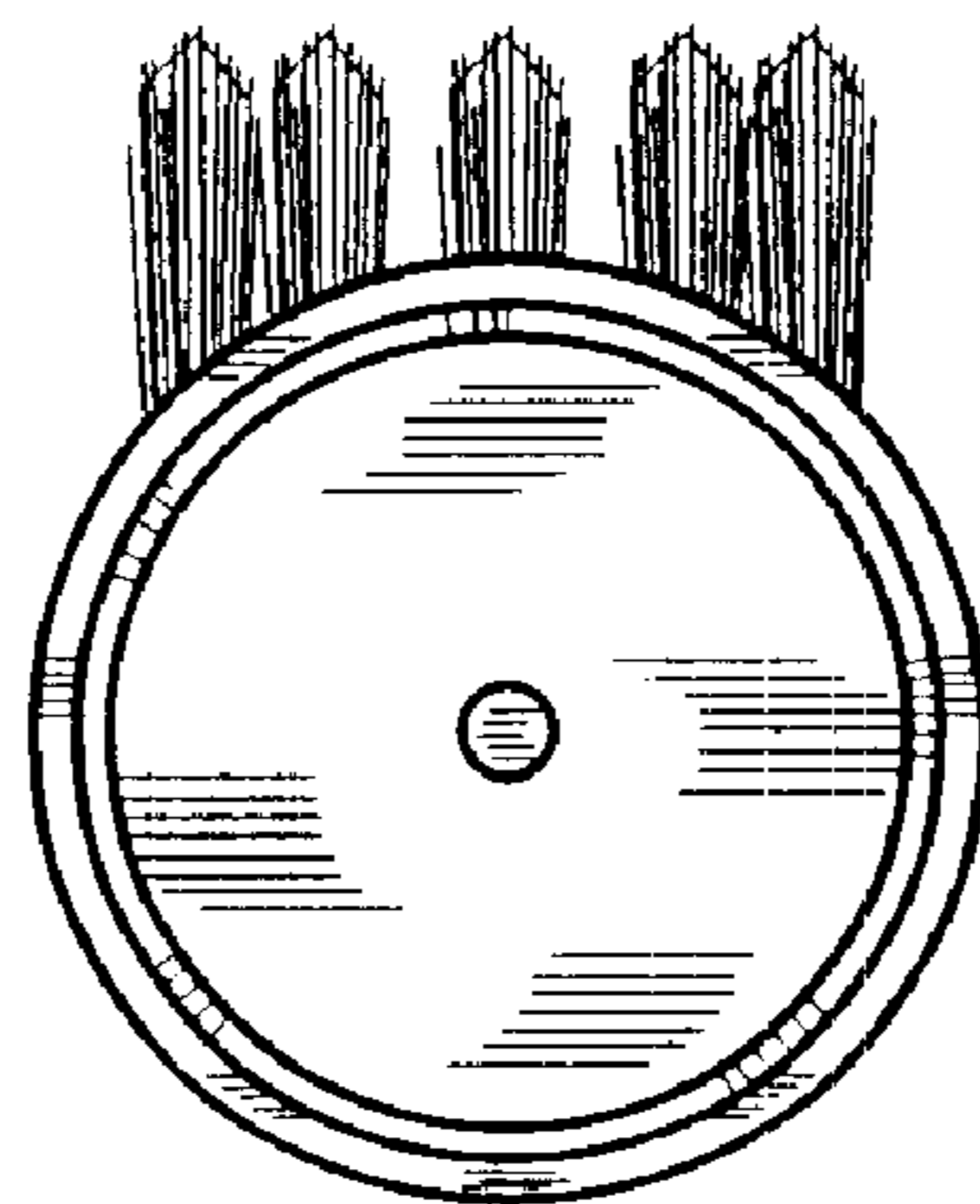


FIG. 7



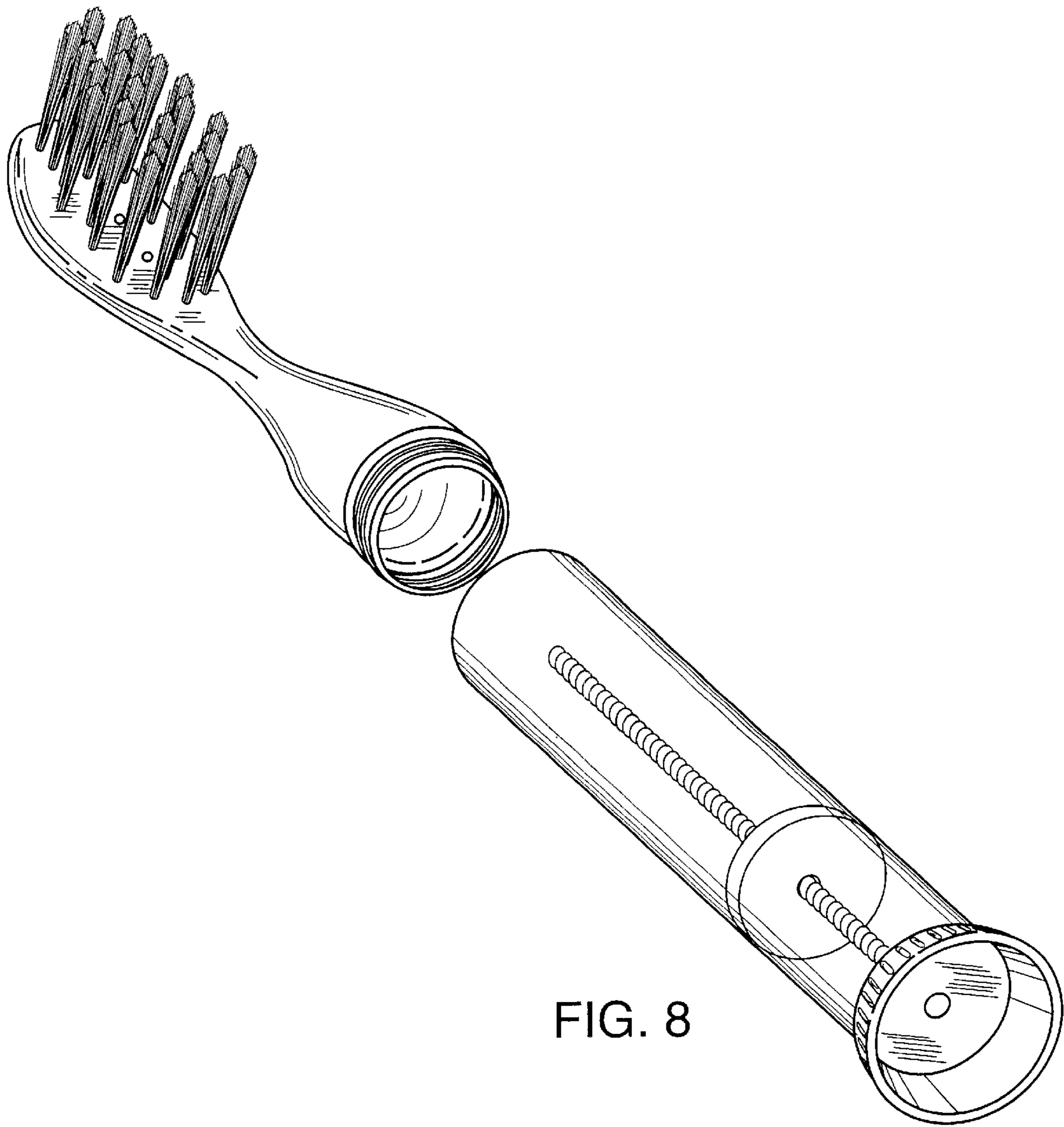


FIG. 8