



US00D459580S

(12) **United States Design Patent**
Chen

(10) **Patent No.:** **US D459,580 S**

(45) **Date of Patent:** **** Jul. 2, 2002**

(54) **TOOL CASE**

(76) **Inventor:** **Kun-Chen Chen**, No. 6, Lane 609,
Sec. 1, Chung-Shan Rd., Ye-Her Li,
Tachia Chen, Taichung Hsien (TW)

(**) **Term:** **14 Years**

(21) **Appl. No.:** **29/144,718**

(22) **Filed:** **Jul. 9, 2001**

(51) **LOC (7) Cl.** **03-01**

(52) **U.S. Cl.** **D3/282; D3/273; D3/276;**
D3/905

(58) **Field of Search** **D3/273, 276, 282,**
D3/294, 905; 206/373, 372, 349

(56) **References Cited**

U.S. PATENT DOCUMENTS

D308,750 S	*	6/1990	Hillinger	D3/282
D318,367 S	*	7/1991	Chen	D3/294
D326,279 S	*	5/1992	Logan	D19/35
D328,189 S	*	7/1992	Hillinger	D3/282
D328,390 S	*	8/1992	MacDonald et al.	D3/270

D339,232 S	*	9/1993	Chen	D3/292
D364,958 S	*	12/1995	Chang	D3/276
D385,109 S	*	10/1997	Staheli	D3/281
6,068,123 A	*	5/2000	Chen	206/373
D443,415 S	*	6/2001	Hung	D3/273

* cited by examiner

Primary Examiner—Philip S. Hyder

(74) *Attorney, Agent, or Firm*—Jackson Walker L.L.P.

(57) **CLAIM**

The ornamental design for a tool case, as shown.

DESCRIPTION

FIG. 1 is a perspective view of a tool case showing my new design;

FIG. 2 is a front elevational view thereof;

FIG. 3 is a rear elevational view thereof;

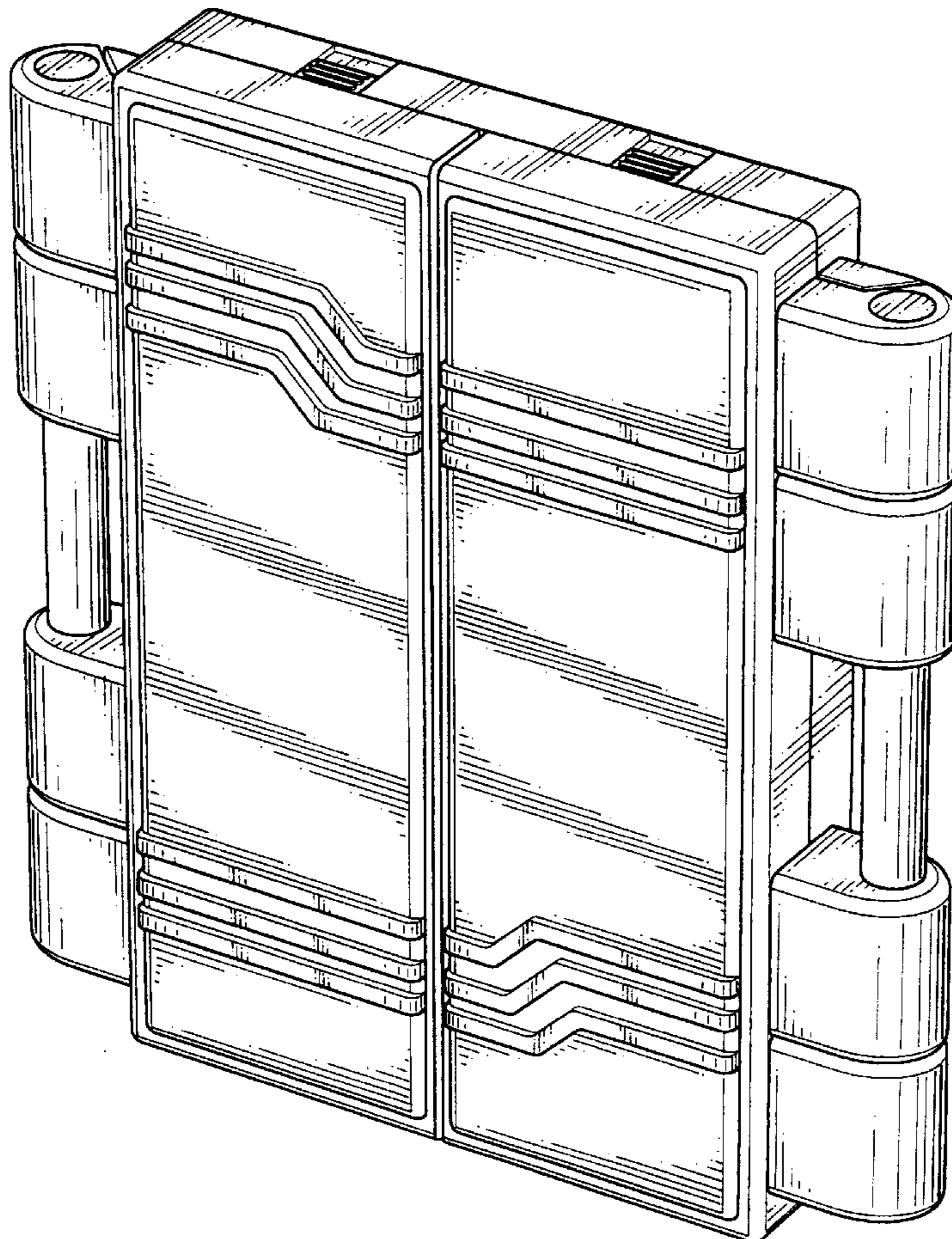
FIG. 4 is a left side view thereof;

FIG. 5 is a right side view thereof;

FIG. 6 is a top plain view thereof; and,

FIG. 7 is a bottom plain view thereof.

1 Claim, 5 Drawing Sheets



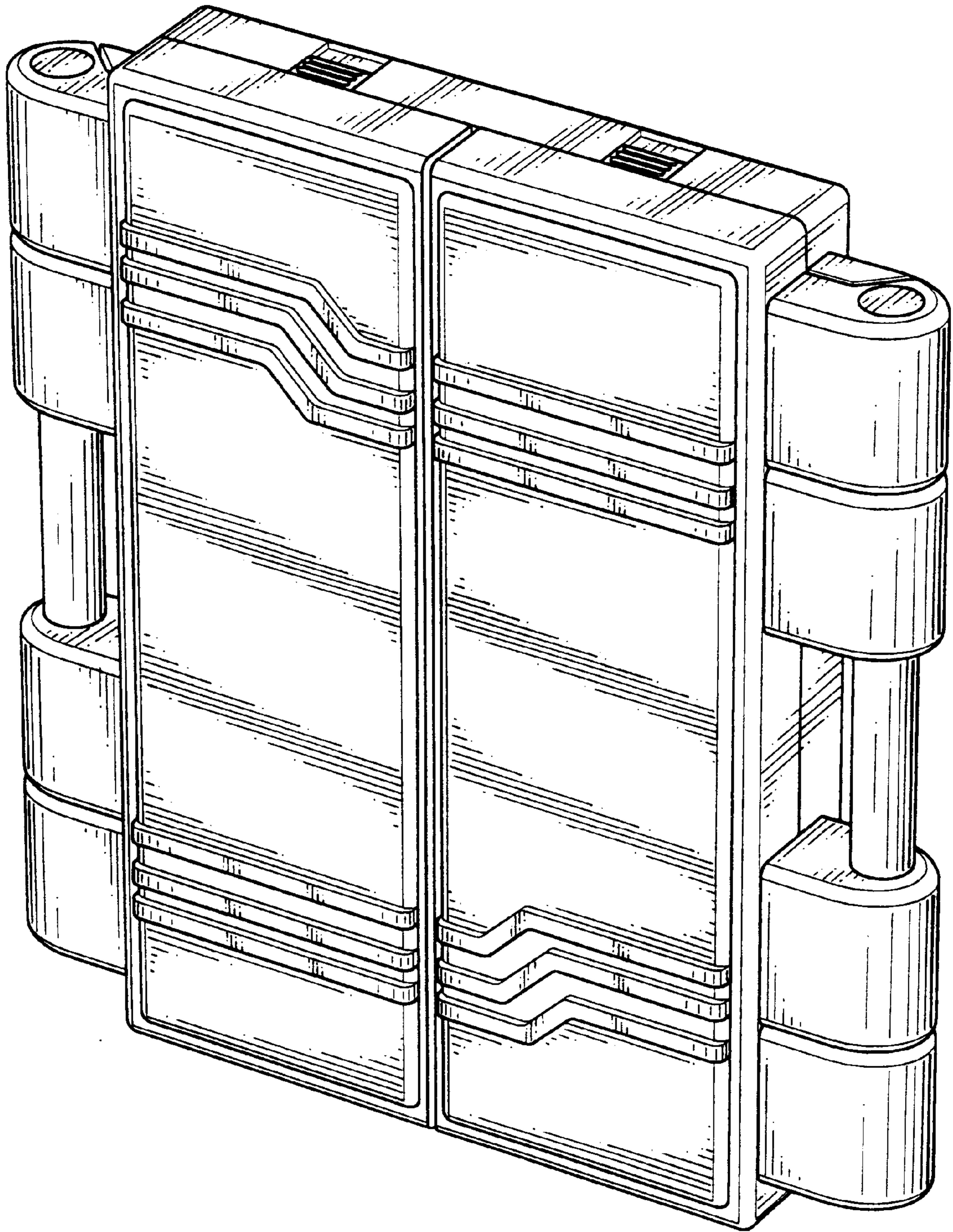


FIG. 1

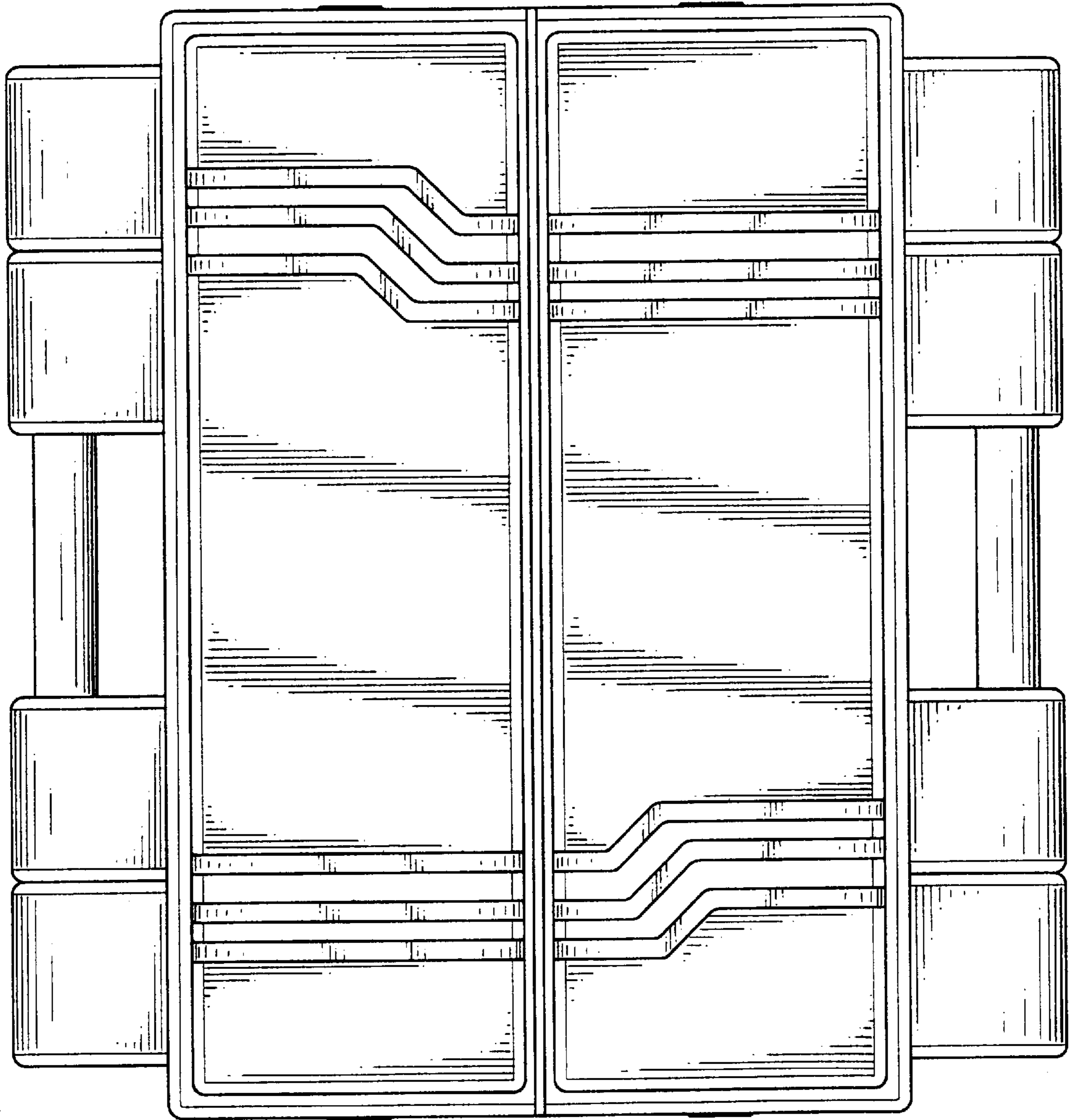


FIG.2

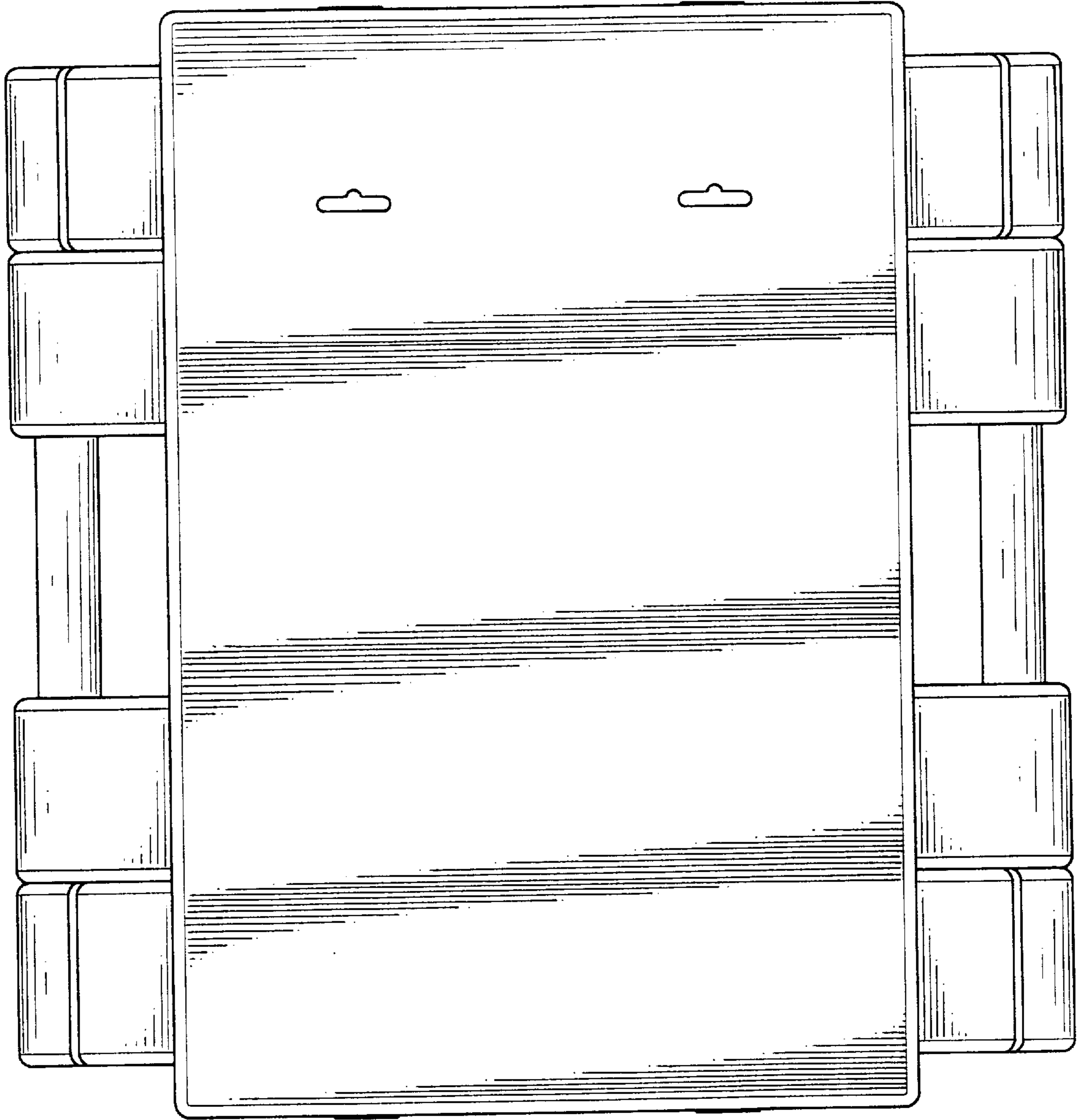


FIG. 3

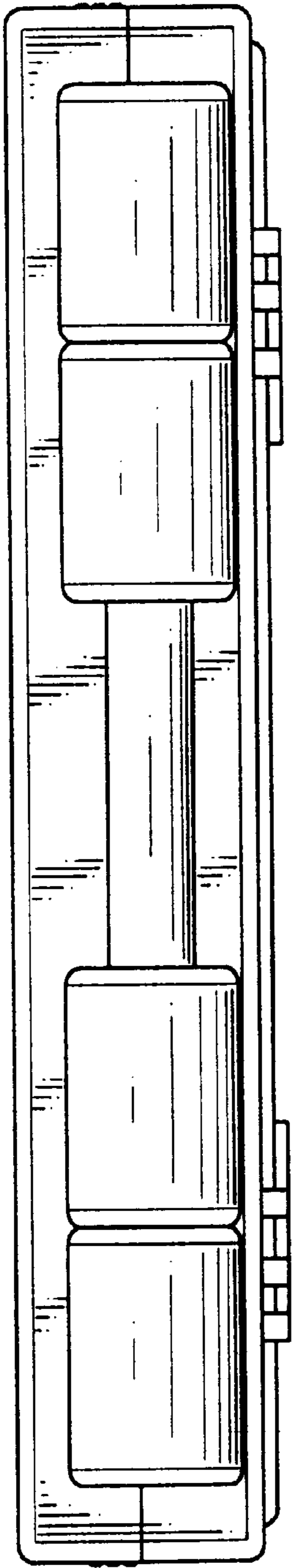


FIG. 4

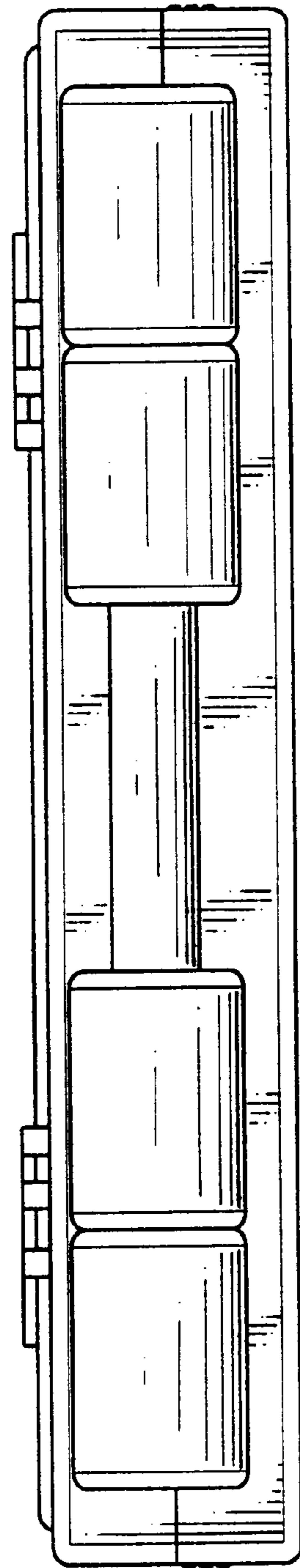


FIG. 5

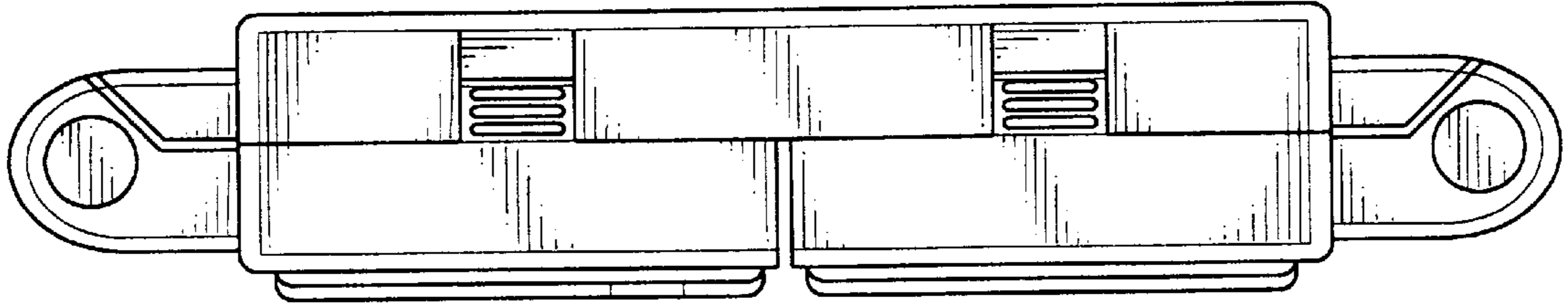


FIG. 6

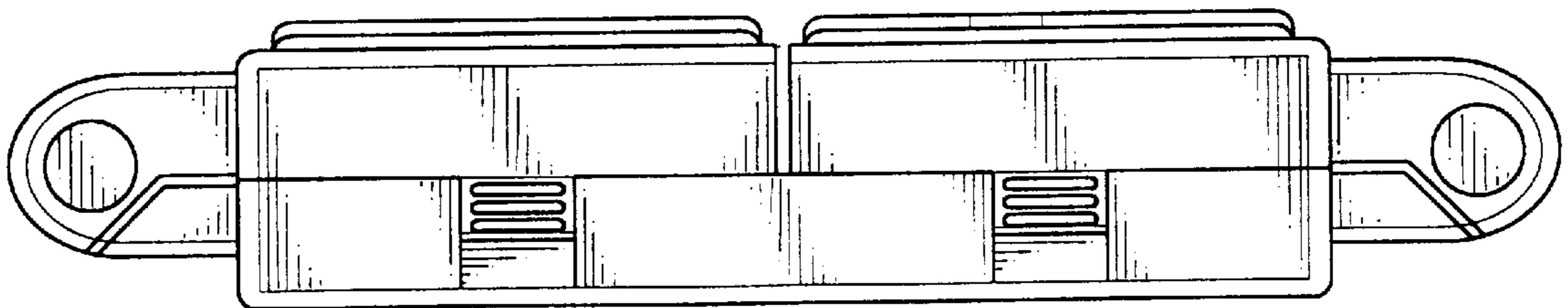


FIG. 7