



US00D459579S

(12) **United States Design Patent**  
**Kegels**

(10) **Patent No.:** **US D459,579 S**

(45) **Date of Patent:** **\*\* Jul. 2, 2002**

(54) **LUGGAGE**

(75) **Inventor:** **Xavier Kegels, Berchem (BE)**

(73) **Assignee:** **Ashwell Limited, Douglas (GB)**

(\*\*) **Term:** **14 Years**

(21) **Appl. No.:** **29/138,539**

(22) **Filed:** **Mar. 15, 2001**

(51) **LOC (7) Cl.** ..... **03-01**

(52) **U.S. Cl.** ..... **D3/279**

(58) **Field of Search** ..... D3/273, 276, 279,  
D3/283, 285, 289; 190/18 A, 100, 109,  
110, 111, 112, 113

(56) **References Cited**

**U.S. PATENT DOCUMENTS**

D352,395 S	*	11/1994	King	.....	D3/279
D364,504 S	*	11/1995	Bieber et al.	.....	D3/276
D374,987 S	*	10/1996	Hughes	.....	D3/279
D381,511 S	*	7/1997	Krulik	.....	D3/279
D383,604 S	*	9/1997	King et al.	.....	D3/279
D385,699 S	*	11/1997	Lin	.....	D3/279

D389,308 S	*	1/1998	King et al.	.....	D3/279
6,059,079 A	*	5/2000	Krulik	.....	190/111
D431,906 S	*	10/2000	Livingston	.....	D3/276
D444,946 S	*	7/2001	Klamm	.....	D3/279

\* cited by examiner

*Primary Examiner*—Philip S. Hyder

(74) *Attorney, Agent, or Firm*—Notaro & Michalos P.C.

(57) **CLAIM**

The ornamental design for a luggage, as shown and described.

**DESCRIPTION**

FIG. 1 is a front elevational view of a luggage showing my new design therefor;

FIG. 2 is a rear elevational view thereof;

FIG. 3 is a right side elevational view thereof;

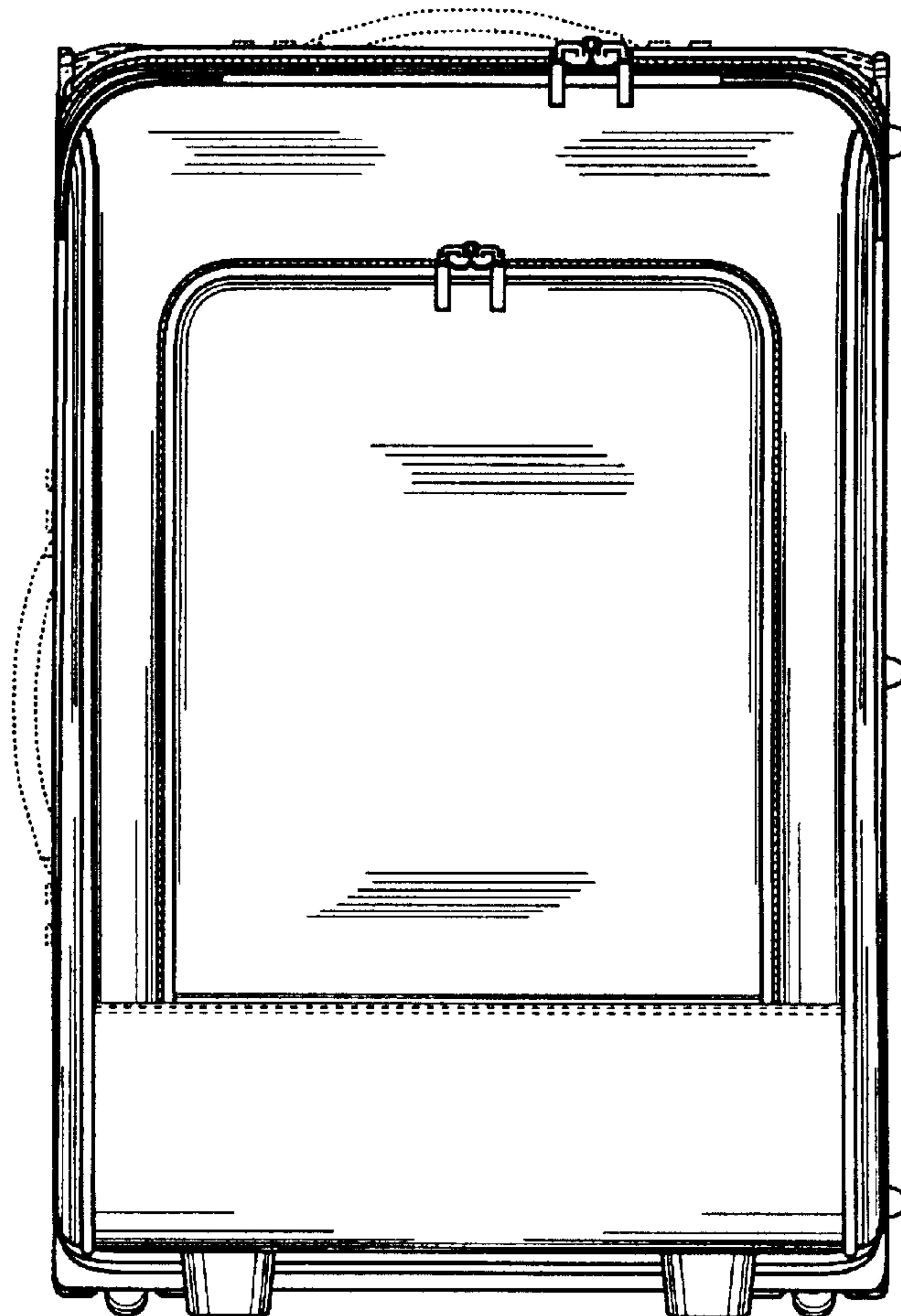
FIG. 4 is a left side elevational view thereof;

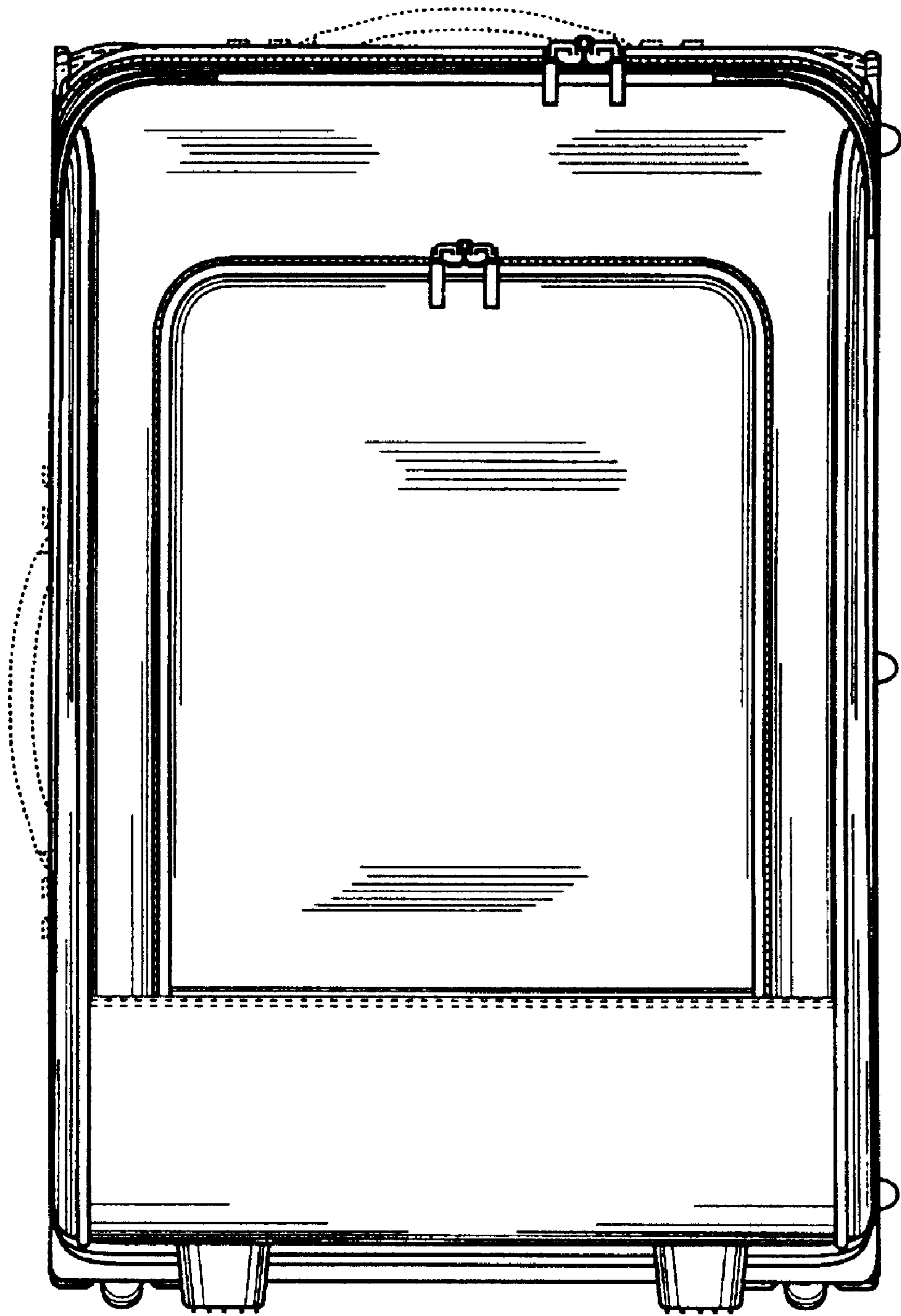
FIG. 5 is a top plan view thereof; and,

FIG. 6 is a bottom plan view thereof.

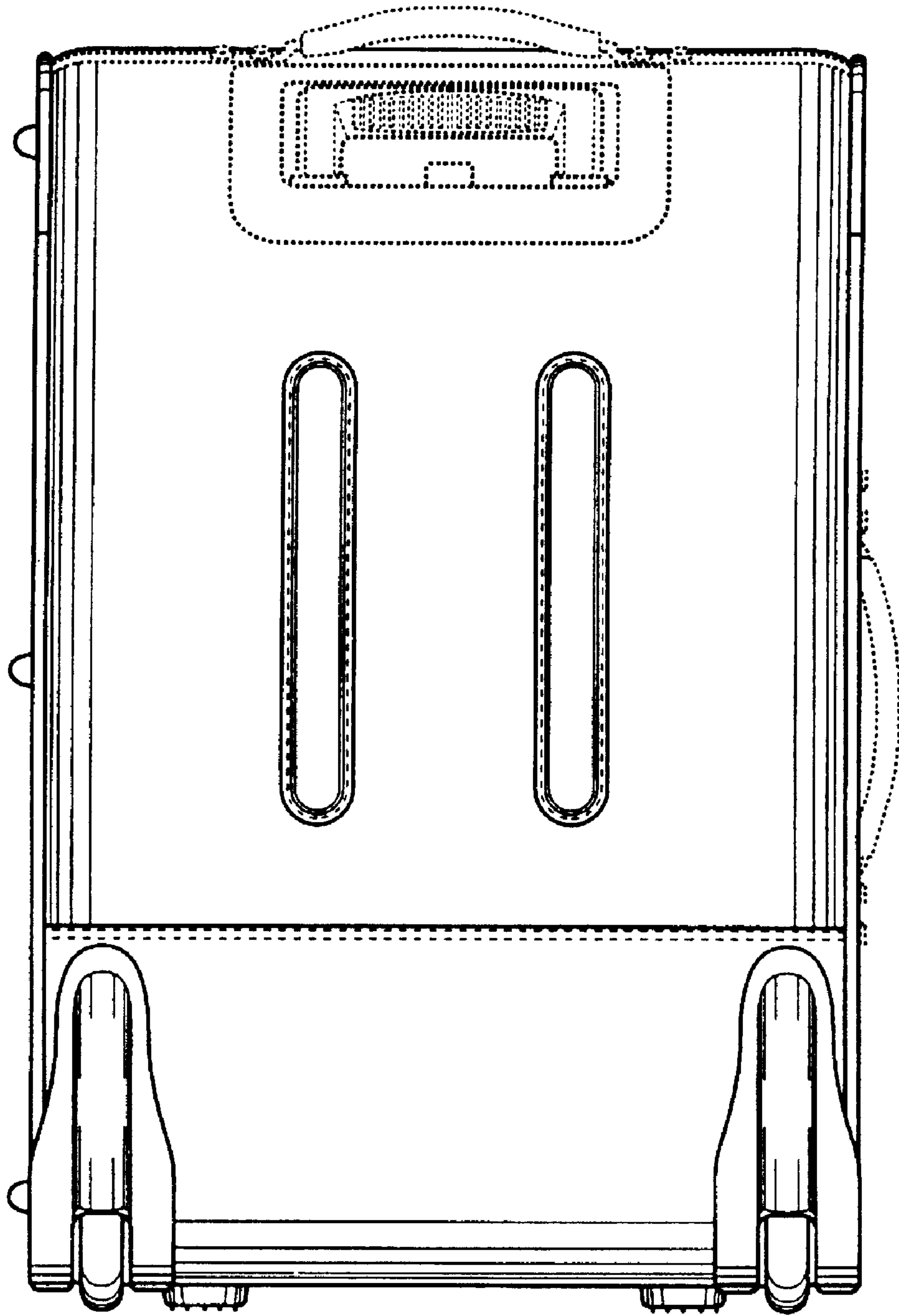
The straps and top handle in all the figures are shown as environment only and form no part of the design.

**1 Claim, 4 Drawing Sheets**

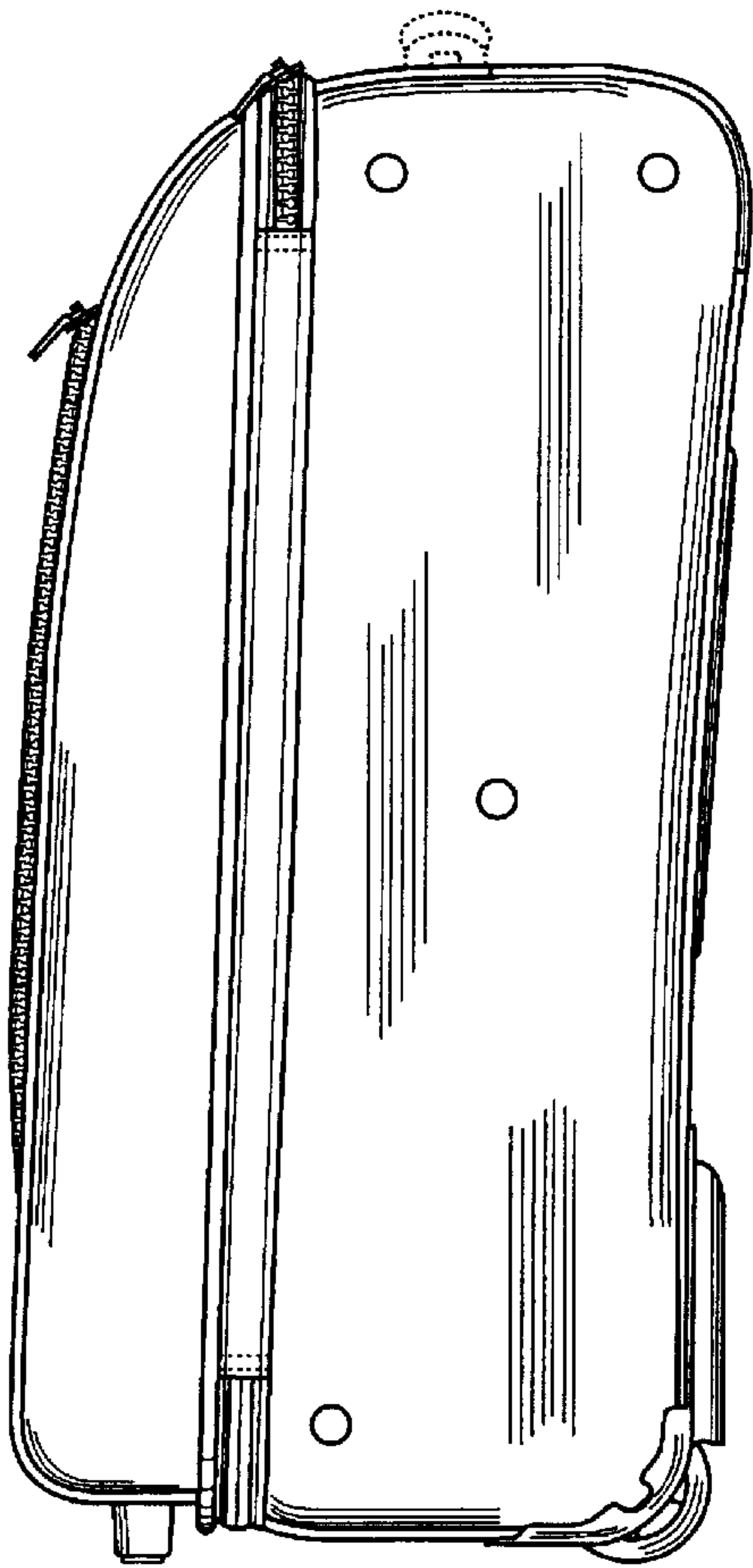




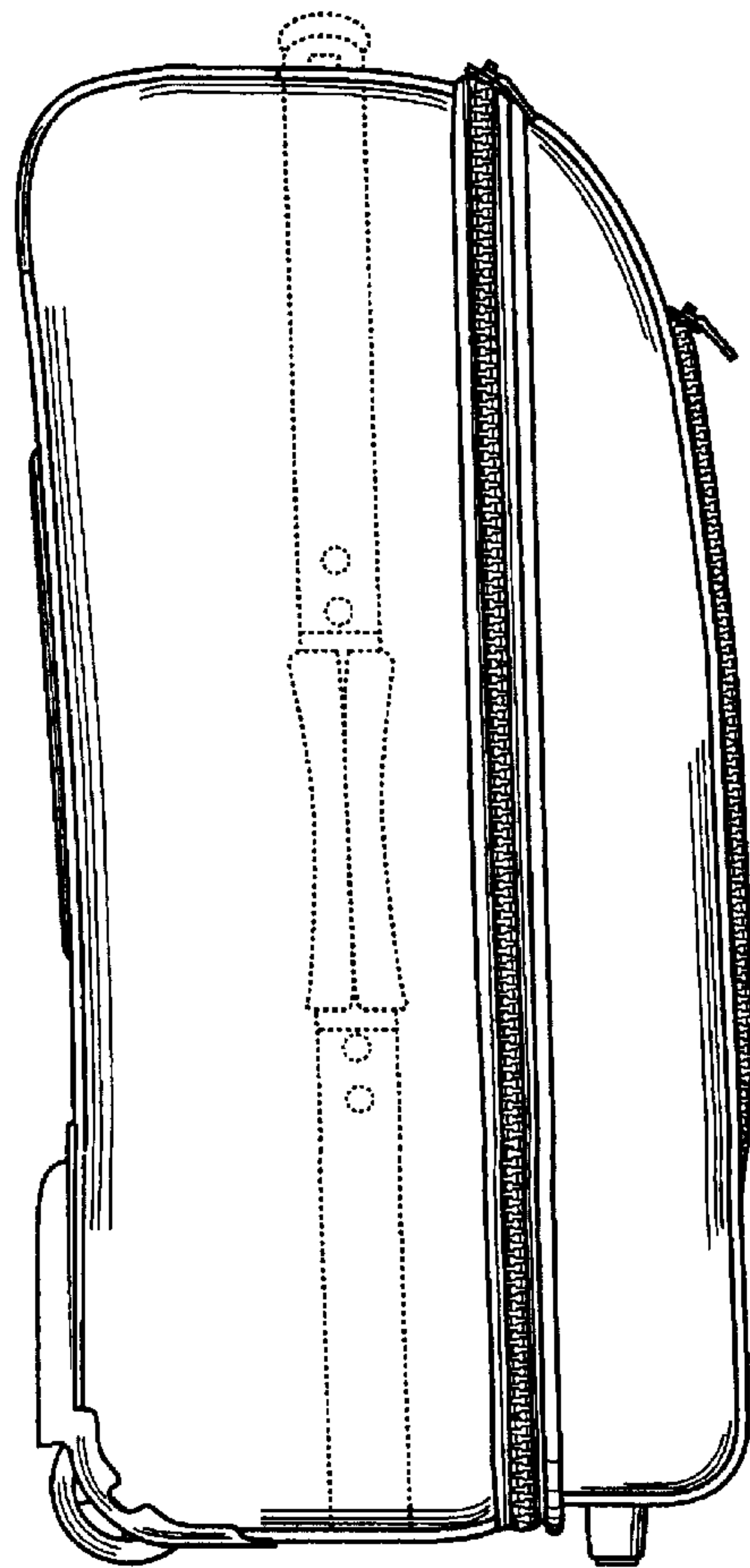
**FIG. 1**



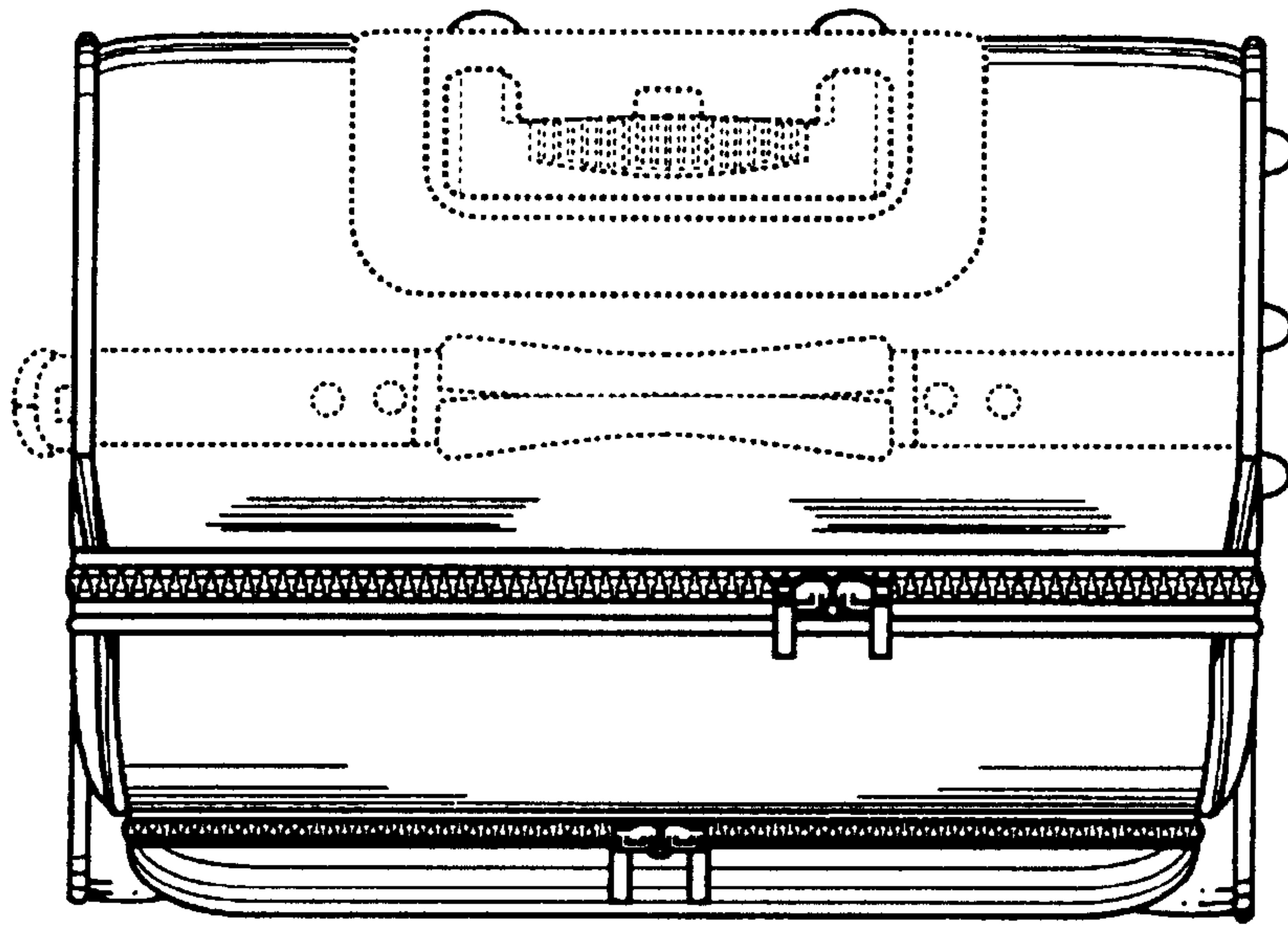
**FIG. 2**



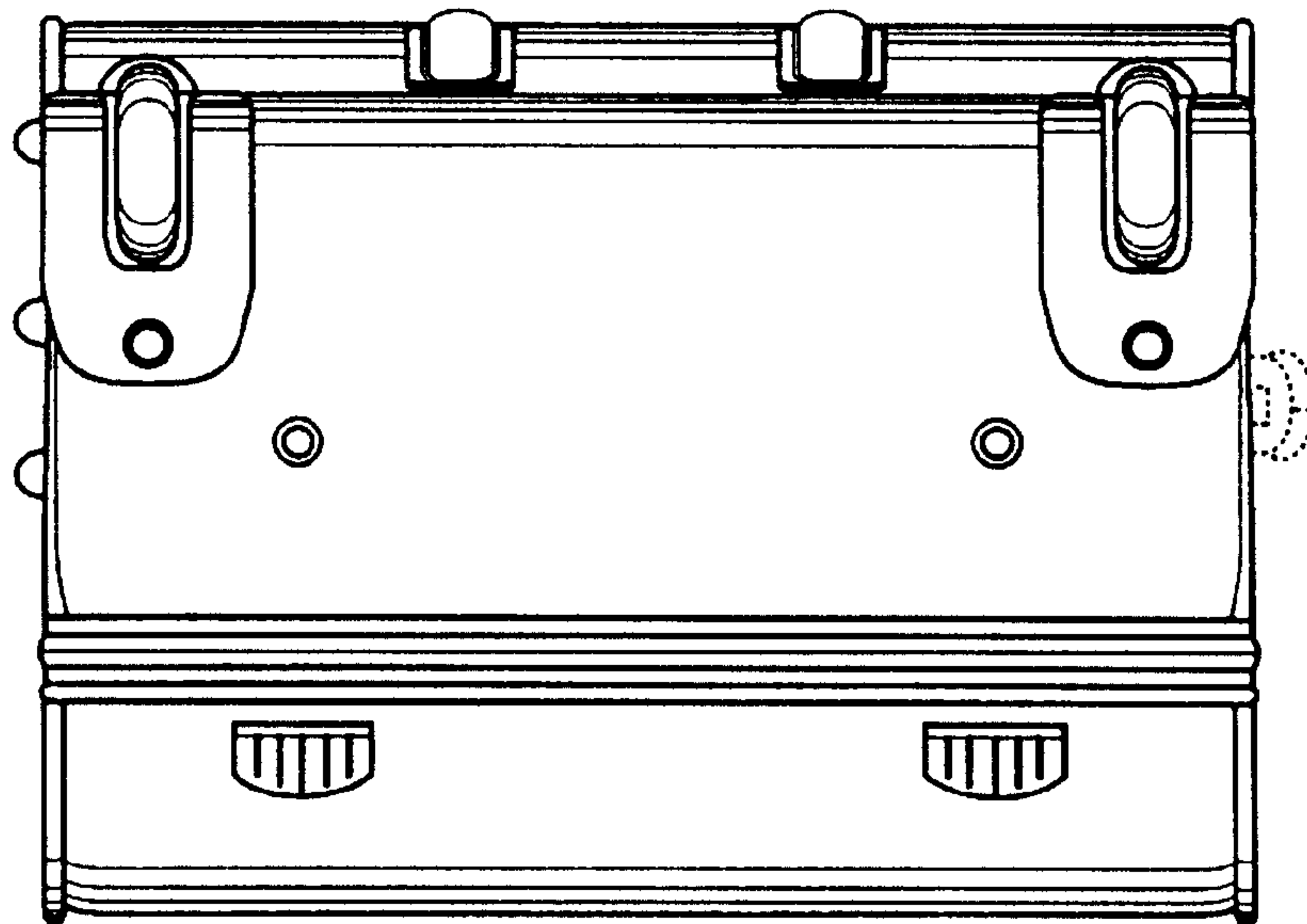
**FIG. 3**



**FIG. 4**



**FIG. 5**



**FIG. 6**