



US00D459578S

(12) **United States Design Patent**
Esslinger

(10) **Patent No.:** **US D459,578 S**

(45) **Date of Patent:** **** Jul. 2, 2002**

(54) **COMBINED SUITCASE AND ATTACHE CASE**

(76) Inventor: **Hartmut Esslinger**, 15920 Rose Ave.,
Los Gatos, CA (US) 95030

(**) Term: **14 Years**

(21) Appl. No.: **29/141,876**

(22) Filed: **May 15, 2001**

(51) **LOC (7) Cl.** **03-01**

(52) **U.S. Cl.** **D3/274; D3/282; D3/900**

(58) **Field of Search** **D3/273, 274, 276,**
D3/281, 282, 283, 294, 295, 900; 190/100,
110, 109, 111, 112, 113, 900

(56) **References Cited**

U.S. PATENT DOCUMENTS

| | | | | | |
|-------------|---|---------|-----------------|-------|---------|
| D249,825 S | * | 10/1978 | Hasulak | | D3/282 |
| D278,861 S | * | 5/1985 | Hasuike | | D3/292 |
| D306,936 S | * | 4/1990 | McMillan et al. | | D3/283 |
| D314,669 S | * | 2/1991 | Kunimune | | D3/282 |
| D328,672 S | * | 8/1992 | van de Meene | | D3/278 |
| 6,012,557 A | * | 1/2000 | Derelanko | | 190/102 |

* cited by examiner

Primary Examiner—Philip S. Hyder
(74) *Attorney, Agent, or Firm*—Hahn, Loeser & Parks LLP;
Alexander D. Bommarito, Esq.

(57) **CLAIM**

The ornamental design for the combined suitcase and attache case, as shown and described.

DESCRIPTION

FIG. 1 is a perspective view taken from the back;
FIG. 2 is a perspective view taken from the front with the attache case inserted;
FIG. 3 is a perspective view taken from the front with the attache case removed;
FIG. 4 is a top view;
FIG. 5 is a left side view;
FIG. 6 is a front view;
FIG. 7 is a right side view;
FIG. 8 is a bottom view; and,
FIG. 9 is a back view.

1 Claim, 2 Drawing Sheets

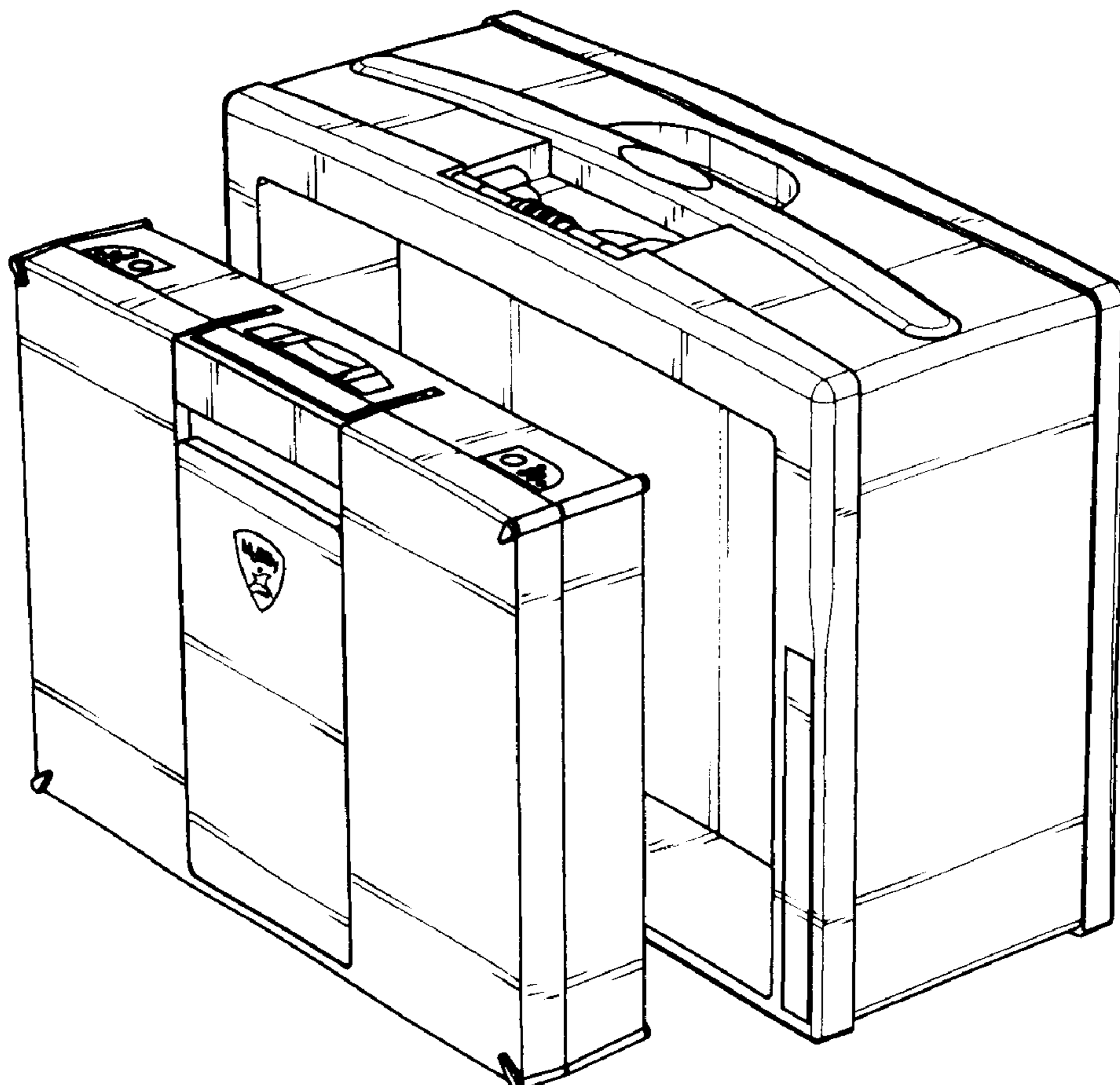


FIG. 3

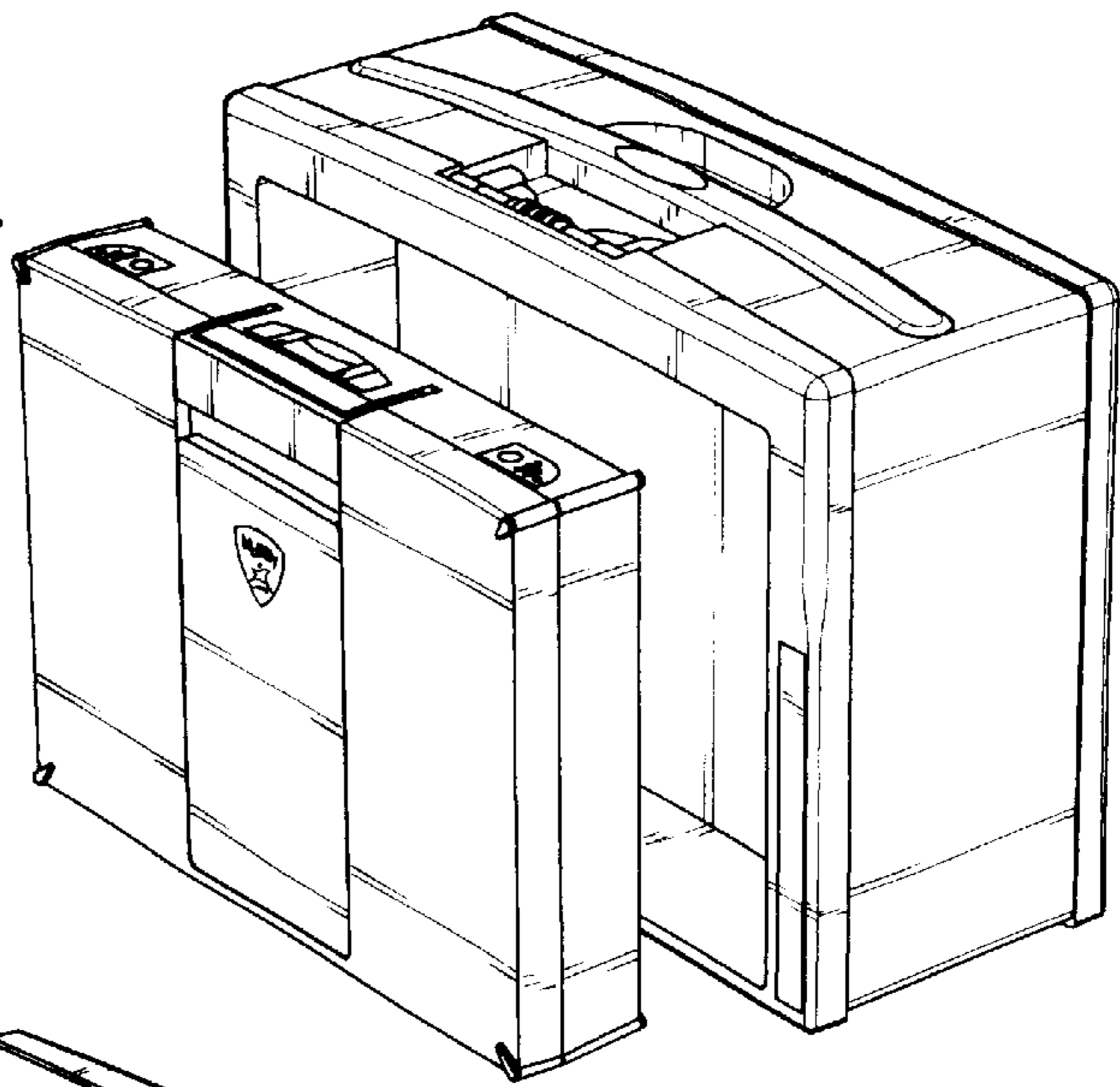


FIG. 2

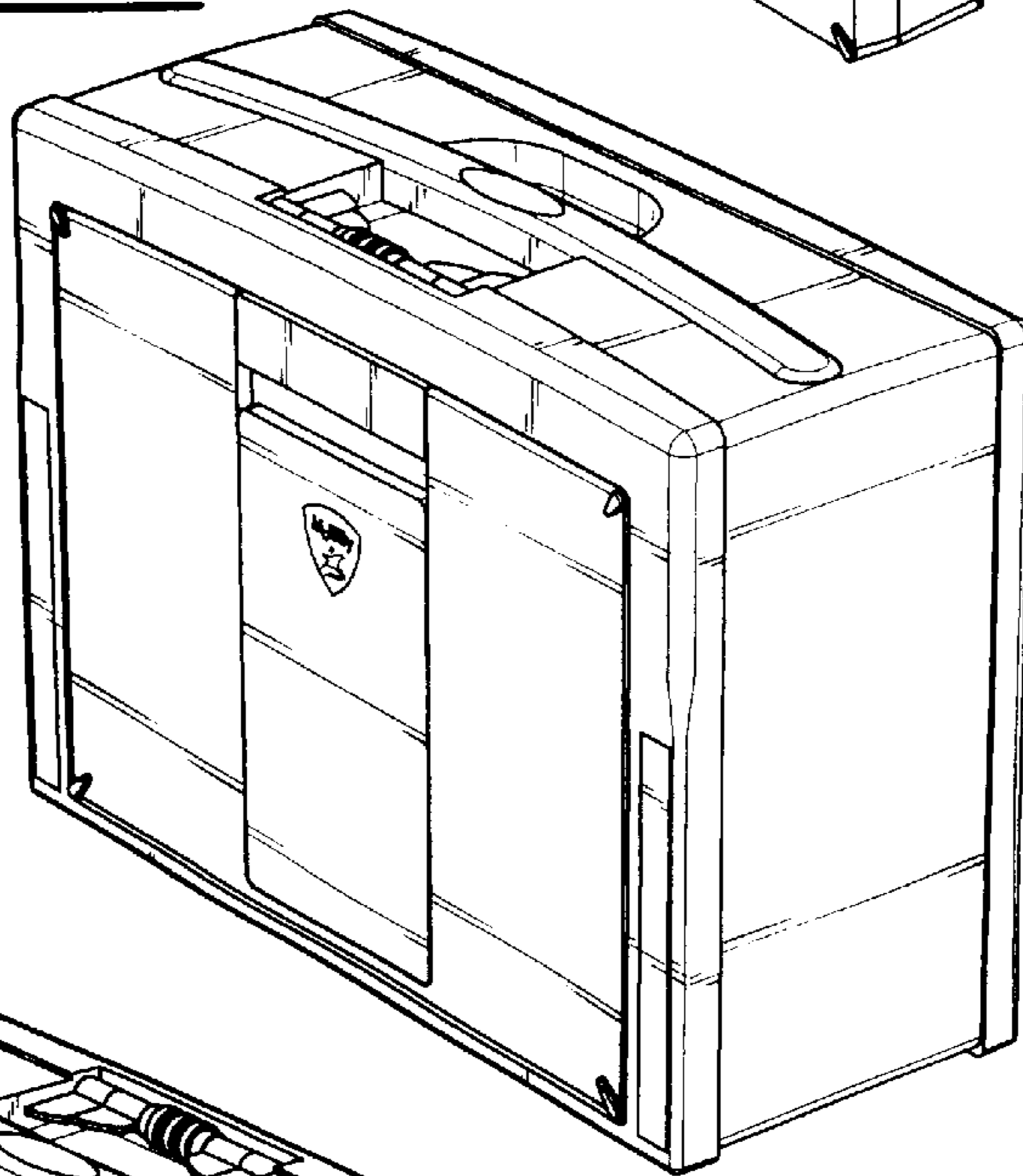
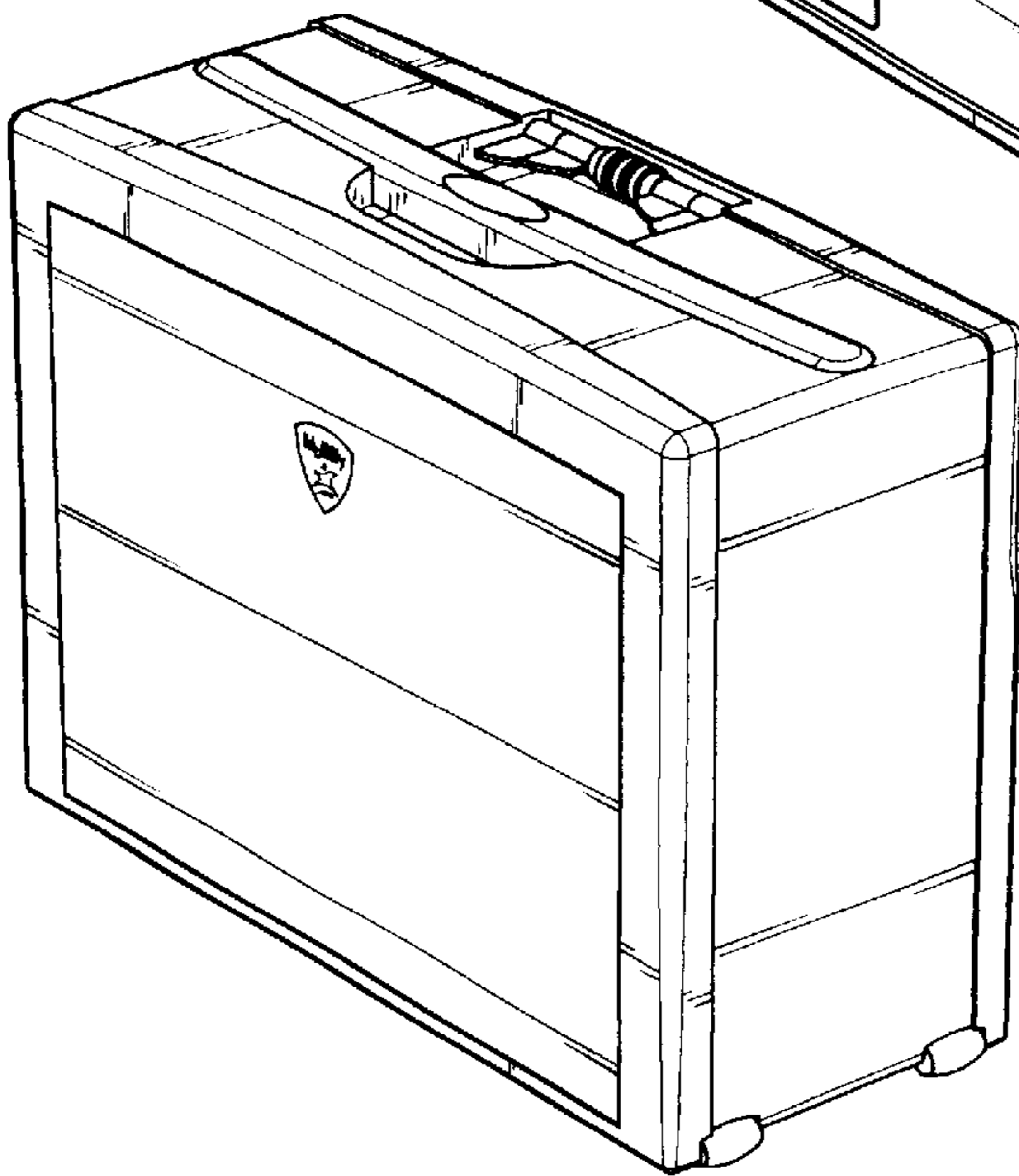


FIG. 1



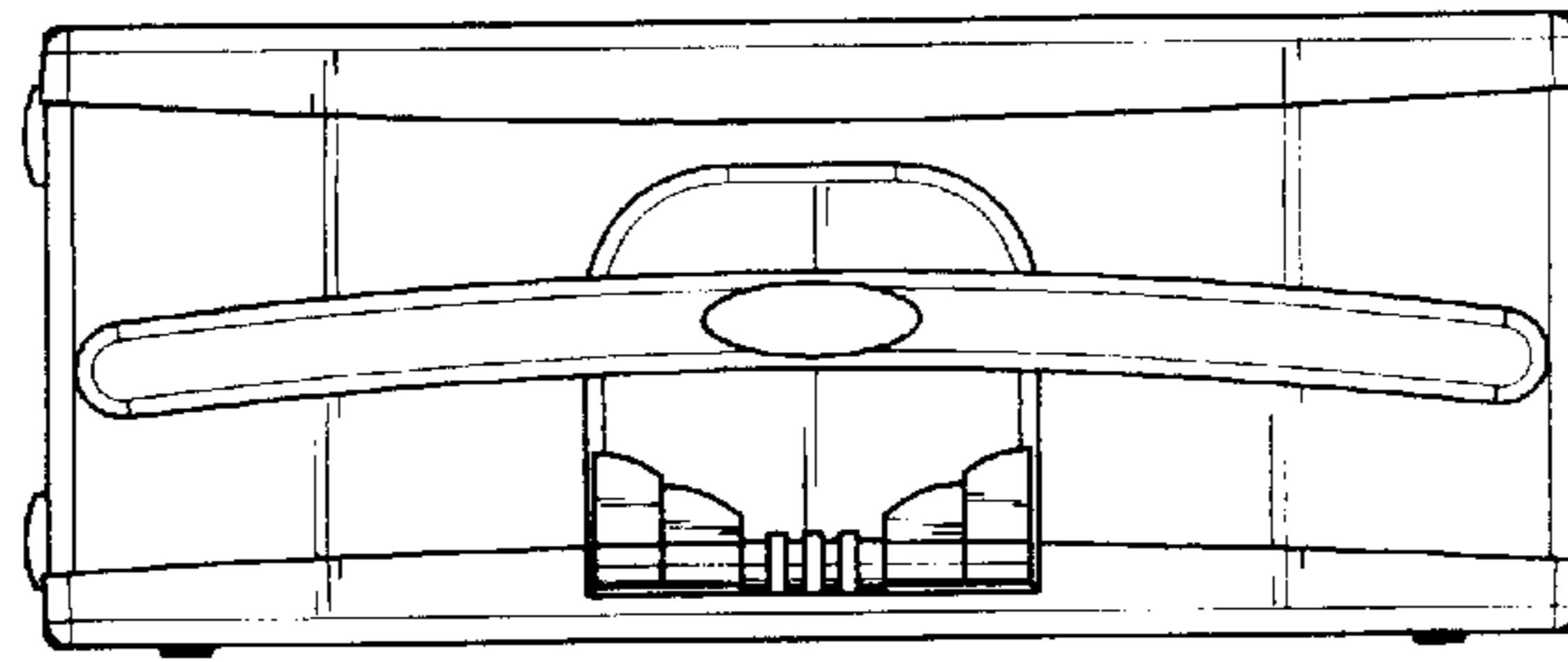


FIG. 4

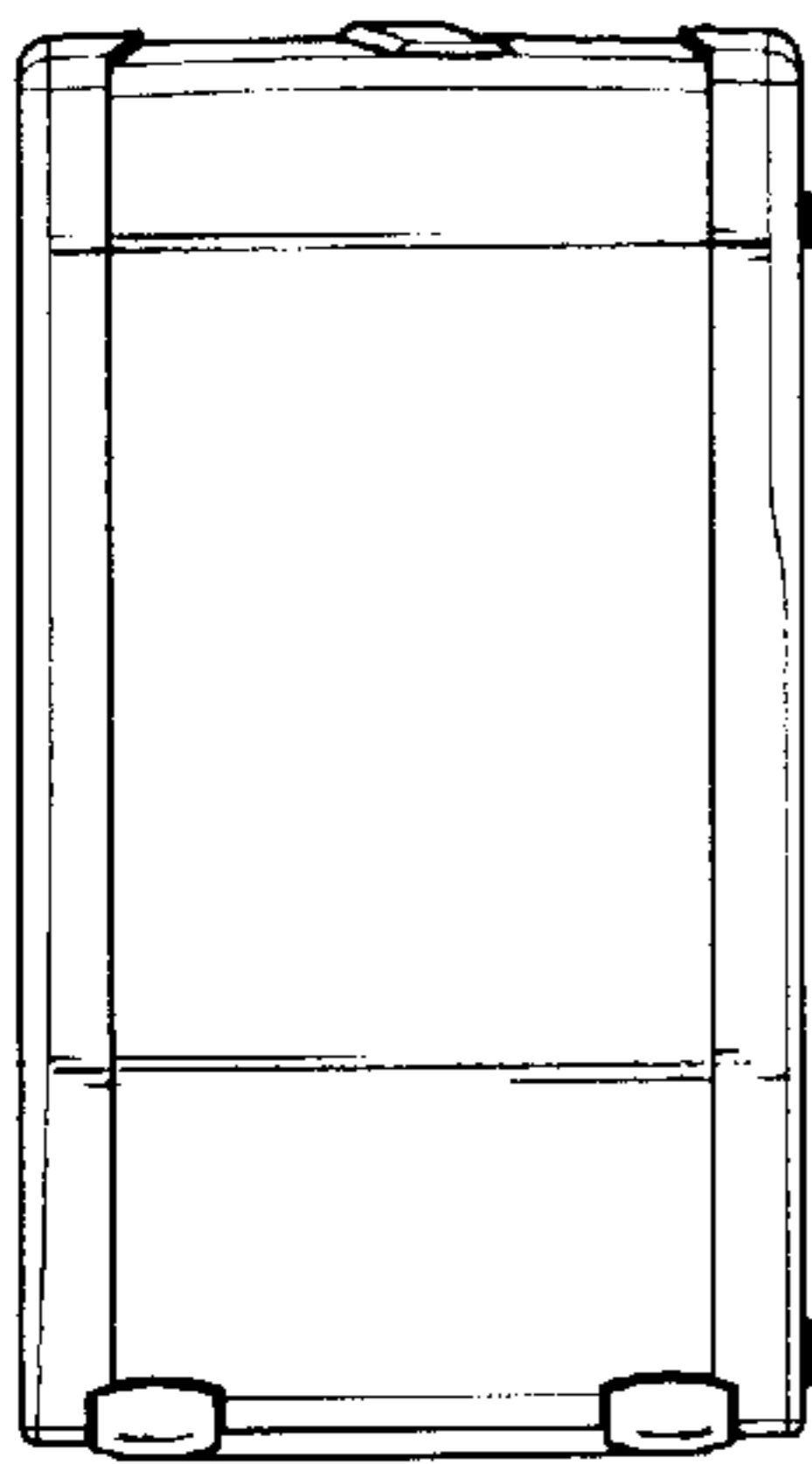


FIG. 5

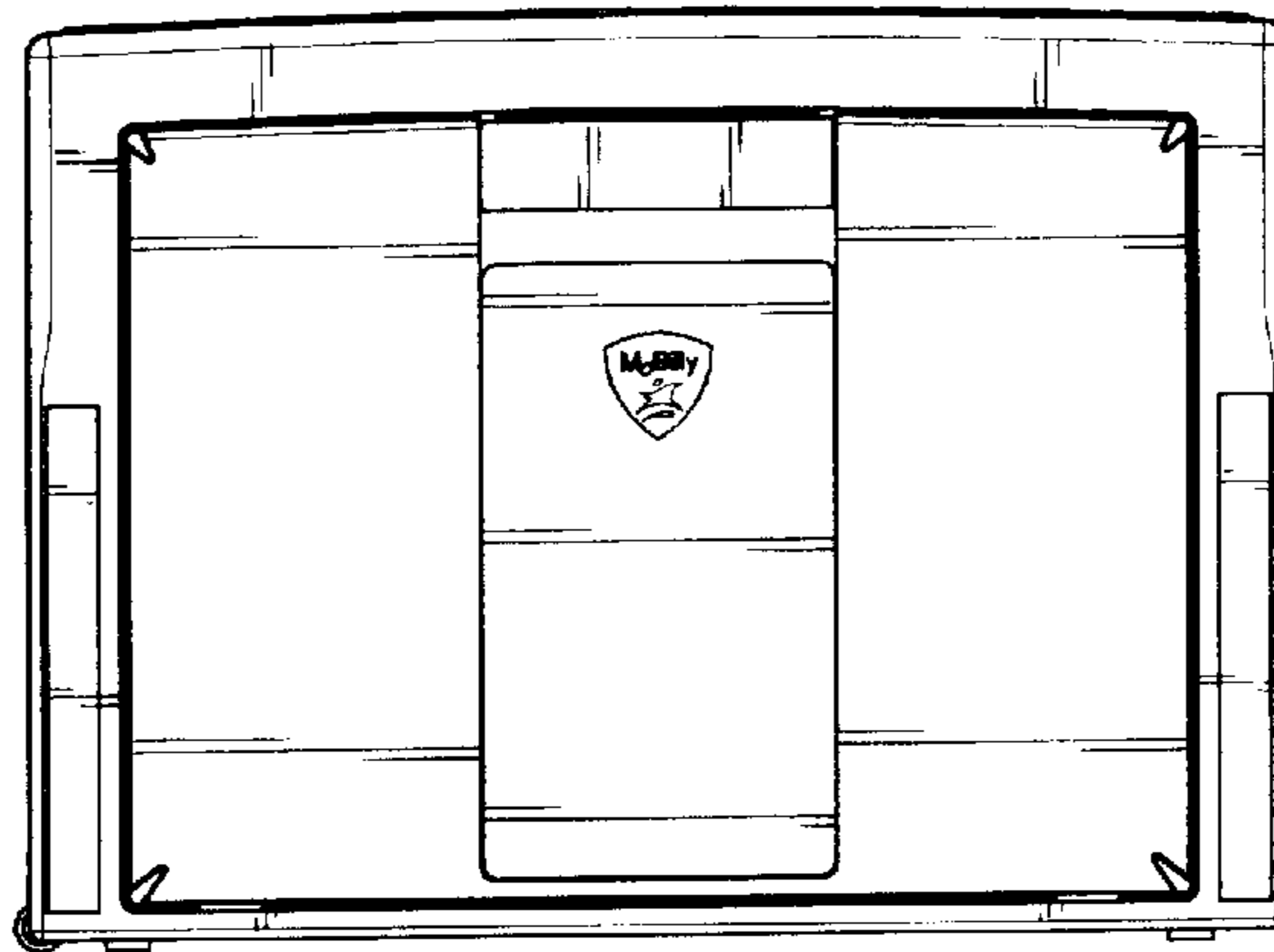


FIG. 6

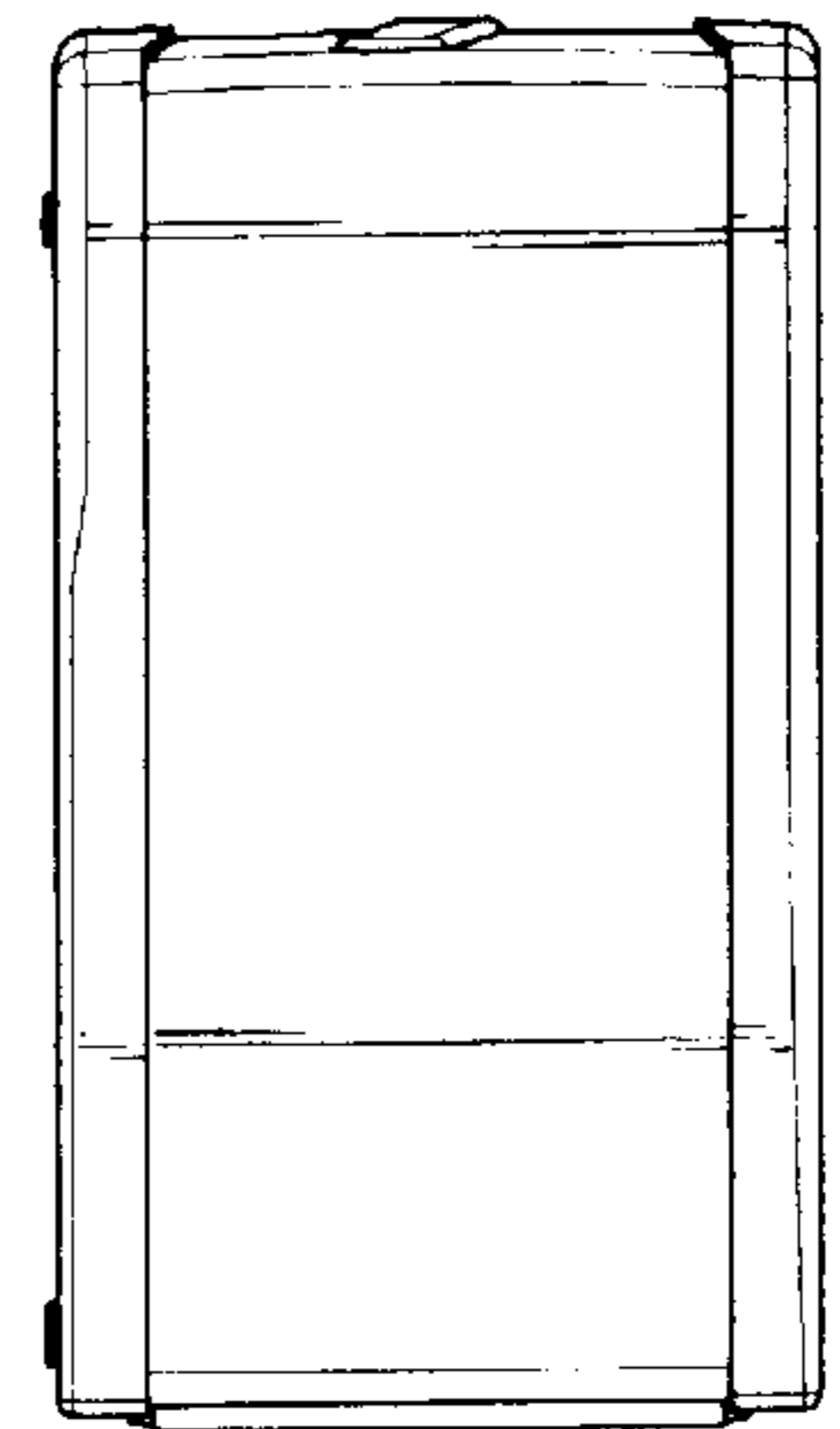


FIG. 7

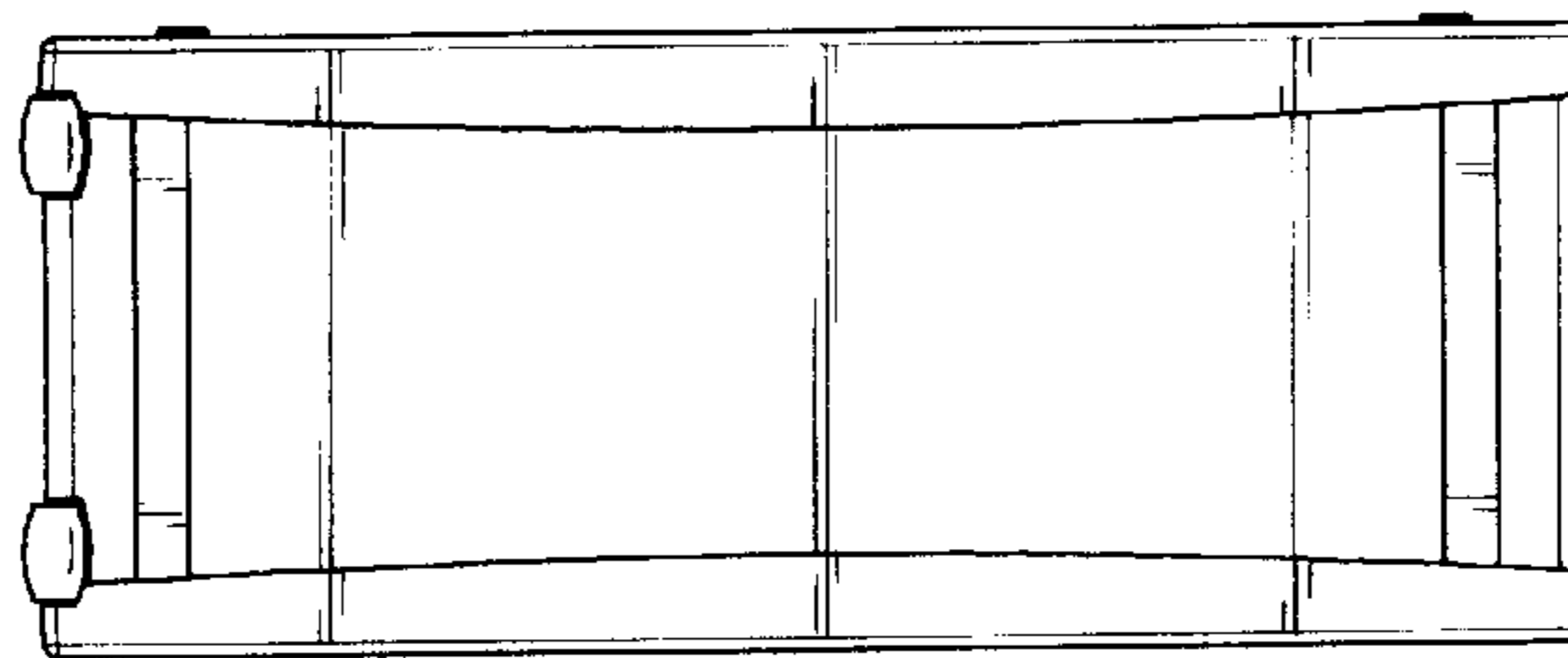


FIG. 8

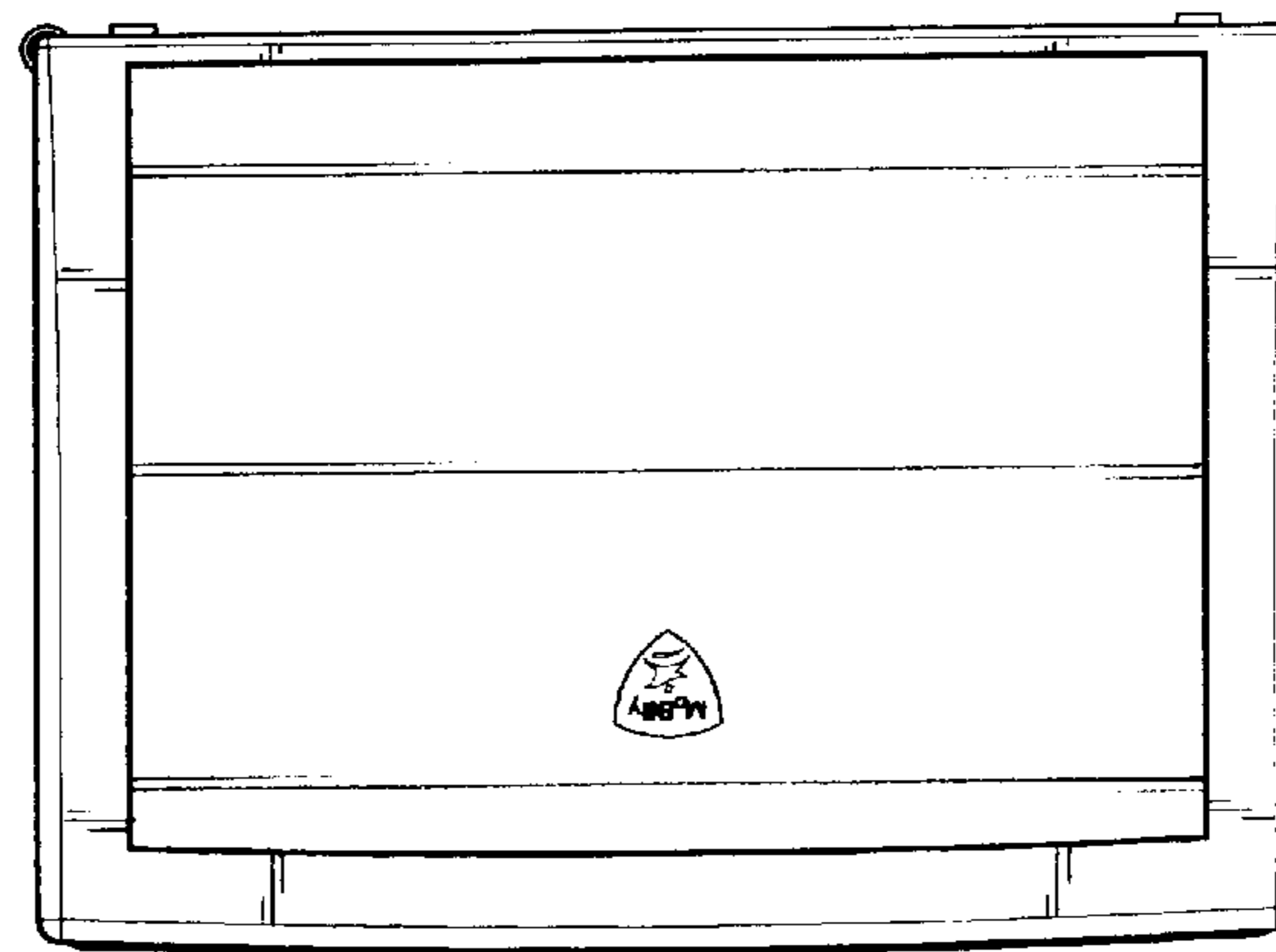


FIG. 9