



US00D459571S

(12) **United States Design Patent**
Borland et al.

(10) **Patent No.:** **US D459,571 S**

(45) **Date of Patent:** **** Jul. 2, 2002**

(54) **PET FOOD TREAT**

(75) Inventors: **Maureen Borland**, LaCanada; **Diane Fritts**, LaCrescenta; **Gene Moran**, Sierra Madre, all of CA (US); **Dan Dixon**, Saint Joseph, MO (US); **Pete Pipes**, Fort Atkinson, WI (US)

(73) Assignee: **Nestec, S.A.**, Vevey (CH)

(**) Term: **14 Years**

(21) Appl. No.: **29/146,954**

(22) Filed: **Aug. 20, 2001**

(51) **LOC (7) Cl.** **01-01**

(52) **U.S. Cl.** **D1/199**

(58) **Field of Search** D1/100-199; 426/94, 426/104, 144, 549, 660, 574, 623, 624, 635, 641, 383, 805, 807; 424/438-442

(56) **References Cited**

U.S. PATENT DOCUMENTS

D82,526 S	*	11/1930	Siciliani	D1/122
D167,479 S	*	8/1952	Peters	D1/199
D347,308 S	*	5/1994	Lundberg	D1/129
D444,615 S	*	7/2001	Borland et al.	D1/199

OTHER PUBLICATIONS

Sally Foster® geoffrey b. chocolatier Fall 1997 catalog, Deluxe Assorted Miniature Cocolates product No. F120 on p. 6.*

* cited by examiner

Primary Examiner—Alan P. Douglas

Assistant Examiner—Linda Brooks

(74) *Attorney, Agent, or Firm*—Sheldon & Mak; Denton L. Anderson

(57) **CLAIM**

The ornamental design for a pet food treat, as shown and described.

DESCRIPTION

FIG. 1 is a perspective view of the pet food treat showing our new design;

FIG. 2 is a top plan view thereof;

FIG. 3 is a front view of FIG. 2 thereof;

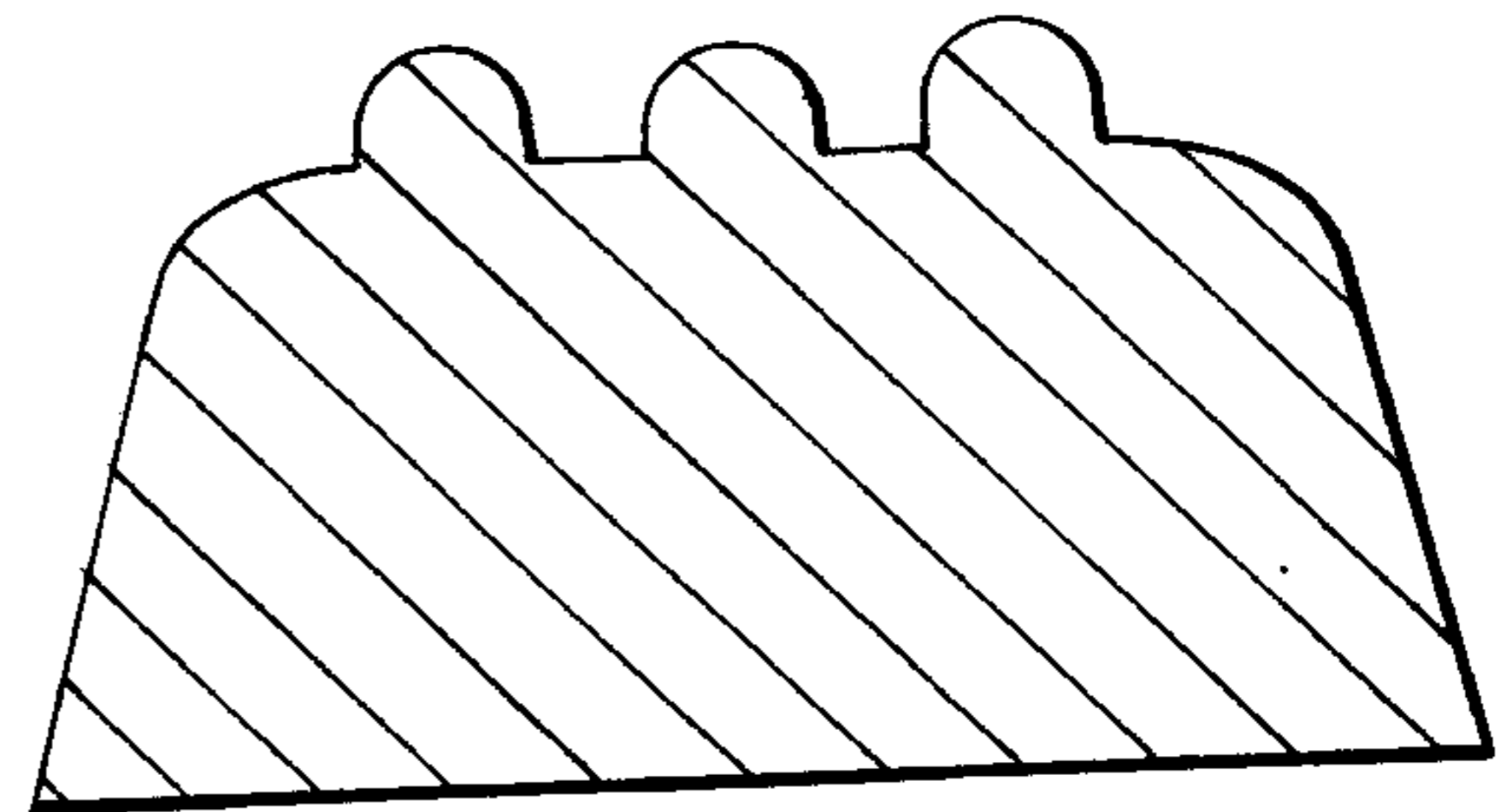
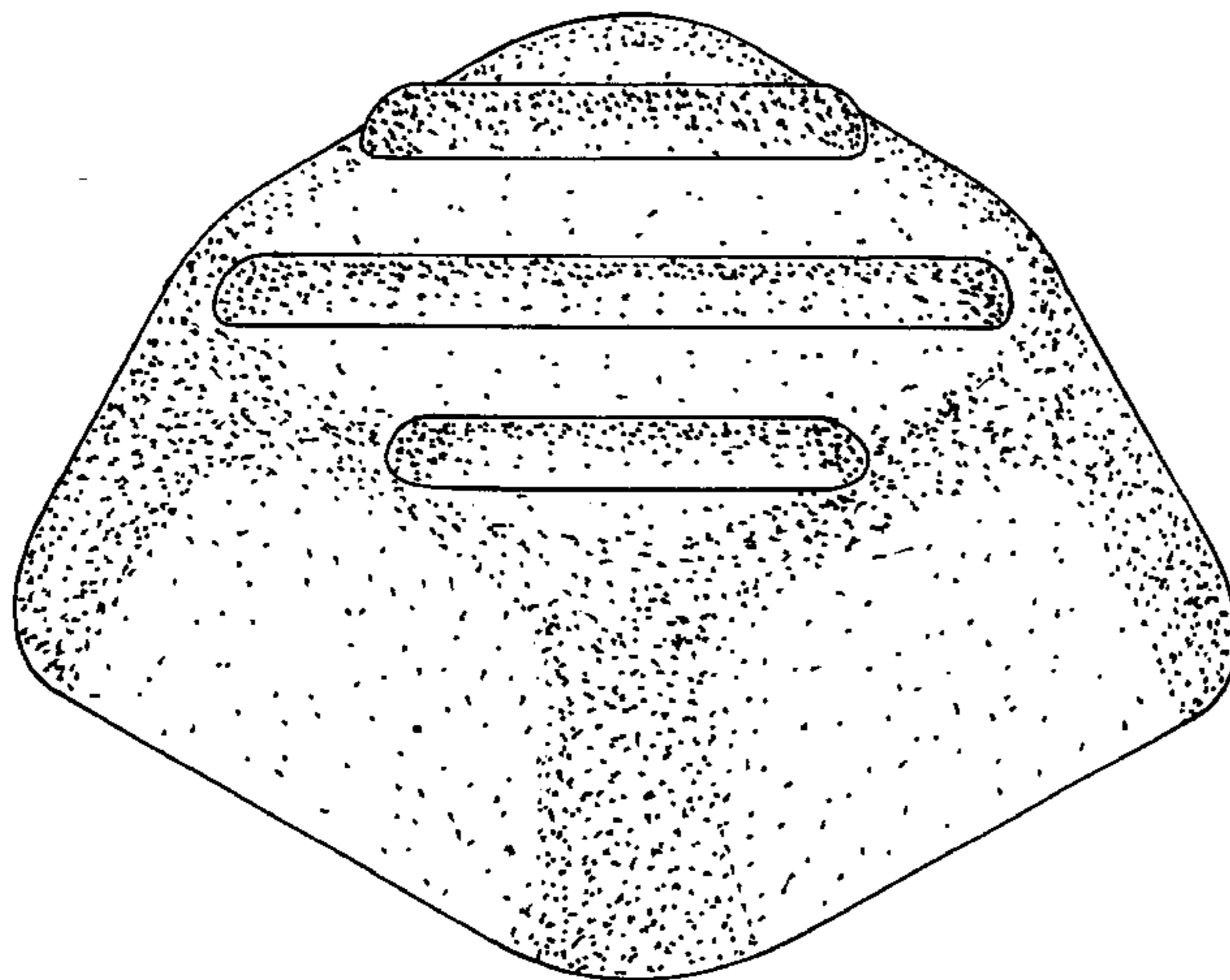
FIG. 4 is a view from the front left corner of FIG. 2;

FIG. 5 is a view from the front right corner of FIG. 2;

FIG. 6 is a bottom view thereof; and,

FIG. 7 is a section taken on the line 7—7 of FIG. 2.

1 Claim, 3 Drawing Sheets



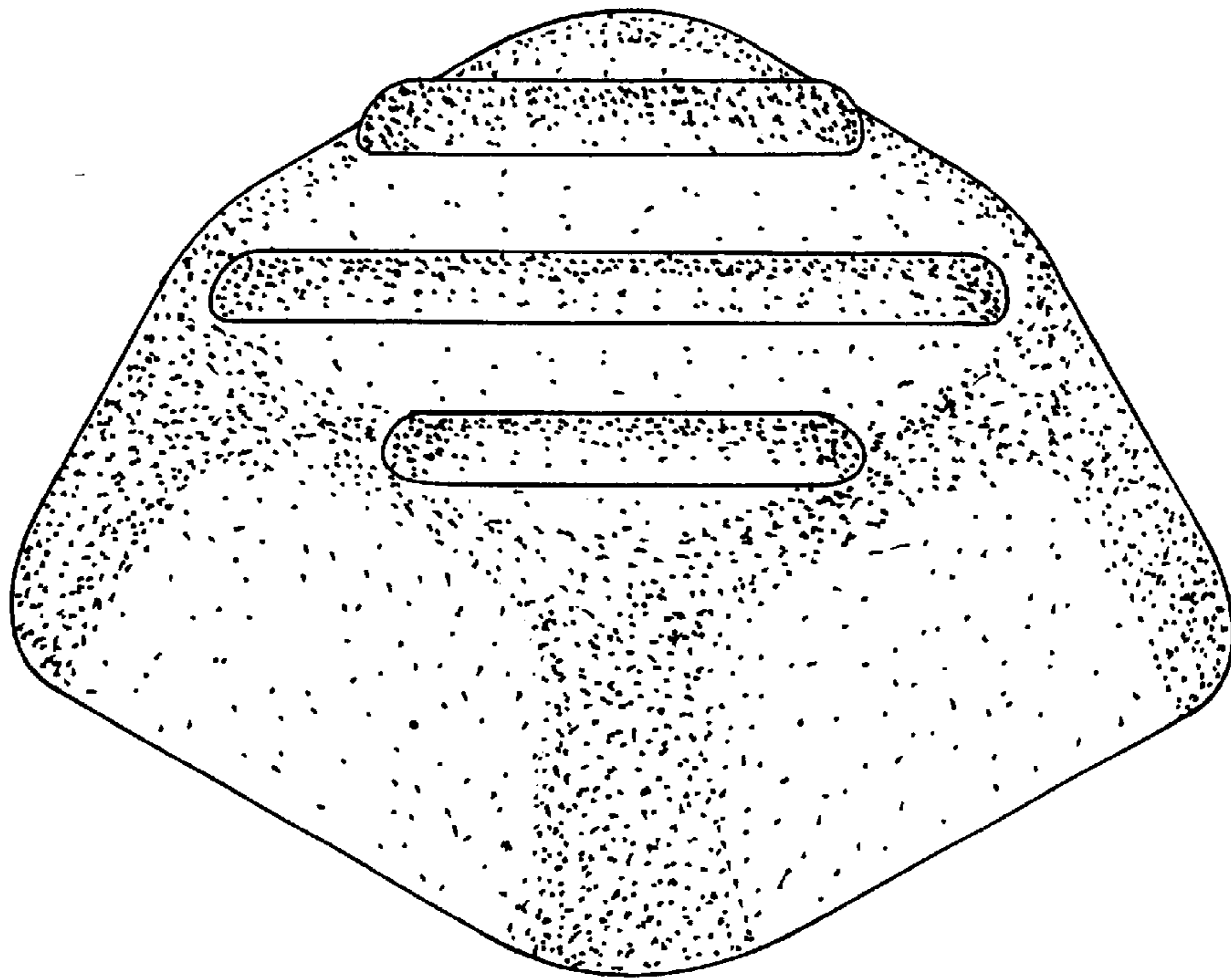


Fig. 1

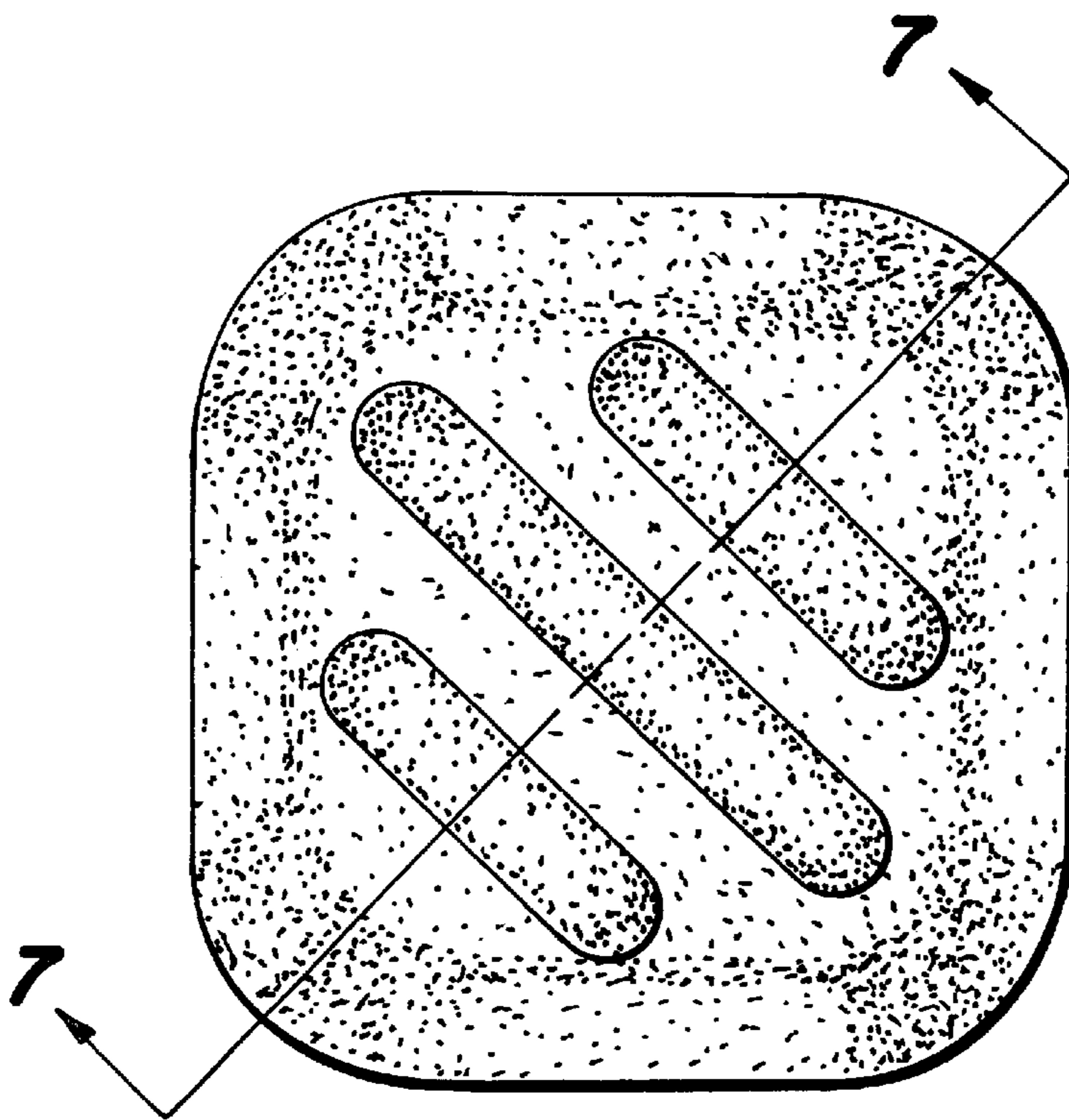


Fig. 2

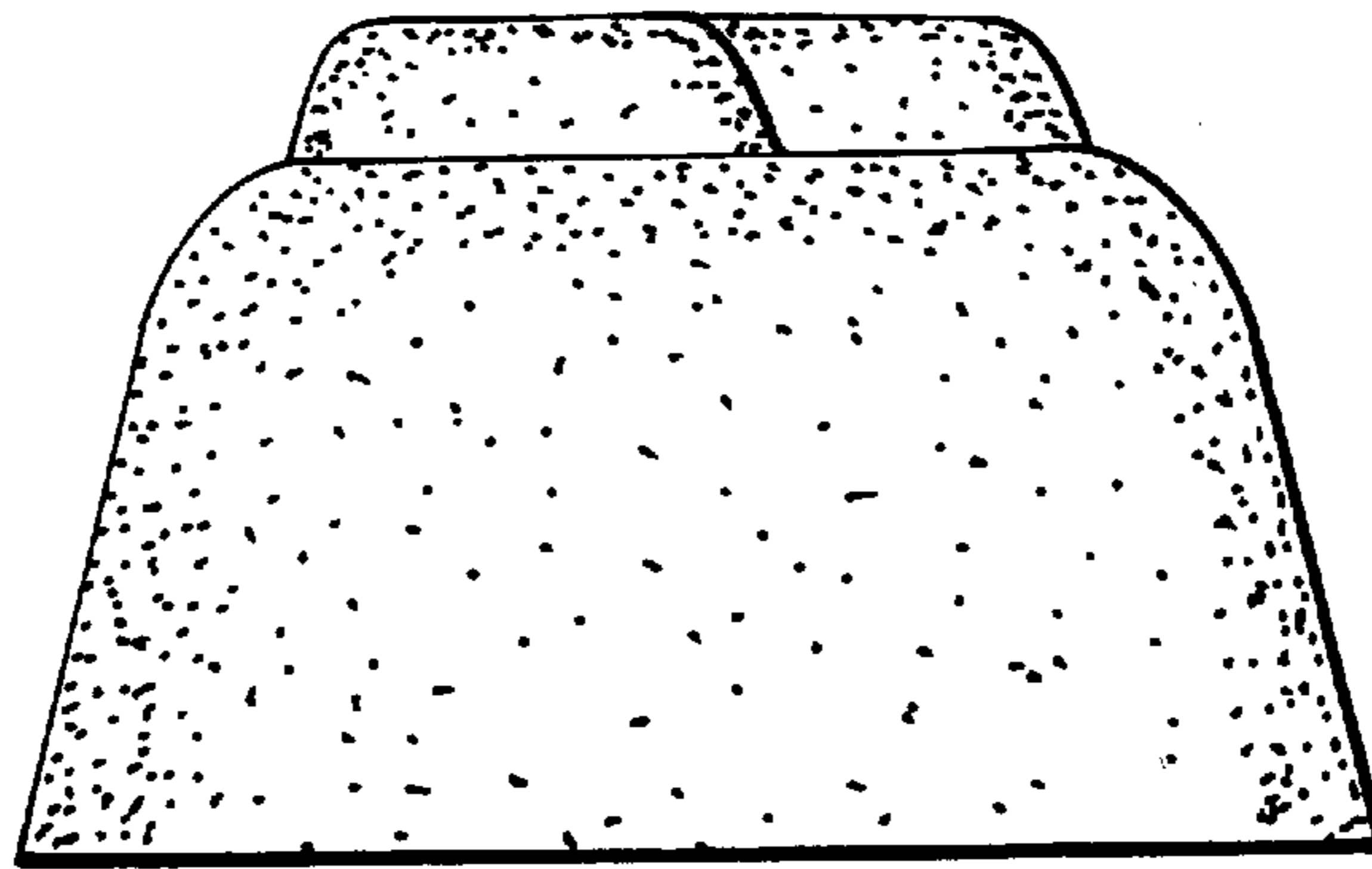


Fig. 3

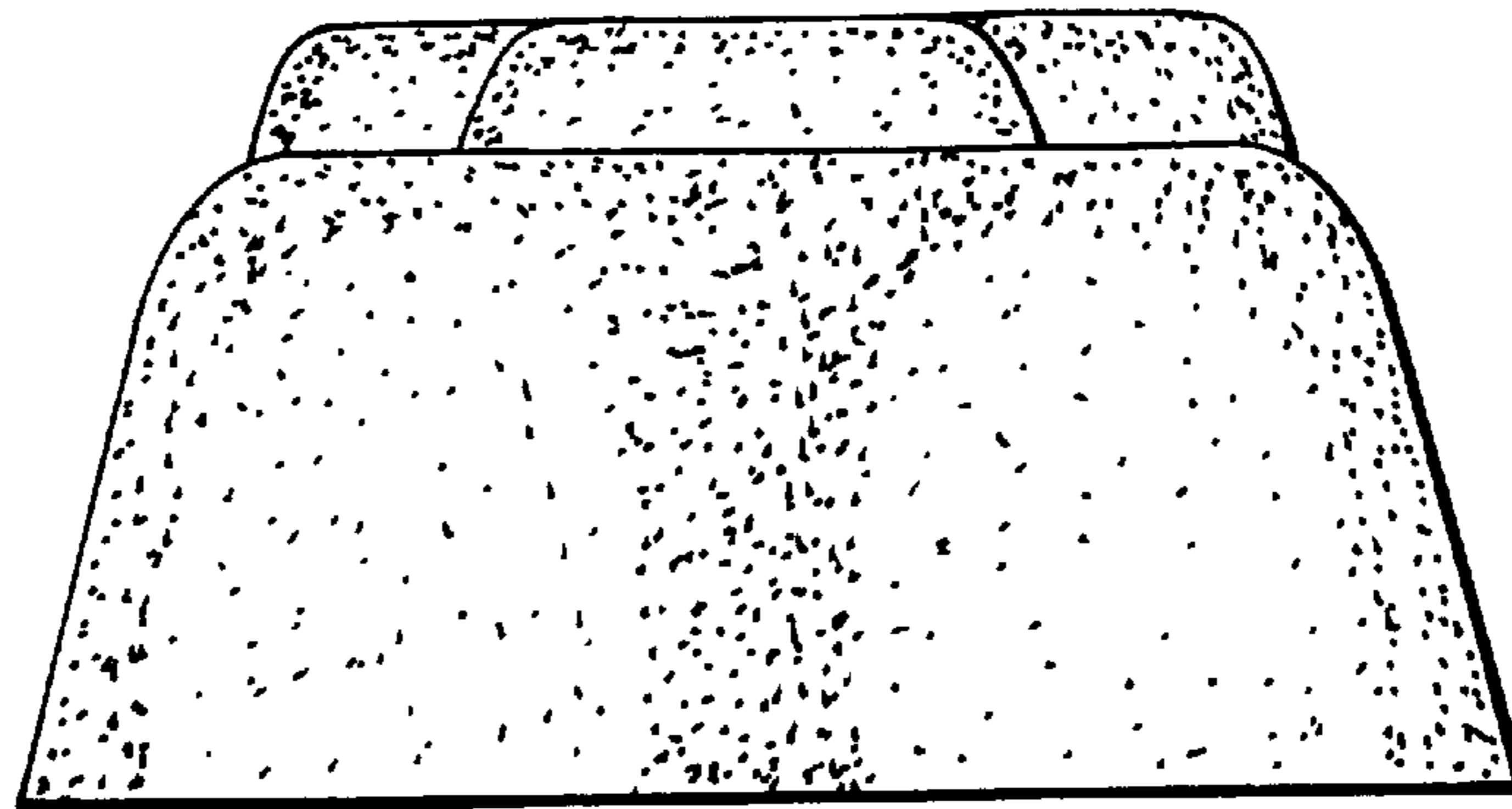


Fig. 4

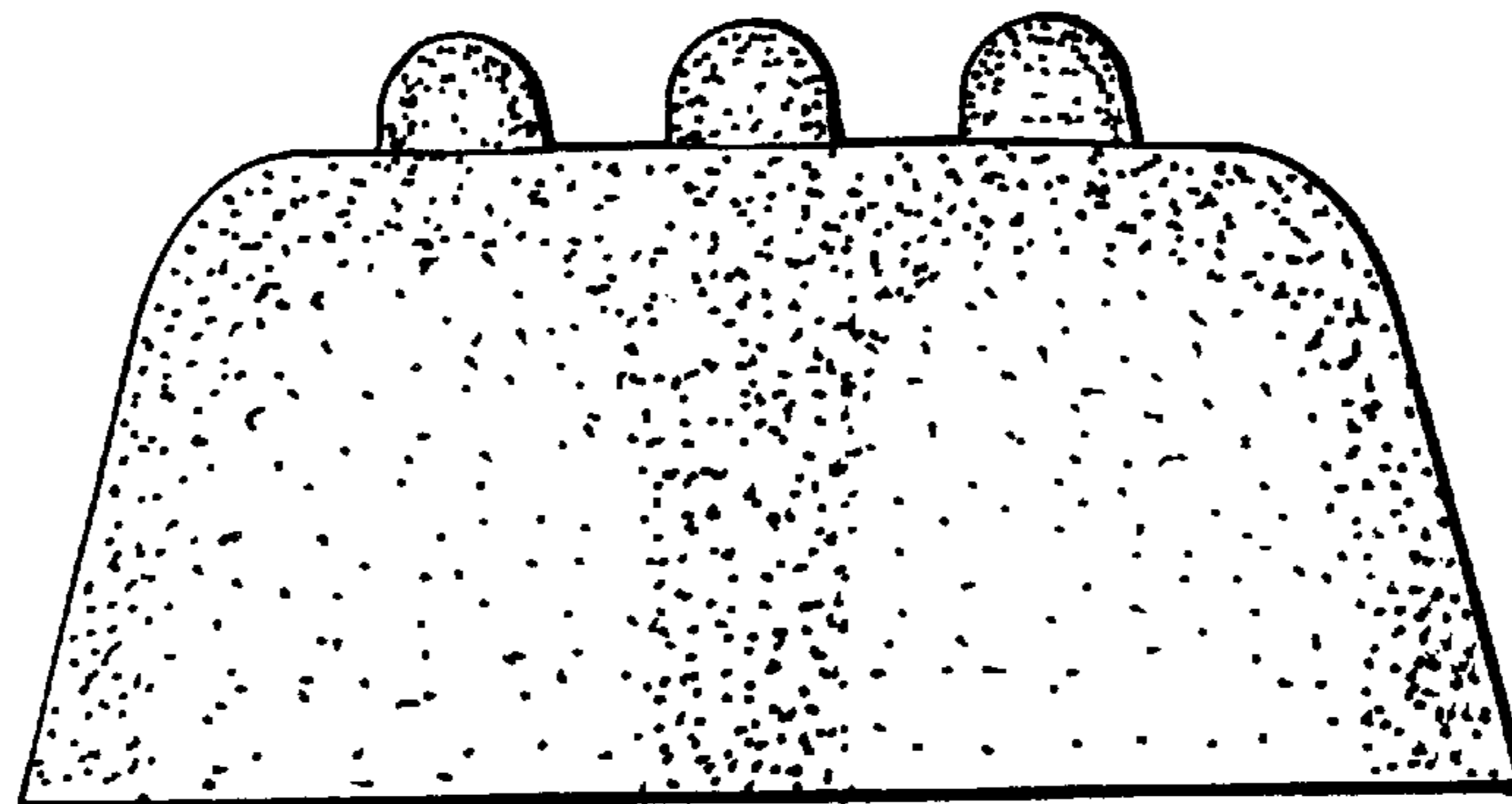


Fig. 5

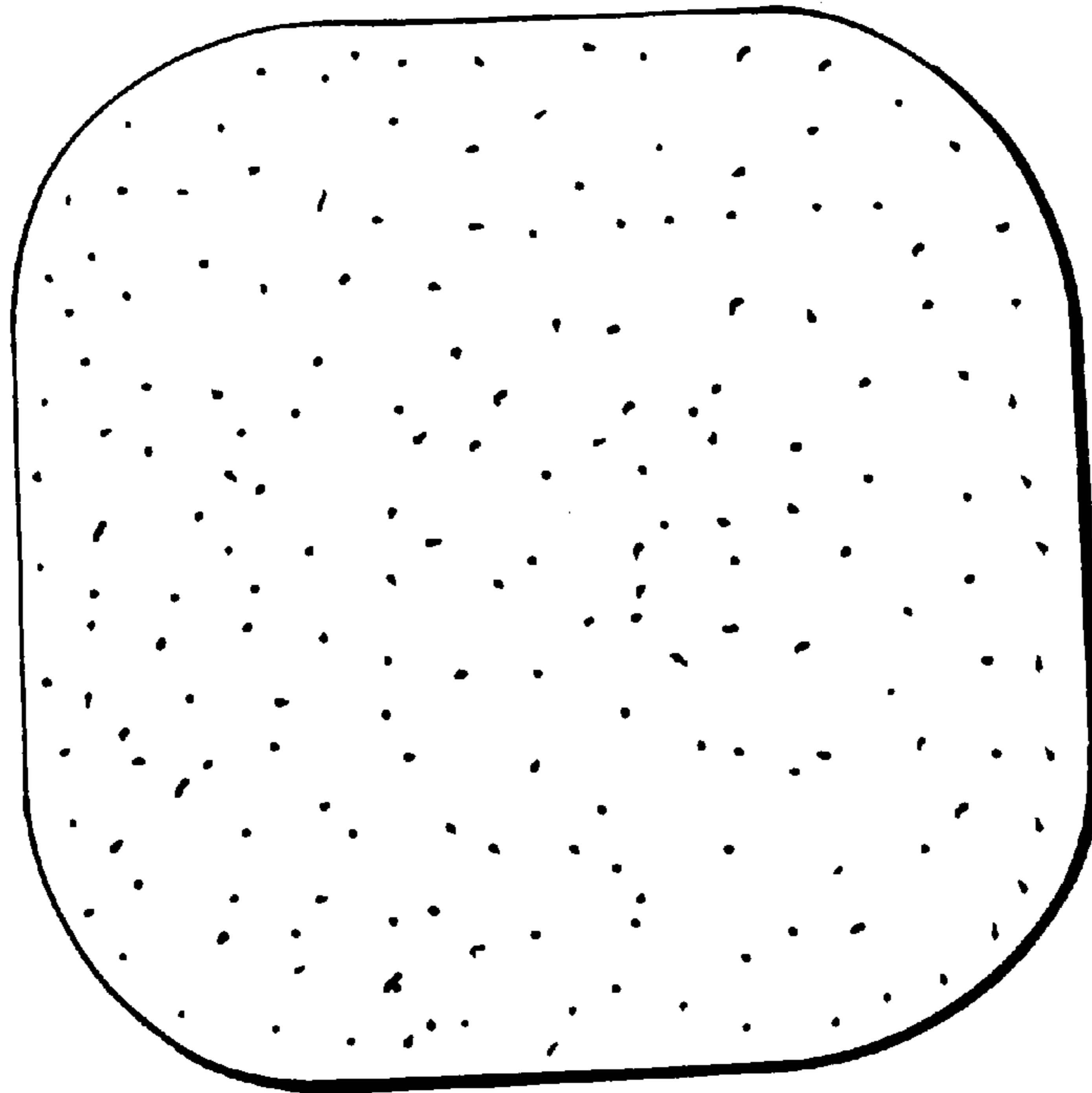


Fig. 6

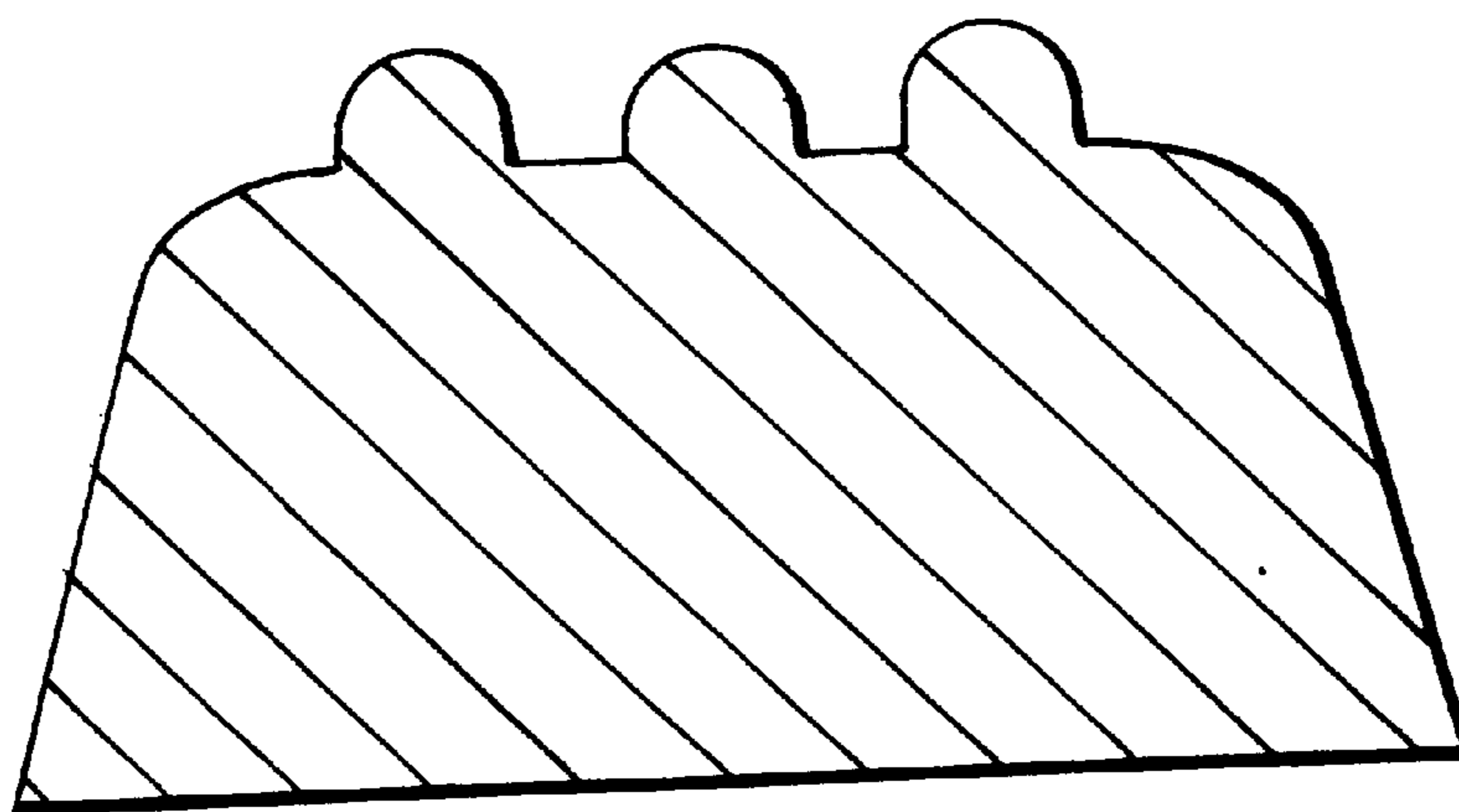


Fig. 7