



US00D459568S

(12) **United States Design Patent**
Glenn

(10) **Patent No.:** **US D459,568 S**

(45) **Date of Patent:** **** Jun. 25, 2002**

(54) **CABOOSE MAIL BOX**

(76) **Inventor:** **James E. Glenn**, 3355 Kinsey Rd.,
Dothan, AL (US) 36303

(**) **Term:** **14 Years**

(21) **Appl. No.:** **29/154,784**

(22) **Filed:** **Jan. 30, 2002**

(51) **LOC (7) Cl.** **99-00**

(52) **U.S. Cl.** **D99/30**

(58) **Field of Search** D99/29, 30, 37,
D99/42; 232/19, 17, 20, 27, 39; D21/540,
541; 446/476, 478, 467

(56) **References Cited**

U.S. PATENT DOCUMENTS

D351,447 S * 10/1994 Barnes D21/541

OTHER PUBLICATIONS

American Way, Mailboxes USA, p. 64, Jul. 1, 1997.*

* cited by examiner

Primary Examiner—Paula A. Mortimer

(57) **CLAIM**

The ornamental design for a caboose mail box, as shown and described.

DESCRIPTION

FIG. 1 is an upper perspective view of a caboose mail box showing my new design.

FIG. 2 is a right side view of a caboose mail box showing my new design.

FIG. 3 is a front view of a caboose mail box showing my new design.

FIG. 4 is a rear view of a caboose mail box showing my new design.

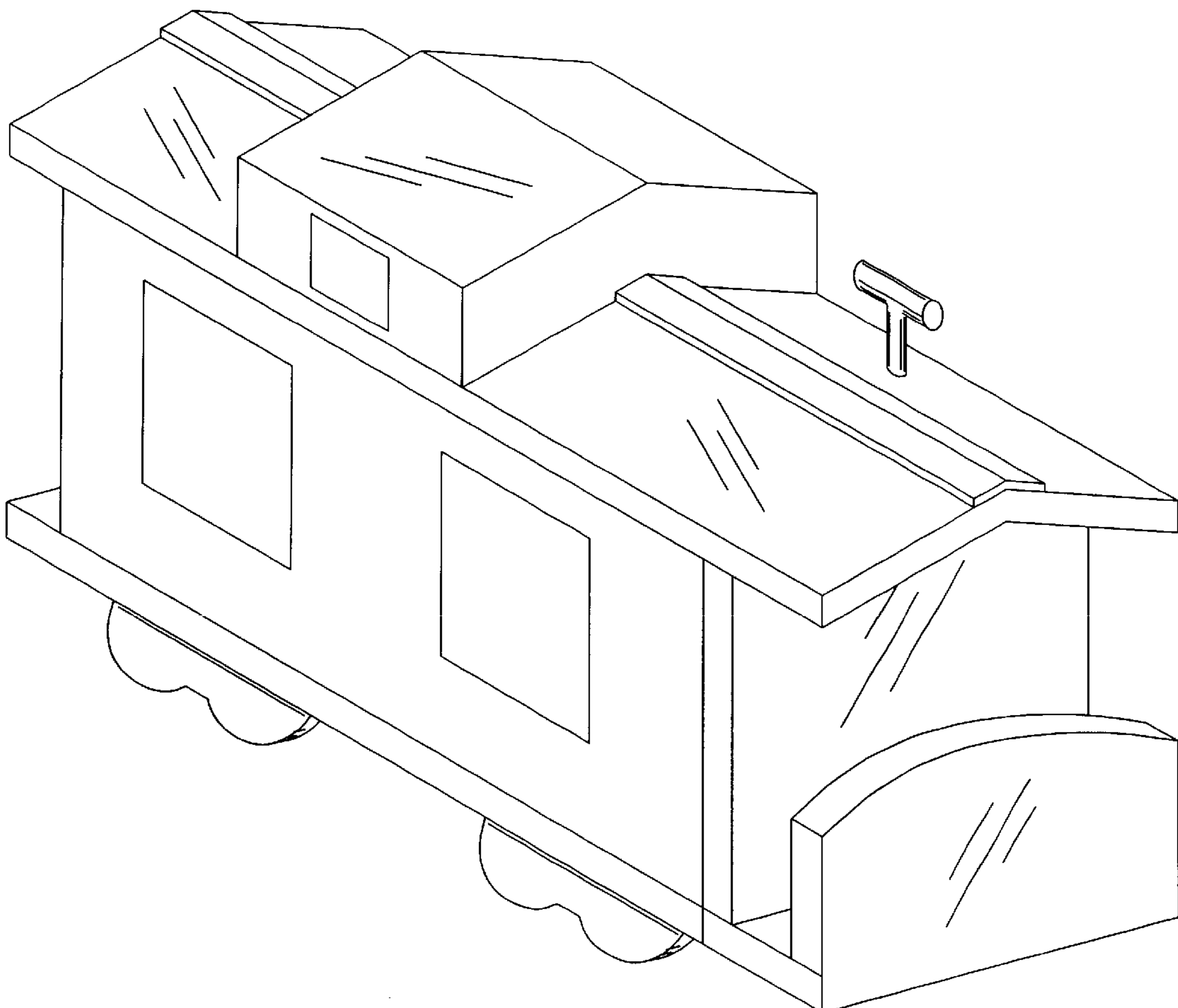
FIG. 5 is a top view of a caboose mail box showing my new design.

FIG. 6 is a bottom view of a caboose mail box showing my new design; and

FIG. 7 is a left side view of the caboose mail box showing my new design.

Any shading and cross-hatching are not features of the design but are utilized to illustrate the surface contours of the caboose mail box in the drawings.

1 Claim, 7 Drawing Sheets



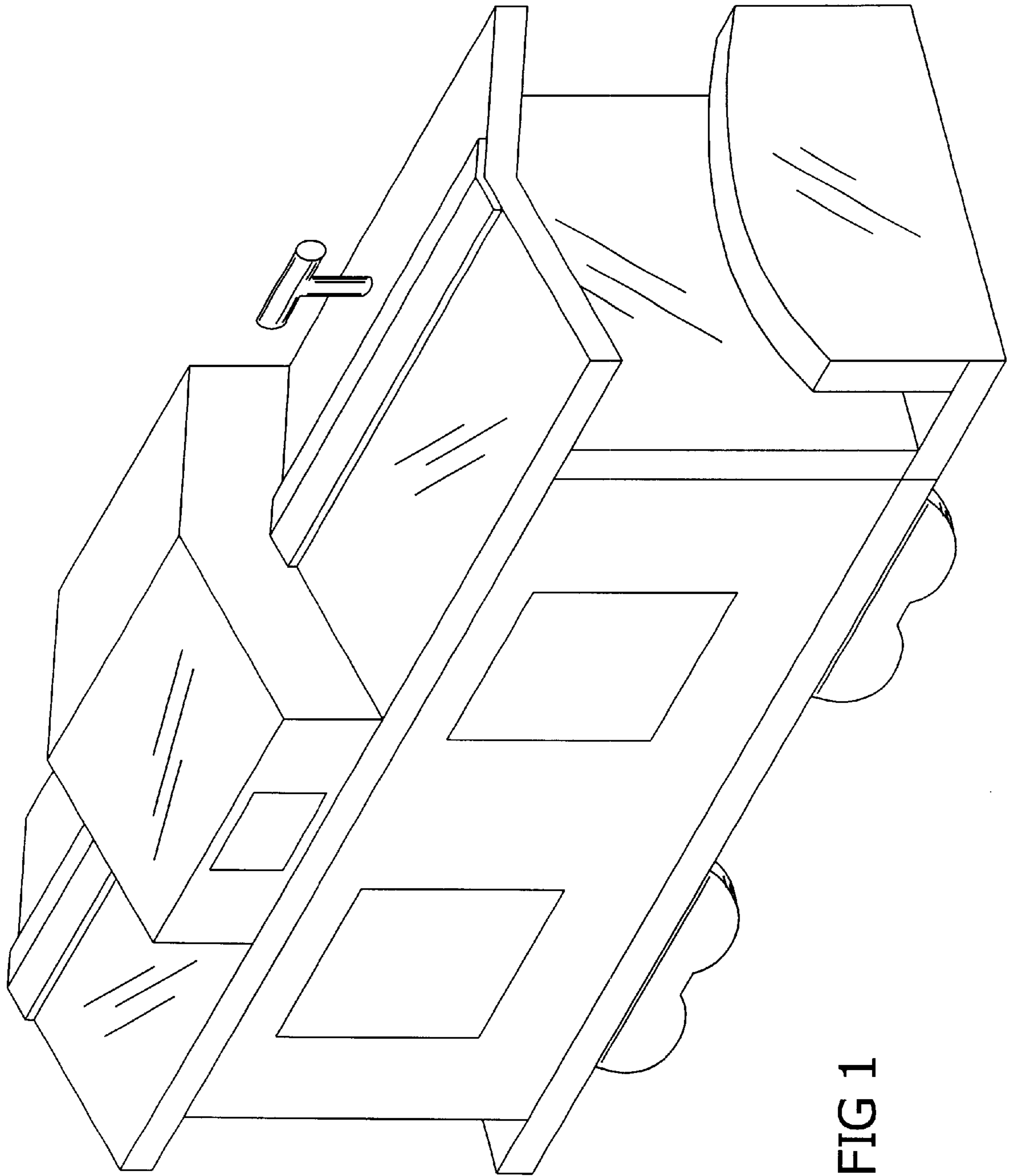


FIG 1

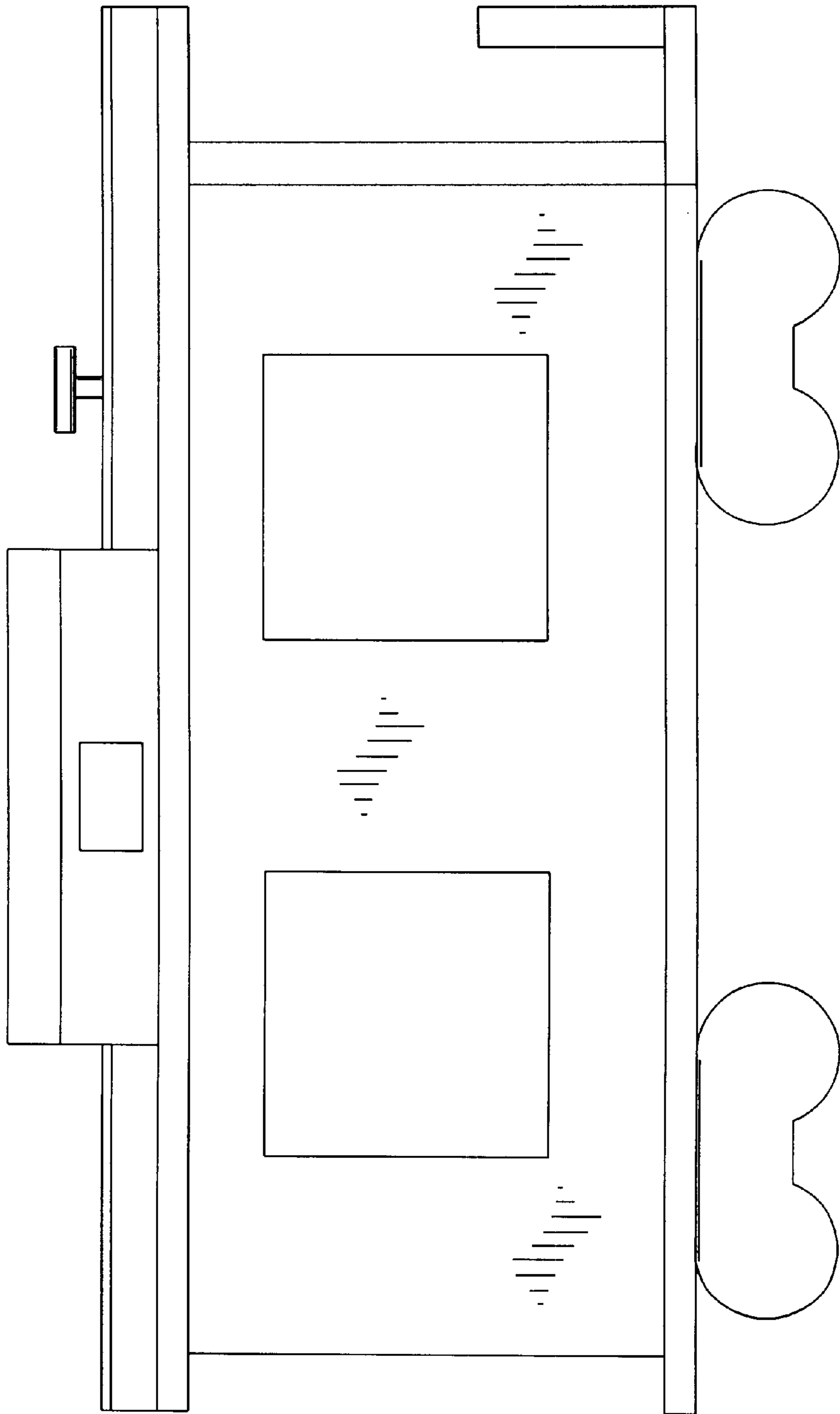


FIG 2

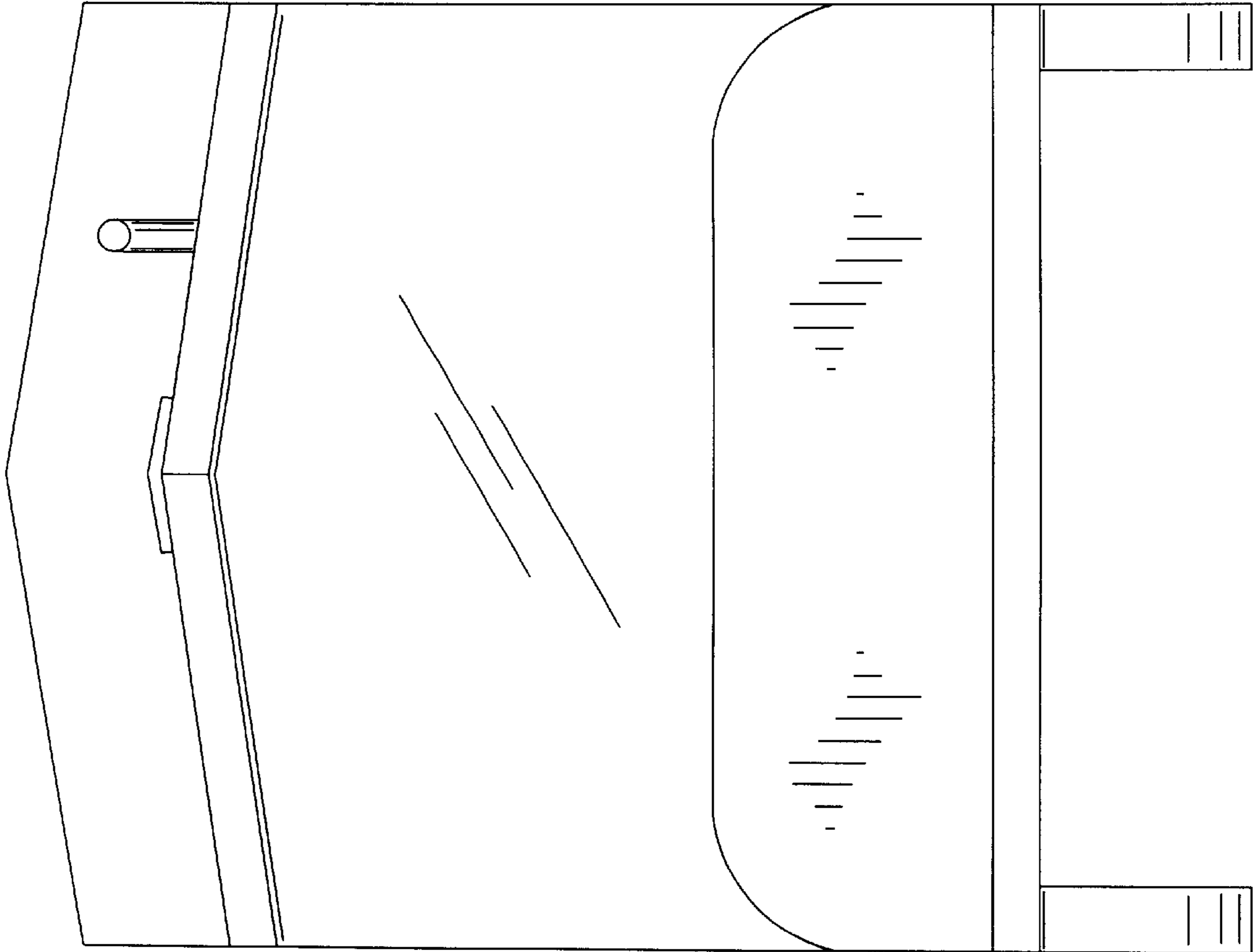


FIG 3

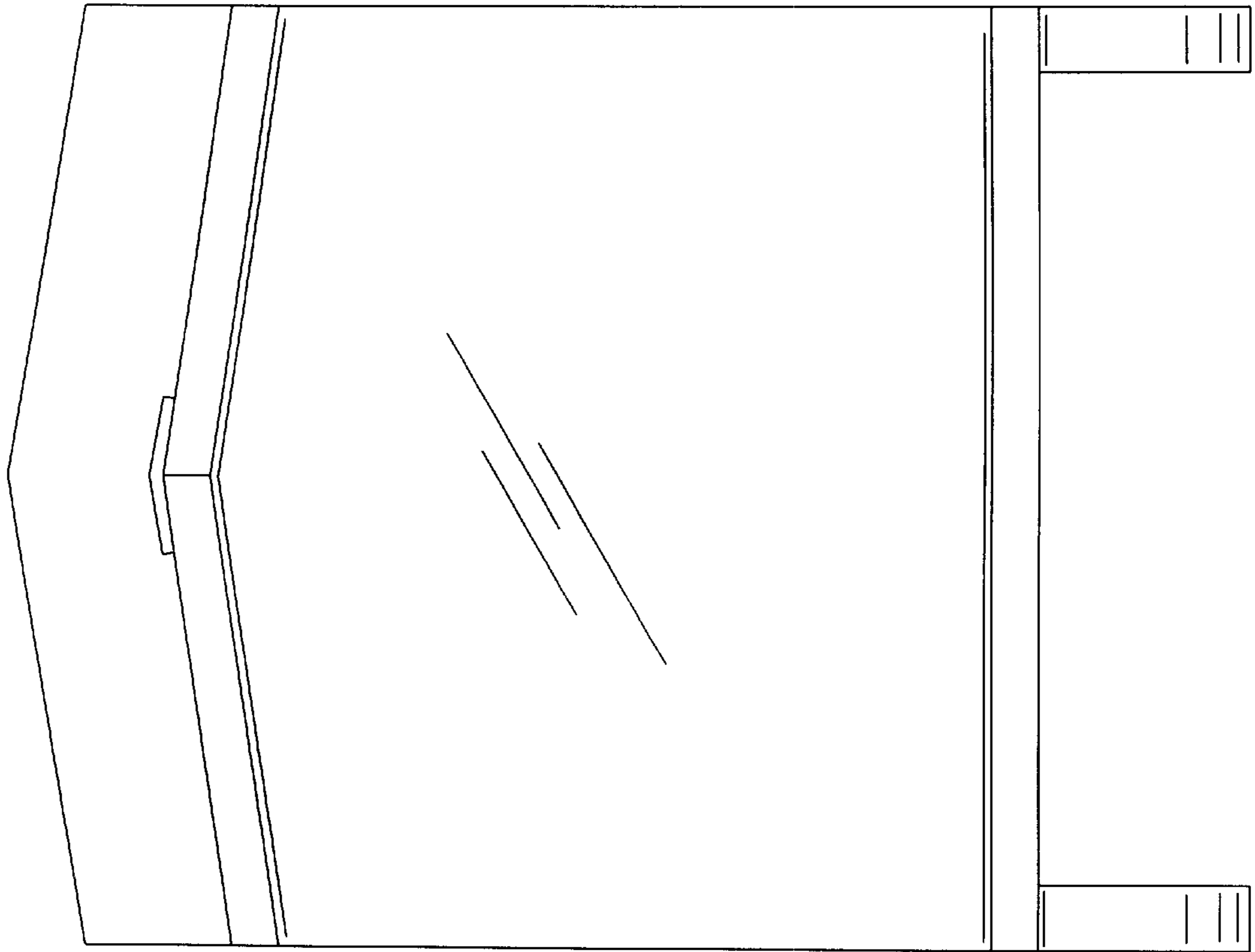


FIG 4

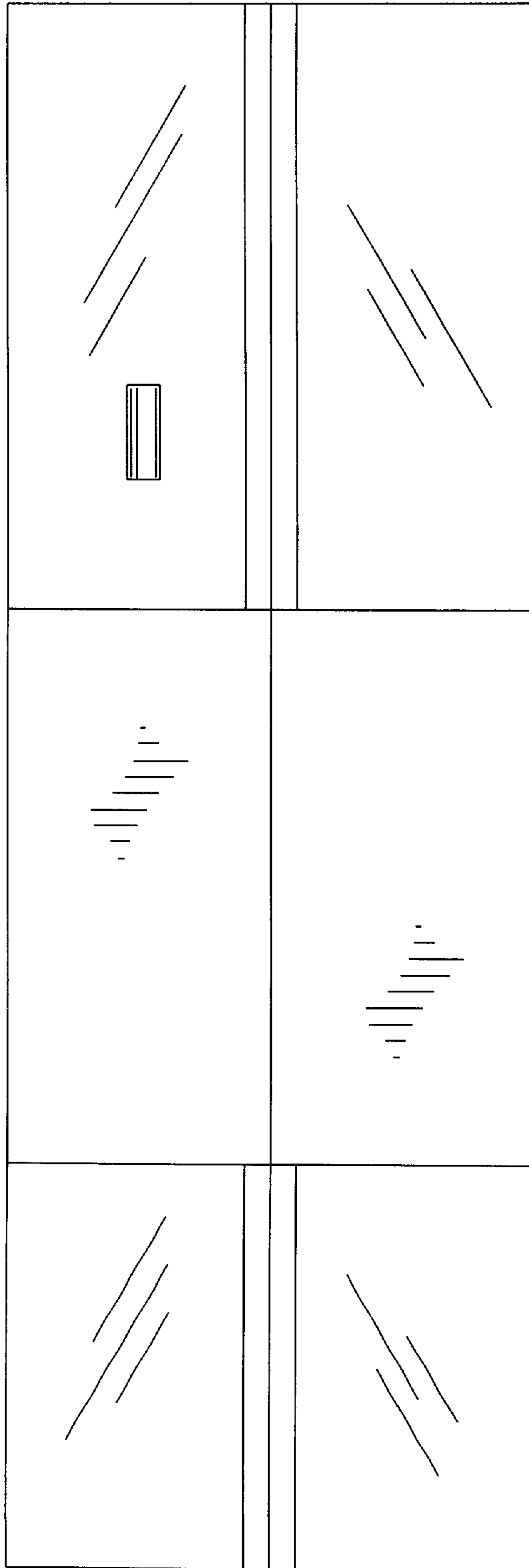


FIG 5

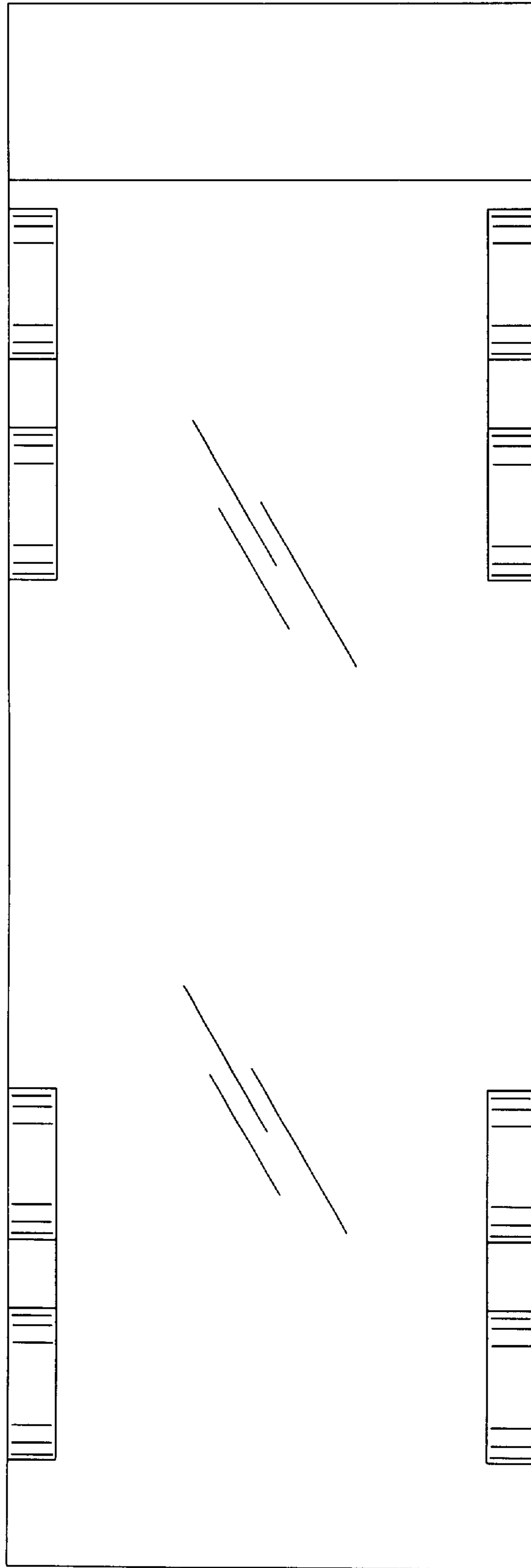


FIG 6

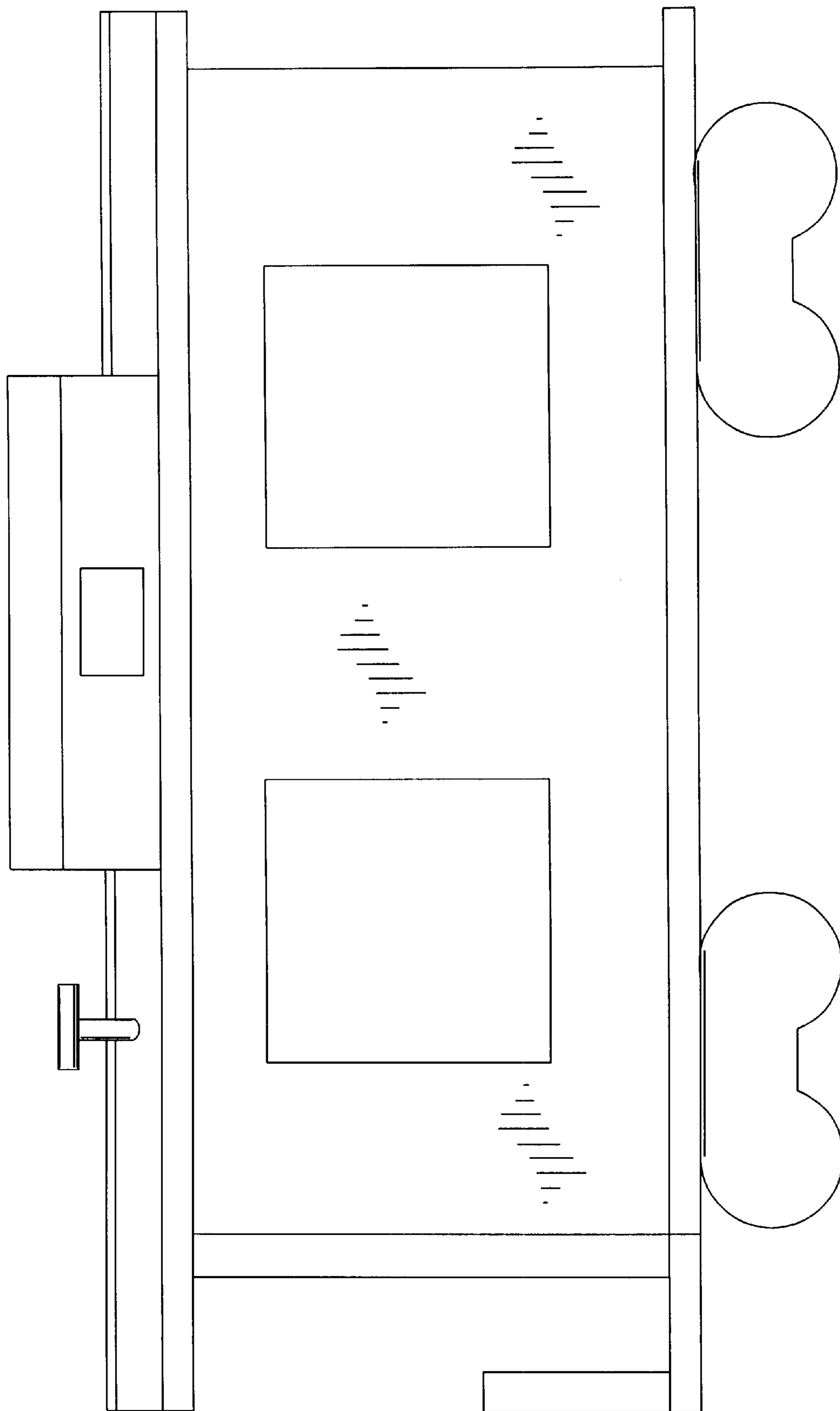


FIG 7