



US00D459565S

(12) **United States Design Patent**  
**Curtis, Sr.**

(10) **Patent No.:** **US D459,565 S**  
(45) **Date of Patent:** **\*\* Jun. 25, 2002**

(54) **CORNER SUPPORT OF A CASKET LOWERING DEVICE**

(74) *Attorney, Agent, or Firm*—Warn, Burgess & Hoffmann, P.C.

(76) **Inventor:** **Howard R. Curtis, Sr.**, 2811 S. State Rd., Ionia, MI (US) 48846

(57) **CLAIM**

(\*\*) **Term:** **14 Years**

The ornamental design for a corner support of a casket lowering device, substantially as shown and described.

(21) **Appl. No.:** **29/149,669**

**DESCRIPTION**

(22) **Filed:** **Oct. 15, 2001**

FIG. 1 is a perspective view of the corner support design of the present invention, showing a corner of a casket vault in phantom;

(51) **LOC (7) Cl.** ..... **99-00**

FIG. 2 is an enlarged perspective view of the corner support design of the present invention;

(52) **U.S. Cl.** ..... **D99/8**

(58) **Field of Search** ..... D99/1, 8, 16, 99; D34/28, 35, 31; D12/223; D8/349, 354, 381; D25/119; 248/545; 254/1, 89 R, 126, 97, 133 R, 134; 187/210

FIG. 3 is a top view of the corner support design of the present invention;

FIG. 4 is a bottom view of the corner support design of the present invention;

(56) **References Cited**

**U.S. PATENT DOCUMENTS**

D301,655 S	*	6/1989	Otte	.....	D34/31
D302,893 S	*	8/1989	Wakefield	.....	D34/31
D356,488 S	*	3/1995	Gehiere	.....	D8/354
D375,602 S	*	11/1996	Henthorn et al.	.....	D34/28
D451,786 S	*	12/2001	Wyatt et al.	.....	D8/354

FIG. 5 is a rear view of the corner support design of the present invention;

FIG. 6 is a front view of the corner support design of the present invention;

FIG. 7 is a right side view of the corner support design of the present invention; and,

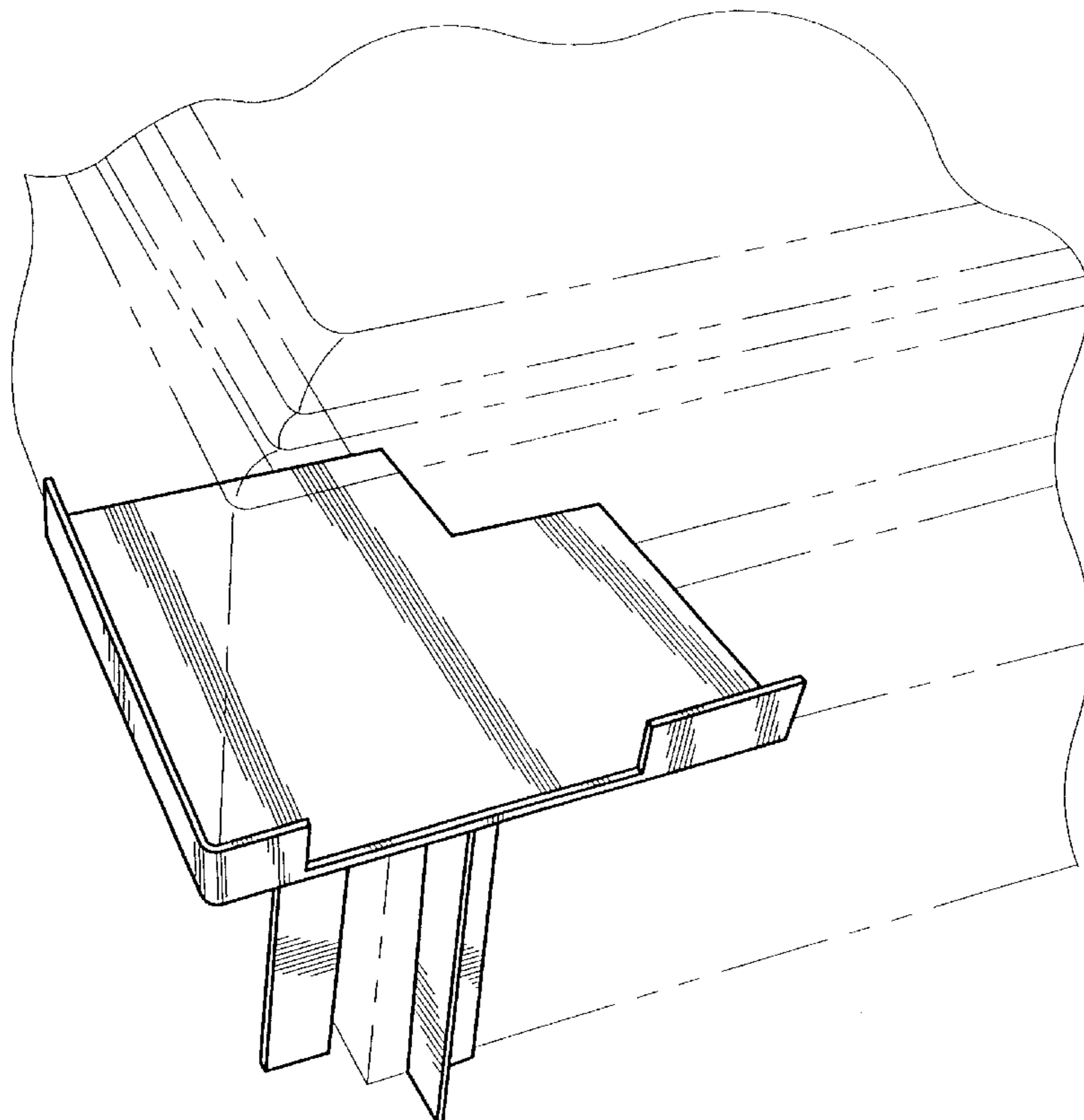
FIG. 8 is a left side view of the corner support design of the present invention.

\* cited by examiner

The broken line showing of the casket in FIG. 1 is for illustrative purposes only and forms no part of the claimed design.

*Primary Examiner*—Paula A. Mortimer

**1 Claim, 5 Drawing Sheets**



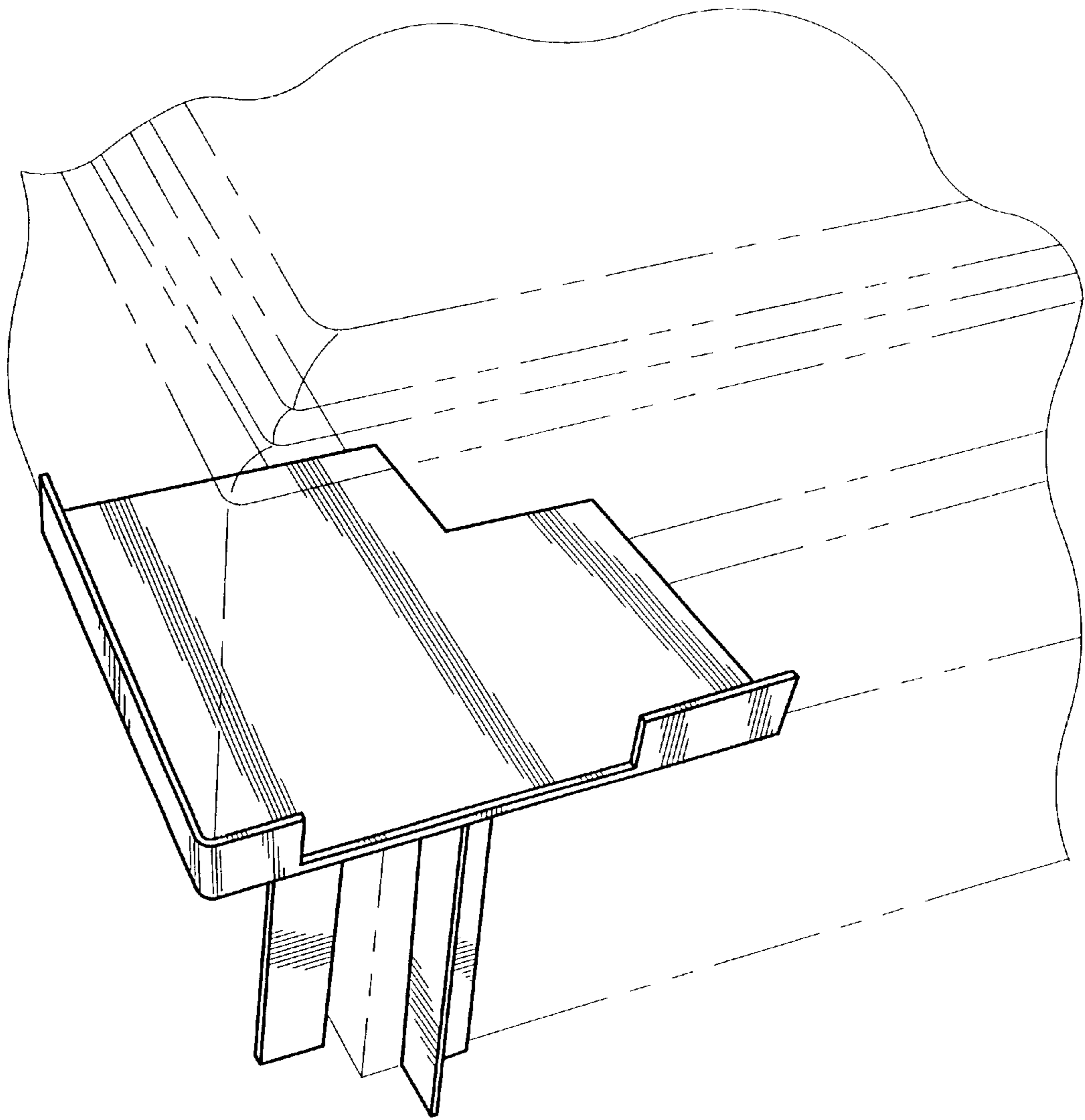


Figure - 1

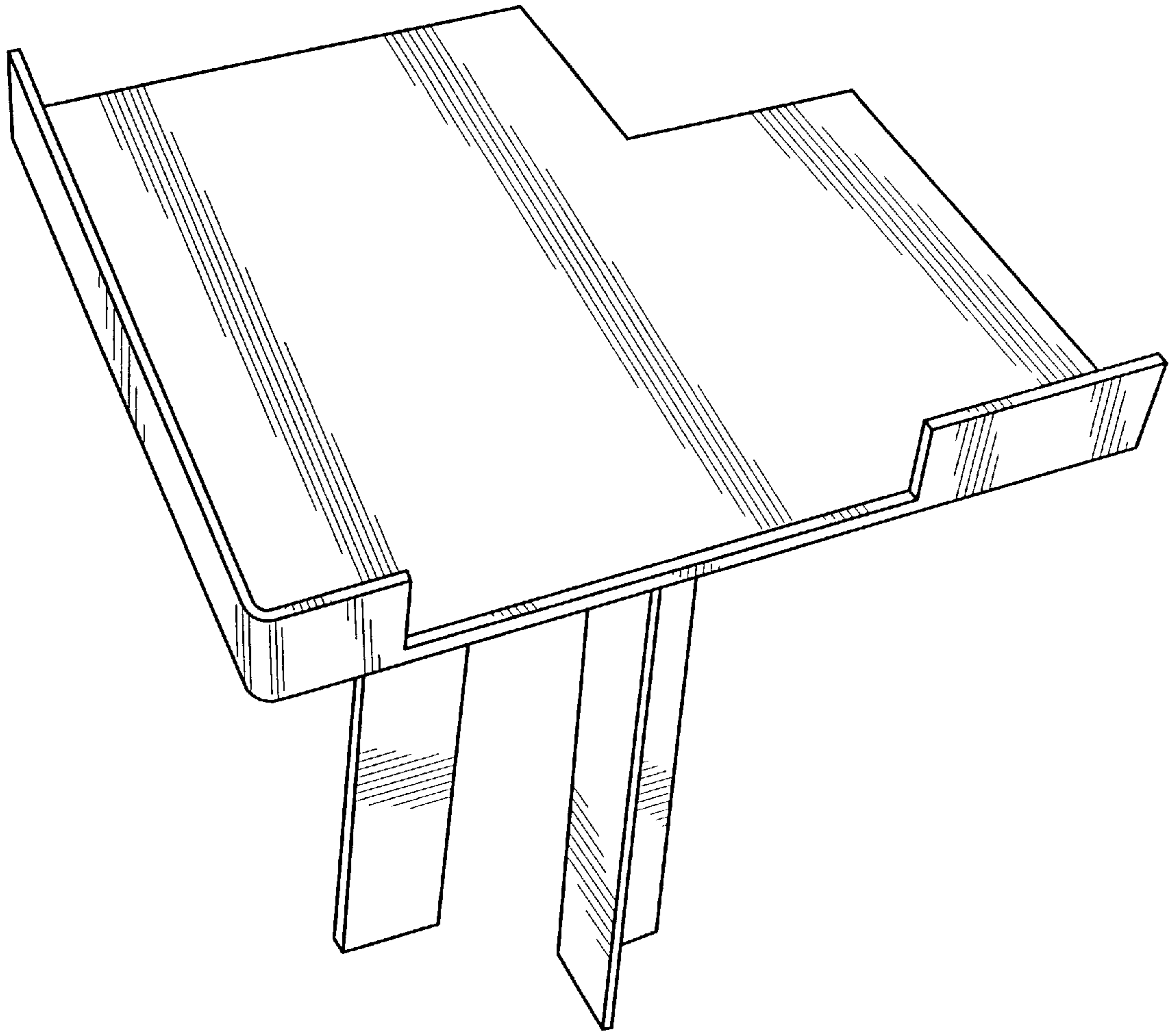


Figure - 2

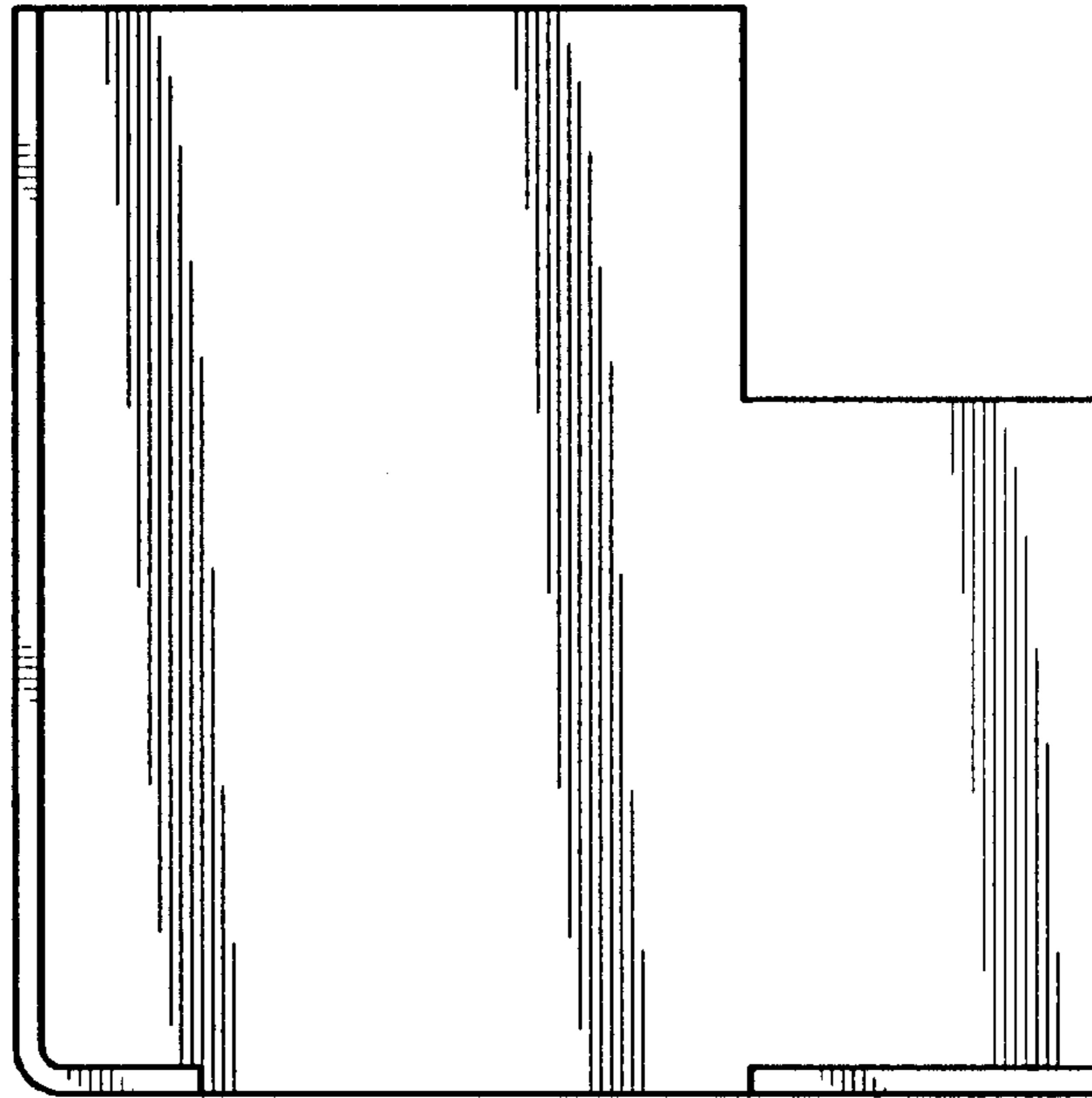


Figure - 3

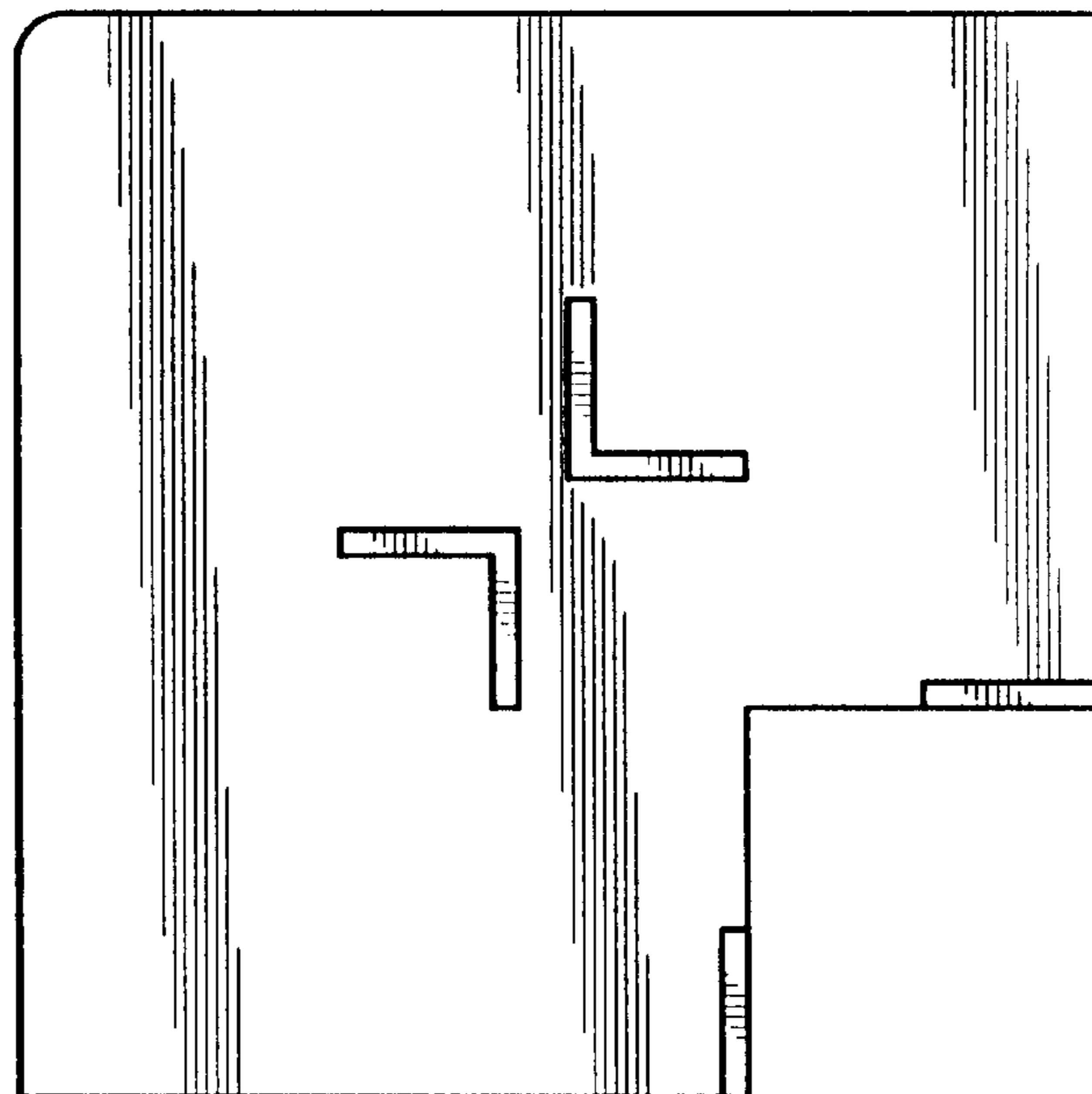


Figure - 4

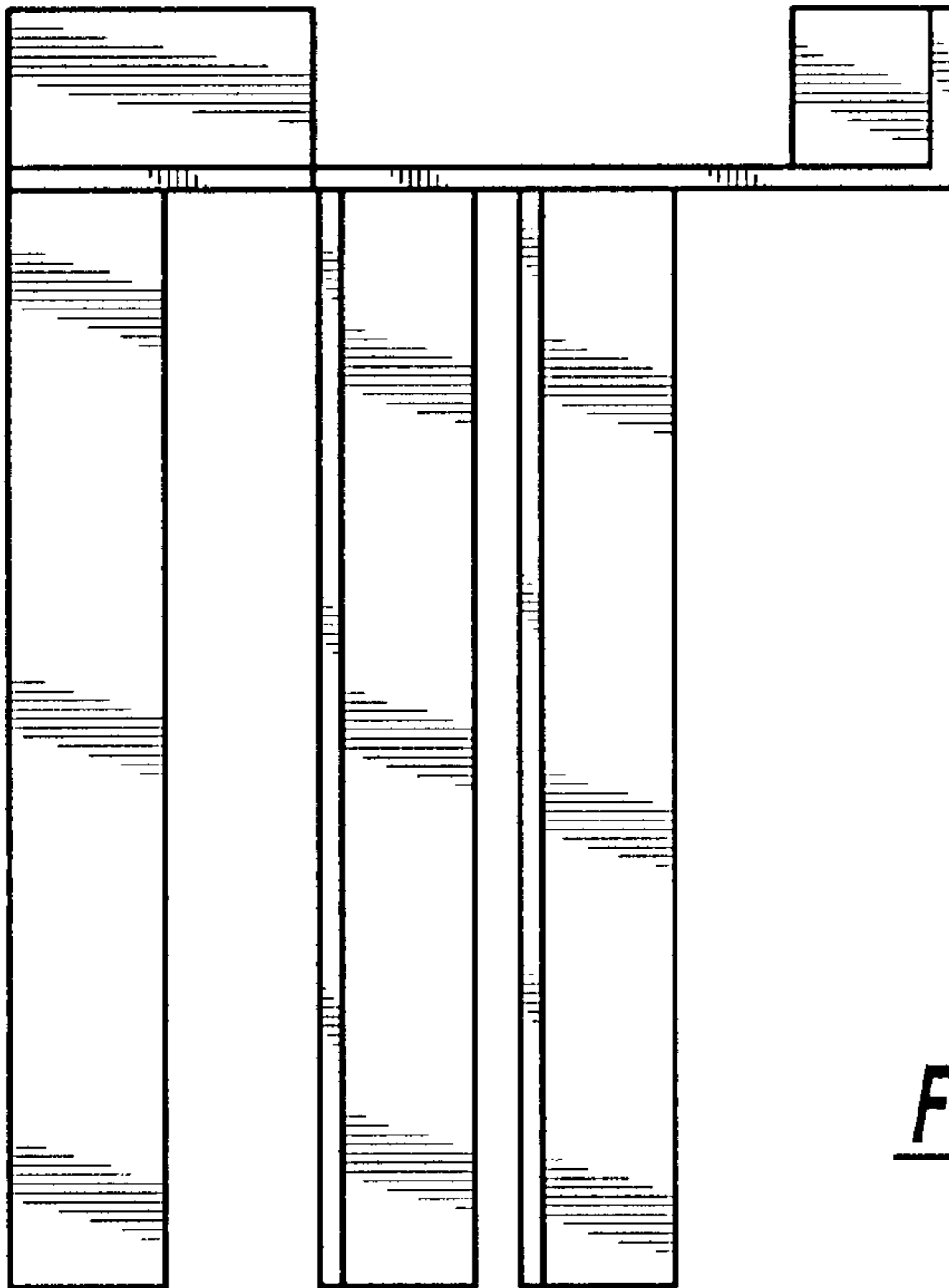


Figure - 5

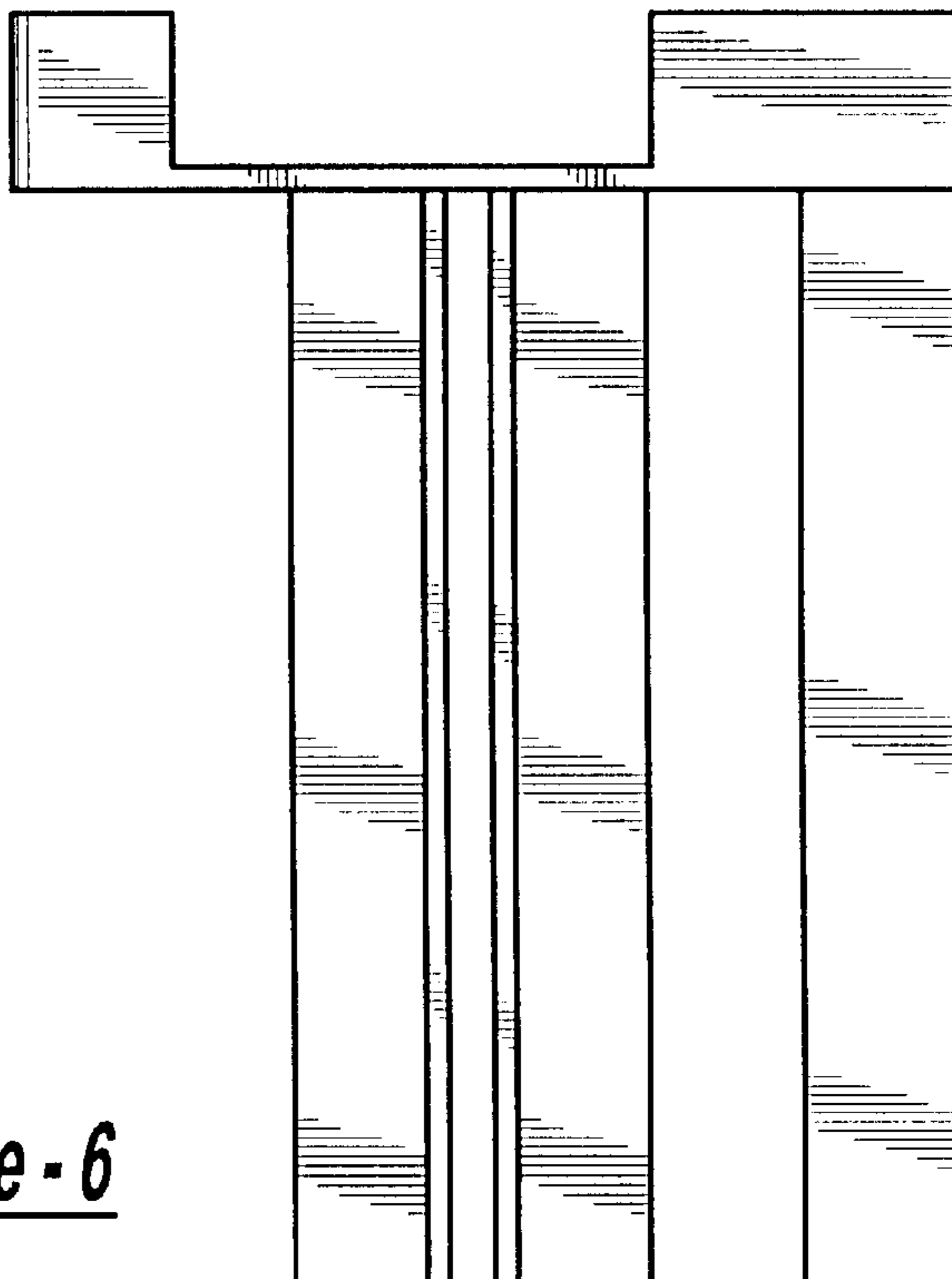


Figure - 6

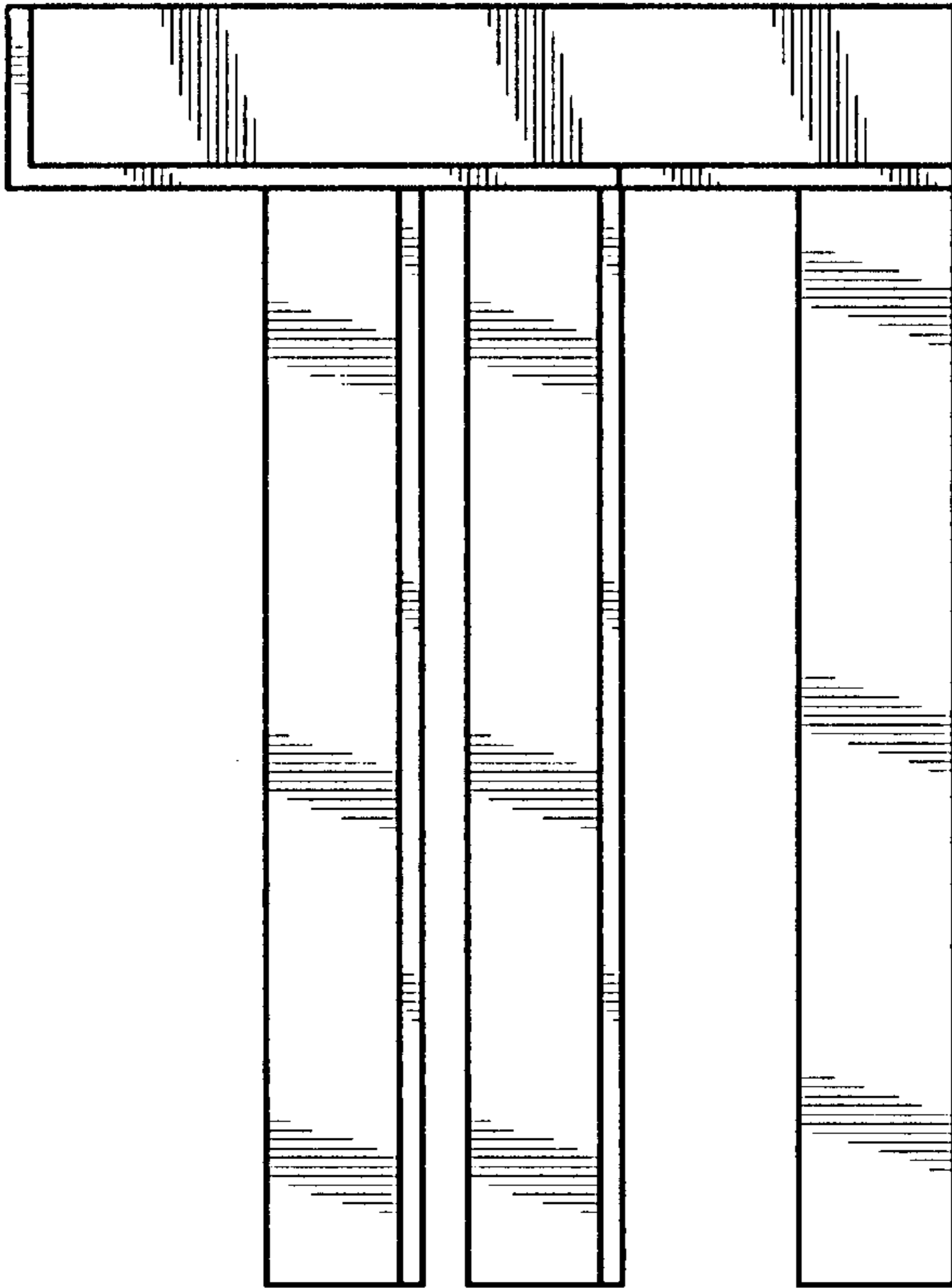


Figure - 7

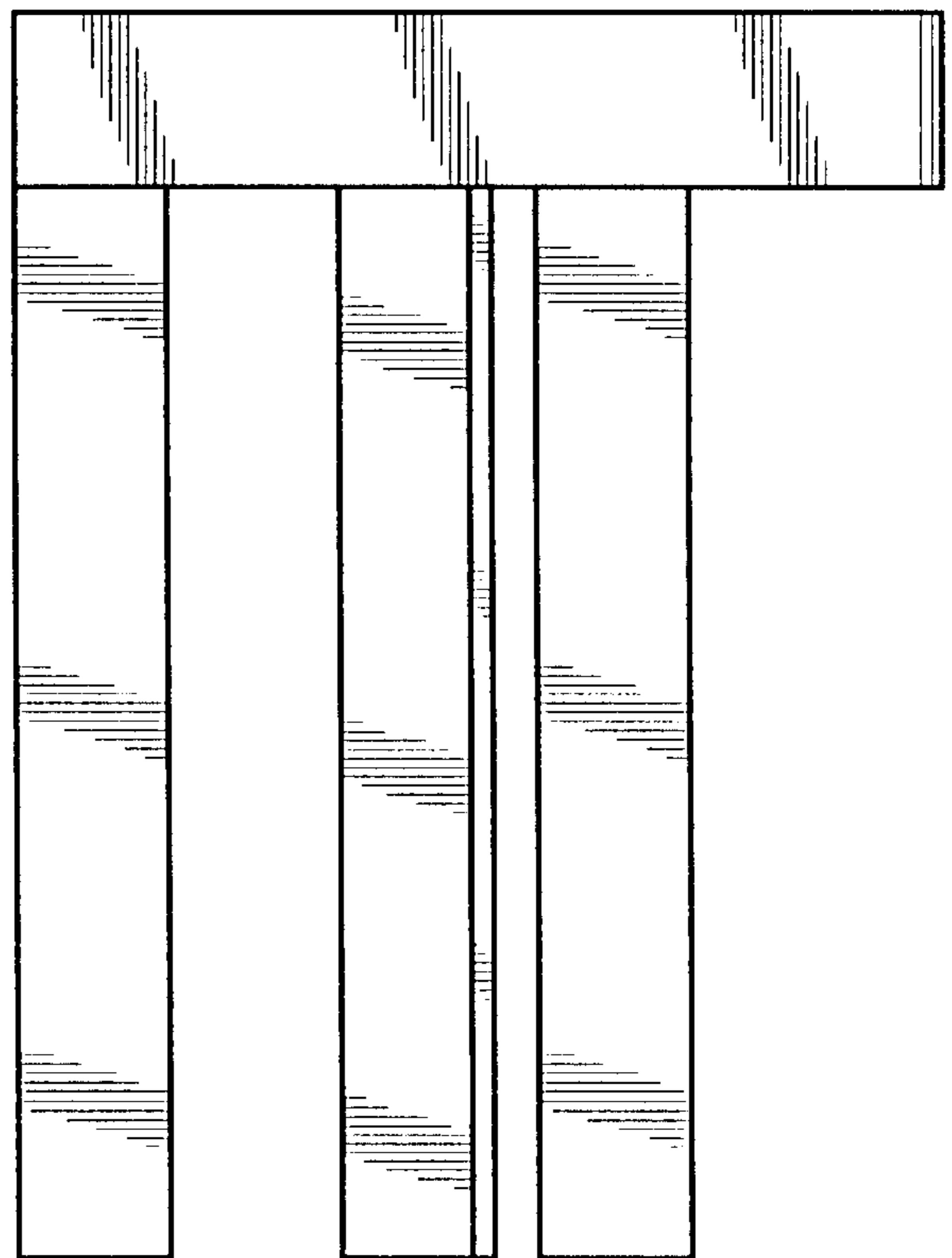


Figure - 8