



US00D459564S

(12) **United States Design Patent**
Daniels et al.

(10) **Patent No.:** **US D459,564 S**
(45) **Date of Patent:** **** Jun. 25, 2002**

(54) **UTILITY CART**

(75) Inventors: **Henry C. Daniels**, Lewisberry; **Barry R. Albert**, Dillsburg, both of PA (US)

(73) Assignee: **Ames True Temper, Inc.**, Camp Hill, PA (US)

(**) Term: **14 Years**

(21) Appl. No.: **29/141,548**

(22) Filed: **May 9, 2001**

(51) **LOC (7) Cl.** **12-02**

(52) **U.S. Cl.** **D34/25; D34/24**

(58) **Field of Search** D34/12-27; 280/30,
280/47.26, 47.24, 47.33, 47.371, 639, 651,
643, 652

(56) **References Cited**

U.S. PATENT DOCUMENTS

- 2,778,654 A 1/1957 Gottlieb
- 3,726,536 A 4/1973 Ariño
- 4,202,521 A 5/1980 Harding
- 4,290,468 A 9/1981 Rosenbloom, Jr. et al.
- 4,337,960 A 7/1982 Stewart
- 4,350,366 A 9/1982 Helms
- 4,448,434 A 5/1984 Anderson
- 4,452,468 A 6/1984 Eads et al.
- 4,759,559 A 7/1988 Moulton
- 4,789,180 A * 12/1988 Bell 280/652
- 4,826,187 A 5/1989 Abbott et al.
- 4,917,393 A 4/1990 Rogers

- D341,460 S * 11/1993 Parshall et al. D34/24
- 5,380,033 A 1/1995 Harling
- D357,103 S * 4/1995 Teifel D34/19
- 5,445,398 A 8/1995 Pierce
- D366,748 S * 1/1996 Harrington D34/24
- 5,833,250 A 11/1998 Schier et al.
- 5,915,723 A 6/1999 Austin
- 5,967,544 A 10/1999 Kanta
- 6,131,861 A 10/2000 Fortier, Jr. et al.
- 6,142,491 A 11/2000 Darling, III
- 6,164,671 A 12/2000 Darling, III
- 6,179,306 B1 1/2001 Maxwell

FOREIGN PATENT DOCUMENTS

GB 2 133 977 8/1984

* cited by examiner

Primary Examiner—Kay H. Chin

(74) *Attorney, Agent, or Firm*—Pillsbury Winthrop LLP

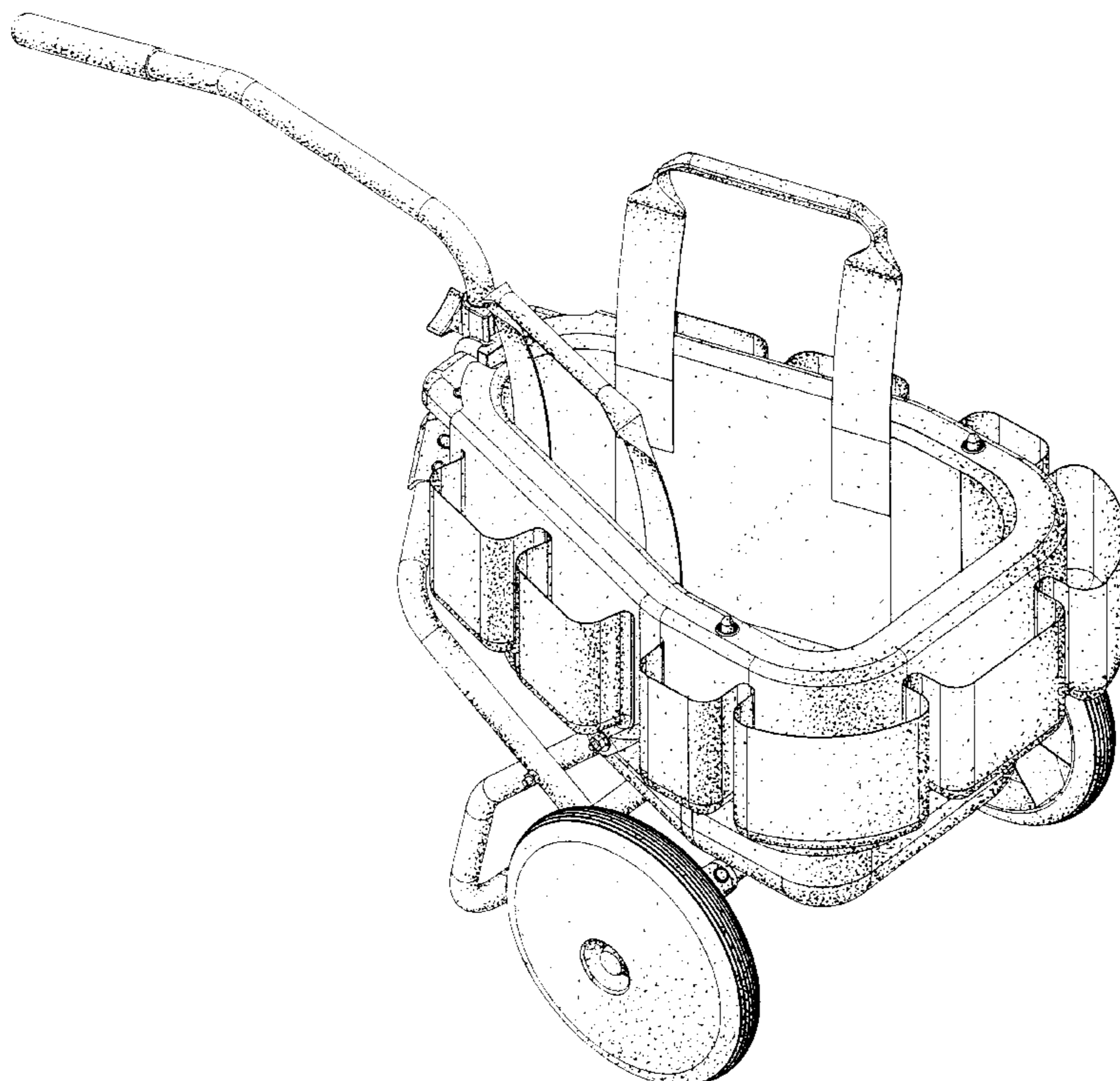
(57) **CLAIM**

The ornamental design for a utility cart, as shown and described.

DESCRIPTION

FIG. 1 is a perspective view of the cart of our invention; FIG. 2 is a front elevational view; FIG. 3 is an elevational view of the rear; FIG. 4 is a top, plan view; FIG. 5 is a bottom, plan view; FIG. 6 is an elevational view of the left side; and, FIG. 7 is an elevational view of the right side.

1 Claim, 7 Drawing Sheets



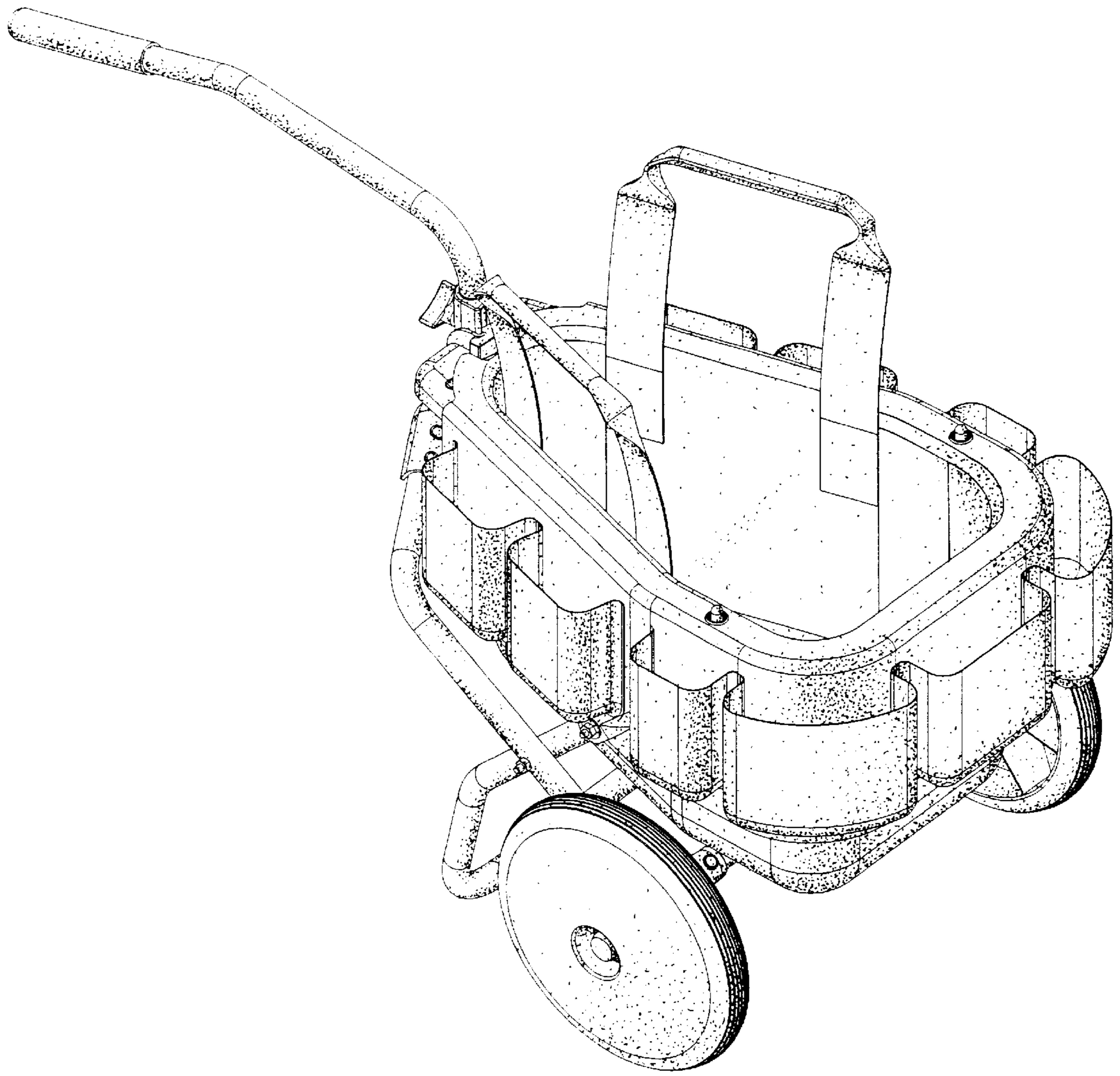


FIG. 1

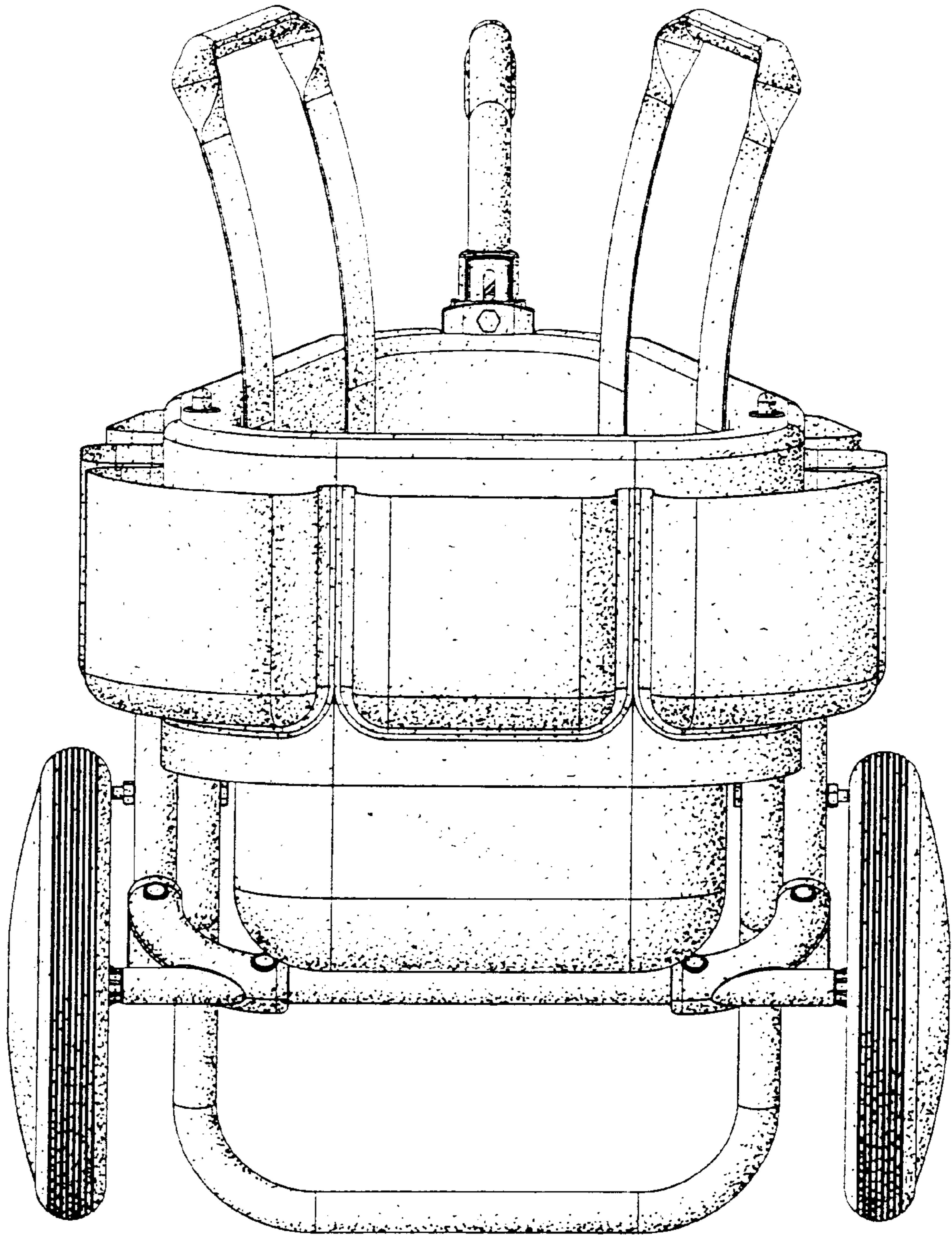


FIG. 2

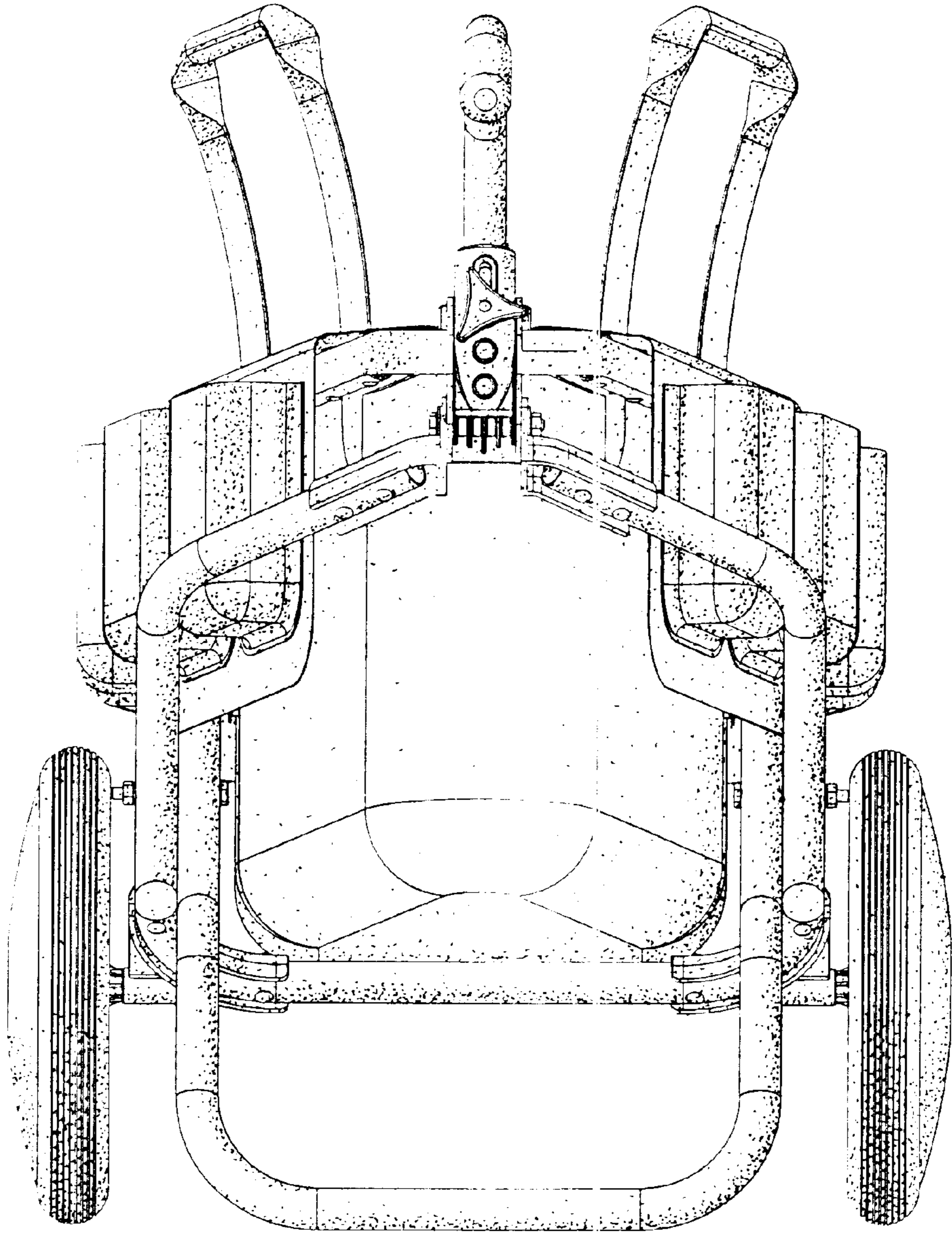


FIG. 3

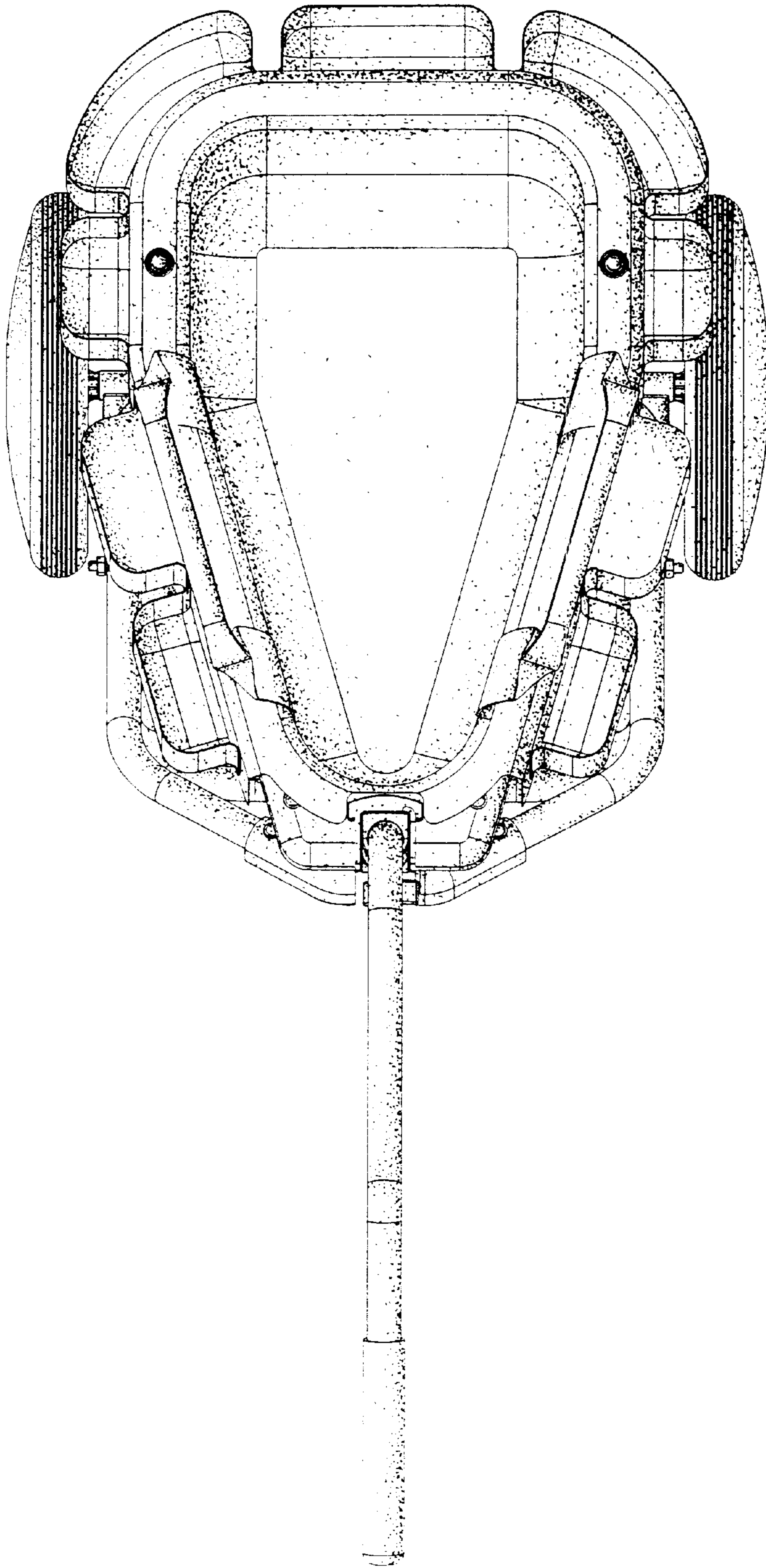


FIG. 4

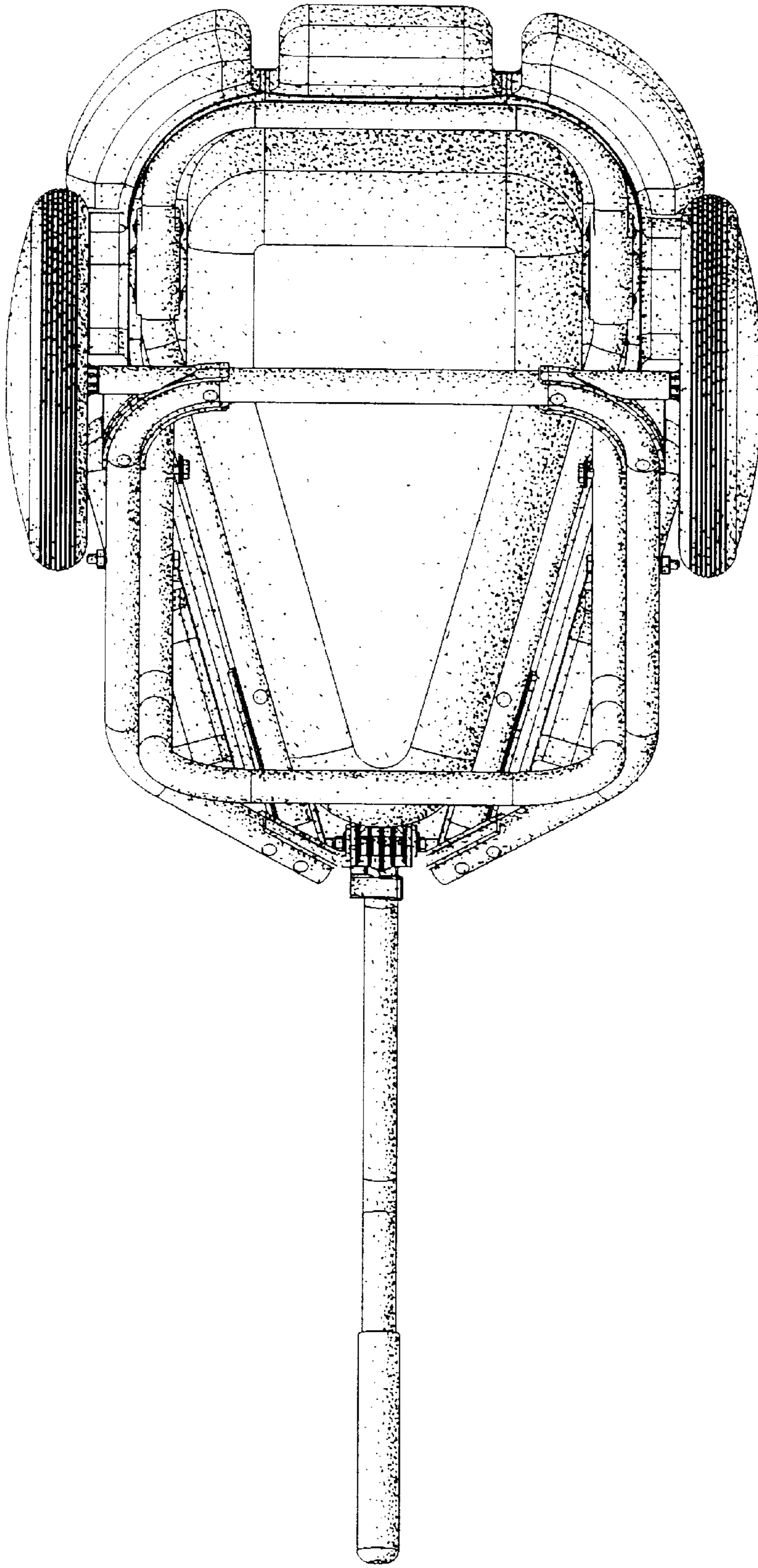


FIG. 5

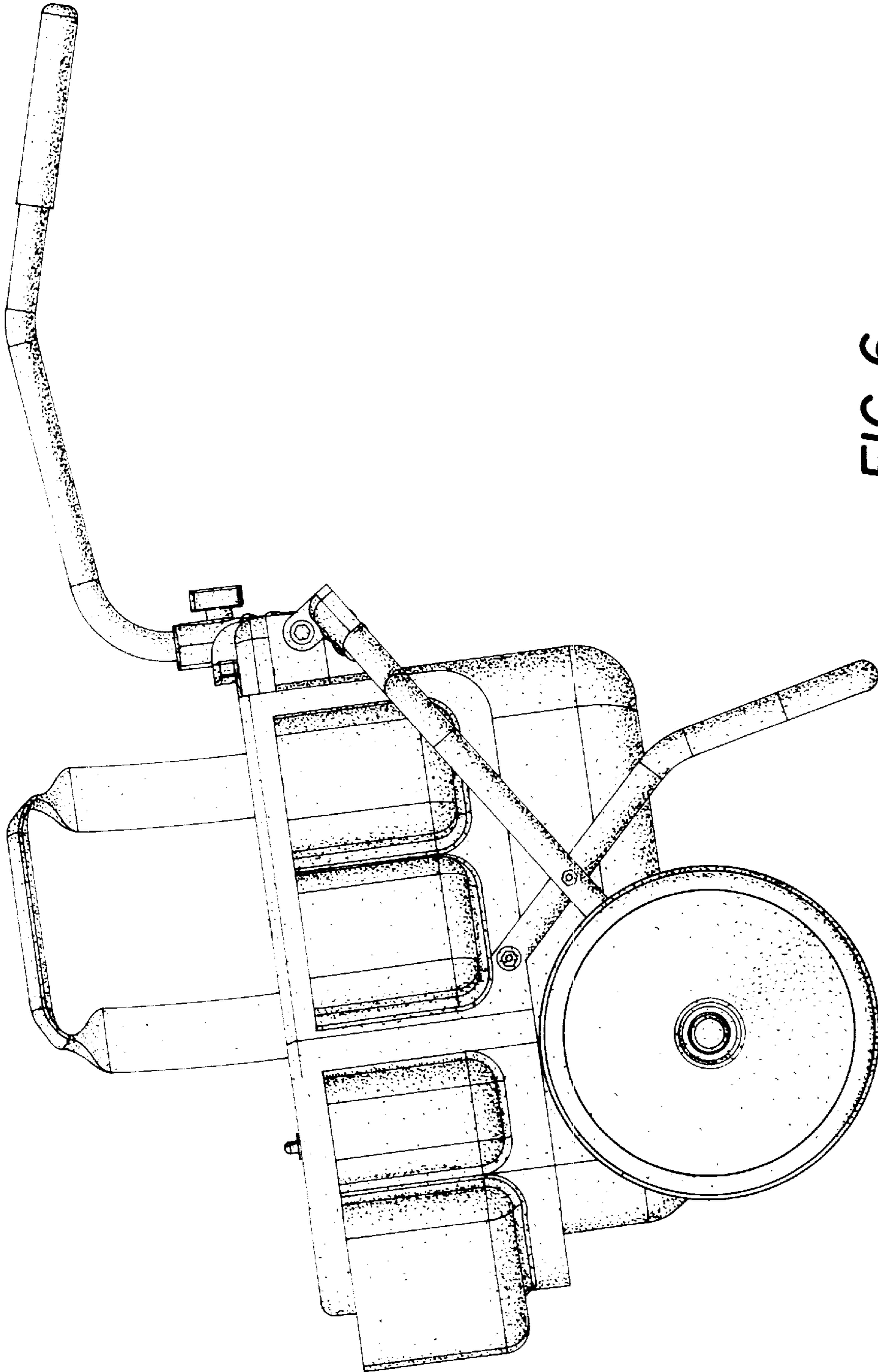


FIG. 6

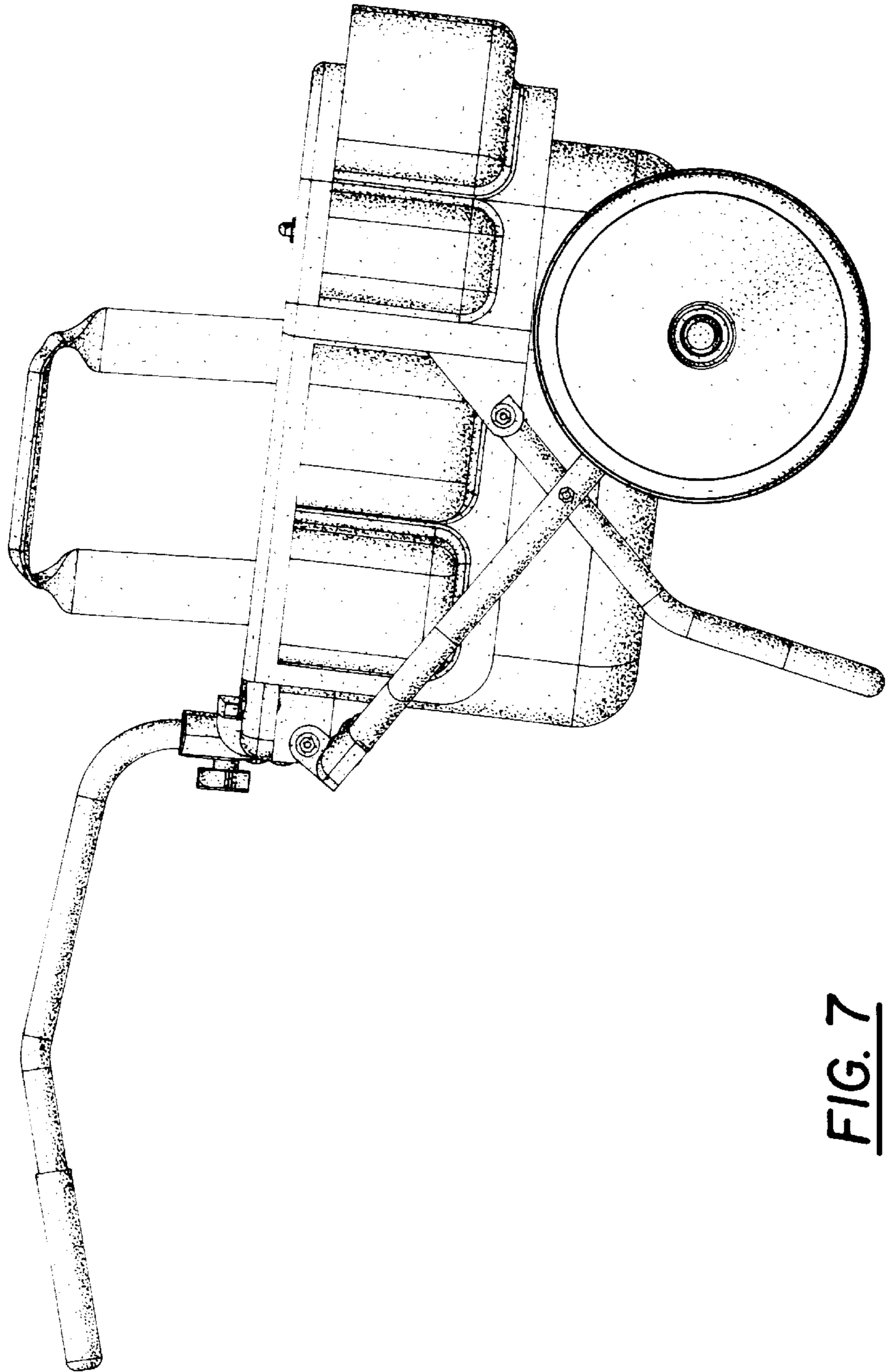


FIG. 7