



US00D459563S

(12) **United States Design Patent**  
**Slear et al.**

(10) **Patent No.:** **US D459,563 S**

(45) **Date of Patent:** **\*\* Jun. 25, 2002**

(54) **SITE FURNITURE**

D445,982 S \* 7/2001 Skalka ..... D34/5

(75) Inventors: **Carl A. Slear; Arthur C. Slear**, both  
of Butler, PA (US)

\* cited by examiner

*Primary Examiner*—Cynthia E. Ramirez

(73) Assignee: **Keystone Ridge Designs, Inc.**, Butler,  
PA (US)

(74) *Attorney, Agent, or Firm*—Webb Ziesenheim Logsdon  
Orkin & Hanson, P.C.

(\*\*) Term: **14 Years**

(57) **CLAIM**

The ornamental design for site furniture, as shown and  
described.

(21) Appl. No.: **29/140,671**

**DESCRIPTION**

(22) Filed: **Apr. 23, 2001**

(51) **LOC (7) Cl.** ..... **09-09**

(52) **U.S. Cl.** ..... **D34/1**

(58) **Field of Search** ..... D34/1, 5, 6, 7,  
D34/8, 9, 10; 220/908, 909, 910, 911

FIG. 1 is a perspective view of site furniture showing our  
new design;

FIG. 2 is a top plan view thereof;

FIG. 3 is a bottom plan view thereof;

FIG. 4 is a front elevation view thereof;

FIG. 5 is a rear elevation view thereof;

FIG. 6 is a right side elevation view thereof; and,

FIG. 7 is a left side elevation view thereof.

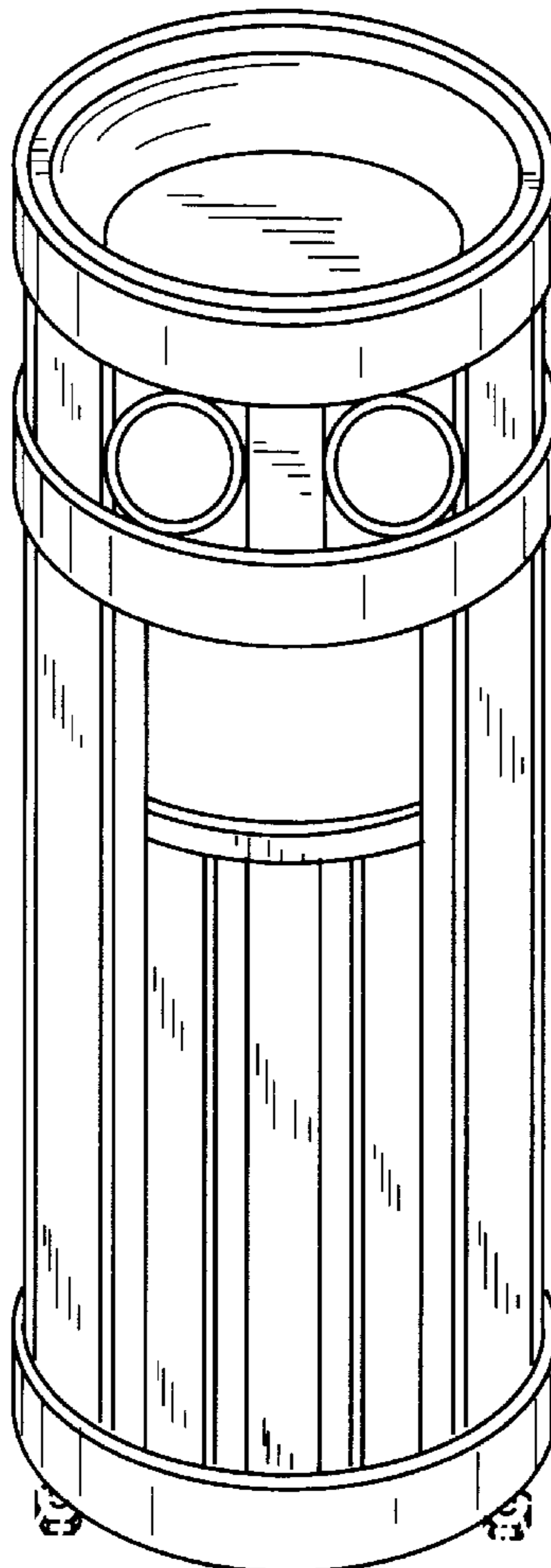
The broken lines in FIGS. 1, 3, 4, 5, 6 and 7 are for  
illustrative purposes only and form no part of the claimed  
design.

(56) **References Cited**

**U.S. PATENT DOCUMENTS**

- D322,348 S \* 12/1991 Skalka ..... D34/5
- D353,250 S \* 12/1994 Skalka ..... D34/1
- D353,925 S \* 12/1994 Freeland ..... D34/1
- D424,769 S \* 5/2000 Hornyak ..... D34/1

**1 Claim, 4 Drawing Sheets**



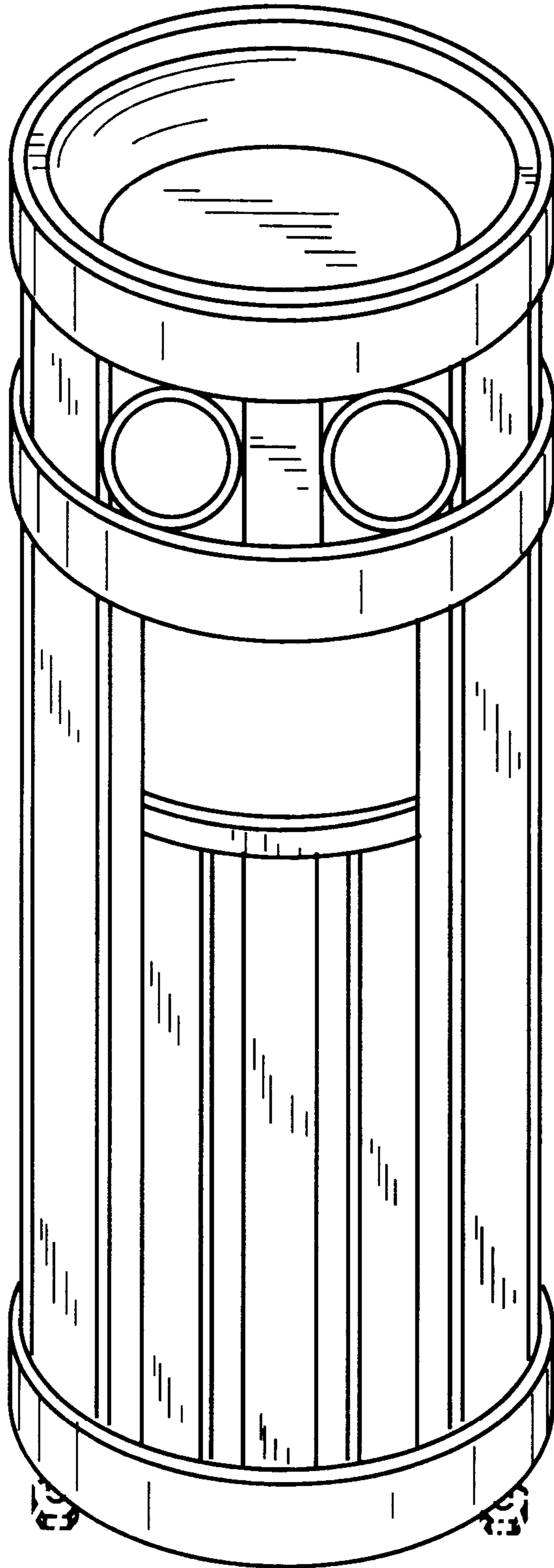


FIG. 1

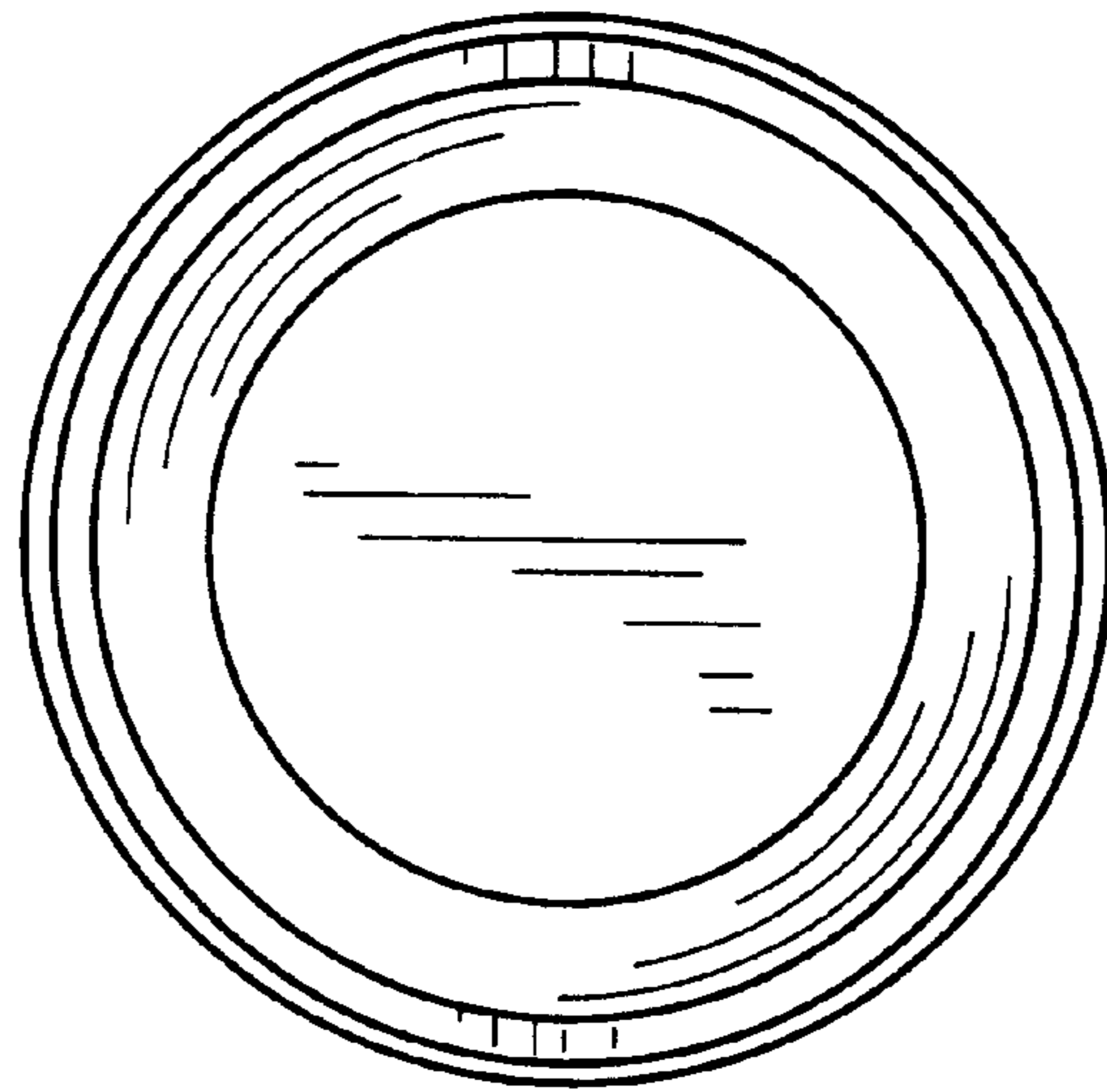


FIG. 2

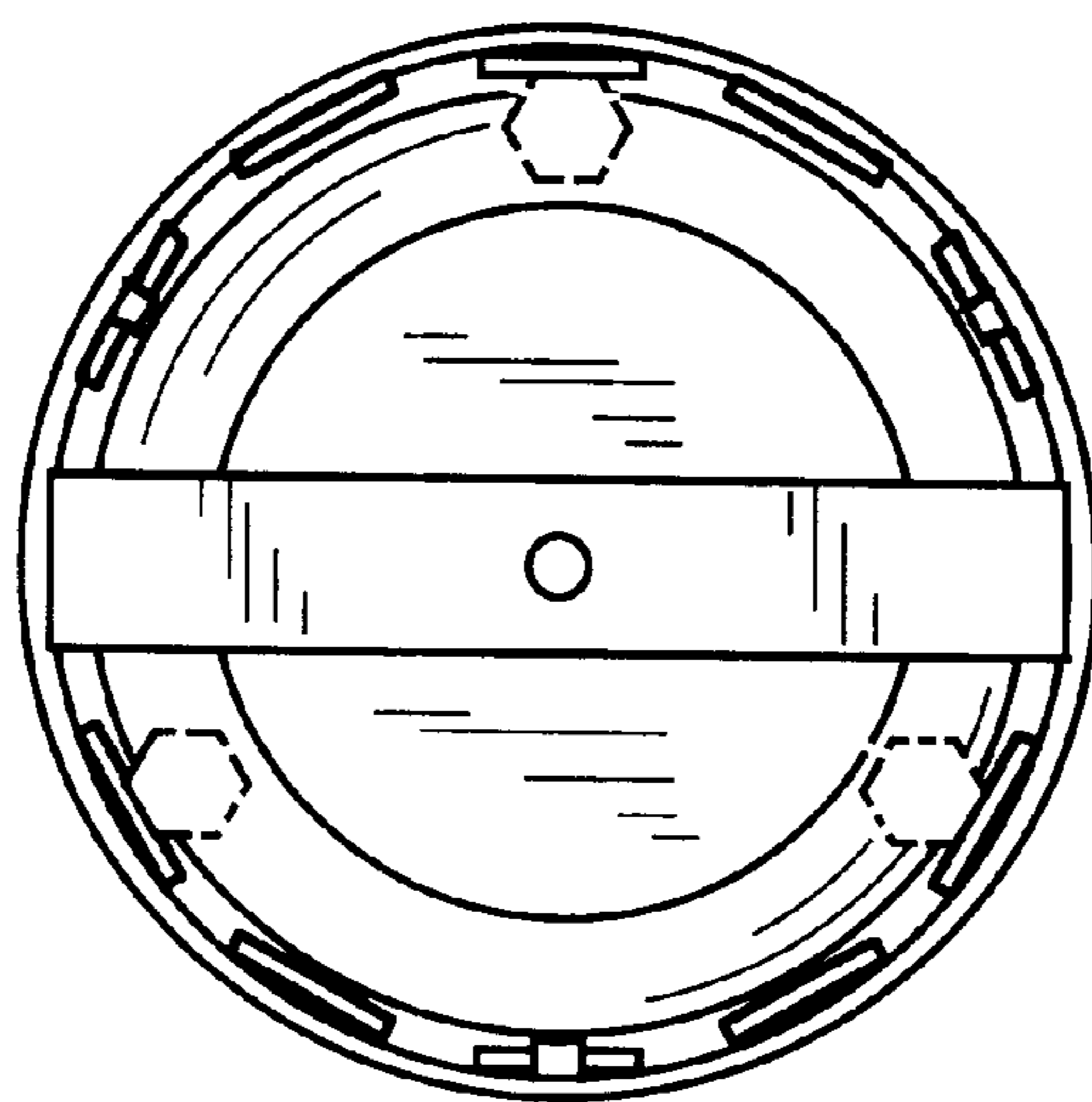


FIG. 3

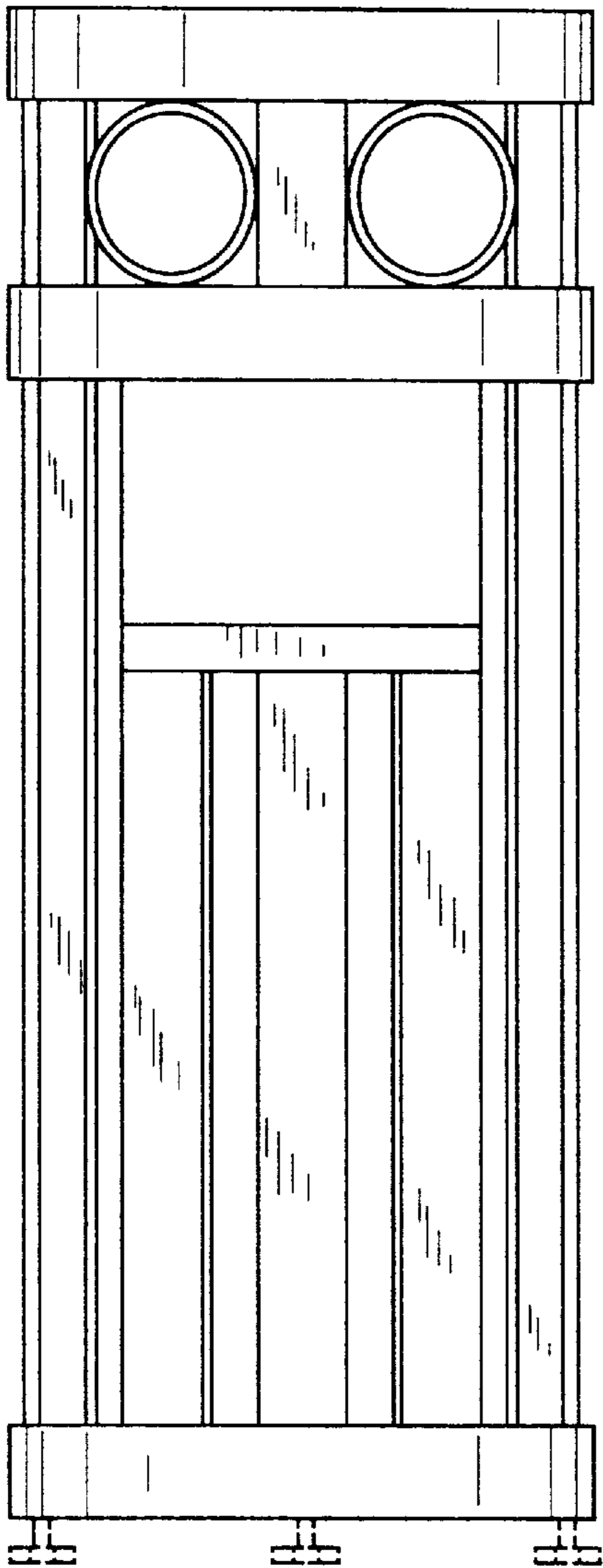


FIG. 4

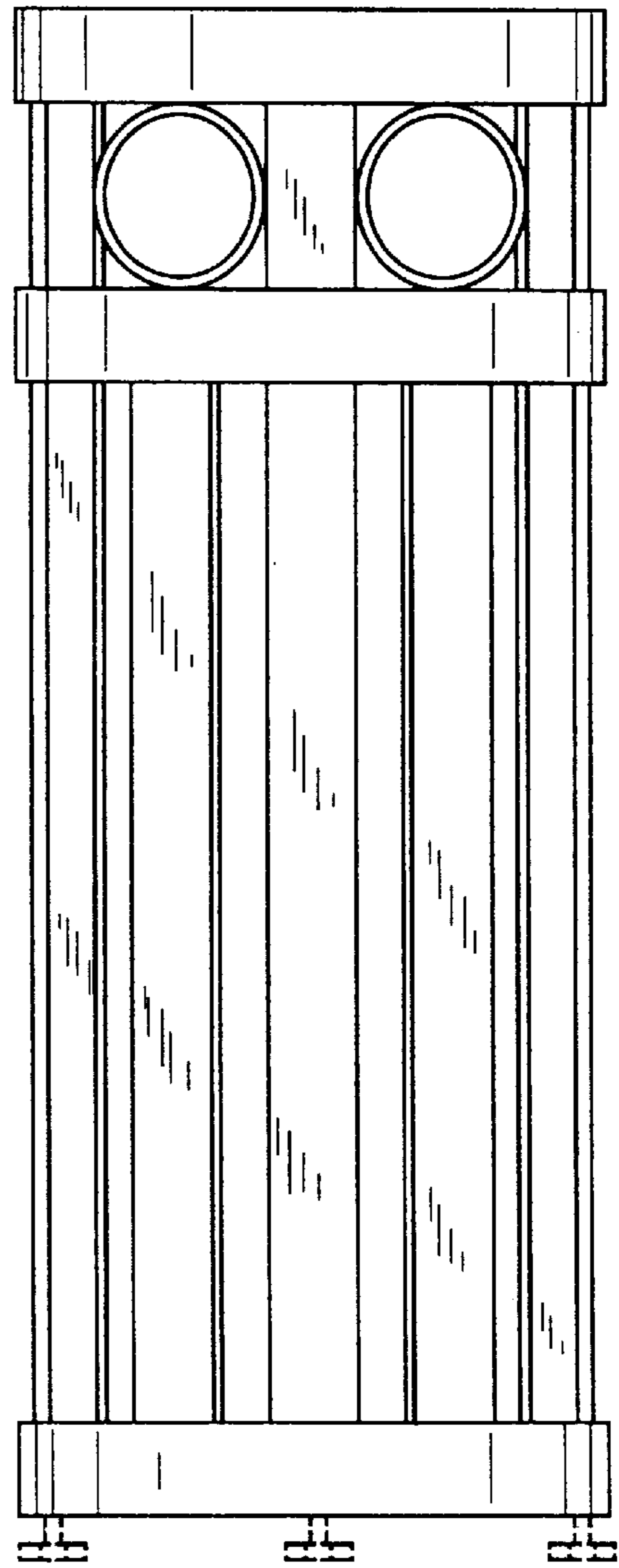


FIG. 5

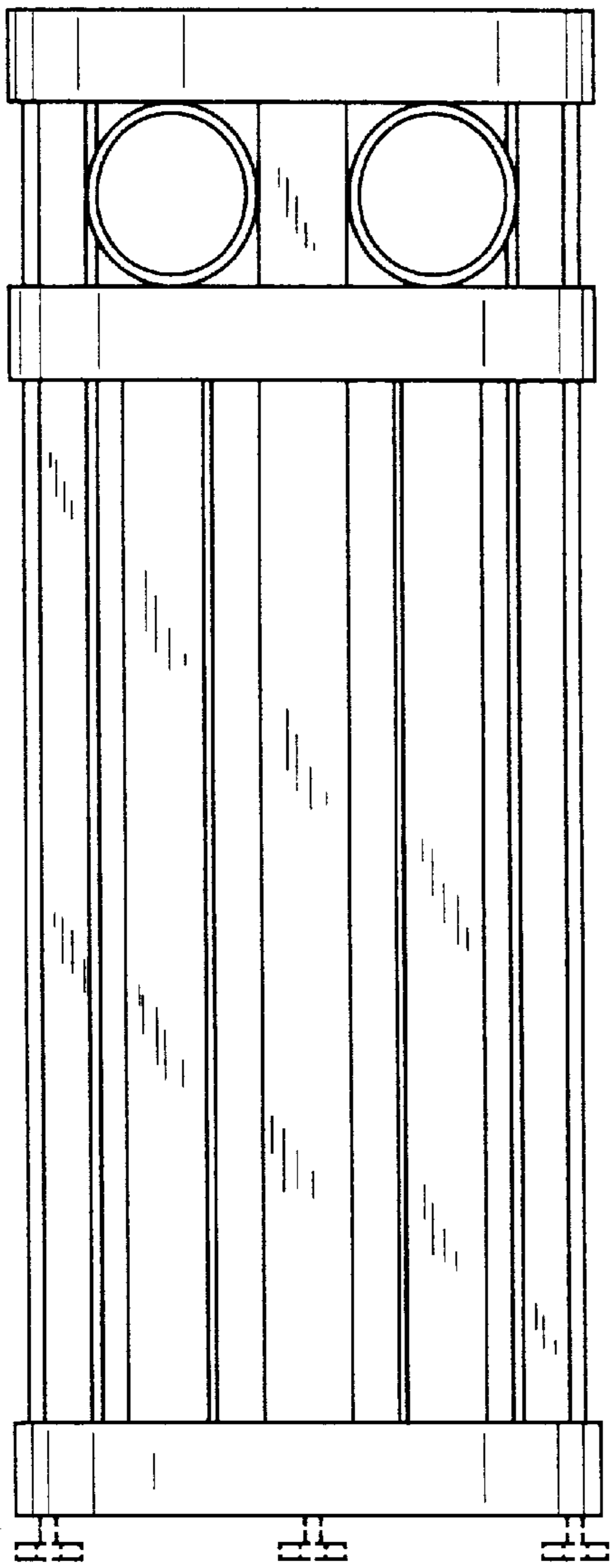


FIG. 6

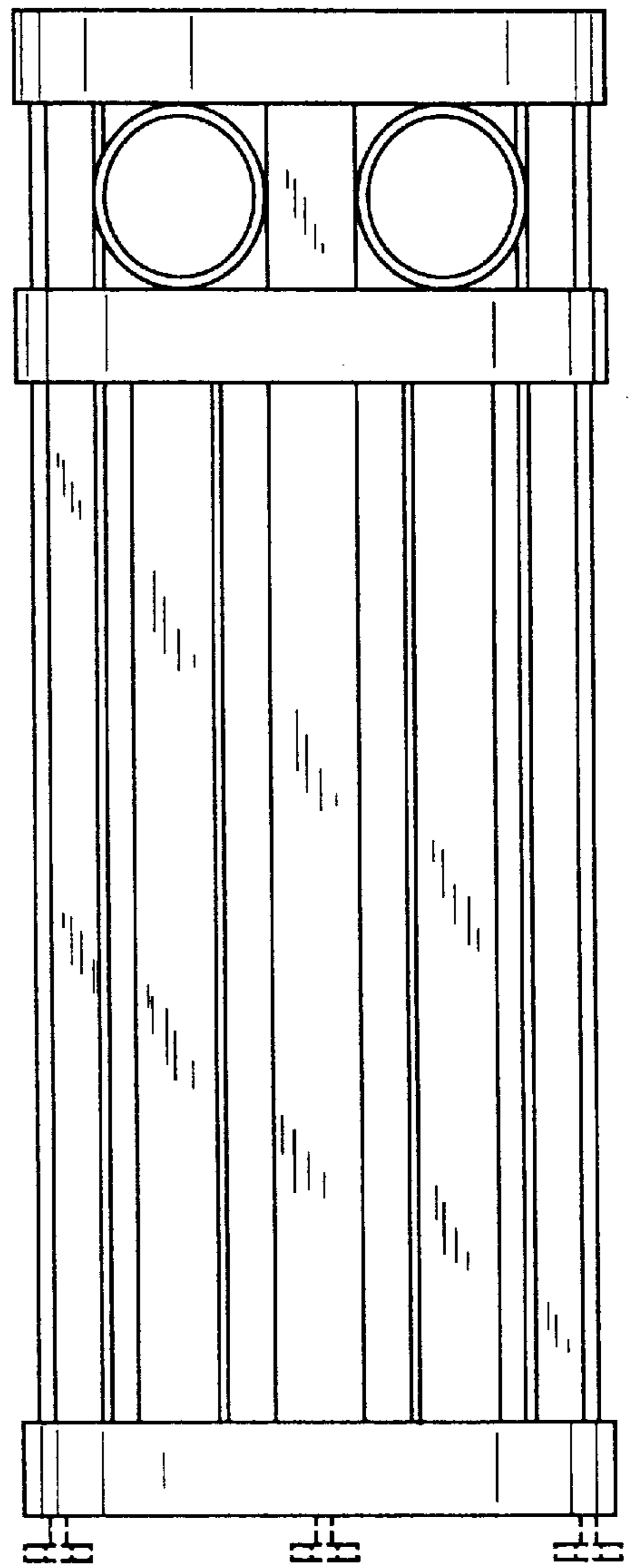


FIG. 7