



US00D459560S

(12) **United States Design Patent**
Lau

(10) **Patent No.:** **US D459,560 S**
(45) **Date of Patent:** **** Jun. 25, 2002**

- (54) **VACUUM CLEANER**
- (75) Inventor: **Ying Wai Lau, Kowloon (HK)**
- (73) Assignee: **A K Industrial Co., Ltd., Kowloon (HK)**
- (**) Term: **14 Years**
- (21) Appl. No.: **29/146,418**
- (22) Filed: **Aug. 9, 2001**
- (51) **LOC (7) Cl.** **15-05**
- (52) **U.S. Cl.** **D32/18**
- (58) **Field of Search** **D32/17-18, 21, D32/25, 31; D28/50; D30/158, 199; D8/30; 15/344, 329, 320, 350, 352, 413, 345, 409, 32; 132/112; 68/222; 134/172, 198, 105**

- D440,720 S * 4/2001 Stratford D32/18
- D441,151 S * 4/2001 Stratford D32/18
- D441,152 S * 4/2001 Stratford D32/18
- D441,926 S * 5/2001 Stratford D32/18
- D448,894 S * 10/2001 Yuen D32/18

* cited by examiner

Primary Examiner—Ruth McInroy

(74) *Attorney, Agent, or Firm*—Alix, Yale & Ristas, LLP

(57) **CLAIM**

The ornamental design for a vacuum cleaner, as shown and described.

DESCRIPTION

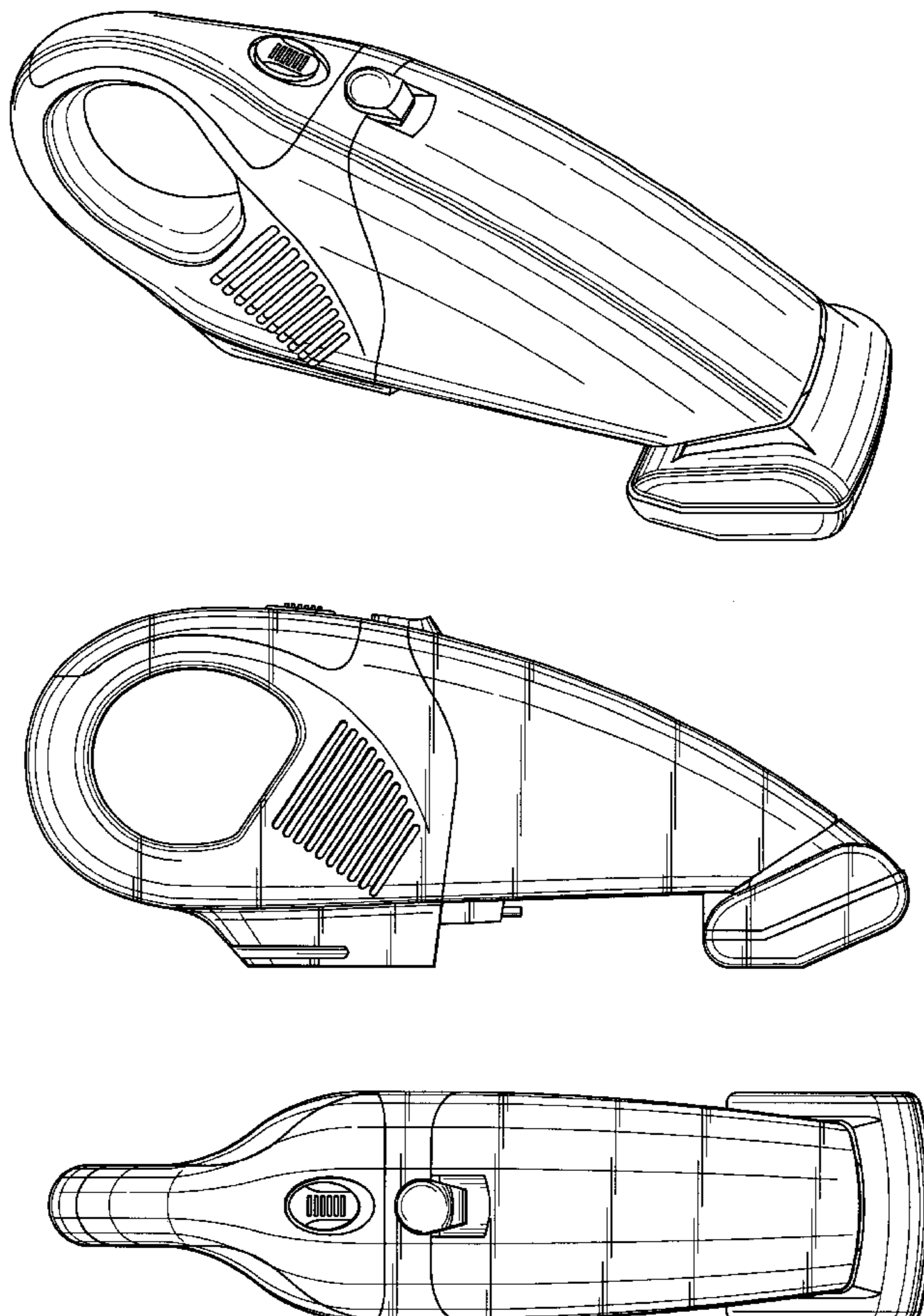
FIG. 1 is a front perspective view of a vacuum cleaner showing my new design;
 FIG. 2 is a front view of the vacuum cleaner of FIG. 1;
 FIG. 3 is a top plan view of the vacuum cleaner of FIG. 1;
 FIG. 4 is a rear view of the vacuum cleaner of FIG. 1;
 FIG. 5 is a bottom plan view of the vacuum cleaner of FIG. 1;
 FIG. 6 is a left side view of the vacuum cleaner of FIG. 1;
 and,
 FIG. 7 is a right side view of the vacuum cleaner of FIG. 1.

(56) **References Cited**

U.S. PATENT DOCUMENTS

- D376,228 S * 12/1996 Bass et al. D32/18
- D387,516 S * 12/1997 Murray et al. D32/18
- D418,262 S * 12/1999 Yuen D32/18
- D432,743 S * 10/2000 Santiago D32/18
- D437,983 S * 2/2001 Stratford D32/18
- D440,719 S * 4/2001 Stratford D32/18

1 Claim, 4 Drawing Sheets



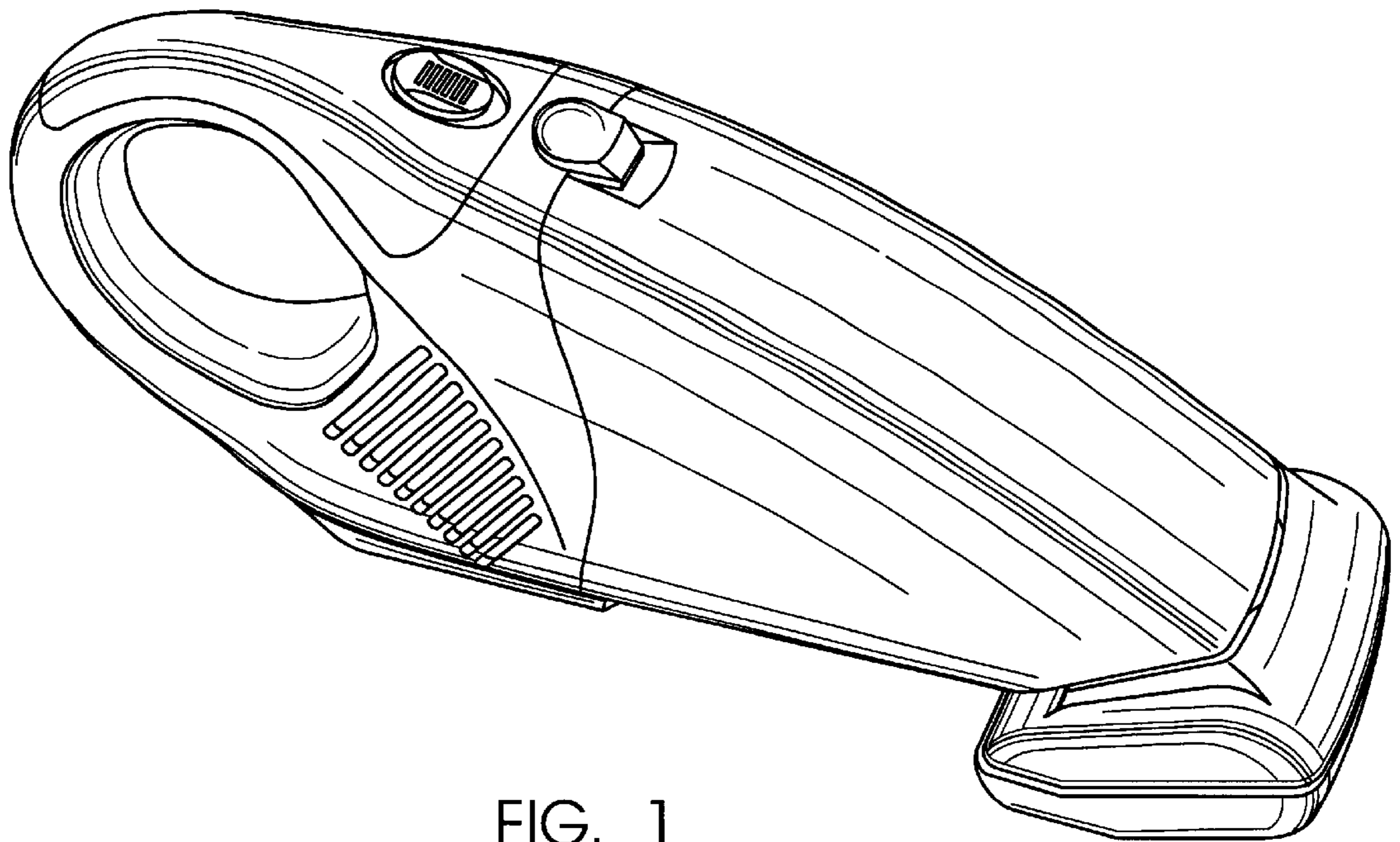


FIG. 1

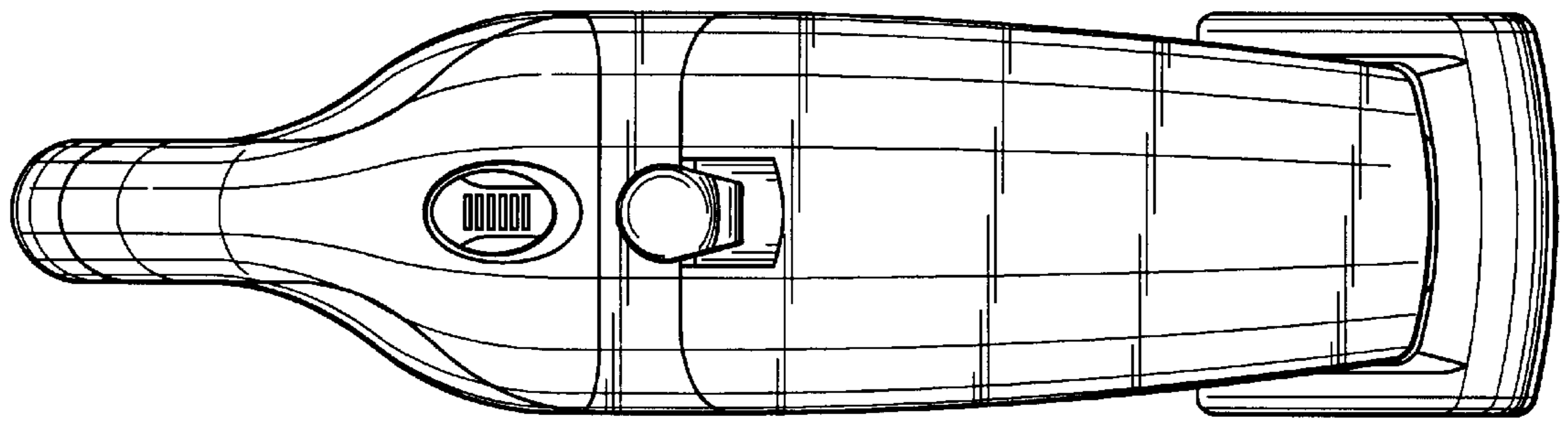


FIG. 3

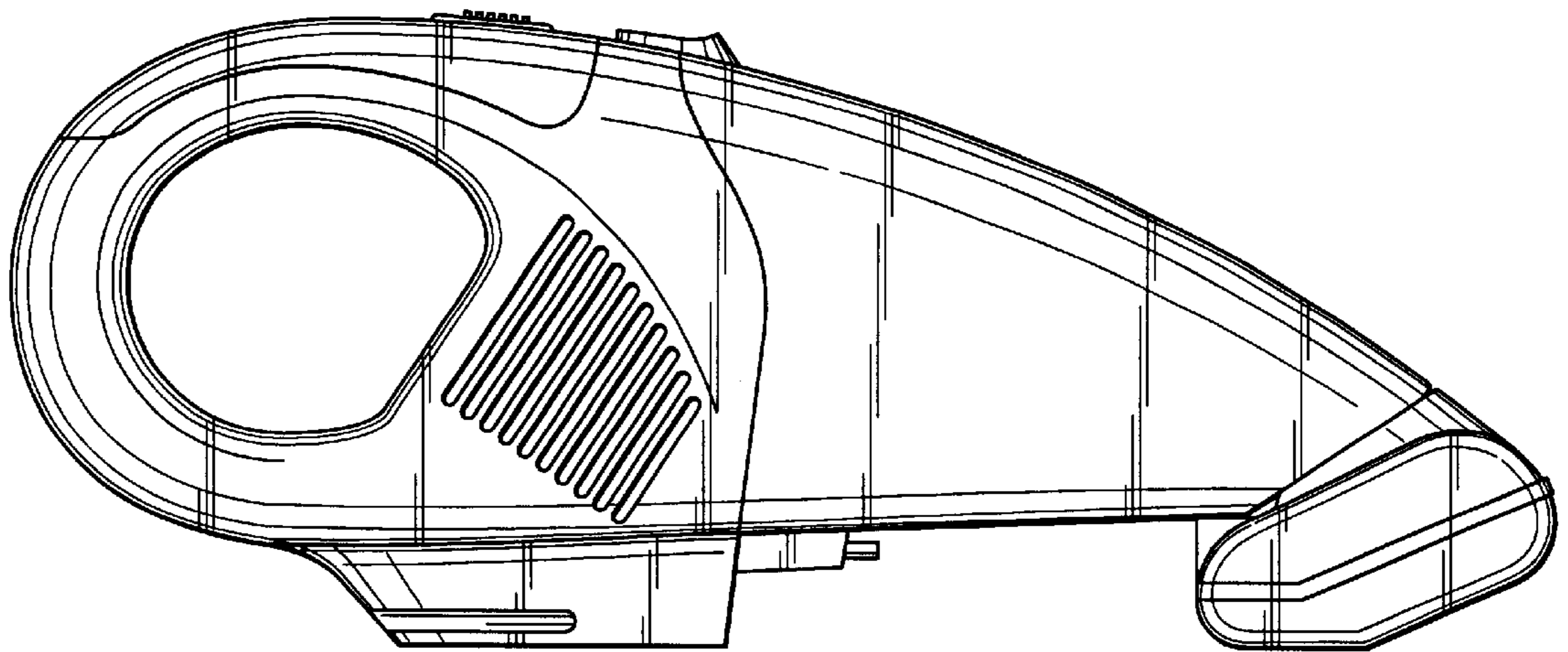


FIG. 2

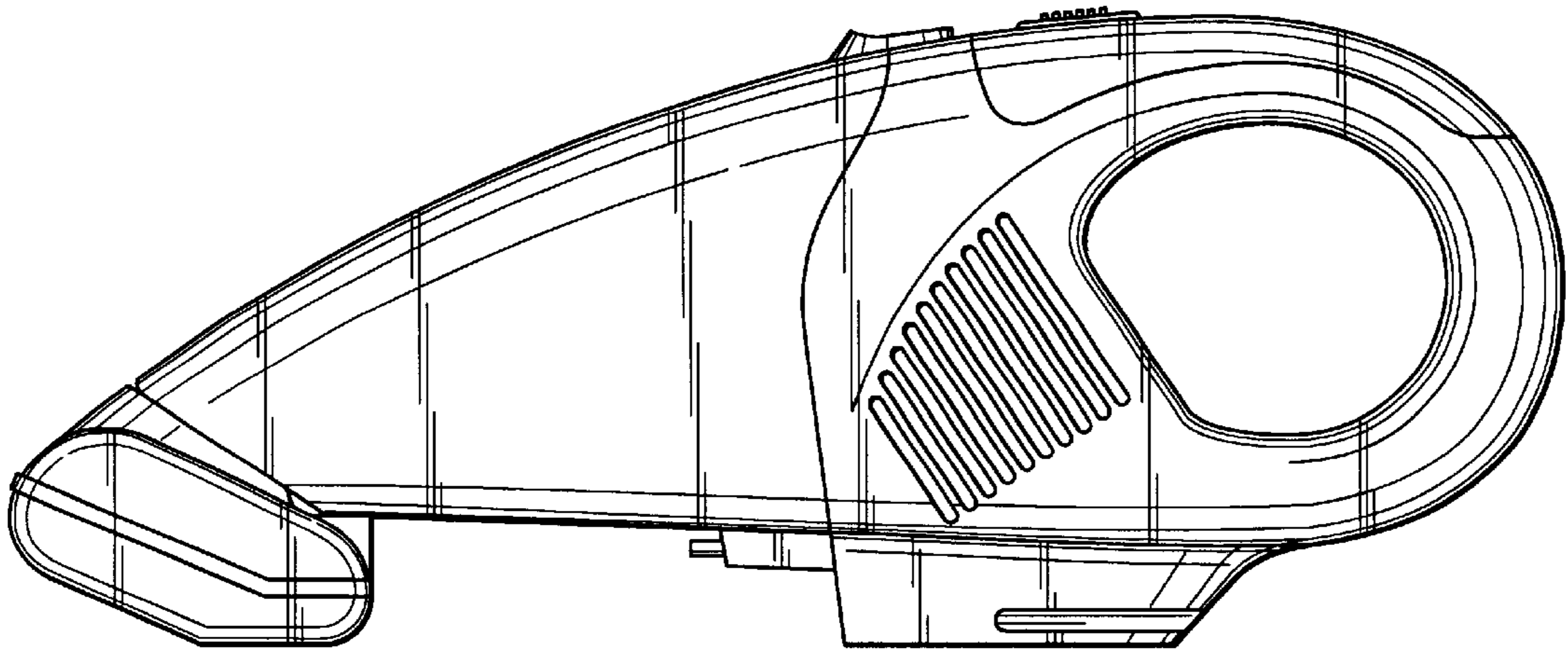


FIG. 4

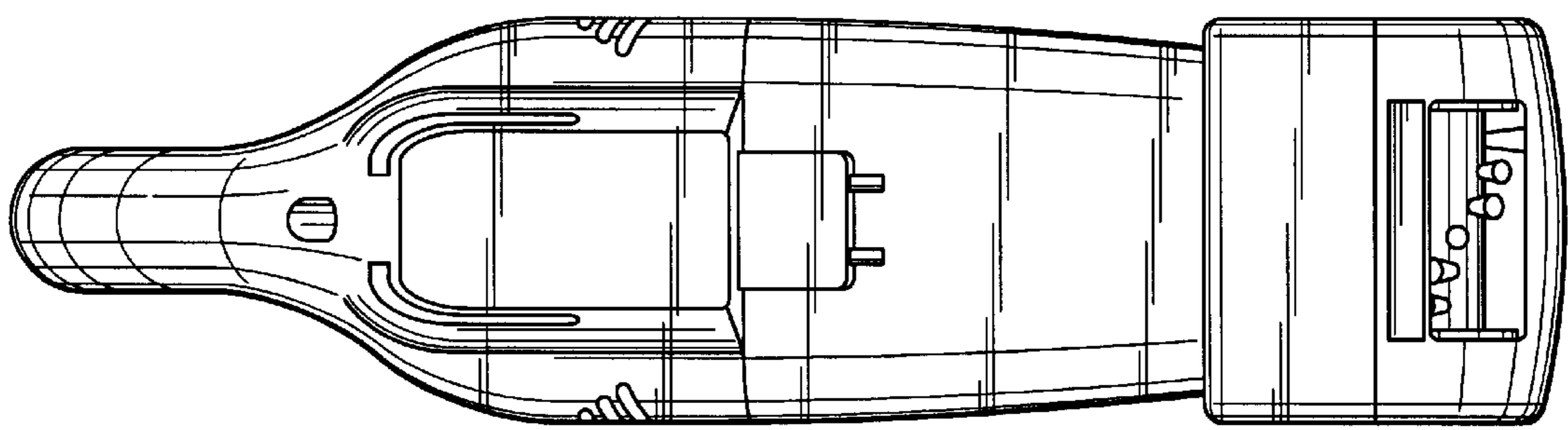


FIG. 5

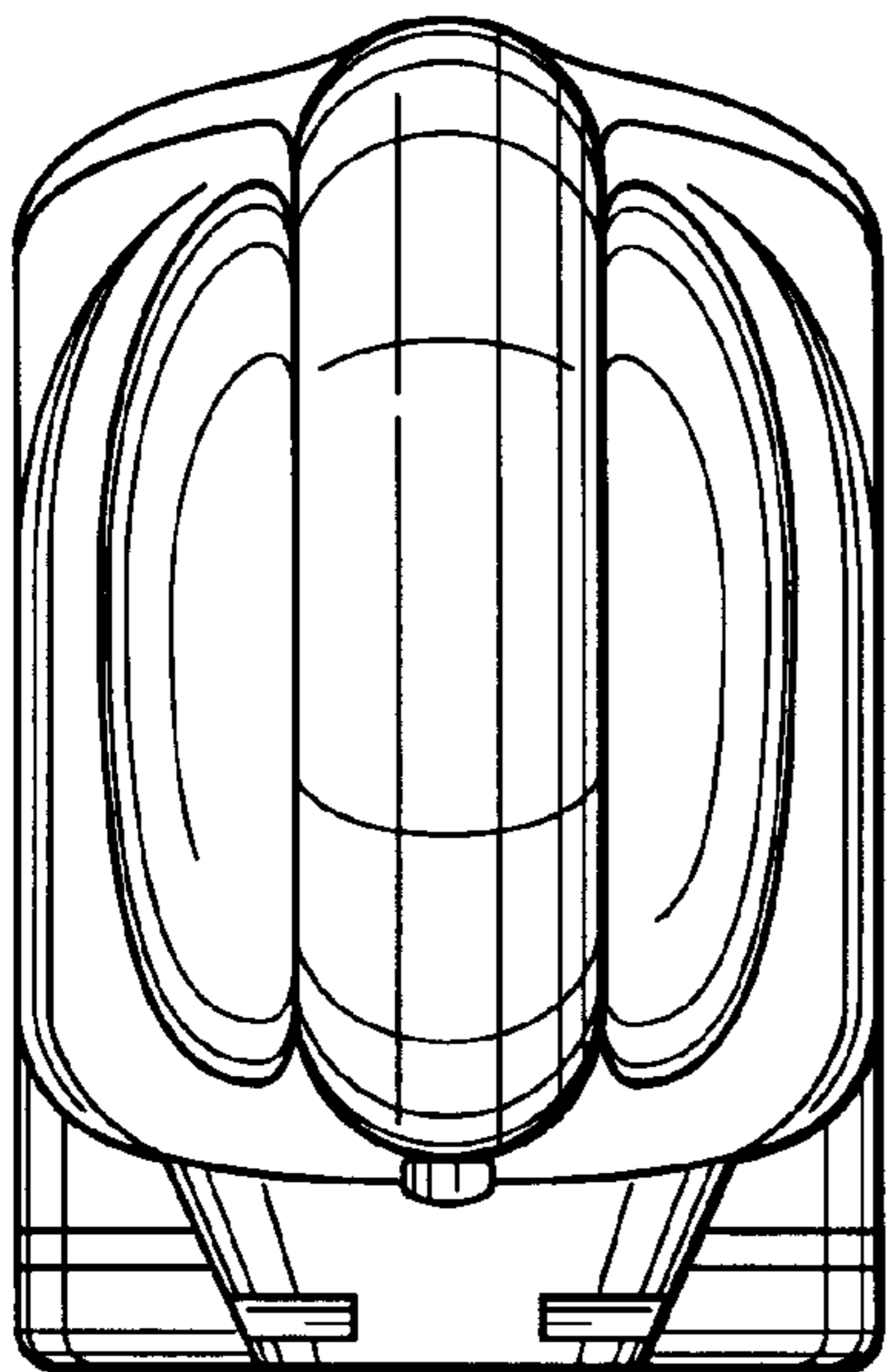


FIG. 6

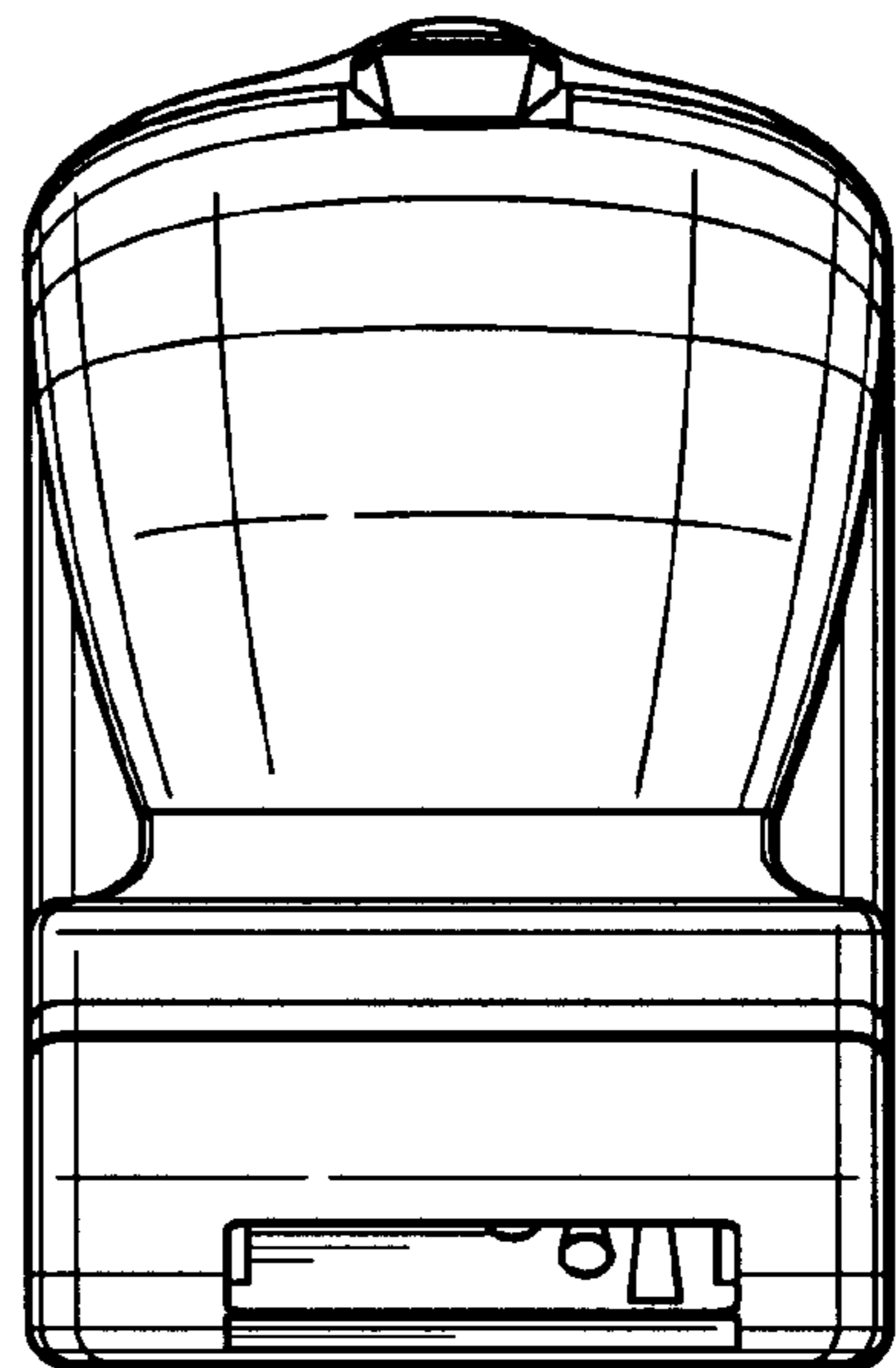


FIG. 7