



US00D45952S

(12) **United States Design Patent**  
**Poon**

(10) **Patent No.:** **US D459,552 S**  
(45) **Date of Patent:** **\*\* Jun. 25, 2002**

(54) **LIPSTICK CASE**

**FOREIGN PATENT DOCUMENTS**

FR 1020596 \* 2/1953 ..... 132/288

\* cited by examiner

*Primary Examiner*—Ted Shooman

*Assistant Examiner*—C. Tuttle

(76) **Inventor:** **Chi Wai Patrick Poon**, 15 Hing Yip Street, Kwun Tong, Hong Kong (CN)

(\*\*) **Term:** **14 Years**

(57) **CLAIM**

(21) **Appl. No.:** **29/133,871**

The ornamental design for a lipstick case, as shown and described.

(22) **Filed:** **Dec. 11, 2000**

**DESCRIPTION**

(51) **LOC (7) Cl.** ..... **28-03**

FIG. 1 is a top perspective view of a lipstick case according to my new design;

(52) **U.S. Cl.** ..... **D28/85; D28/76; D28/77**

FIG. 2 is a top perspective view of the lipstick case of FIG. 1 with the lid in its open position,

(58) **Field of Search** ..... D28/73, 76-90; D3/205, 273-275, 294-295, 901; D9/420, 423; 132/286-307, 314-318; 206/235, 581, 823; 220/DIG. 26

FIG. 3 is a left side elevation view of the lipstick case of FIG. 1;

(56) **References Cited**

FIG. 4 is a top plan view of the lipstick case of FIG. 1;

**U.S. PATENT DOCUMENTS**

FIG. 5 is a right side elevation view of the lipstick case of FIG. 1;

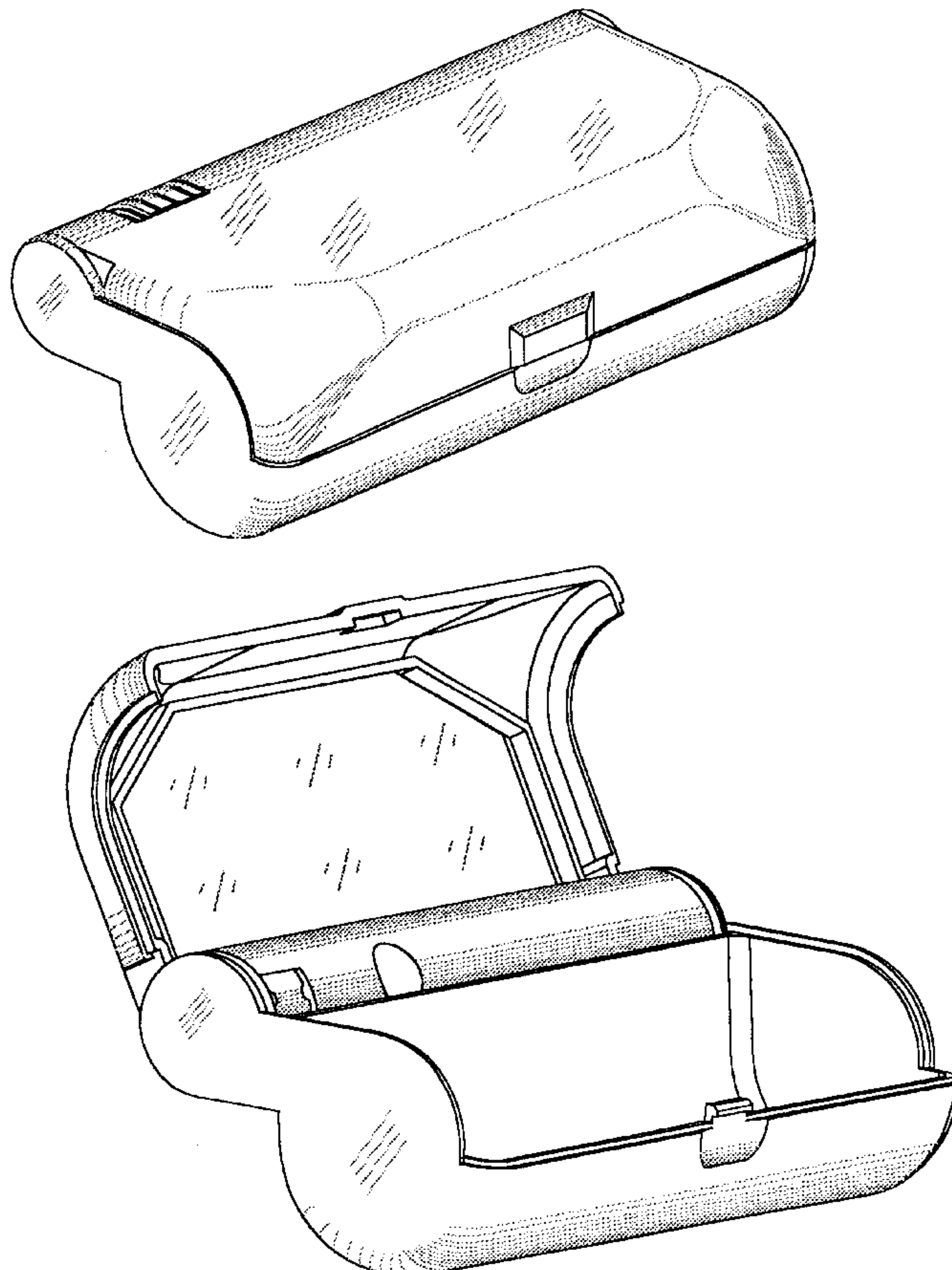
D93,415 S	*	9/1934	Loewy	.....	D28/78
D192,960 S	*	6/1962	Buderman	.....	D3/205
3,185,831 A	*	5/1965	Ray et al.	.....	D28/78
D285,128 S	*	8/1986	Yuen	.....	D28/85
D285,371 S	*	8/1986	Tong	.....	D28/78
D354,848 S	*	1/1995	Lovell	.....	D3/205
D360,525 S	*	7/1995	Entwistle	.....	D3/273

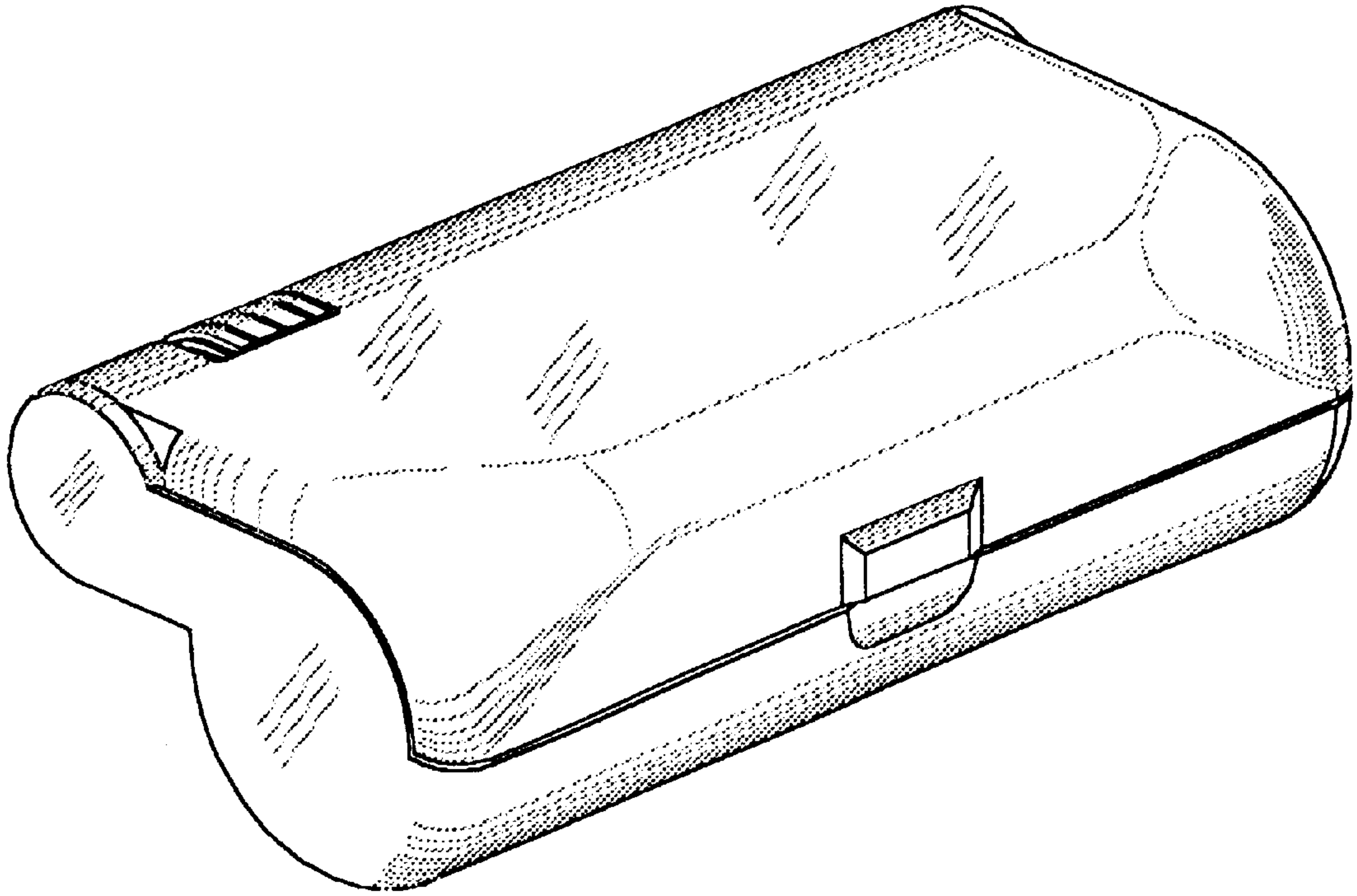
FIG. 6 is a front elevation view of the lipstick case of FIG. 1;

FIG. 7 is a rear elevation view of the lipstick case of FIG. 1; and,

FIG. 8 is a bottom plan view of the lipstick case of FIG. 1.

**1 Claim, 8 Drawing Sheets**





*Figure 1*

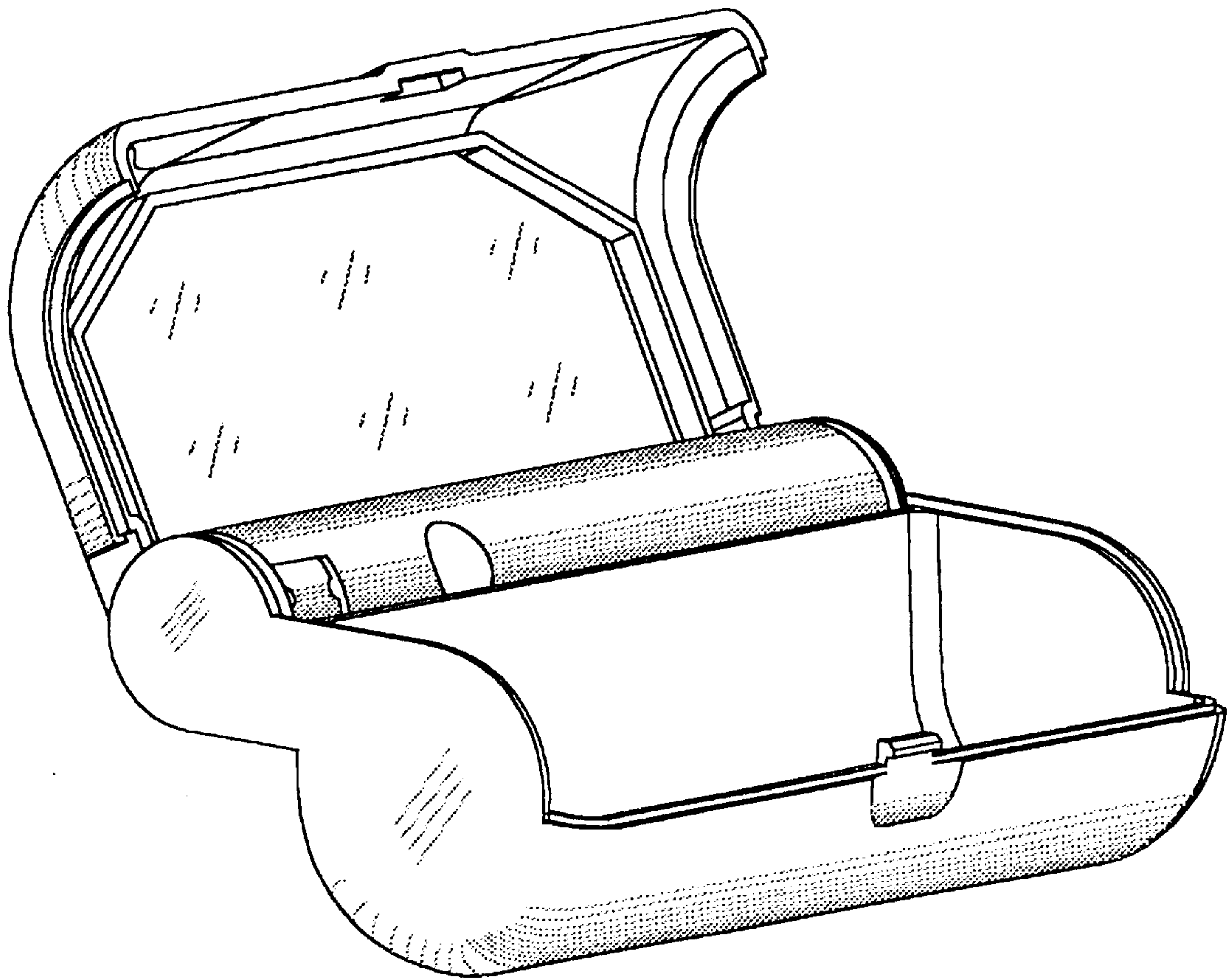
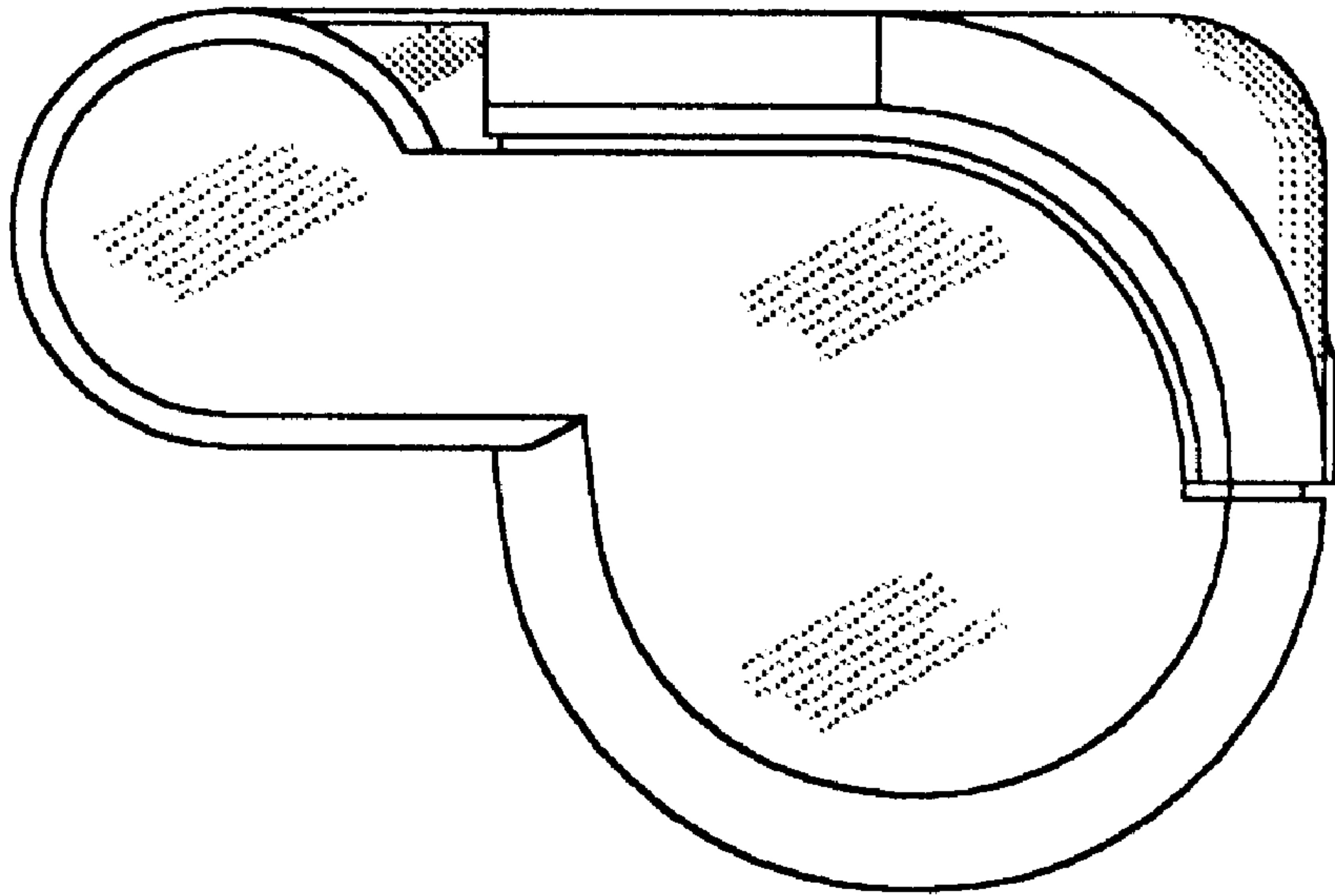
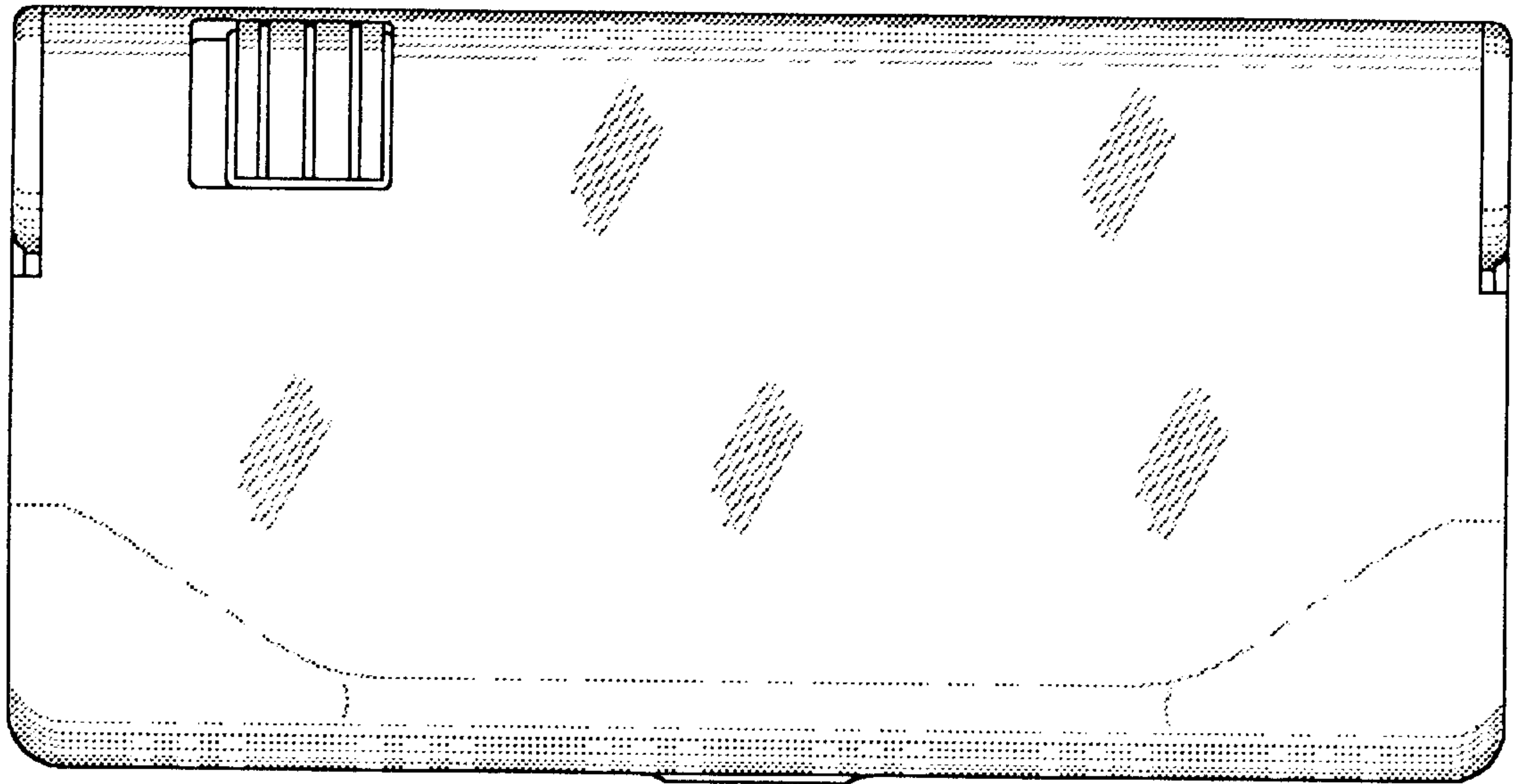


Figure 2

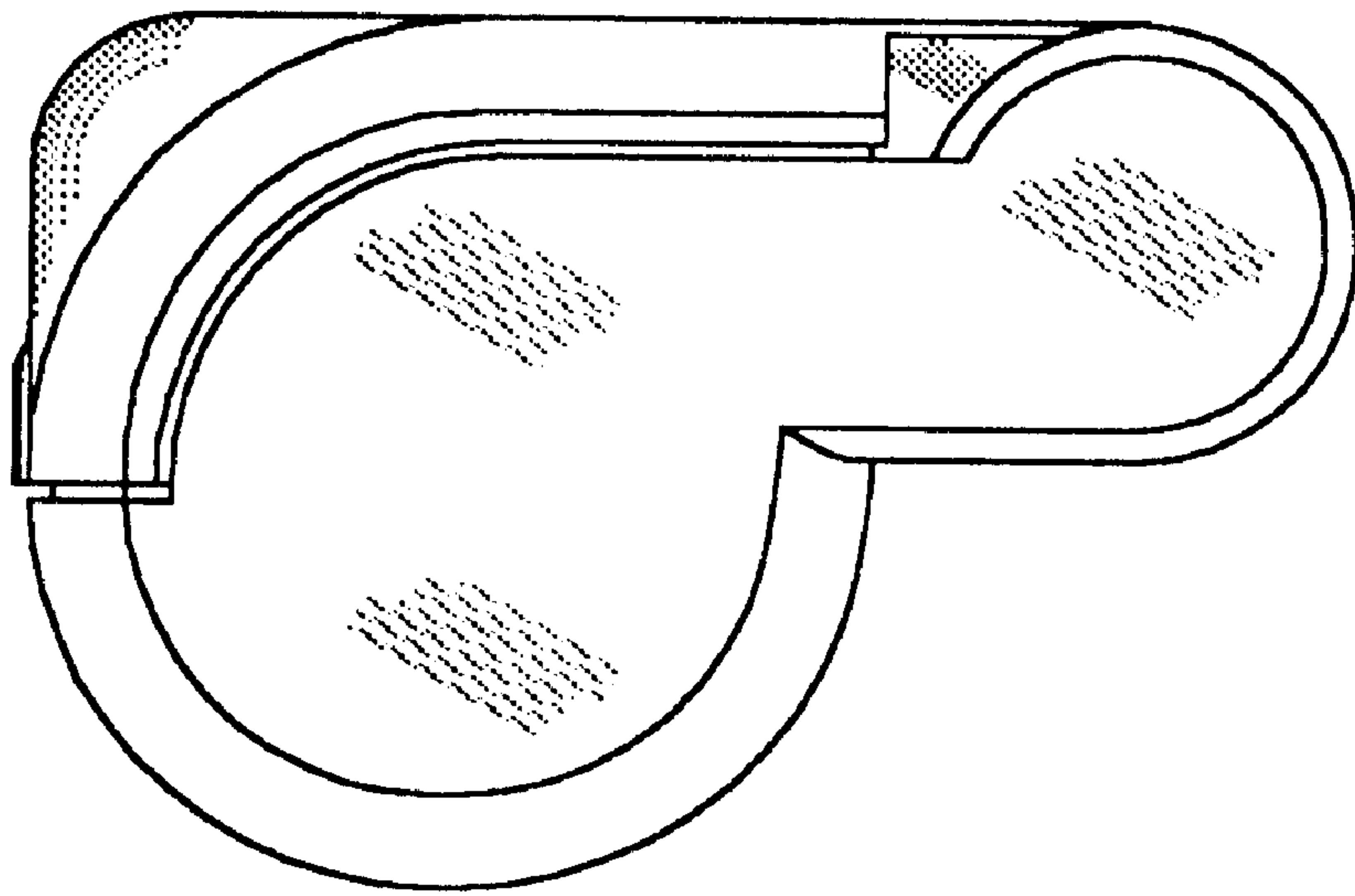


**Figure 3**



**Figure 4**





**Figure 5**

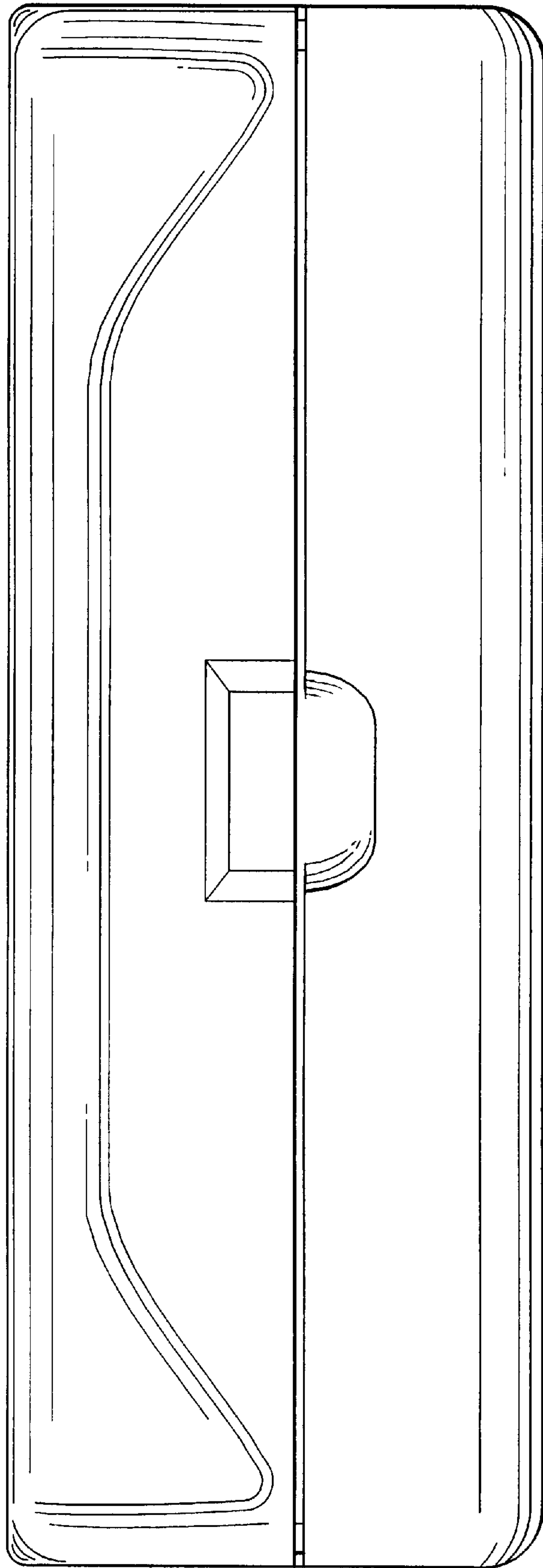


FIG. 6

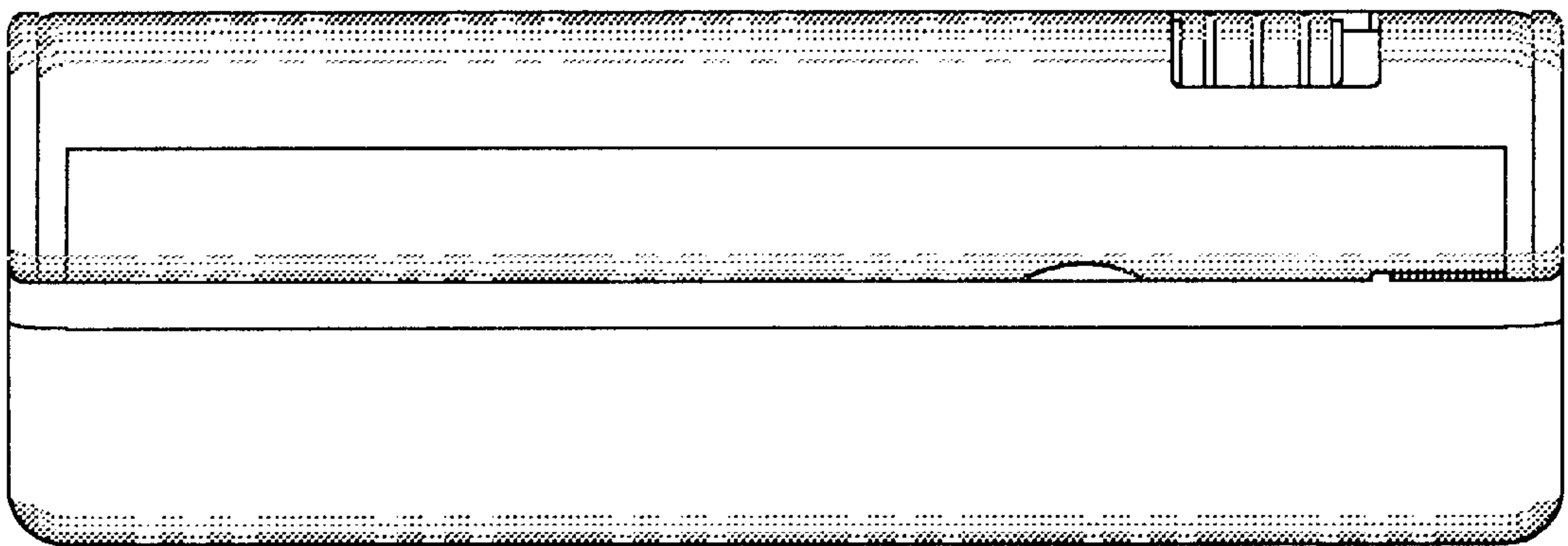


Figure 7



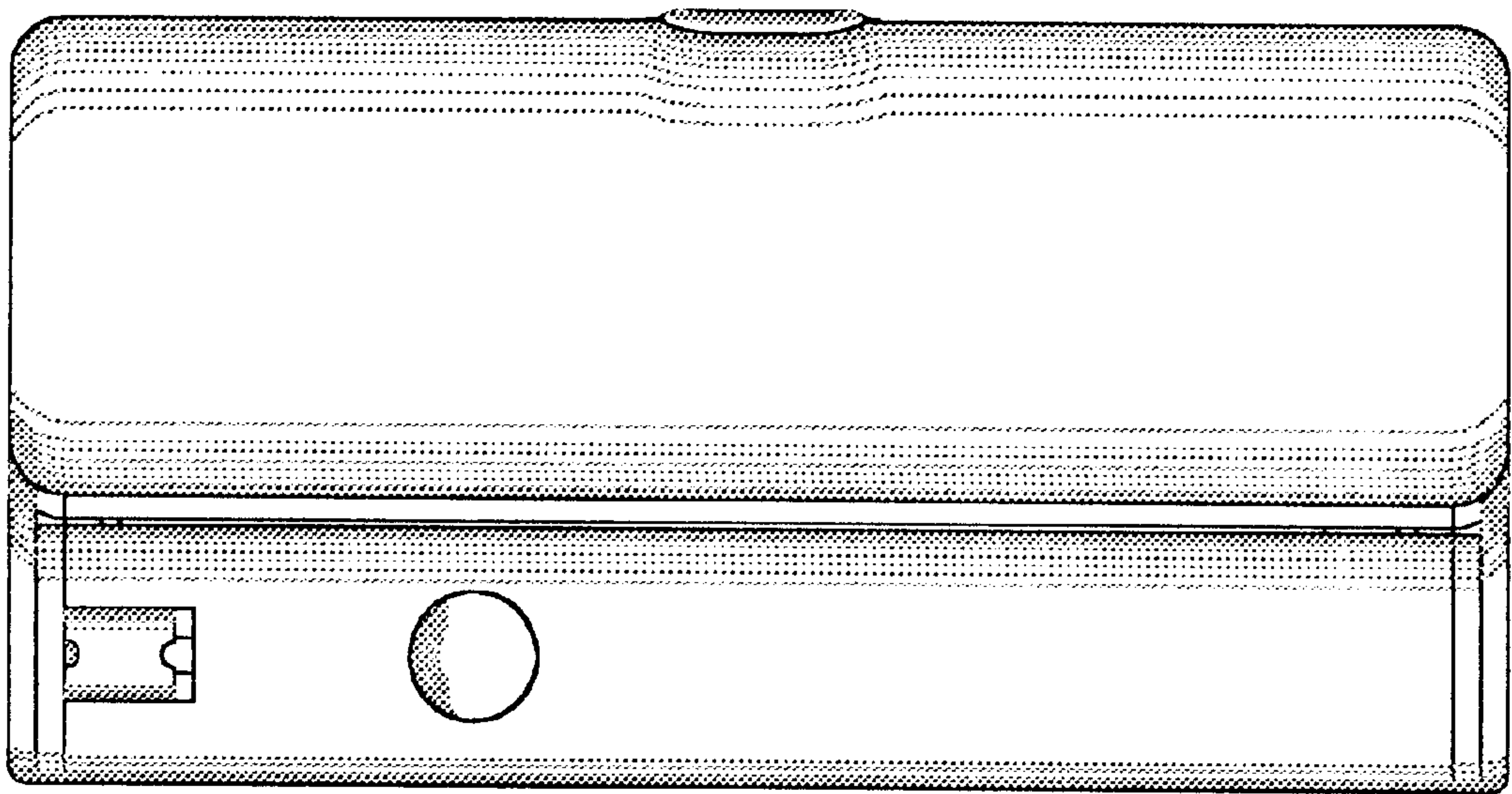


Figure 8