



US00D459549S

(12) **United States Design Patent**  
**Savoie**

(10) **Patent No.:** **US D459,549 S**  
(45) **Date of Patent:** **\*\* Jun. 25, 2002**

(54) **NAIL CLIPPER**

(76) Inventor: **Mitch J Savoie**, P.O. Box 795, Cut Off,  
LA (US) 70345

(\*\*) Term: **14 Years**

(21) Appl. No.: **29/150,859**

(22) Filed: **Nov. 30, 2001**

(51) **LOC (7) Cl.** ..... **28-03**

(52) **U.S. Cl.** ..... **D28/60**

(58) **Field of Search** ..... D28/56, 60, 62;  
30/26, 28; 132/73, 73.5, 75, 75.3, 75.4,  
75.5, 75.6

(56) **References Cited**

**U.S. PATENT DOCUMENTS**

D211,299 S	*	6/1968	D'Elia	.....	D28/60
3,997,966 A	*	12/1976	Sartore	.....	30/28
4,196,514 A	*	4/1980	Merriman	.....	30/28
D266,480 S	*	10/1982	Reel	.....	D28/60 X
4,602,430 A		7/1986	Allen, Jr.		
D286,091 S	*	10/1986	Hill	.....	D28/60
4,637,137 A	*	1/1987	Husain	.....	30/28
4,644,644 A		2/1987	Elsholz		

D301,639 S		6/1989	Husain		
D329,306 S		9/1992	Rommerdale		
5,357,676 A		10/1994	Bannett		
5,357,677 A		10/1994	West		
5,384,960 A	*	1/1995	Tottenham	.....	30/28
D371,636 S	*	7/1996	O'Neal	.....	D28/60

\* cited by examiner

*Primary Examiner*—Ted Shooman  
*Assistant Examiner*—C. Tuttle

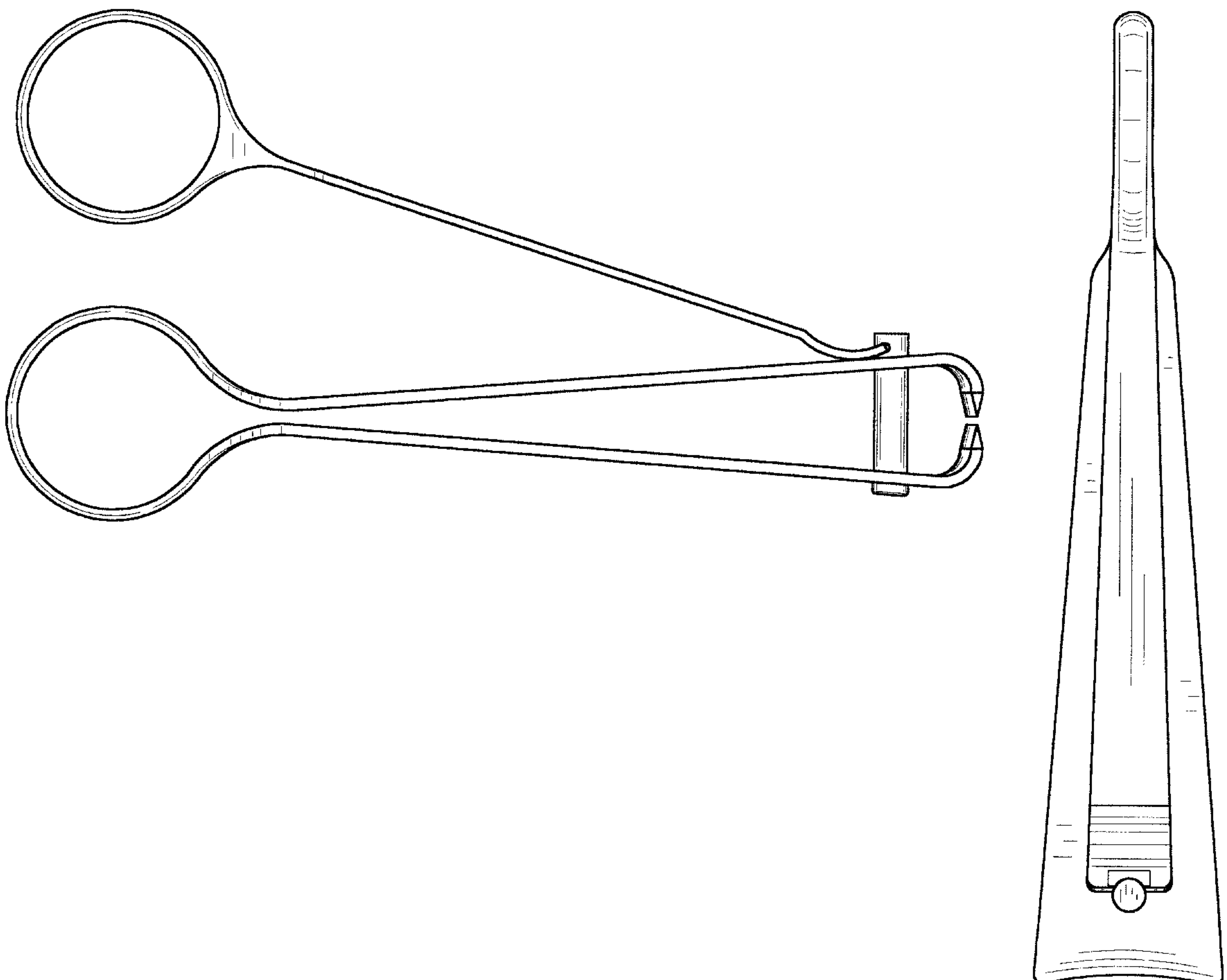
(57) **CLAIM**

The ornamental design for a nail clipper, as shown and described.

**DESCRIPTION**

FIG. 1 is a front elevational view of the nail clipper of the present invention;  
FIG. 2 is a rear elevational view of the nail clipper of FIG. 1;  
FIG. 3 is a left side elevational view of the nail clipper of FIG. 1, the right view being a mirror image thereof;  
FIG. 4 is a top plan view of the nail clipper of FIG. 1; and,  
FIG. 5 is a bottom plan view of the nail clipper of FIG. 1.

**1 Claim, 3 Drawing Sheets**



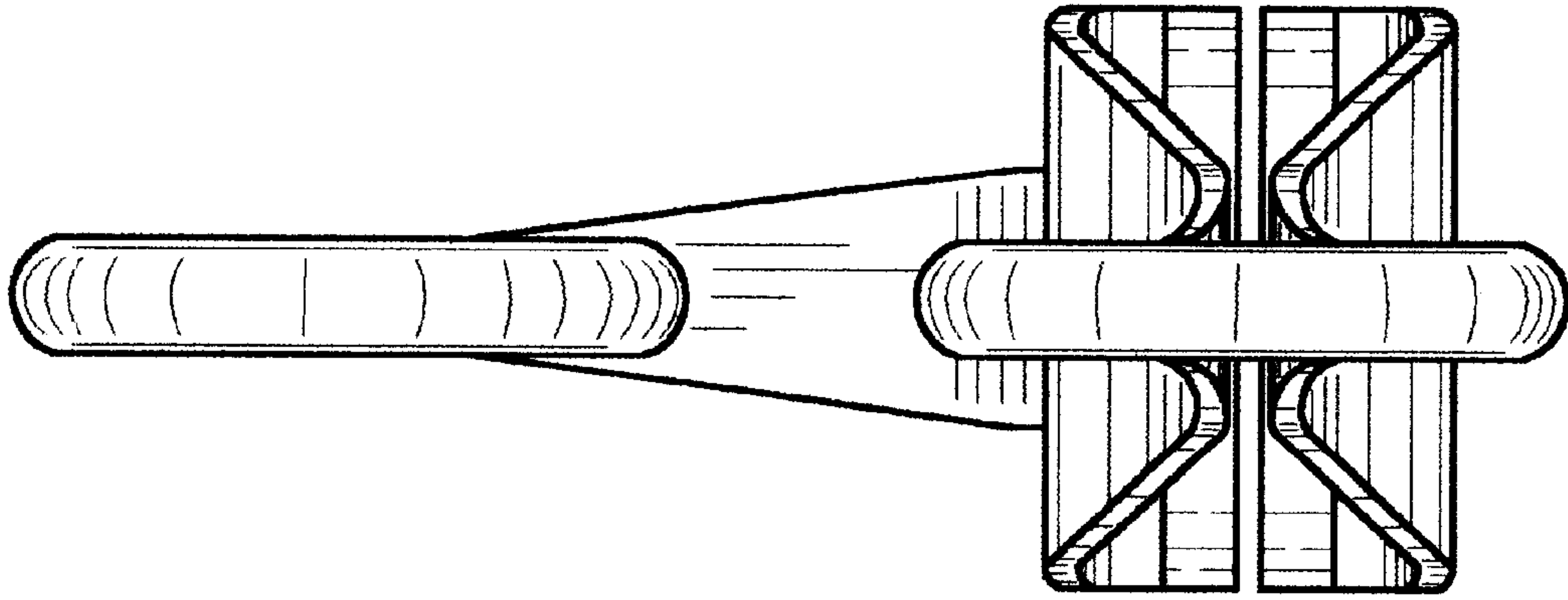


FIG. 2

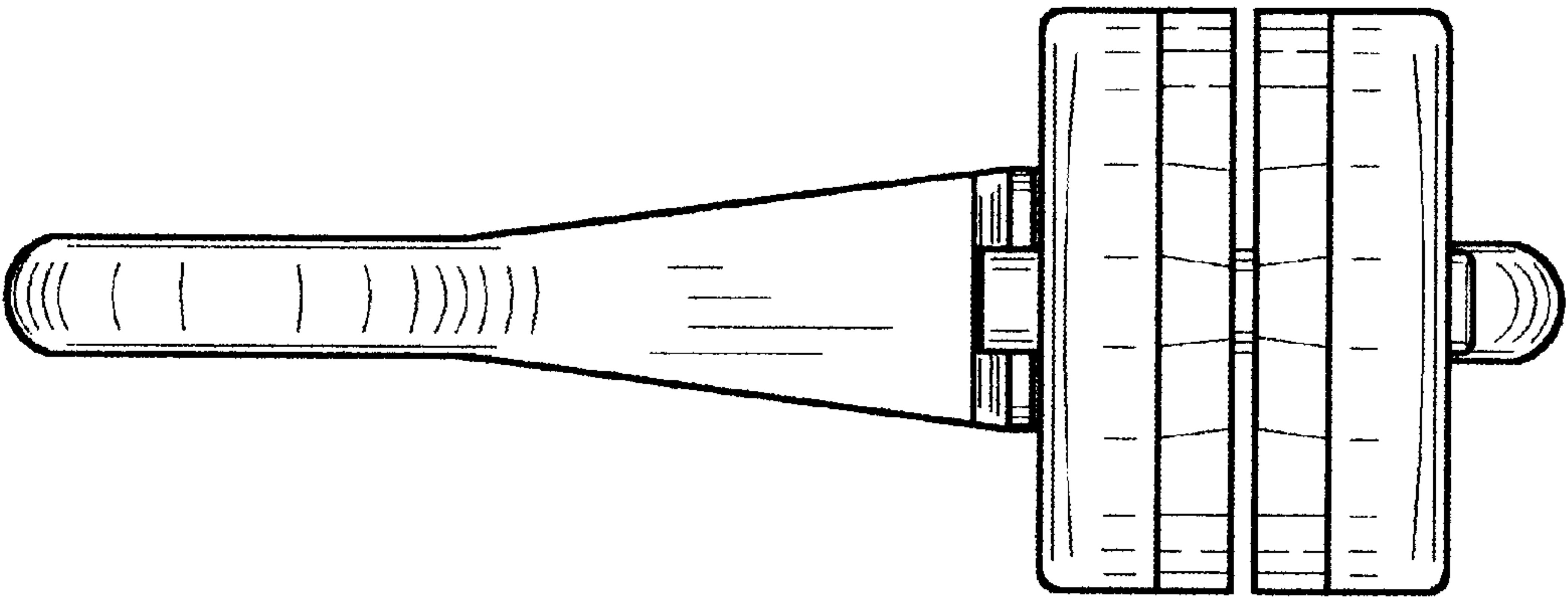


FIG. 1

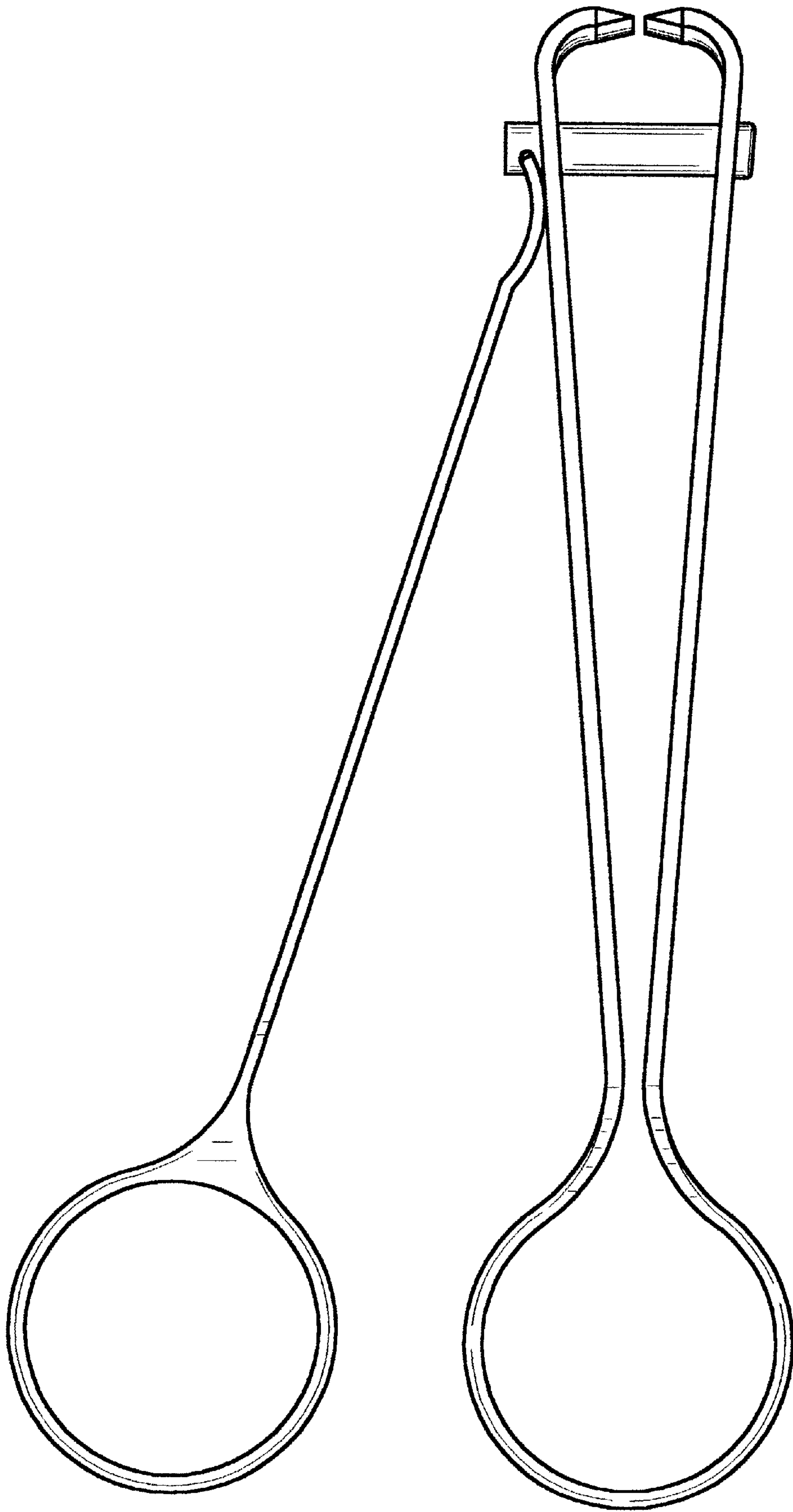


FIG. 3

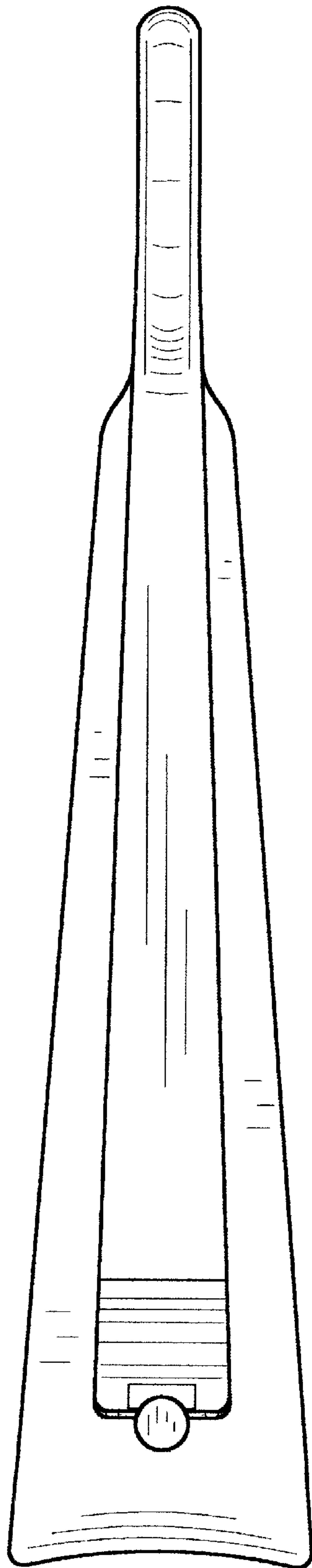


FIG. 4

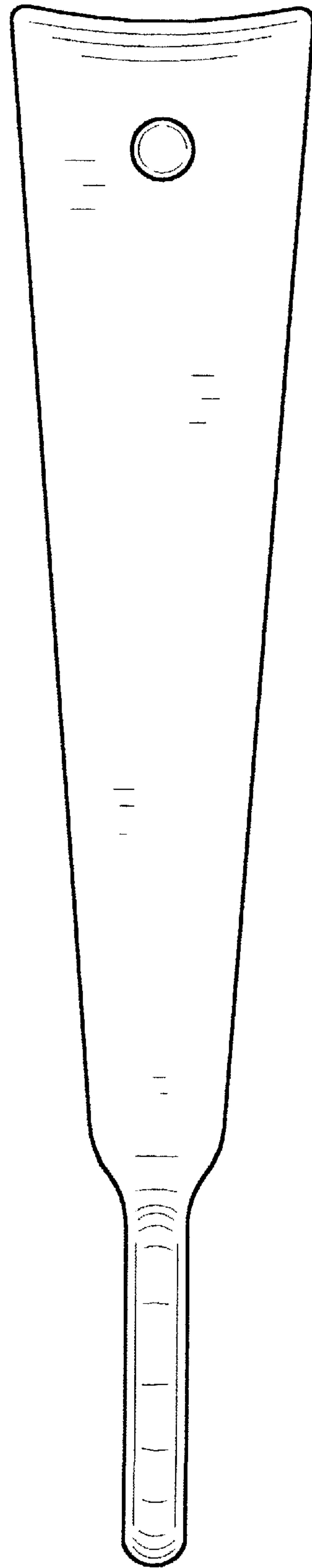


FIG. 5