



US00D459544S

(12) **United States Design Patent**
Nash

(10) **Patent No.: US D459,544 S**

(45) **Date of Patent: ** Jun. 25, 2002**

(54) **SUN SCREEN BACK APPLICATOR**

(76) Inventor: **Robert P. Nash**, 12885 Pineforest Way
West, Largo, FL (US) 33773

(**) Term: **14 Years**

(21) Appl. No.: **29/153,320**

(22) Filed: **Oct. 27, 2001**

(51) **LOC (7) Cl. 28-02**

(52) **U.S. Cl. D28/7; D28/63**

(58) **Field of Search D28/7, 63, 91.2,**
D28/8; D24/119; D4/125, 126; D9/338,
314; 132/320; D32/43, 45, 51; 15/104.94,
244.1, 244.2; 401/203, 204, 205, 207, 263,
261, 196, 198, 264, 138, 139

(56) **References Cited**

U.S. PATENT DOCUMENTS

D300,959 S	*	5/1989	Gray	D28/7
4,861,180 A	*	8/1989	Adams	401/204
D306,082 S	*	2/1990	Kidd	D28/7
D367,137 S	*	2/1996	Pollak et al.	D28/7
5,566,418 A	*	10/1996	Steffen et al.	15/244.1

D384,436 S	*	9/1997	Kelley	D28/7
D416,354 S	*	11/1999	Thompson	D28/7
D424,237 S	*	5/2000	Harty et al.	D28/7
D438,339 S	*	2/2001	Negrete et al.	D28/7

* cited by examiner

Primary Examiner—Lucy Lieberman

(74) *Attorney, Agent, or Firm*—Larson & Larson, P.A.;
James E. Larson

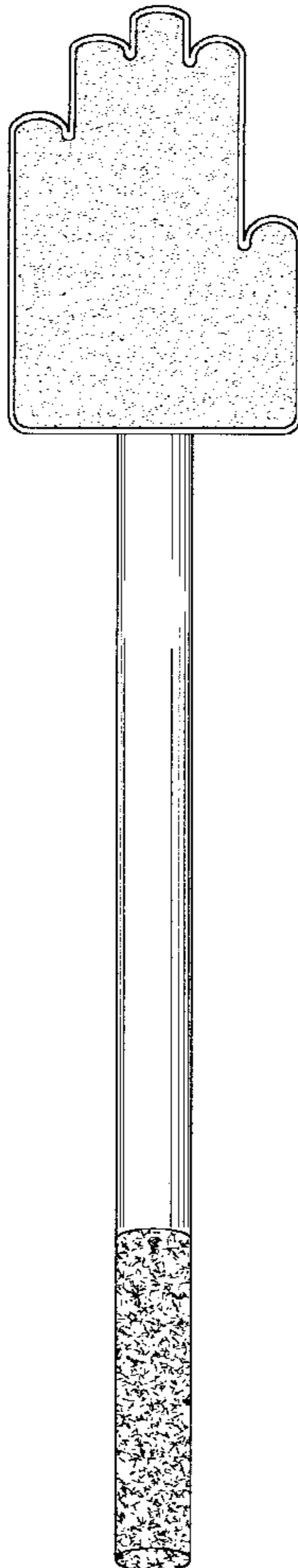
(57) **CLAIM**

The ornamental design for a sun screen back applicator, as shown and described.

DESCRIPTION

FIG. 1 is a front elevational view of a sun screen back applicator showing my novel design; FIG. 2 is a rear elevational view thereof; FIG. 3 is a left side view thereof; FIG. 4 is a right side view thereof; FIG. 5 is a top plan view thereof; and, FIG. 6 is a bottom plan view of the sun screen back applicator of the present invention.

1 Claim, 3 Drawing Sheets



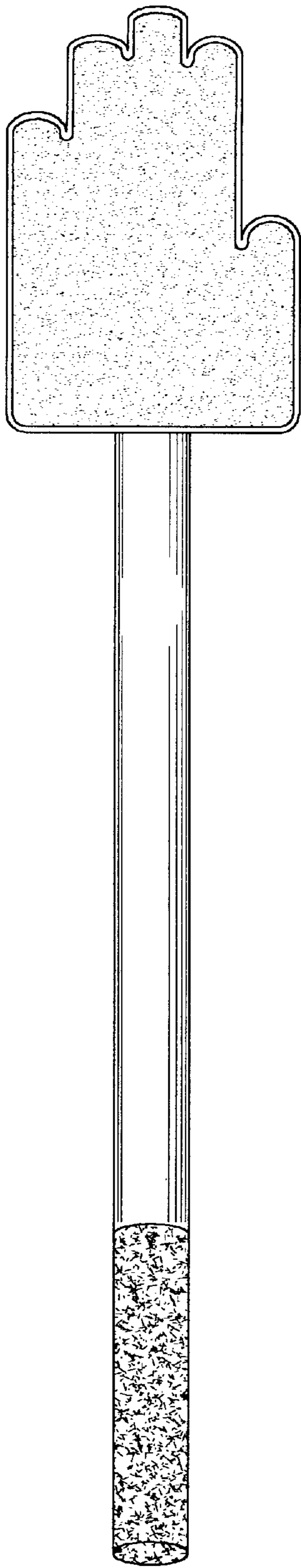


FIG. 1

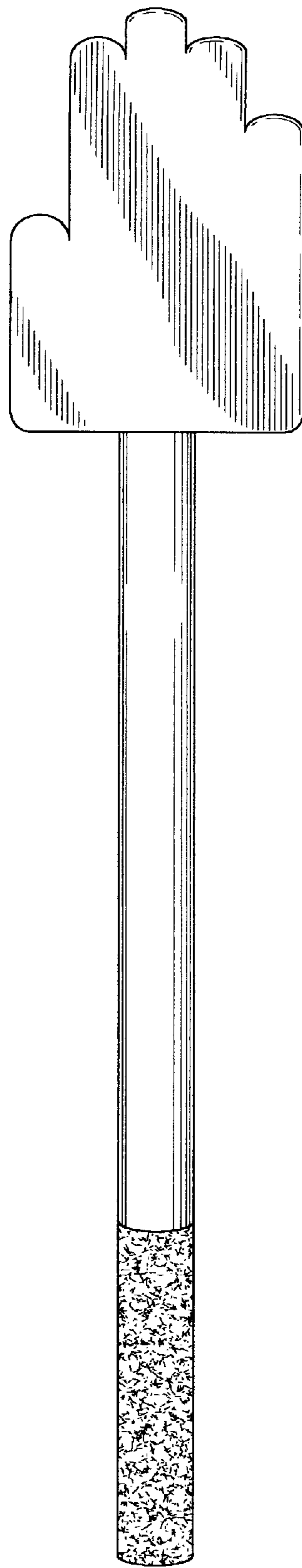


FIG. 2

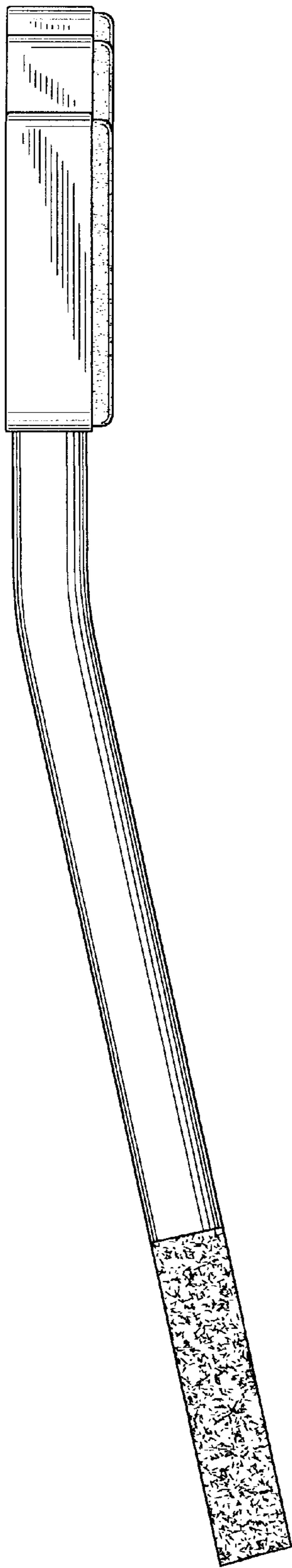


FIG. 3

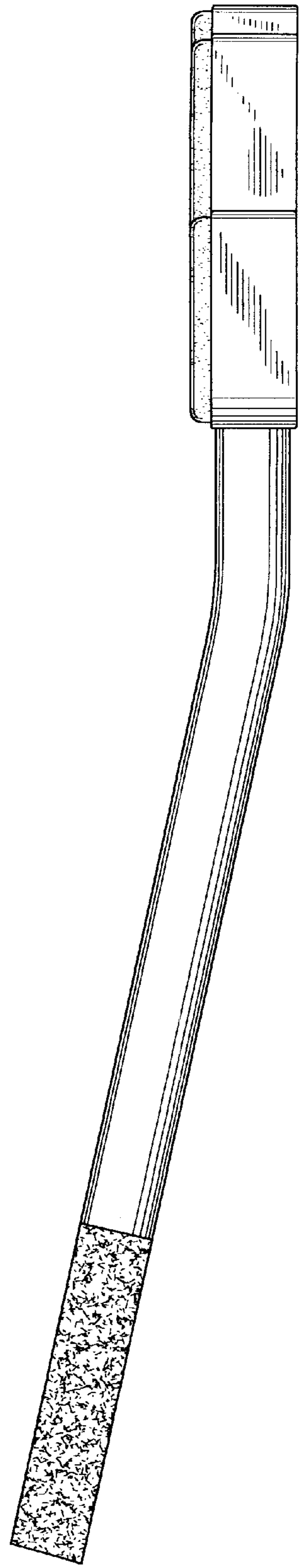


FIG. 4

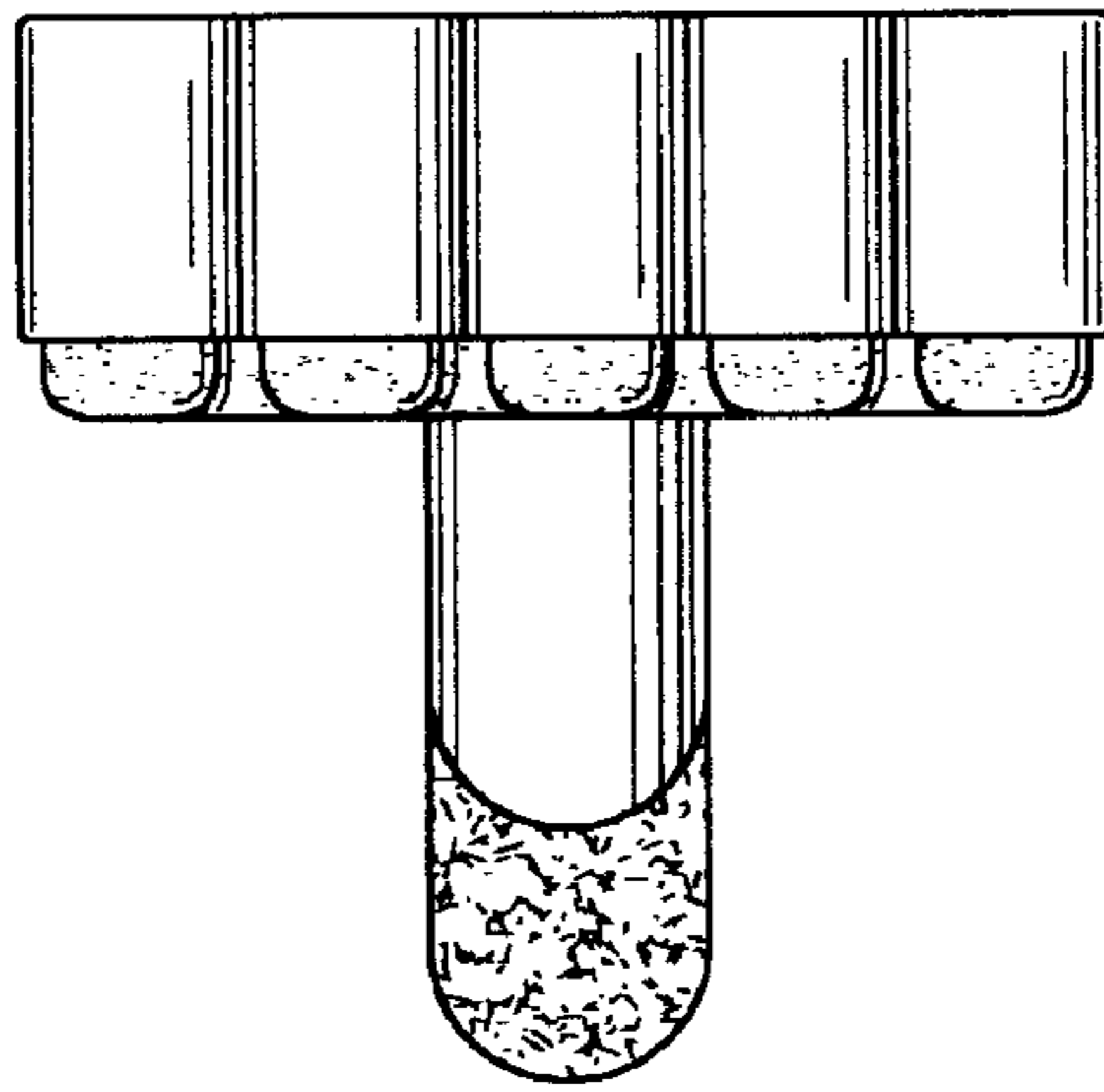


FIG. 5

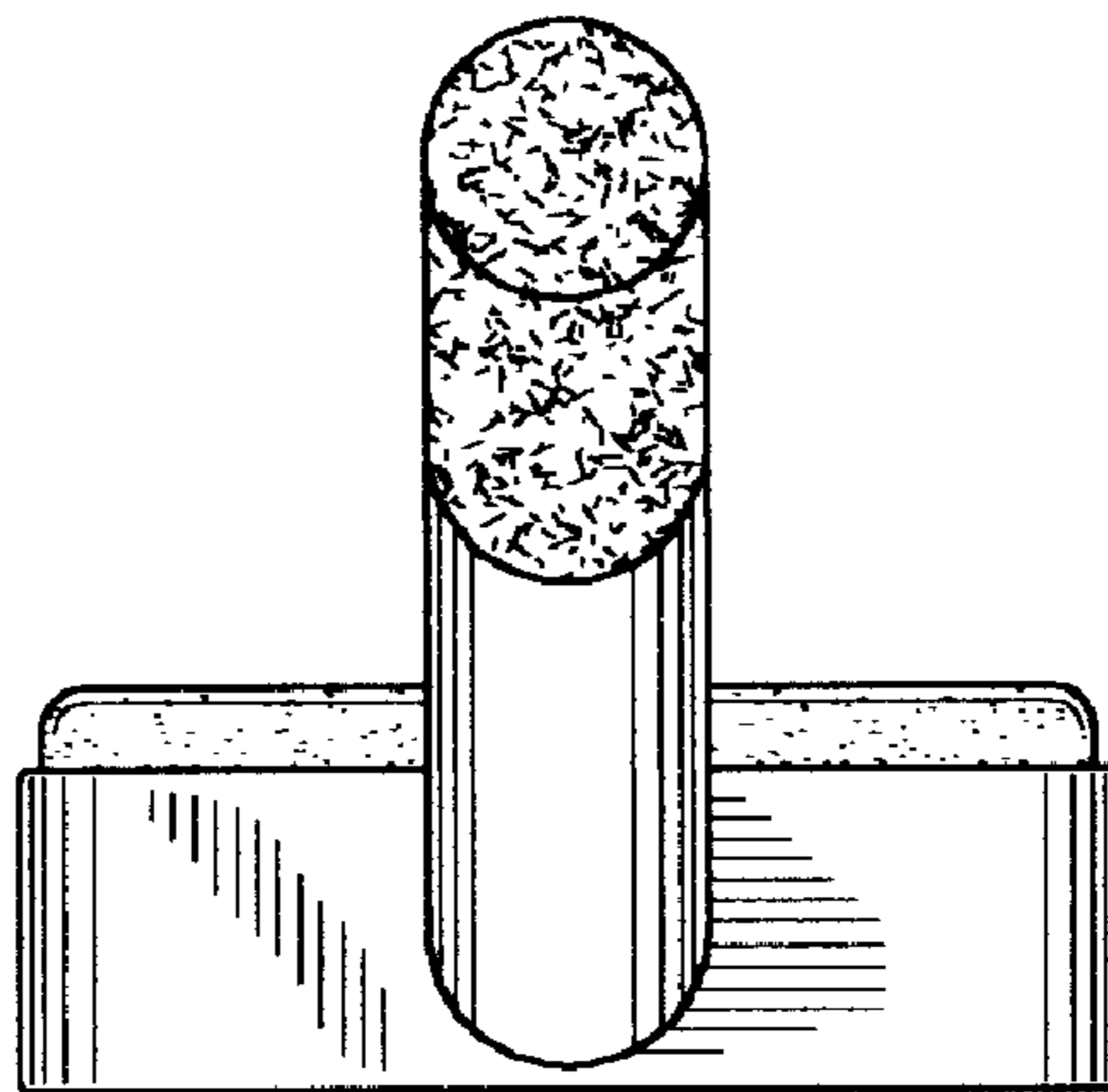


FIG. 6