



US00D459541S

(12) **United States Design Patent**
Richmond

(10) **Patent No.:** **US D459,541 S**

(45) **Date of Patent:** **** Jun. 25, 2002**

(54) **SHOTGUN SHELL CIGARETTE LIGHTER**

(74) *Attorney, Agent, or Firm*—Richard J. Poe

(76) **Inventor:** **Sid Richmond**, 524 N. Maple, North Little Rock, AR (US) 72114

(57) **CLAIM**

(**) **Term:** **14 Years**

The ornamental design for a shotgun shell cigarette lighter, as shown and described.

(21) **Appl. No.:** **29/144,888**

DESCRIPTION

(22) **Filed:** **Jul. 11, 2001**

(51) **LOC (7) Cl.** **27-05**

(52) **U.S. Cl.** **D27/148; D27/157**

(58) **Field of Search** D27/148, 141, D27/152, 154, 155, 157, 159; 431/141, 142, 143, 132, 254–256, 273, 274, 277

FIG. 1 is a perspective view of the shotgun shell cigarette lighter with the lid open;

FIG. 2 is a top plan view of the shotgun shell cigarette lighter with the lid closed;

FIG. 3 is a side view thereof;

FIG. 4 is a bottom plan view thereof;

FIG. 5 is a rear view thereof;

FIG. 6 is a front view thereof;

FIG. 7 is a top view of the shotgun shell cigarette lighter with the lid open;

FIG. 8 is a side view thereof;

FIG. 9 is a rear view thereof; and,

FIG. 10 is a front view thereof.

The broken line environmental showing is for illustrative purposes only and forms no part of the claimed design.

(56) **References Cited**

U.S. PATENT DOCUMENTS

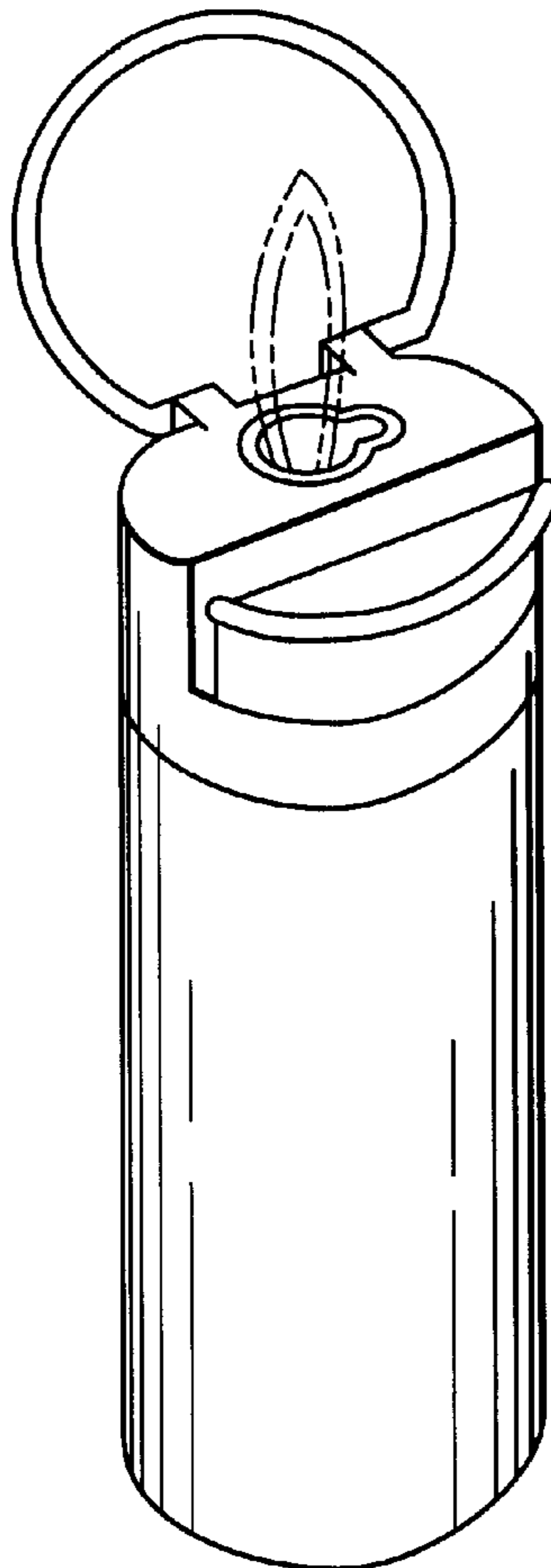
D225,891 S * 1/1973 Strzelczyk D27/157

D441,495 S * 5/2001 Lin D27/154

* cited by examiner

Primary Examiner—Jennifer Rivard

1 Claim, 3 Drawing Sheets



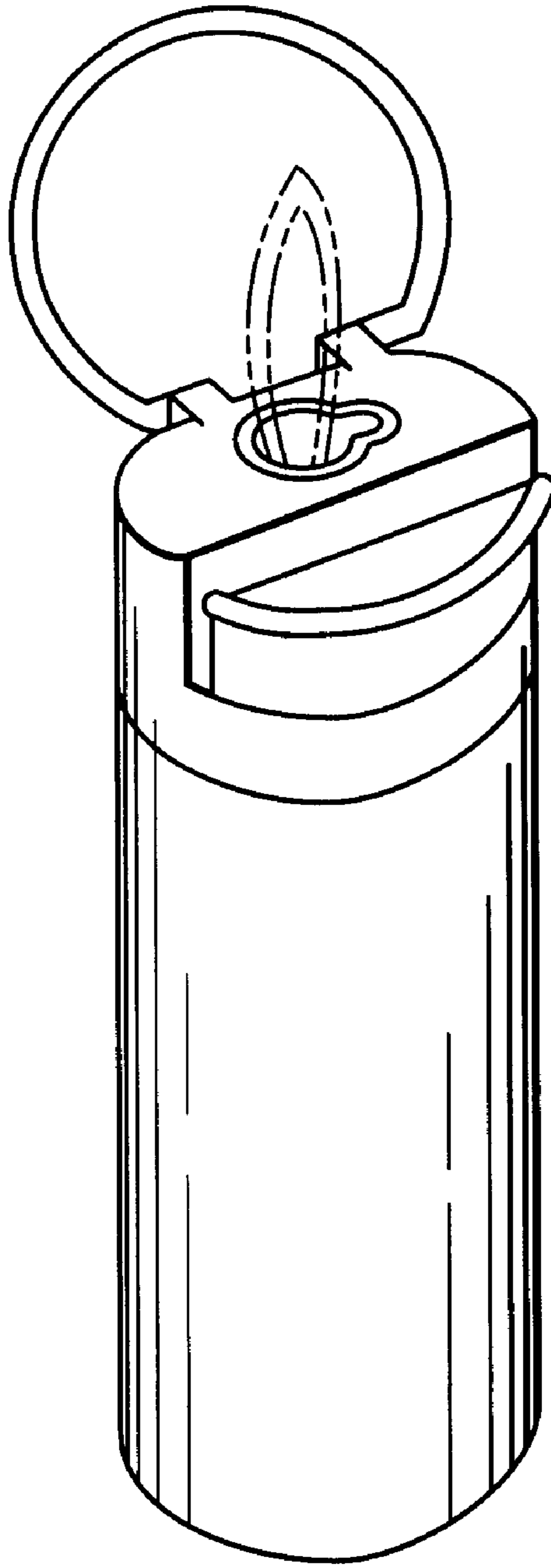


FIG. 1

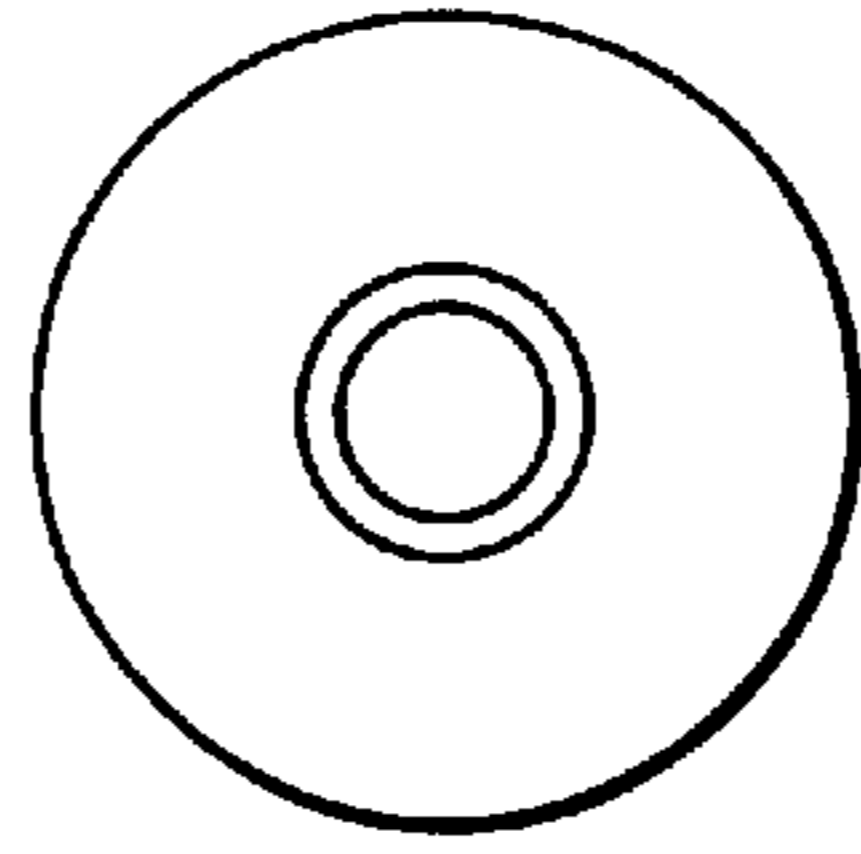


FIG. 2

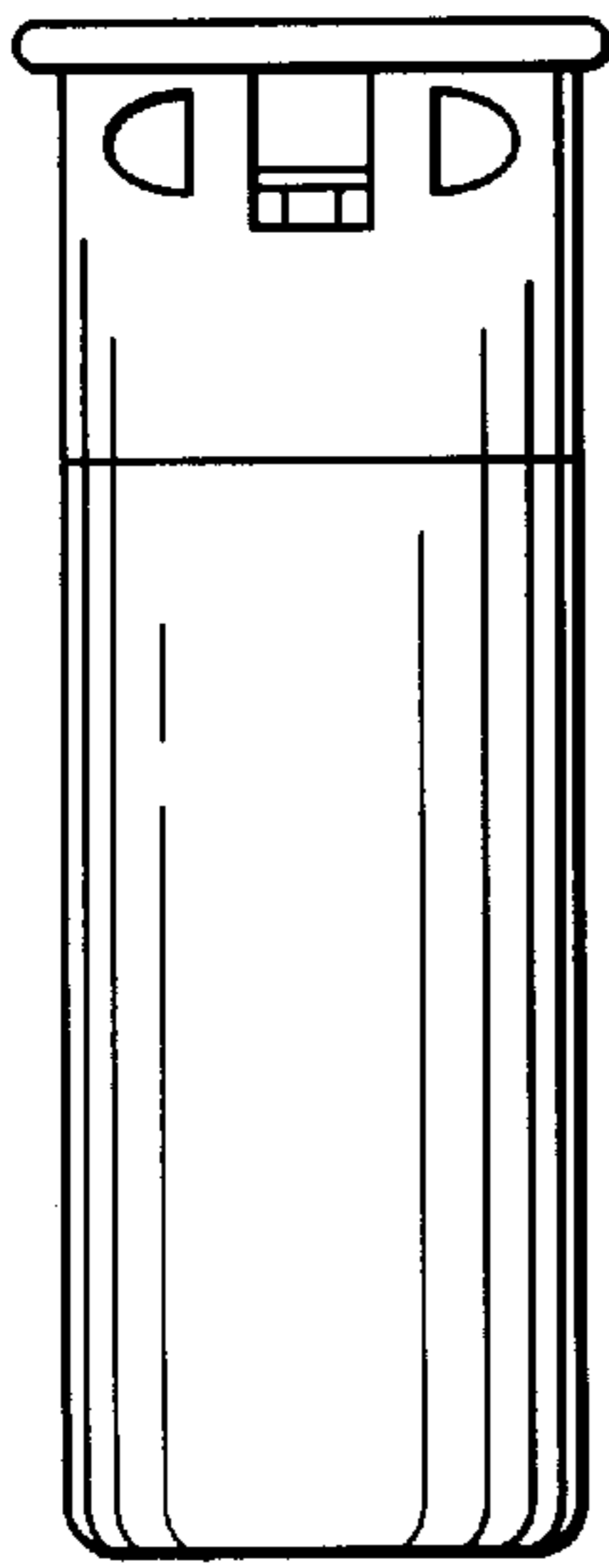


FIG. 5

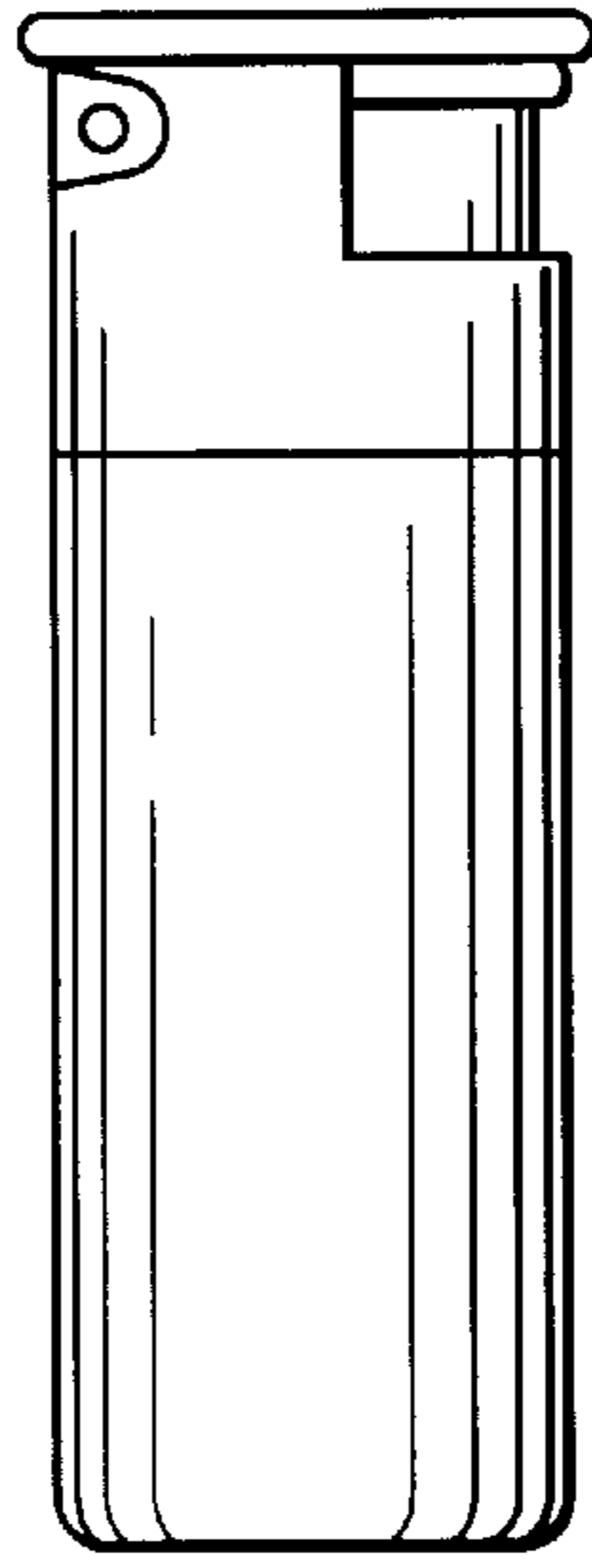


FIG. 3

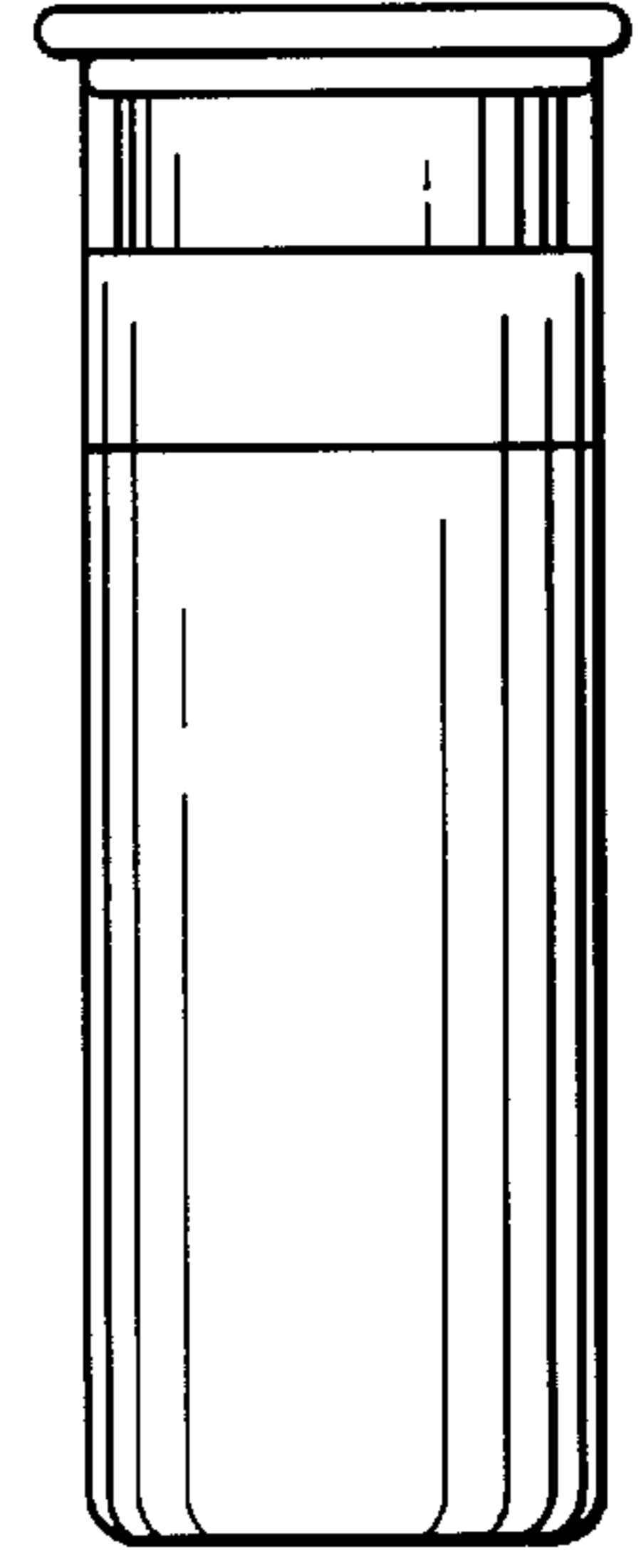


FIG. 6

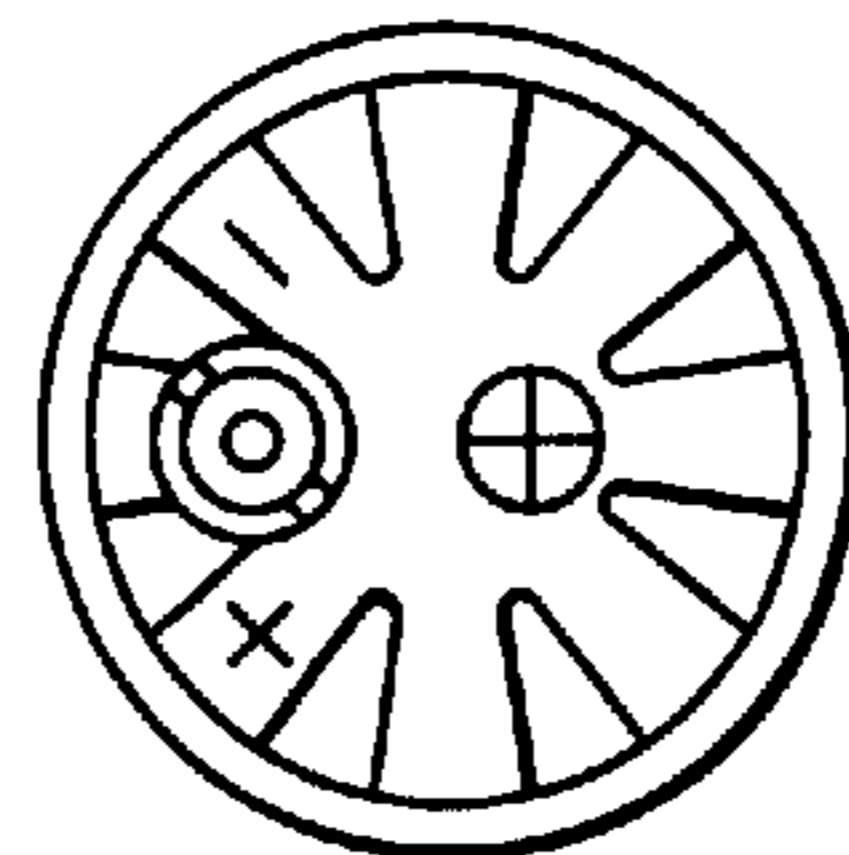


FIG. 4

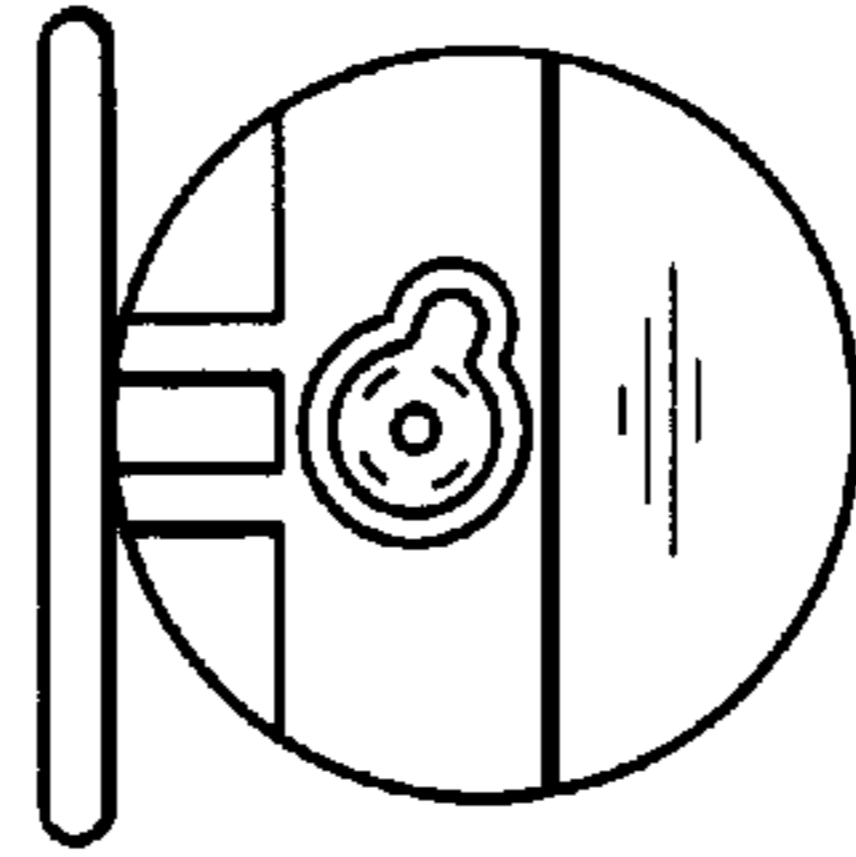


FIG. 7

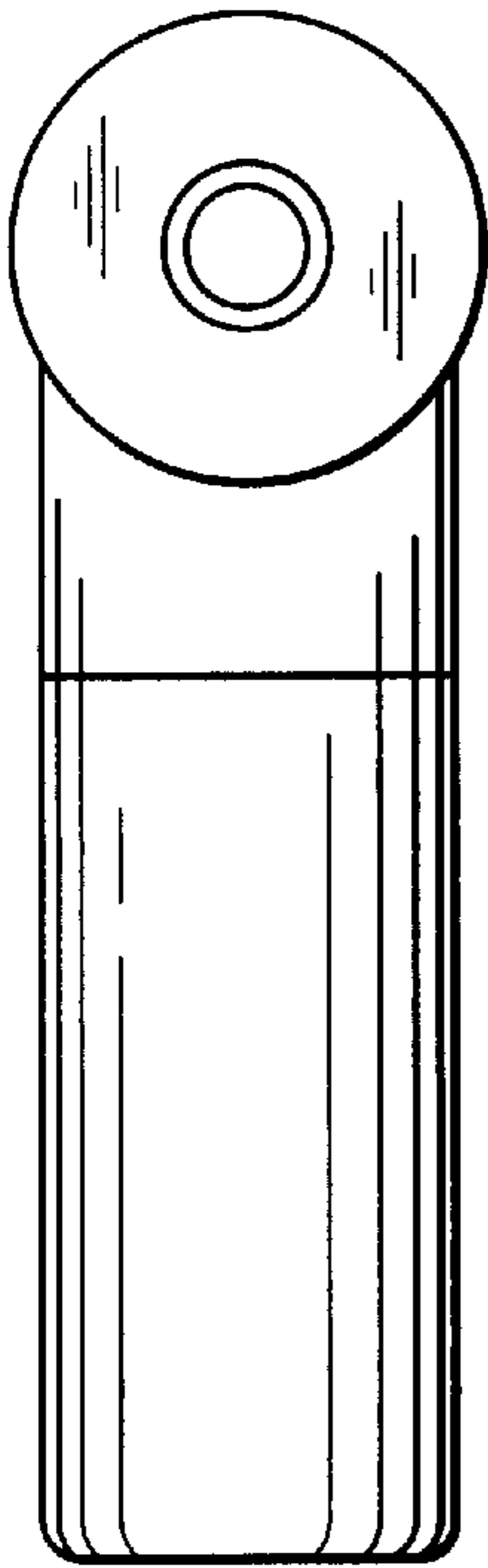


FIG. 9

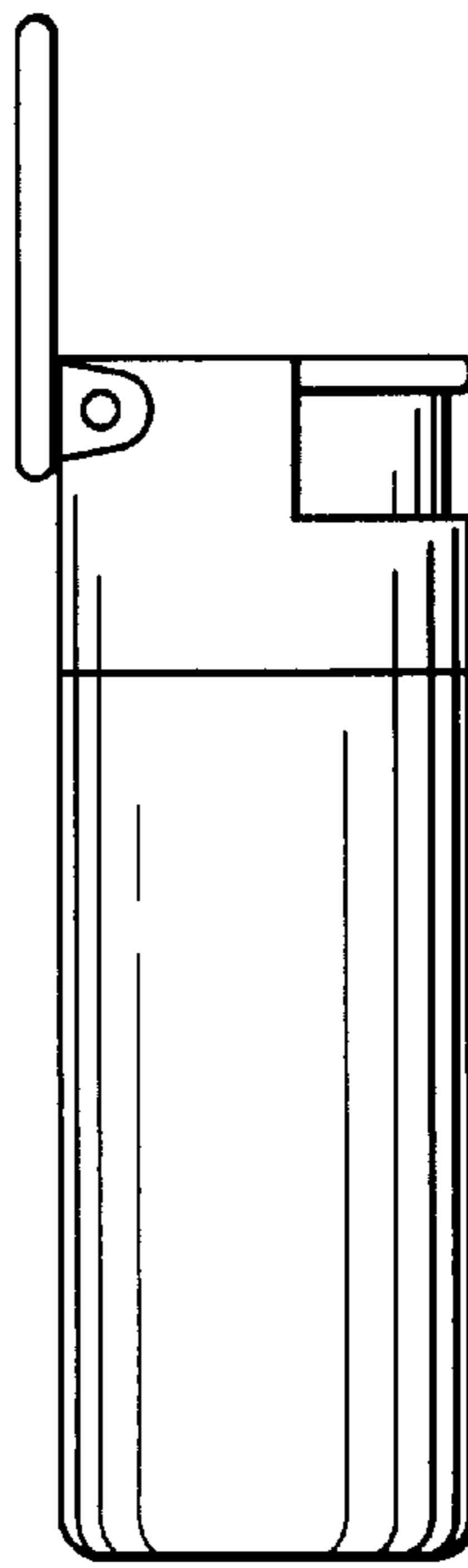


FIG. 8

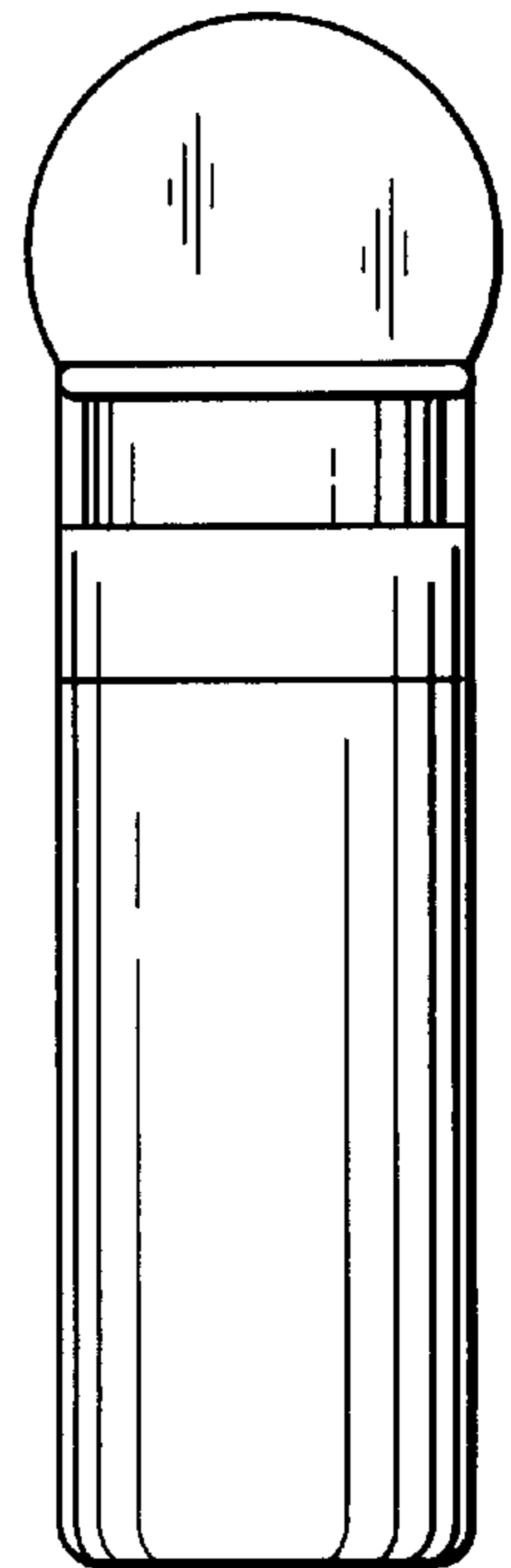


FIG. 10