



US00D459539S

(12) **United States Design Patent**
Foote

(10) **Patent No.:**

US D459,539 S

(45) **Date of Patent:**

**** Jun. 25, 2002**

(54) **CIGARETTE EXTINGUISHER**

5,617,880 A 4/1997 Landuydt
D399,025 S 9/1998 Whitlock
5,906,211 A 5/1999 Mason
D452,750 S 1/2002 Habibi et al.

(76) Inventor: **Russell L. Foote**, 233 W. Chantilly Way, Mustang, OK (US) 73064

(**) Term: **14 Years**

* cited by examiner

(21) Appl. No.: **29/154,403**

Primary Examiner—Jennifer Rivard
(74) *Attorney, Agent, or Firm*—Mary M. Lee

(22) Filed: **Jan. 22, 2002**

(57) **CLAIM**

(51) **LOC (7) Cl.** **27-03**

The ornamental design for a cigarette extinguisher, as shown and described.

(52) **U.S. Cl.** **D27/125; D27/136**

(58) **Field of Search** D27/102, 103, D27/104, 105, 133-136, 125, 110; 131/231, 235.1, 236, 237, 240.1, 241, 242, 256

DESCRIPTION

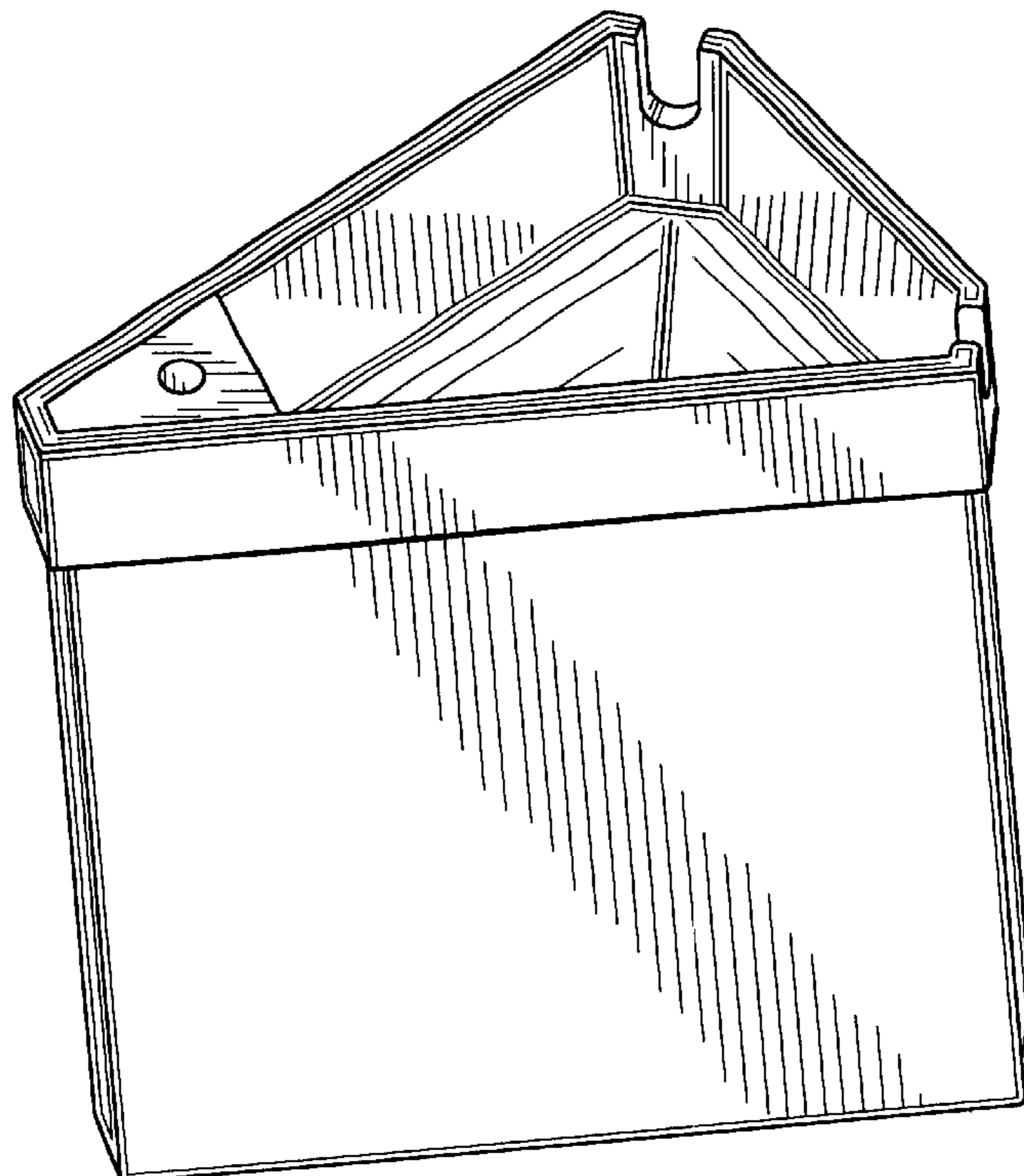
(56) **References Cited**

U.S. PATENT DOCUMENTS

D76,302 S	9/1928	Hubbard	
D81,031 S	4/1930	Thompson	
D82,033 S	9/1930	Kershaw	
1,870,327 A	8/1932	Endsley	
D107,873 S	* 1/1938	Kelly	131/240.1
D142,130 S	8/1945	Swofford	
D152,474 S	1/1949	Heintze	
D172,873 S	8/1954	Gayle et al.	
2,779,624 A	* 1/1957	Friedman	131/231
2,974,821 A	3/1961	Lamont	
D195,071 S	4/1963	Vasile	
D247,049 S	1/1978	Alves	
D258,468 S	3/1981	Whitlock	
D288,010 S	1/1987	Faulkenberry	
4,856,537 A	8/1989	Liu	

FIG. 1 is a perspective view of a cigarette extinguisher, showing my new design;
FIG. 2 is a plan view thereof;
FIG. 3 is a bottom view thereof;
FIG. 4 is a rear elevational view thereof;
FIG. 5 is a front elevational view thereof;
FIG. 6 is a side elevational view of the left side thereof;
FIG. 7 is a side elevational view of the right side thereof;
FIG. 8 is a bottom view of the lid of the cigarette extinguisher removed from the body;
FIG. 9 is a side elevational view thereof, the right side being the mirror image thereof;
FIG. 10 is a rear elevational view thereof; and,
FIG. 11 is a plan view of the body of the cigarette extinguisher, with the lid removed.
The lid and the body of the cigarette extinguisher are shown separately for convenience of illustration.

1 Claim, 3 Drawing Sheets



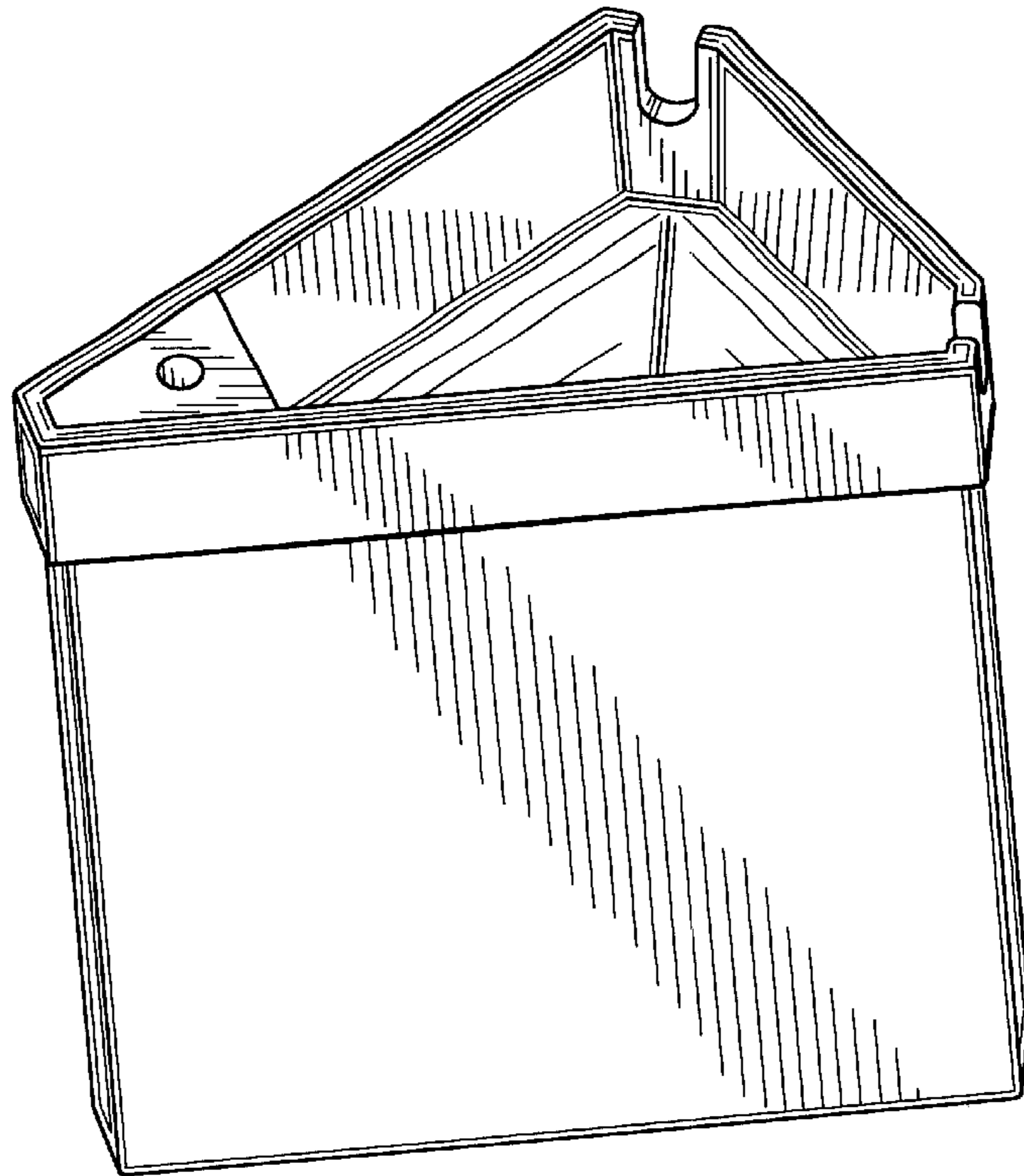


FIG. 1

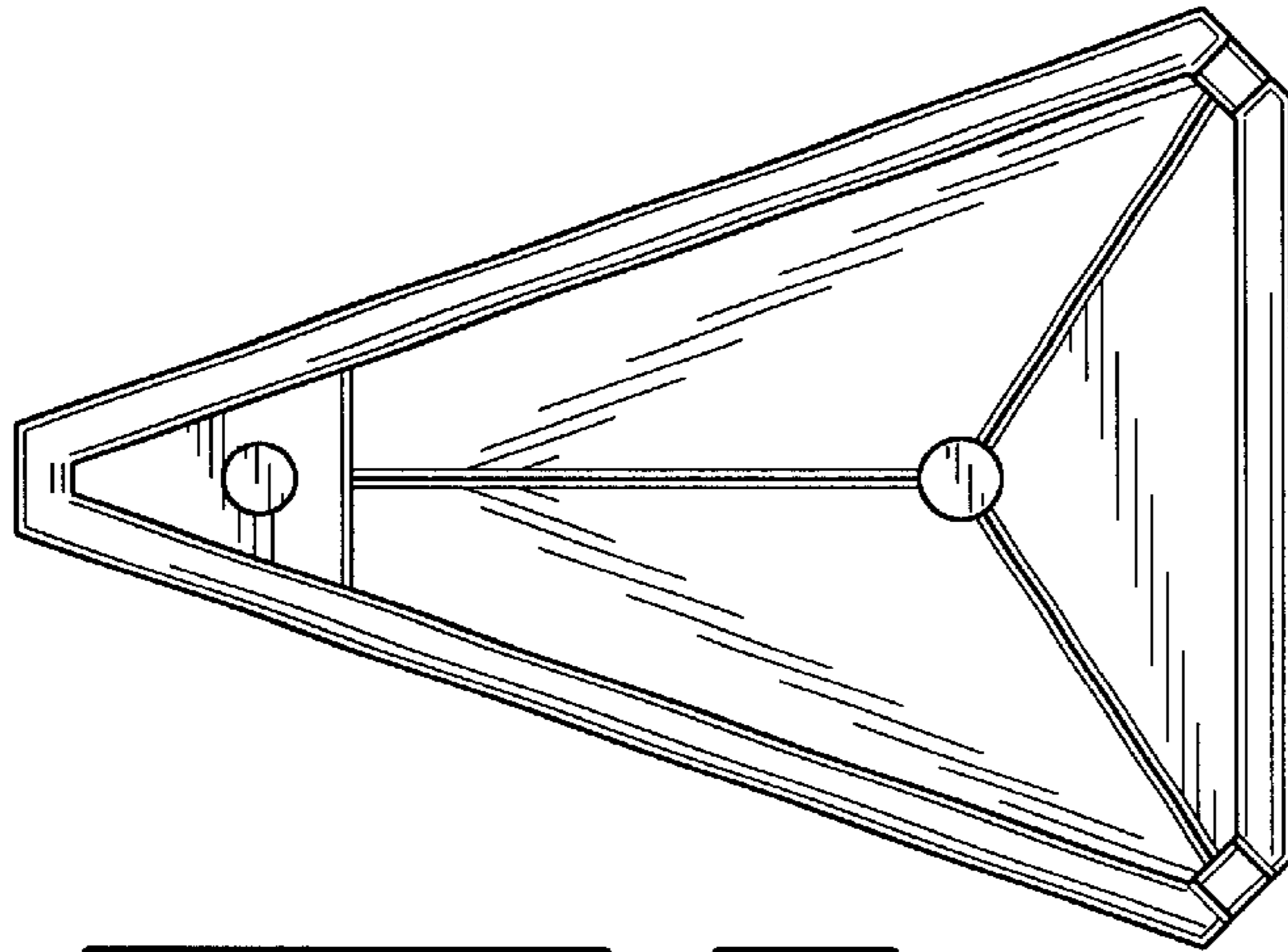


FIG. 2

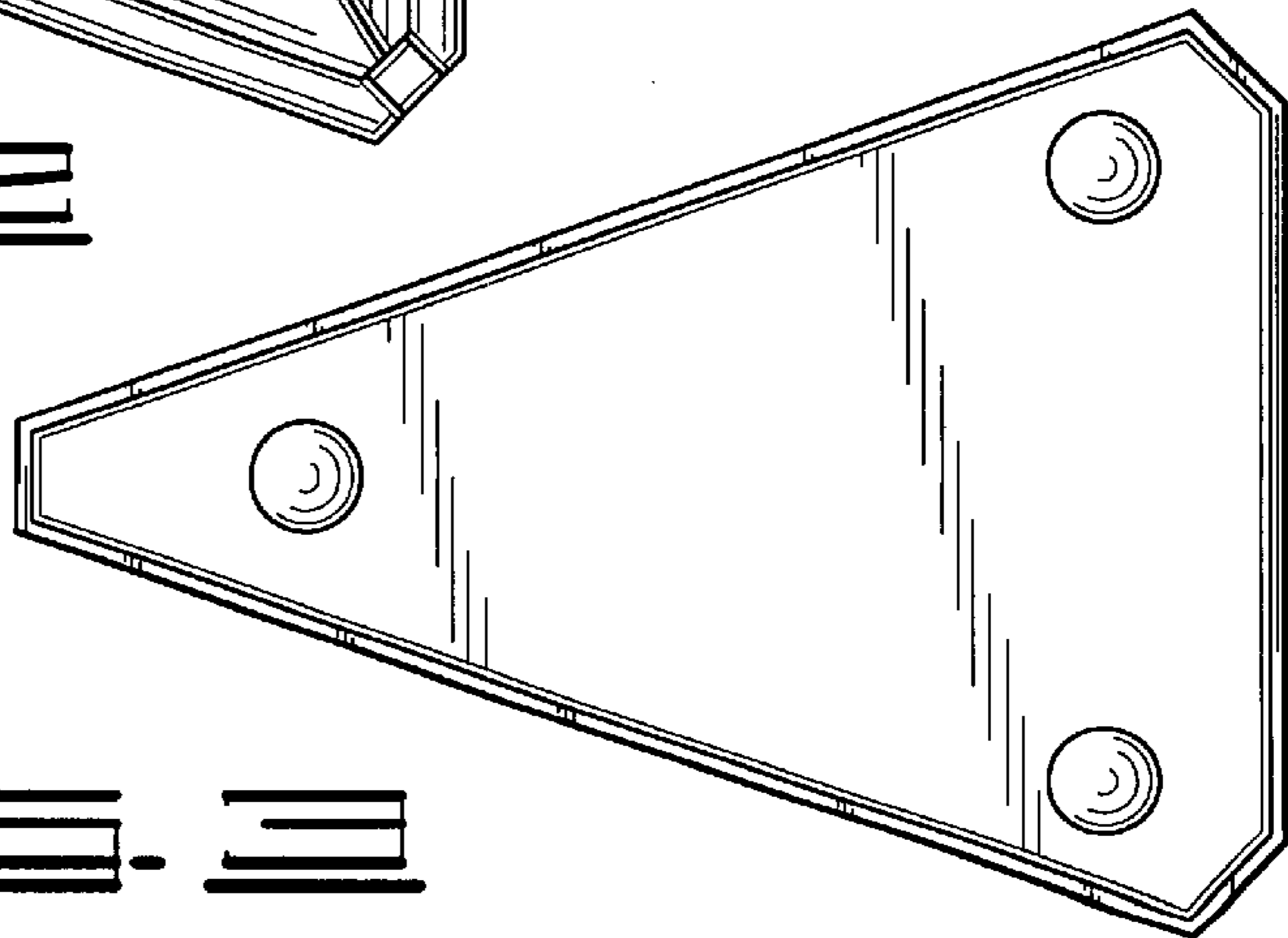


FIG. 3

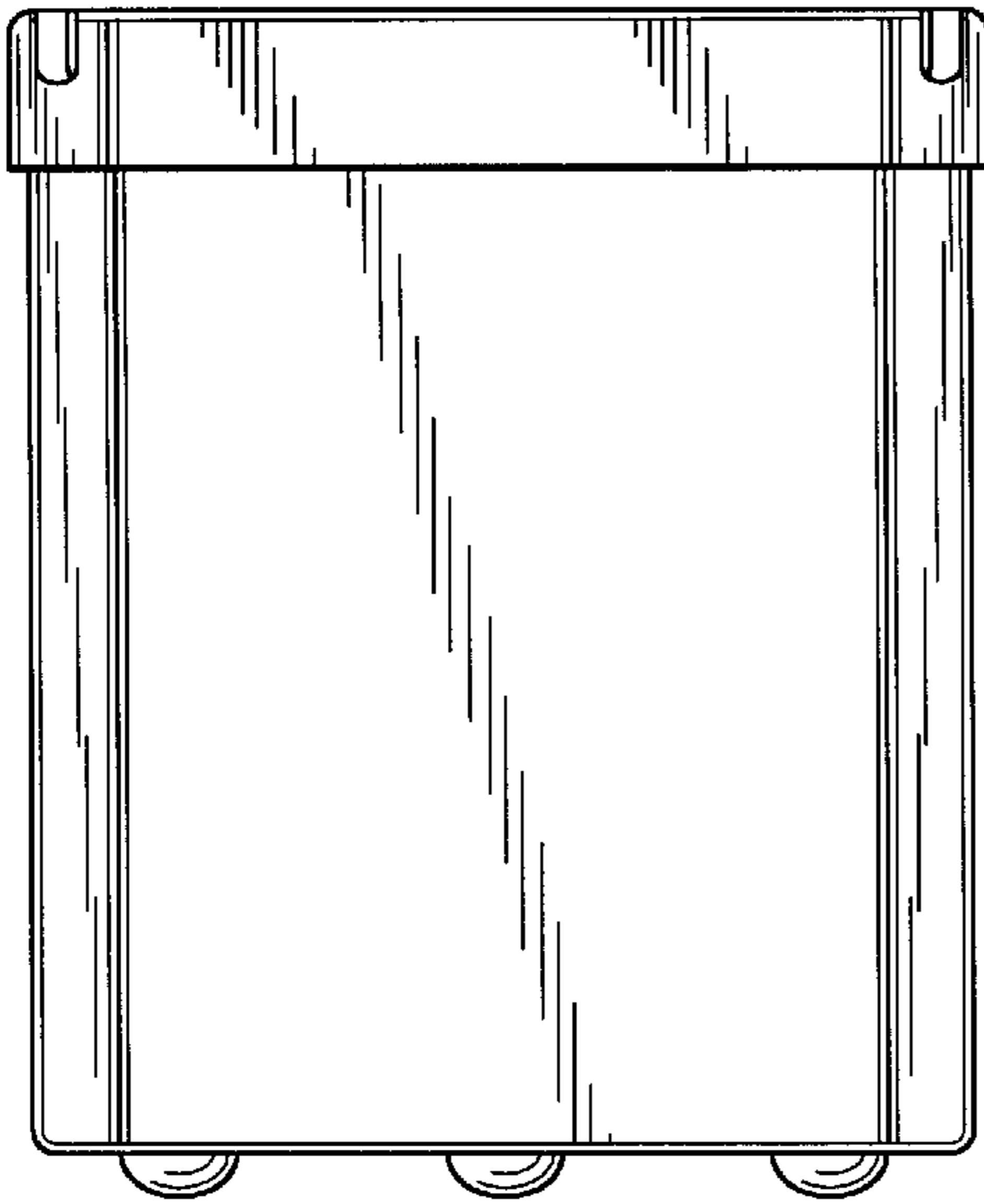


FIG. 4

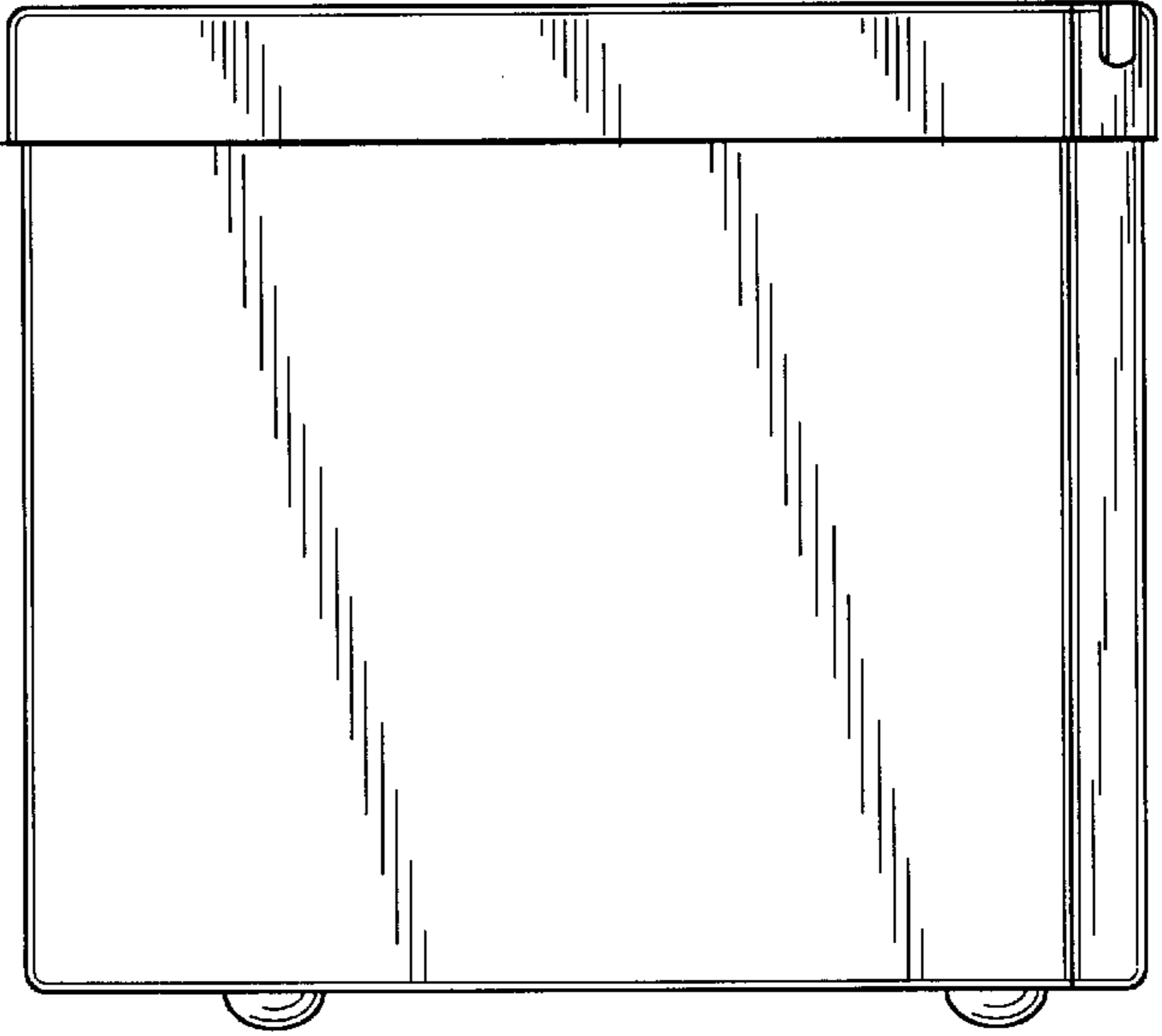


FIG. 6

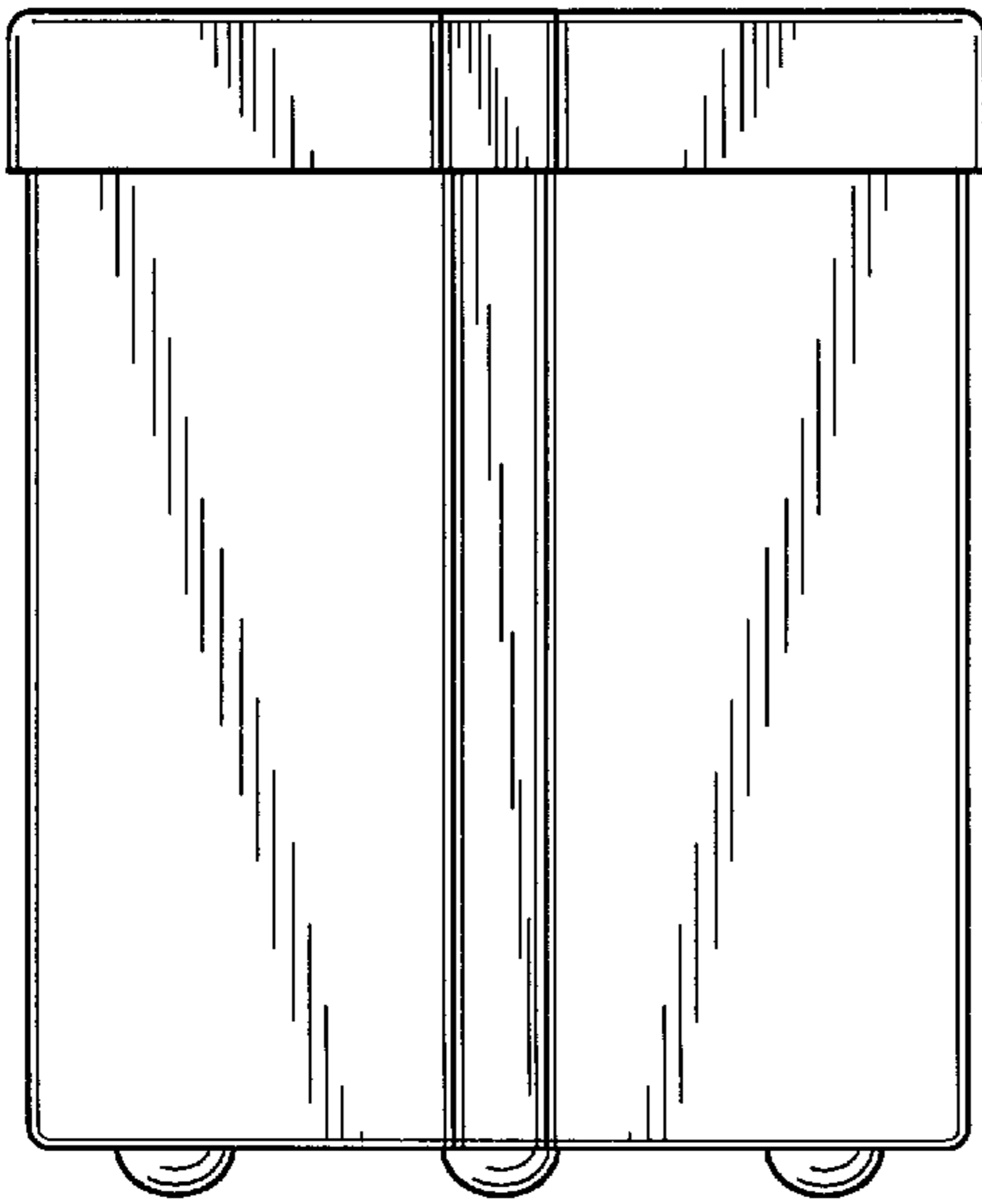


FIG. 5

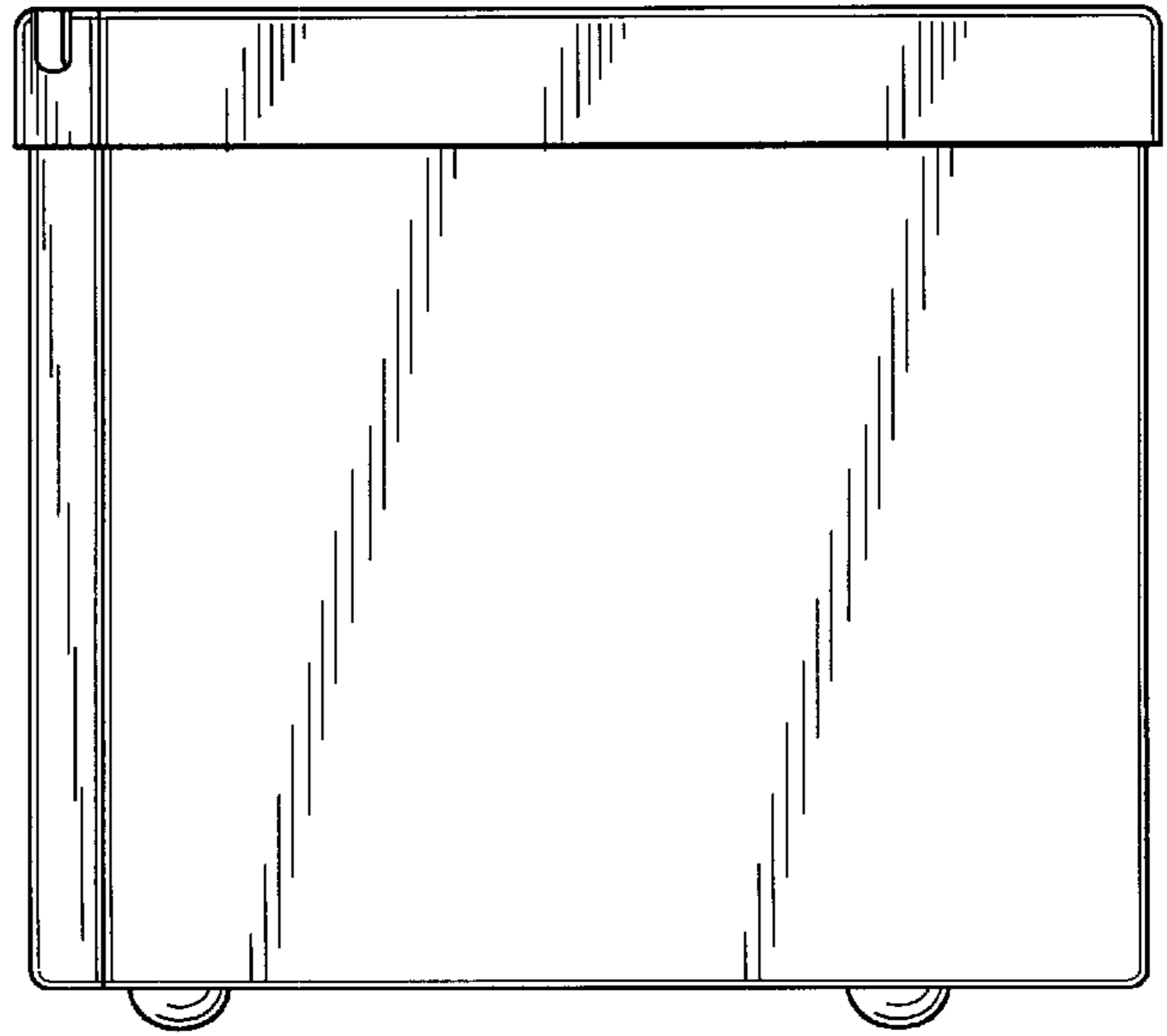


FIG. 7

