



US00D459538S

(12) **United States Design Patent**
Pacheco et al.

(10) **Patent No.:** **US D459,538 S**
(45) **Date of Patent:** **** Jun. 25, 2002**

(54) **LIGHT CORD HANGING HOOK**

OTHER PUBLICATIONS

(76) Inventors: **Mark Anthony Pacheco**, 7108 Tumble Brook Dr., New Albany, OH (US) 43054; **Richard Evans Cash**, 865 E. Cooke Rd., Columbus, OH (US) 43224

Lighting Fixtures, Welite Corporation, Taiwan Lighting catalog, No. 56, May 1999, p. 163.*

* cited by examiner

(**) Term: **14 Years**

Primary Examiner—Doris V. Coles
Assistant Examiner—Elizabeth A. Albert
(74) *Attorney, Agent, or Firm*—Jeffrey Furr

(21) Appl. No.: **29/143,634**

(22) Filed: **Jun. 16, 2001**

(57) **CLAIM**

(51) **LOC (7) Cl.** **26-99**

The ornamental design for a light cord hanging hook, as shown.

(52) **U.S. Cl.** **D26/138**

(58) **Field of Search** D6/411; D8/349, D8/350, 354, 355, 356, 363, 499; D10/105; D26/81, 25, 138, 155; 248/224.8, 229.25, 229.12, 200, 205.1, 317, 322, 327, 339, 343

DESCRIPTION

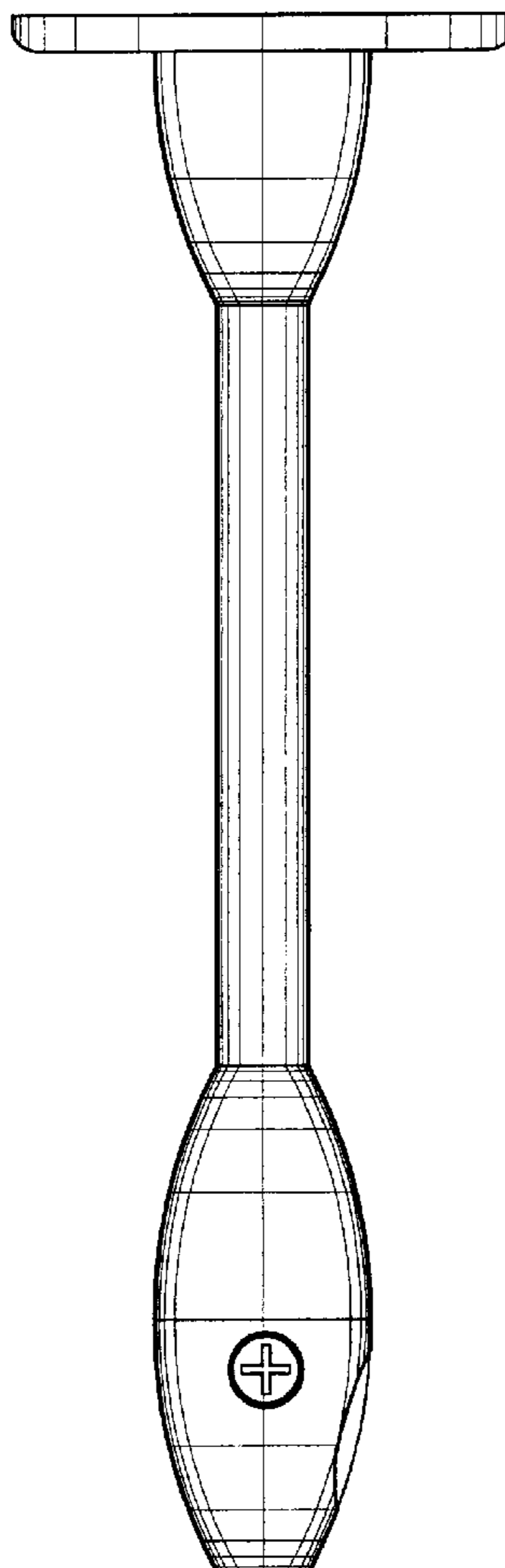
FIG. 1 is a bottom view of a light cord hanging hook enlarged in scale showing my new design;
FIG. 2 is a back view thereof;
FIG. 3 is front view of thereof;
FIG. 4 is a left side view thereof;
FIG. 5 is a right side view of thereof; and,
FIG. 6 is a top view thereof enlarged in scale.

(56) **References Cited**

U.S. PATENT DOCUMENTS

D40,215 S * 8/1909 Pitner D26/81
6,283,519 B1 * 9/2001 Dutton et al. 294/19.1
6,311,943 B1 * 11/2001 Tang 248/343

1 Claim, 6 Drawing Sheets



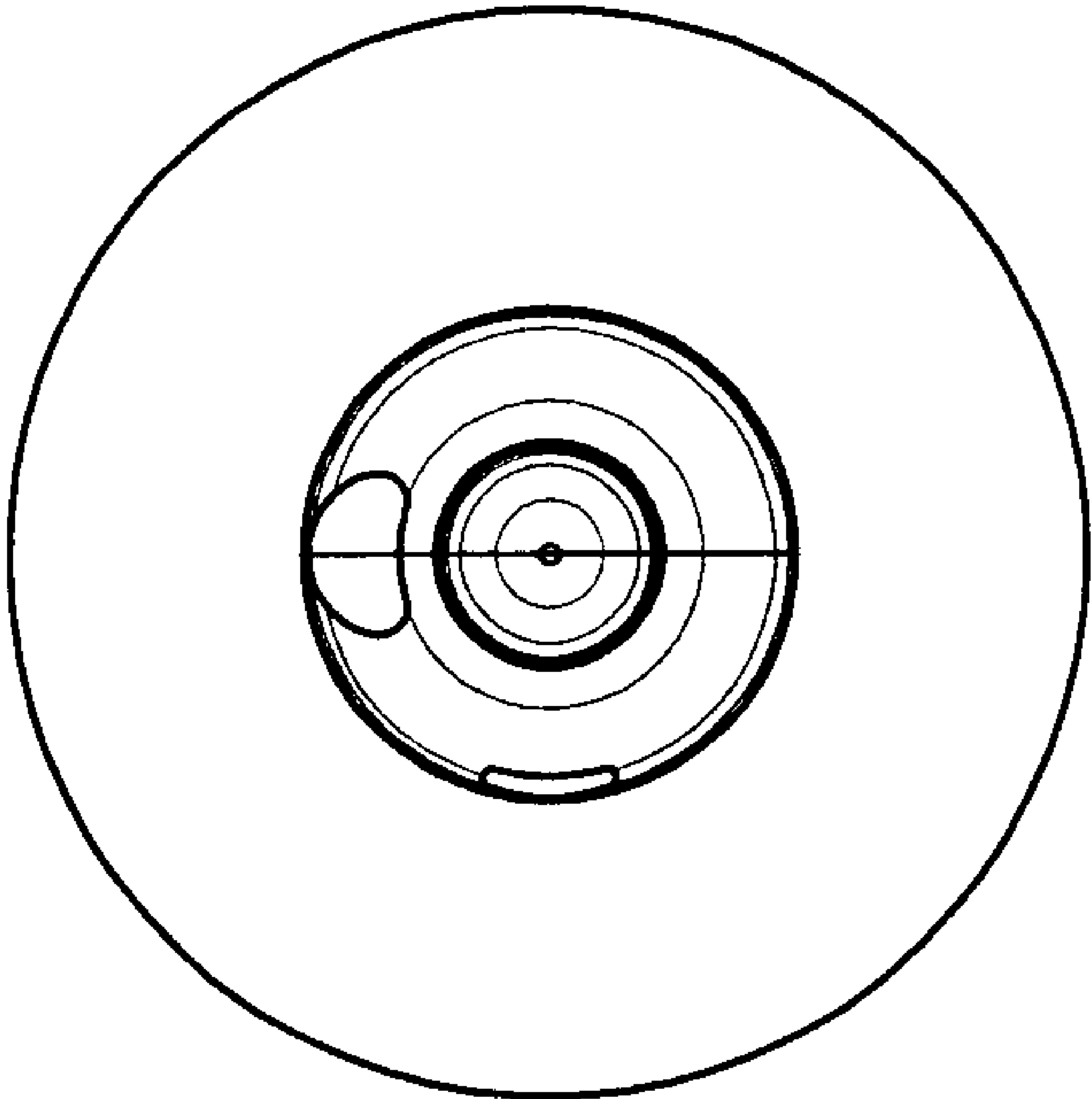


FIG. 1

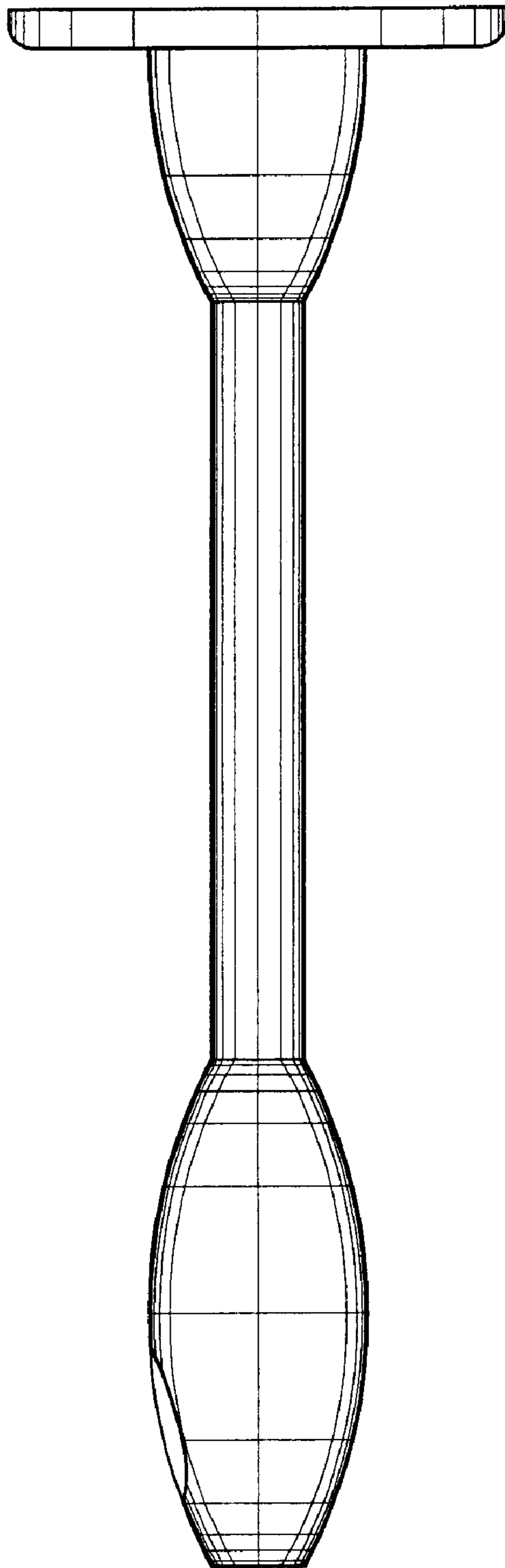


FIG. 2

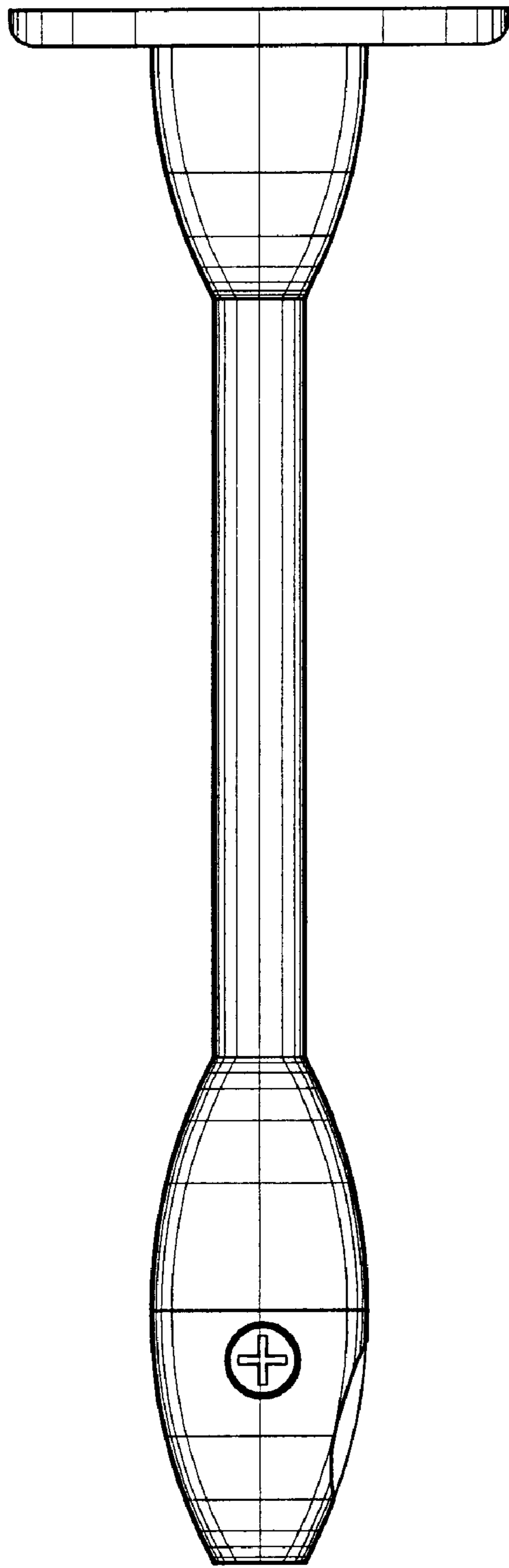


FIG. 3

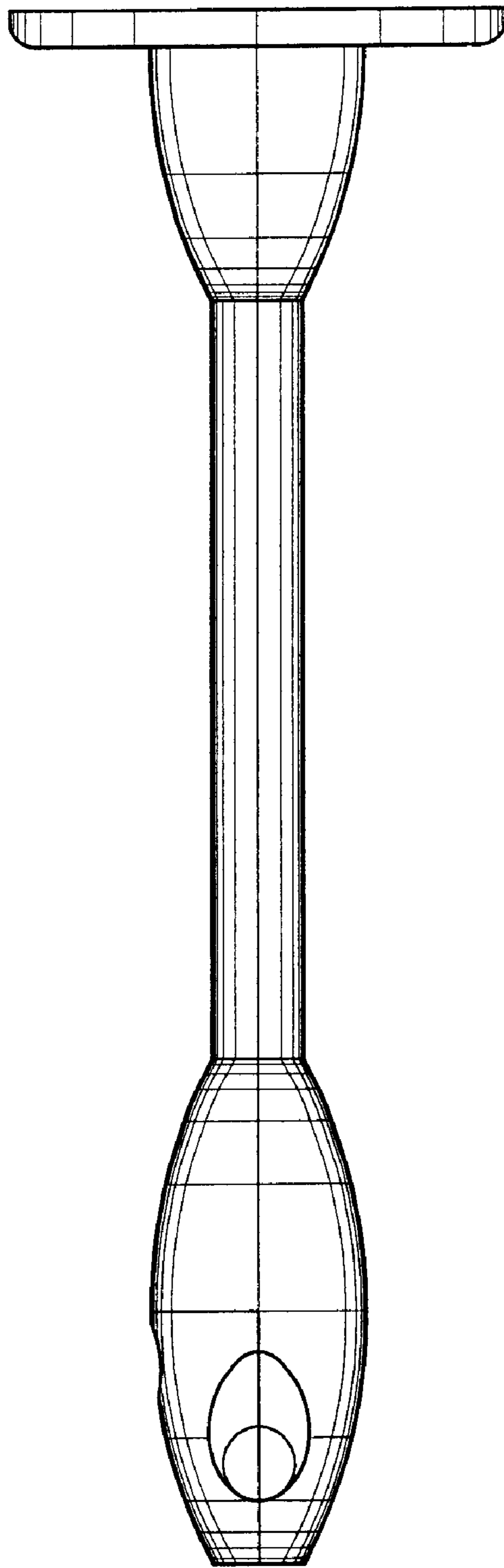


FIG. 4

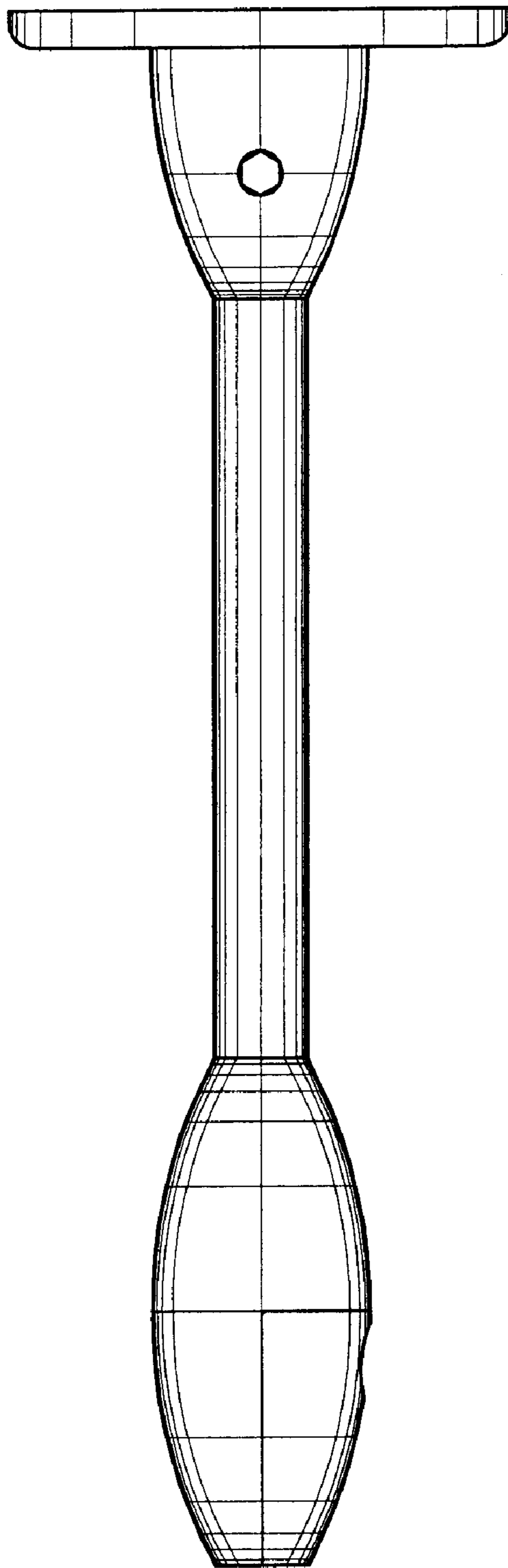


FIG. 5

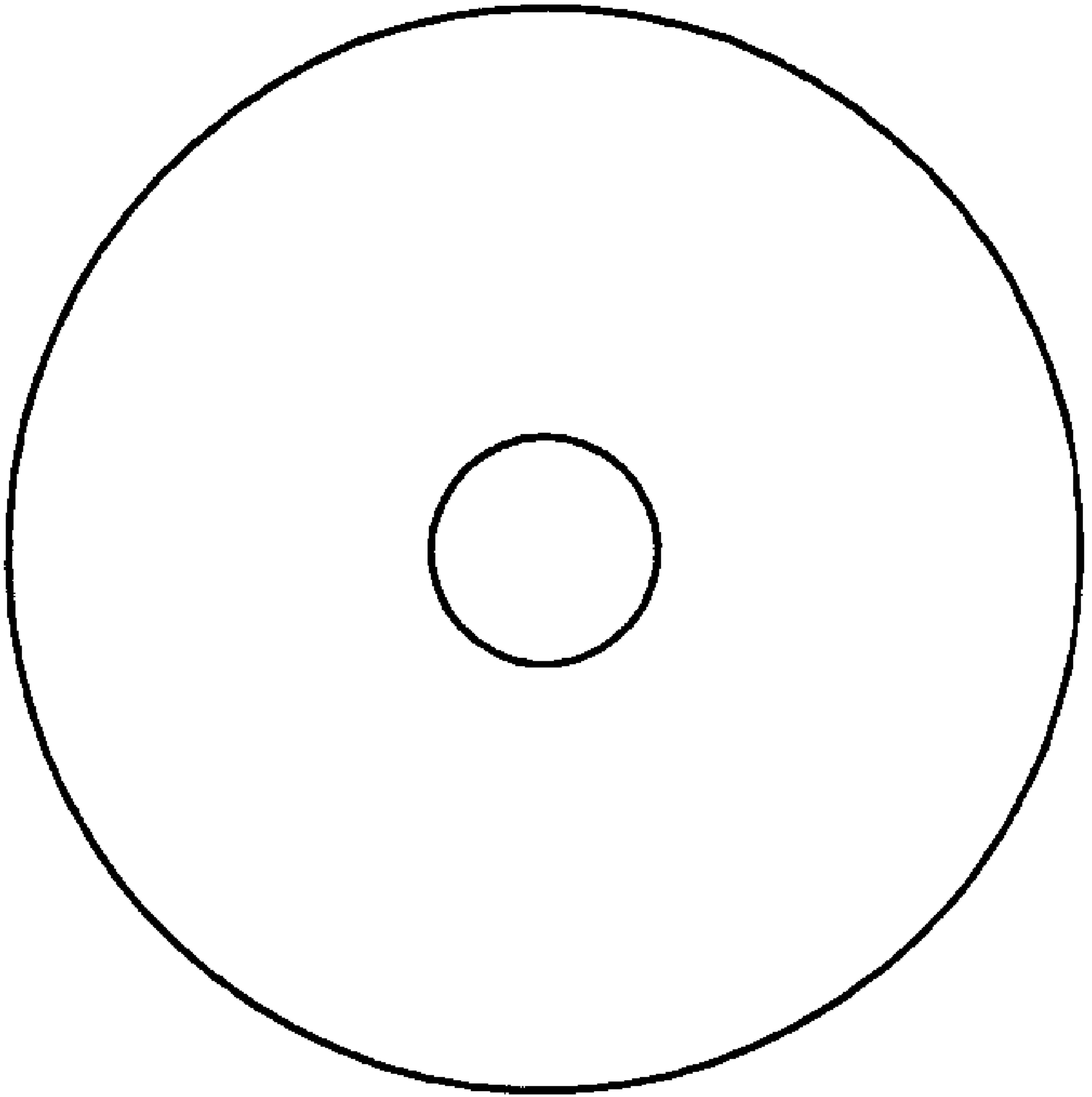


FIG. 6