



US00D459531S

(12) **United States Design Patent**
Dolan

(10) **Patent No.:** **US D459,531 S**

(45) **Date of Patent:** **** Jun. 25, 2002**

(54) **TABLE LAMP**

(76) **Inventor:** **Patrick S. Dolan**, 1901 NW. Upshur,
Portland, OR (US) 97209

(**) **Term:** **14 Years**

(21) **Appl. No.:** **29/143,864**

(22) **Filed:** **Jun. 20, 2001**

(51) **LOC (7) Cl.** **26-03**

(52) **U.S. Cl.** **D26/106**

(58) **Field of Search** D26/93, 102-112,
D26/142; 362/410-414, 431

Lightron Residential Lighting, Peeksville, NY, Cat: 1980
Model: SP-2548 p. C-33.

Lightron Residential Ltg, Peeksville, NY, Cat: 1980 Model:
SP-2224 p. C-17.

Pacific Coast Ltg, Chatsworth; CA, Cat: 1995 Model:
585-89 p.: 4.

* cited by examiner

Primary Examiner—Alan P. Douglas

Assistant Examiner—Linda Brooks

(57) **CLAIM**

The ornamental design for a table lamp, as shown and
described.

(56) **References Cited**

PUBLICATIONS

Home Lighting & Accessories Mar. 1998 magazine, Alm-
erich lamp bases on p. 166.*

Lightron Residential Lighting, Peeksville, NY, Catalog:
1980 Model# SP-2709 p.: C-9.

Lightron Residential Lighting, Peeksvill, NY, Cat: 1980
Model: SP-2138 p. C-11.

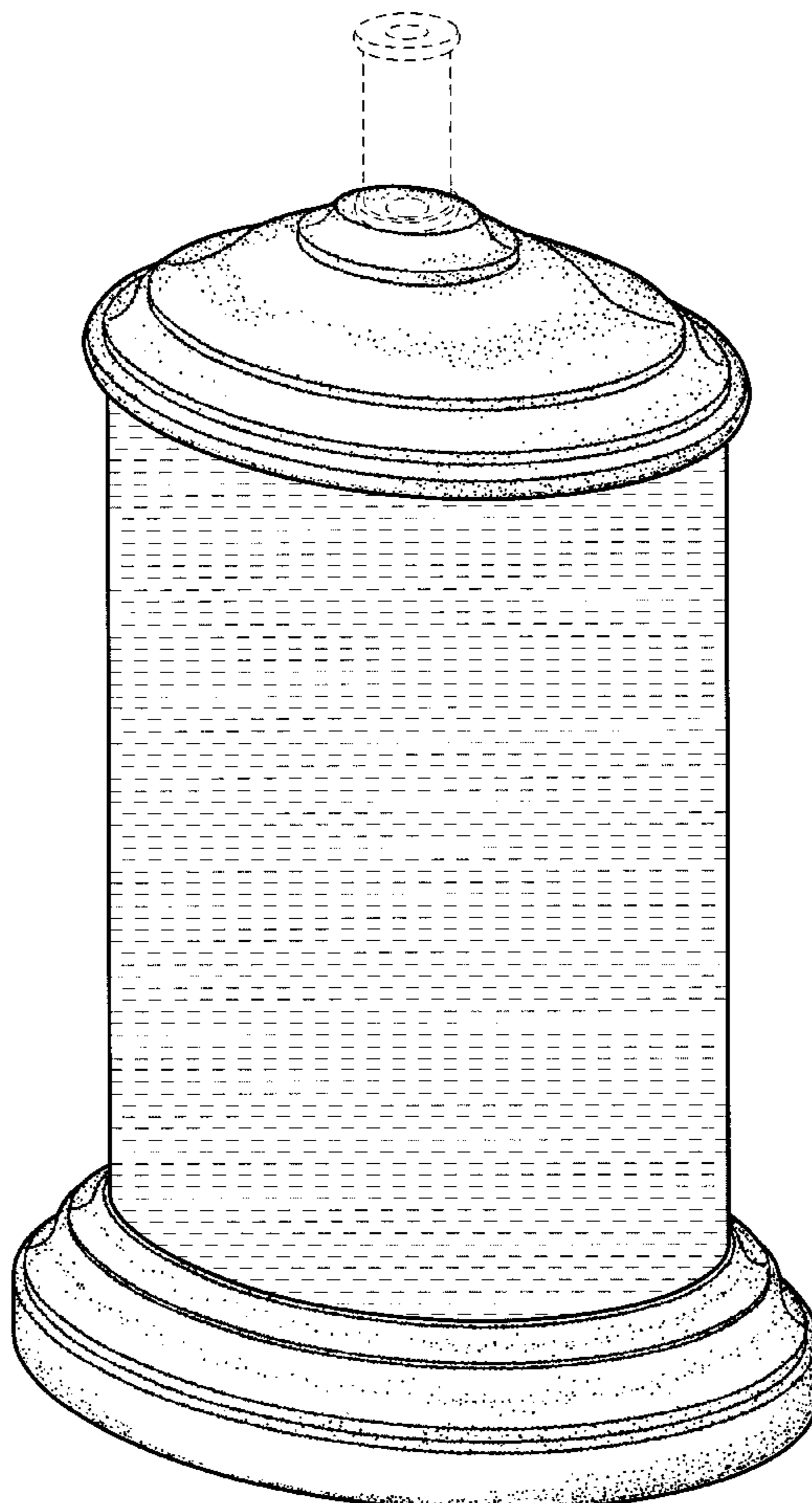
Lightron Residential Lighting, Peeksville, NY, Cat: 1980
Model: SP-2548 p. C-15.

DESCRIPTION

FIG. 1 is a perspective view thereof;
FIG. 2 is a front elevational view thereof;
FIG. 3 is a right side view, the left side view being identical;
FIG. 4 is a top plan view thereof; and,
FIG. 5 is a bottom plan view.

The broken lines shown in the drawing are environmental
only and form no part of the claimed design.

1 Claim, 5 Drawing Sheets



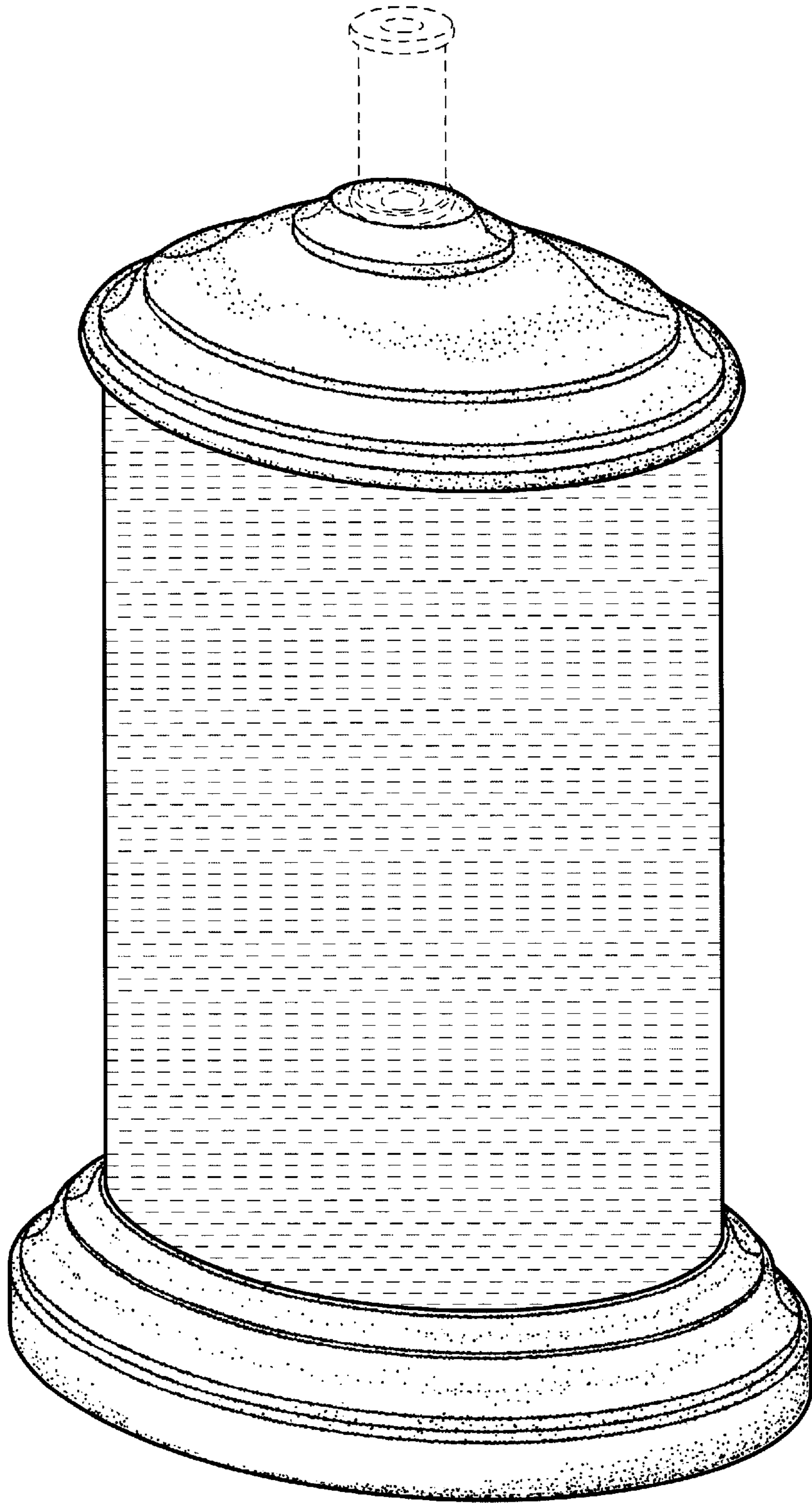


FIG. 1

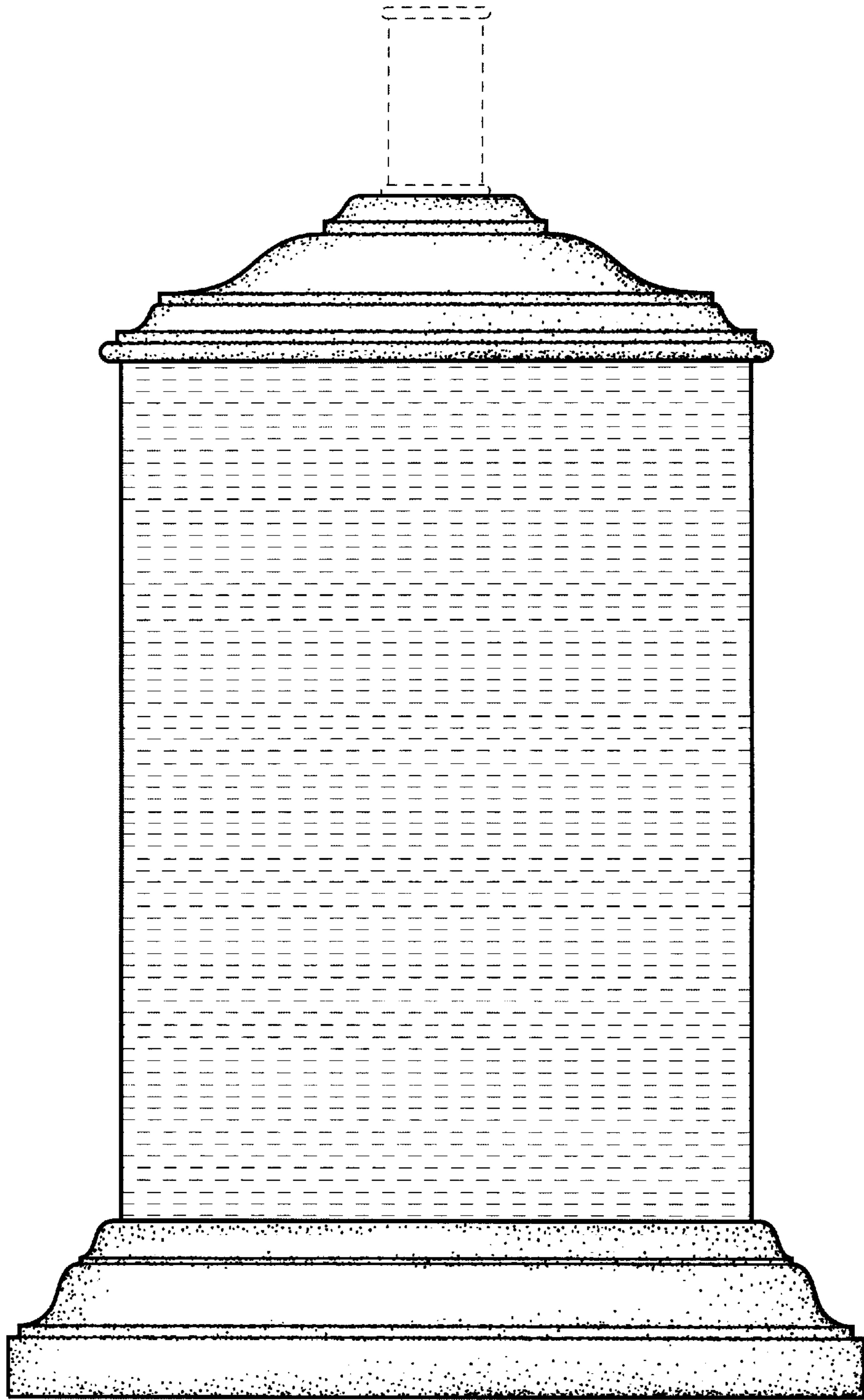


FIG. 2

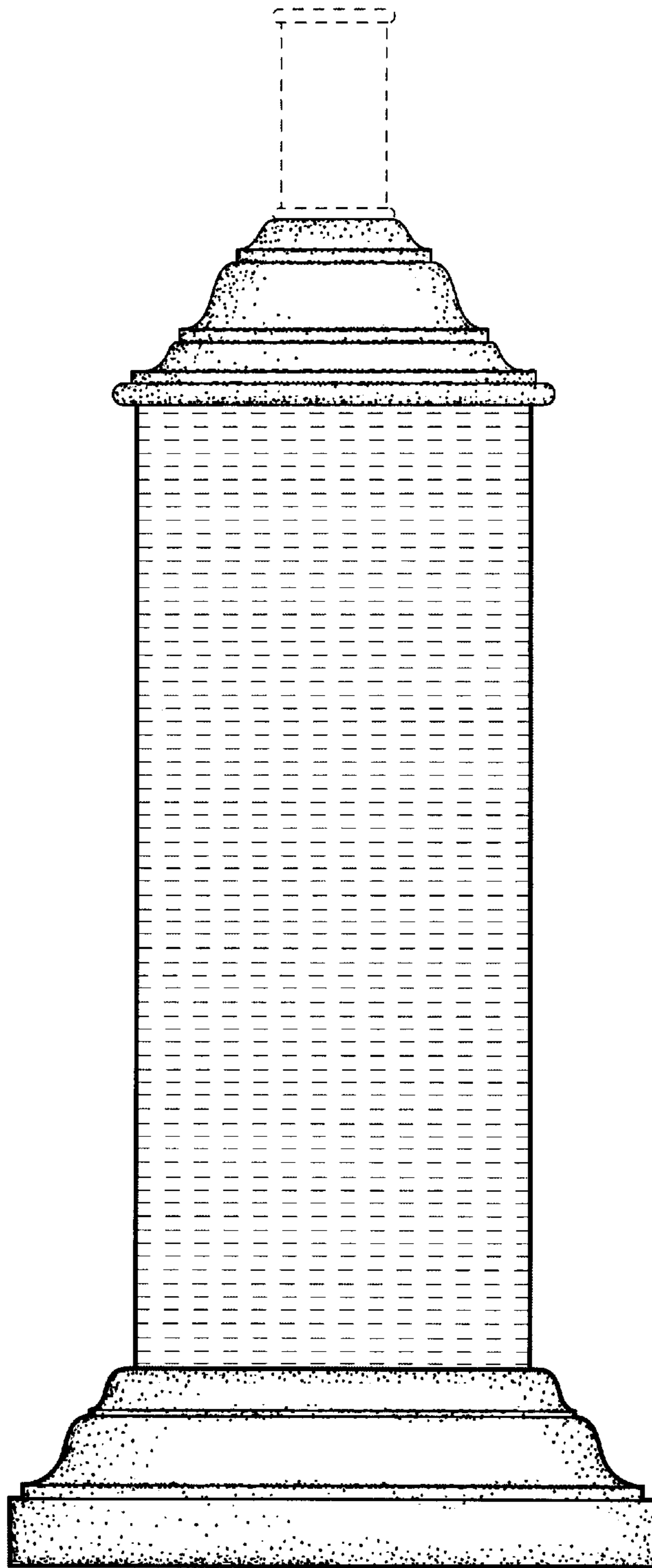


FIG. 3

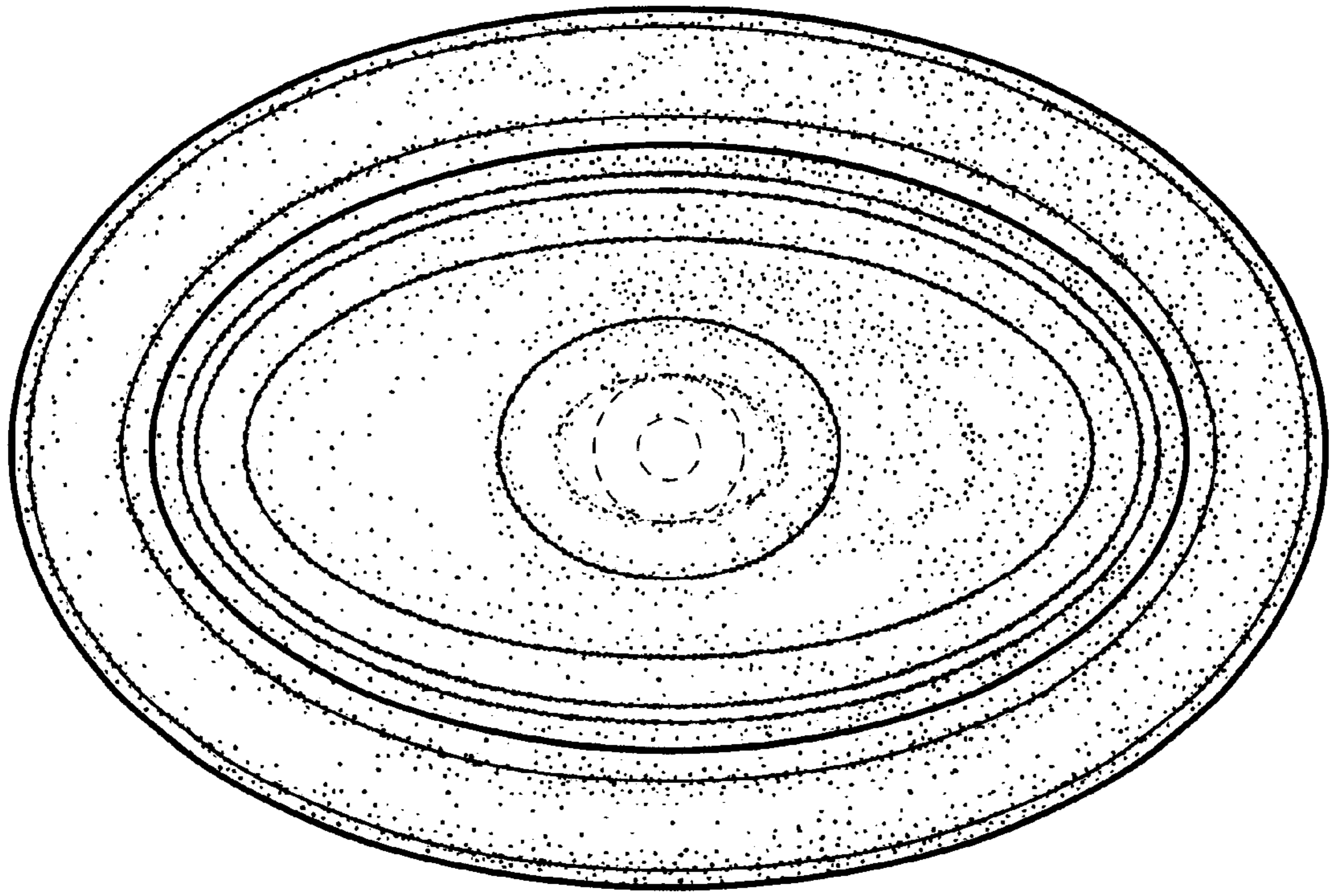


FIG. 4

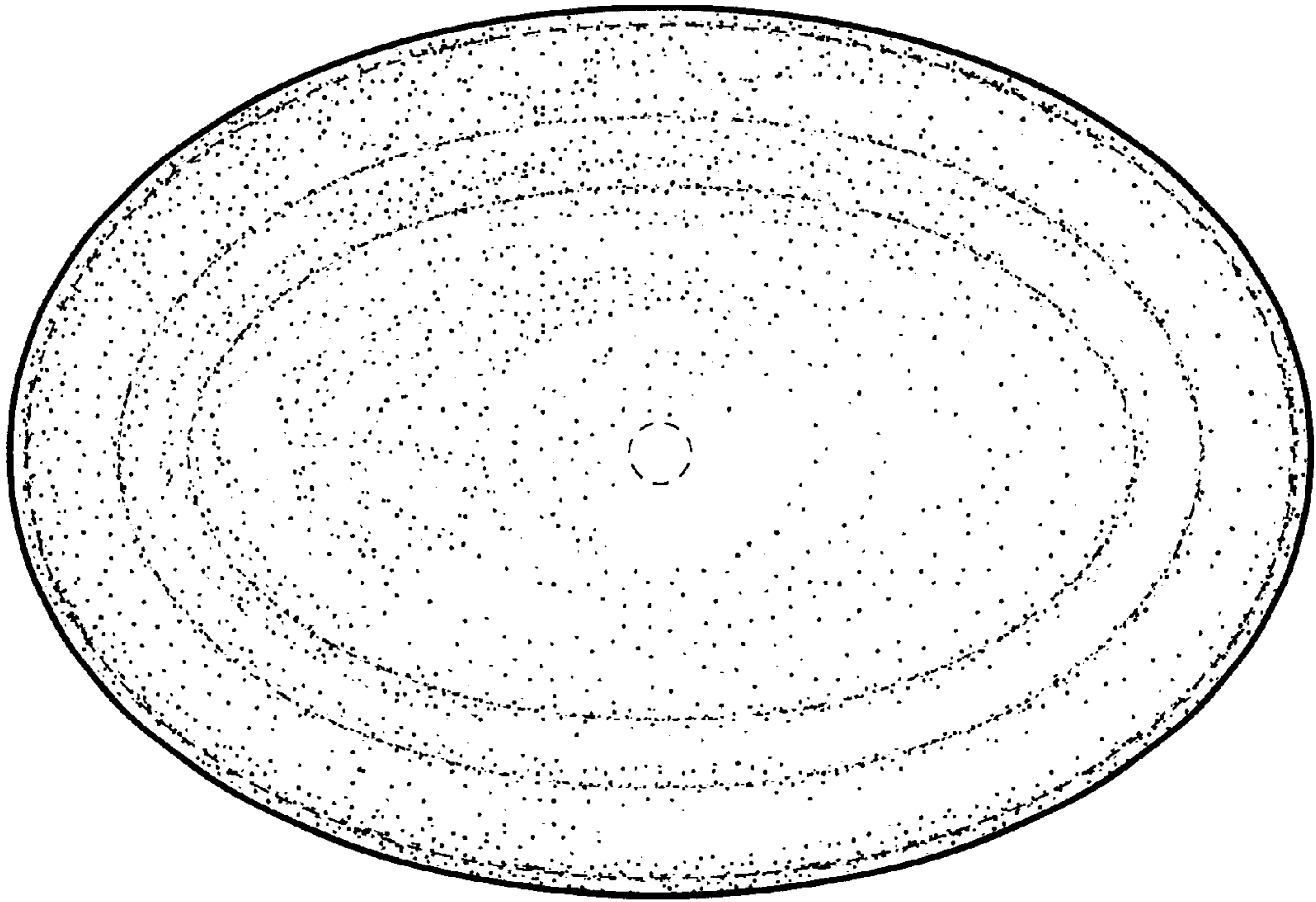


FIG. 5