



US00D459525S

(12) **United States Design Patent**
Barry

(10) **Patent No.:** **US D459,525 S**

(45) **Date of Patent:** **** Jun. 25, 2002**

(54) **DRUM-SHAPED LIGHT FIXTURE**

(76) Inventor: **Barbara Barry**, 9526 Pico Blvd., Los Angeles, CA (US) 90035

(**) Term: **14 Years**

(21) Appl. No.: **29/143,357**

(22) Filed: **Jun. 12, 2001**

(51) **LOC (7) Cl.** **26-03**

(52) **U.S. Cl.** **D26/88; D26/73; D26/90**

(58) **Field of Search** **D26/72-92; 362/147, 362/404-408, 432, 433**

(56) **References Cited**

U.S. PATENT DOCUMENTS

- D87,213 S * 6/1932 Hoffmann
- D129,362 S * 9/1941 Pieper
- D233,468 S * 10/1974 Shemitz
- D324,924 S * 3/1992 Bengochea D26/88

OTHER PUBLICATIONS

Litecontrol Corp. Brochure (c) 1992/ p. 5/"The Circa" indirect fixture/illustration on lower left.*

* cited by examiner

Primary Examiner—Joel Sincavage
Assistant Examiner—Clare E. Heflin
(74) *Attorney, Agent, or Firm*—Jack Lo

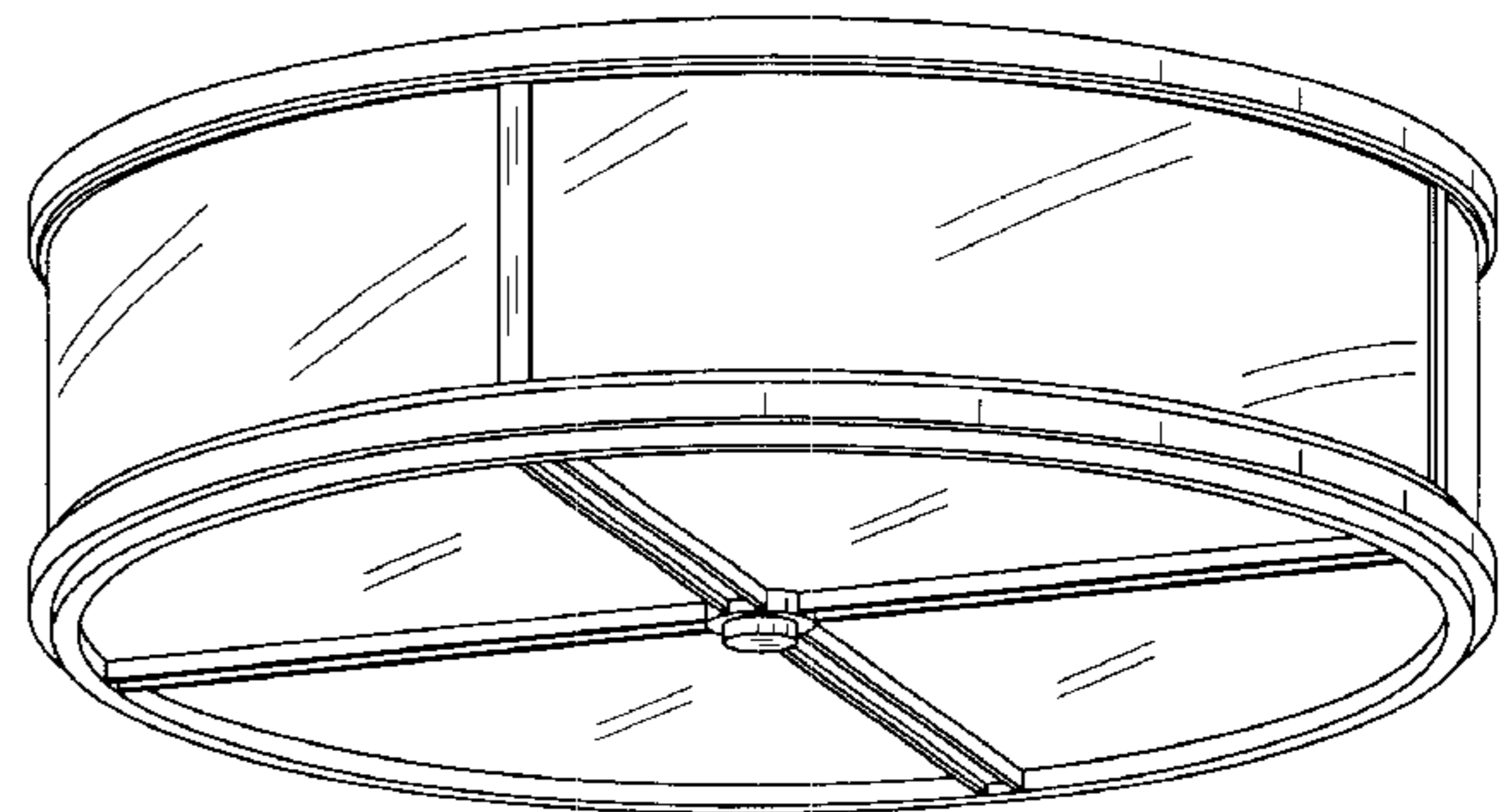
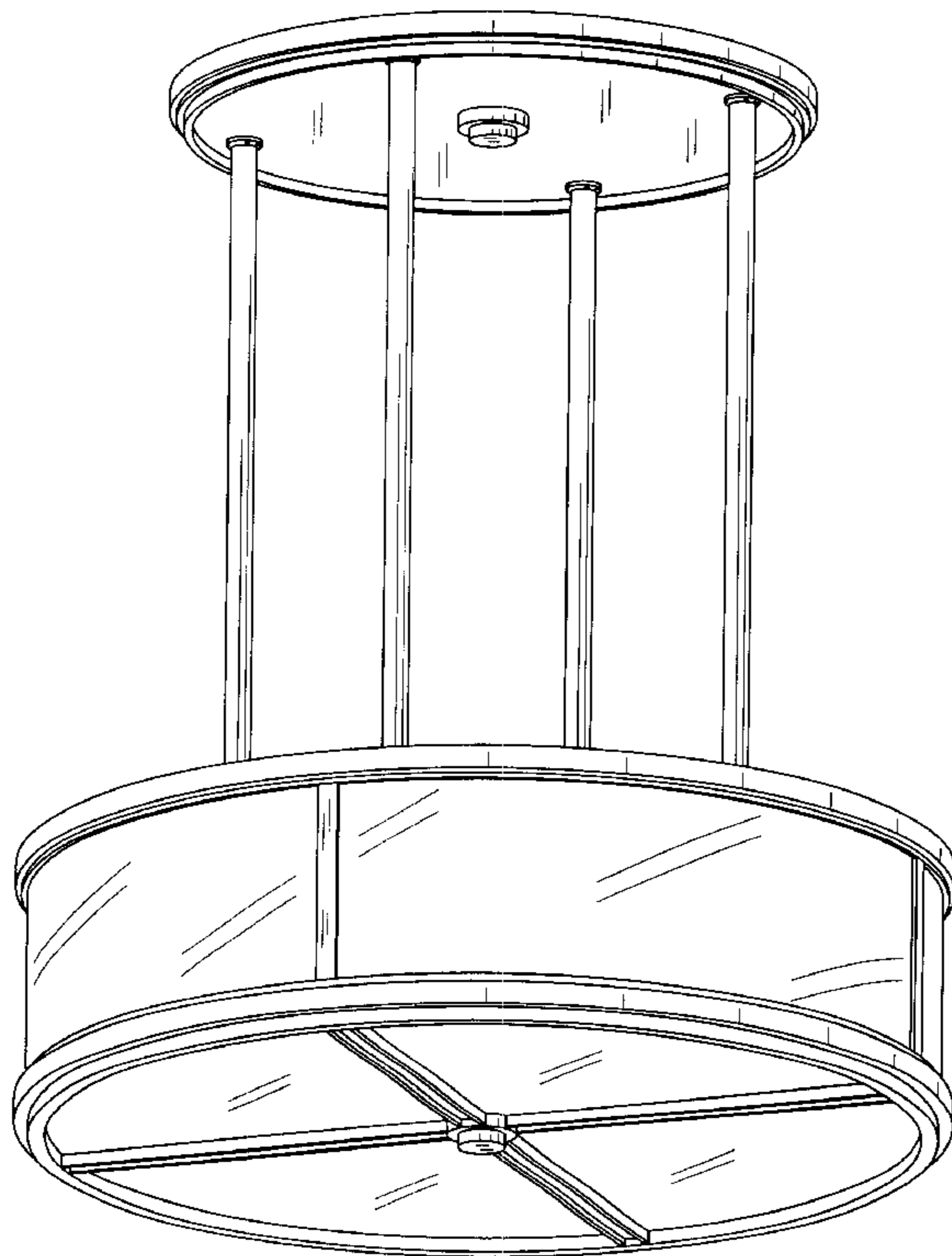
(57) **CLAIM**

The ornamental design for a drum-shaped light fixture, as shown and described.

DESCRIPTION

FIG. 1 is a bottom perspective view of a drum-shaped light fixture showing a first embodiment my new design as a pendant fixture;
 FIG. 2 is a top view thereof;
 FIG. 3 is a bottom view thereof;
 FIG. 4 is a front view thereof; the rear view and opposite side views are identical;
 FIG. 5 is a bottom perspective view of a drum-shaped light fixture showing a second embodiment my new design as a ceiling fixture;
 FIG. 6 is a top view thereof;
 FIG. 7 is a bottom view thereof; and,
 FIG. 8 is a front view thereof; the rear view and opposite side views are identical.
 The broken lines which define the bounds of the claimed design form no part thereof.

1 Claim, 6 Drawing Sheets



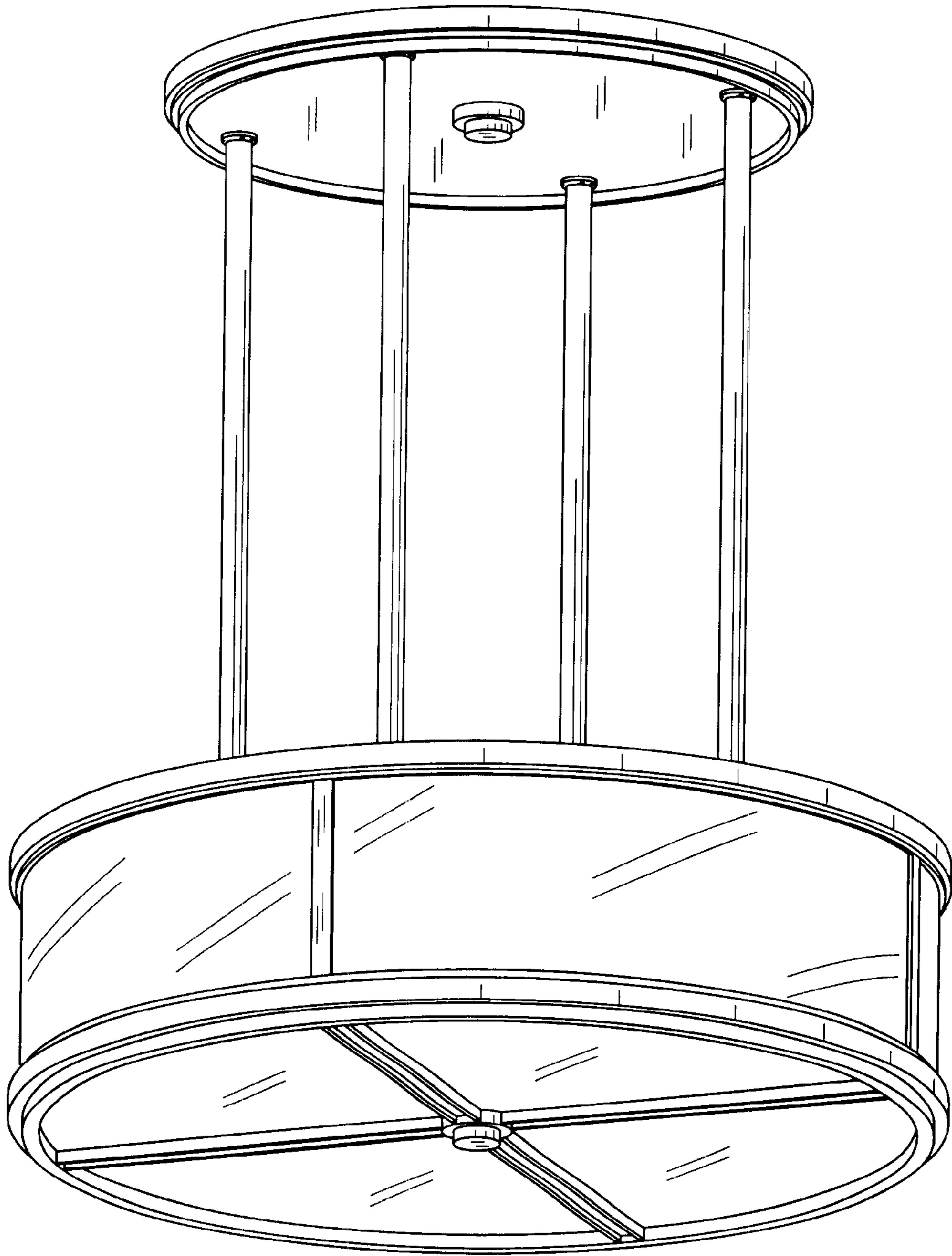


Fig. 1

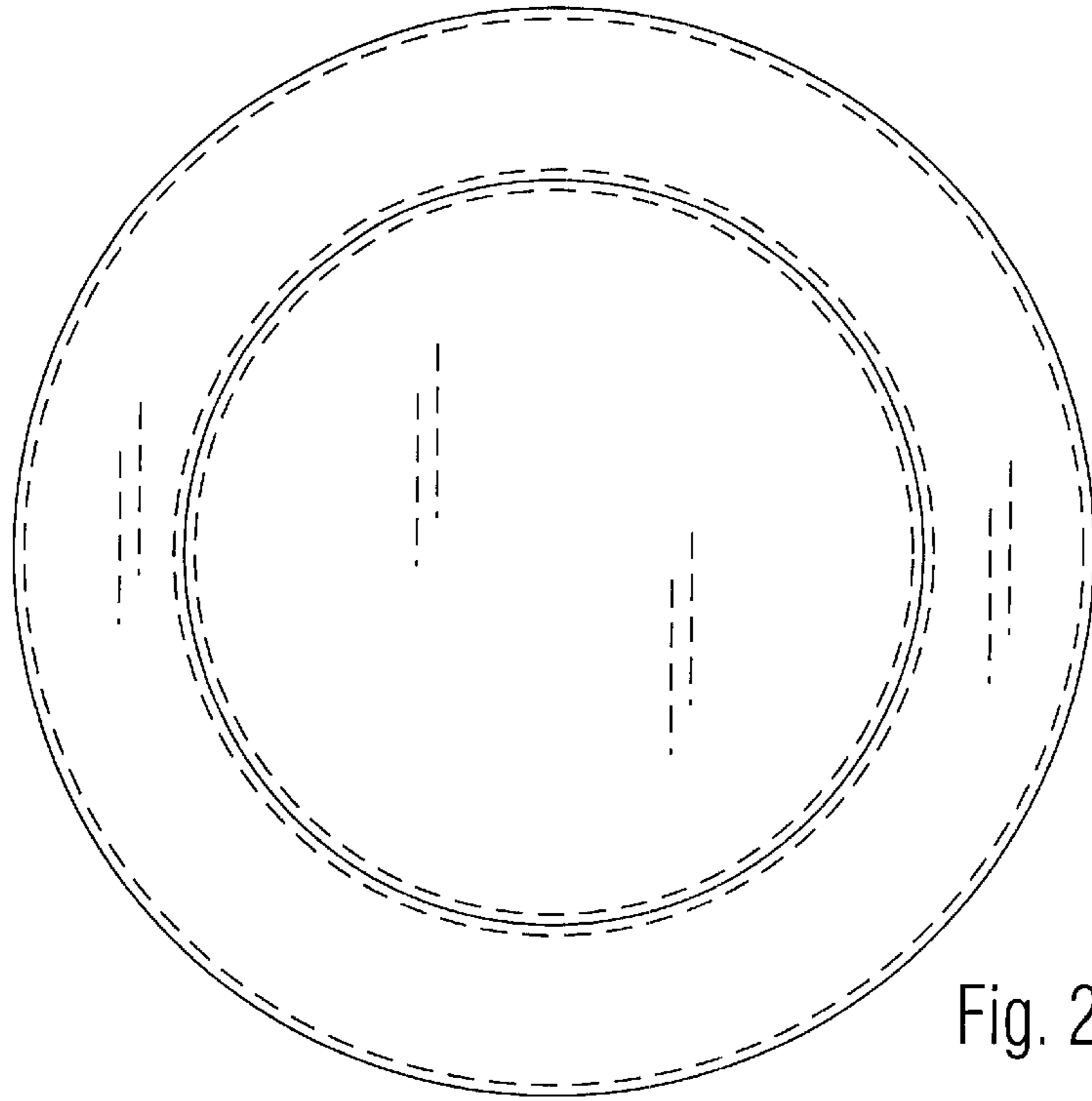


Fig. 2

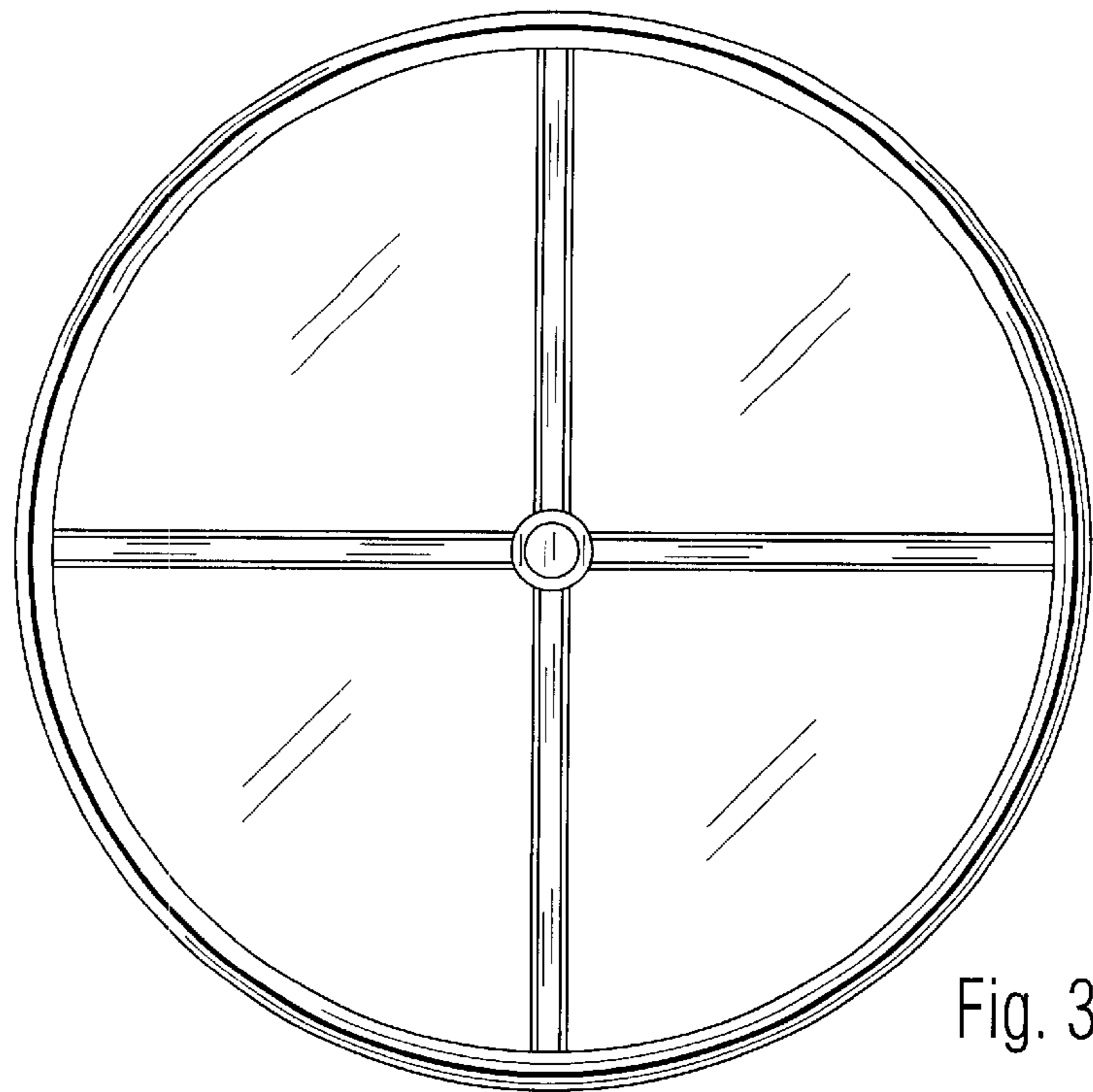


Fig. 3

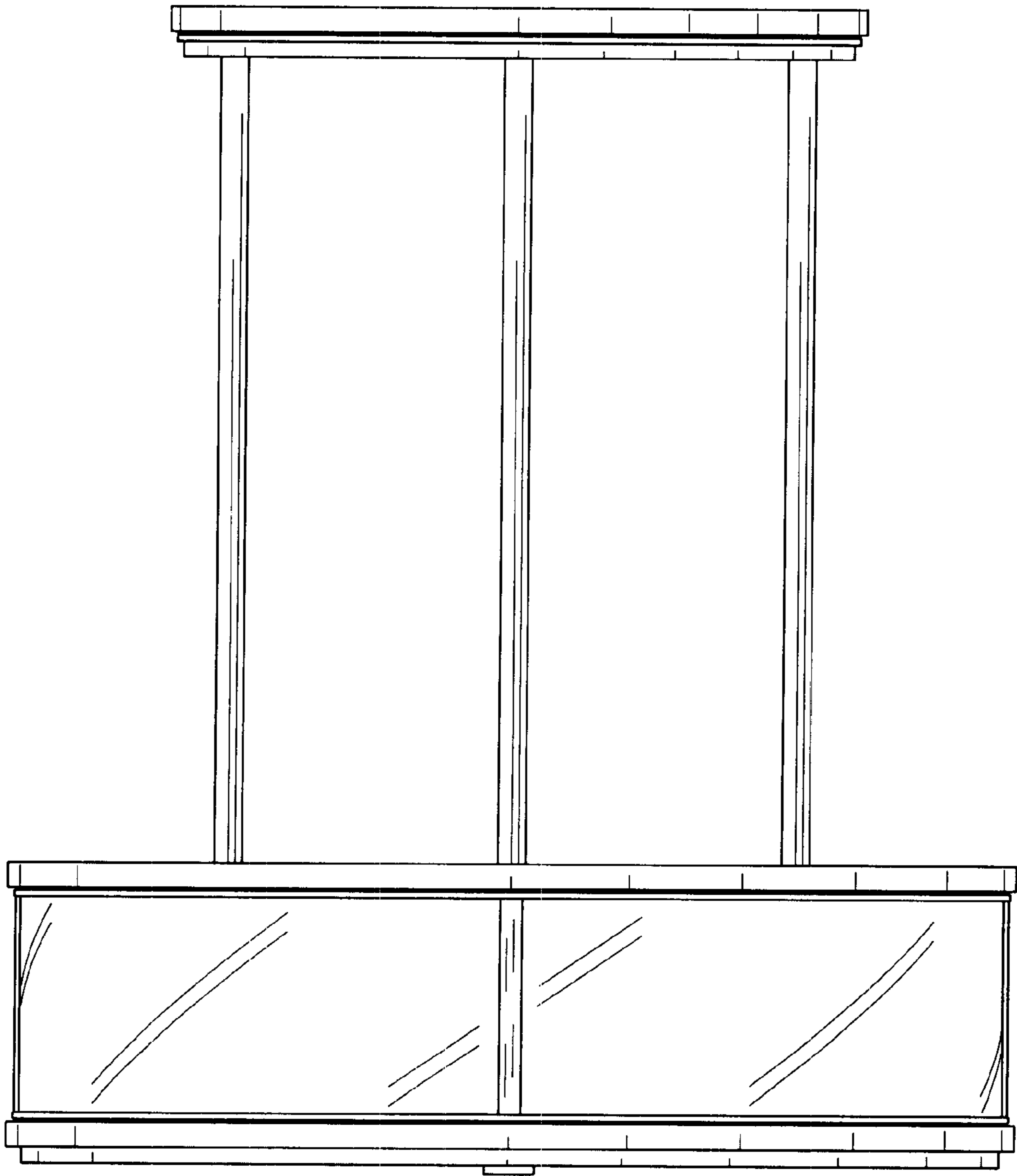


Fig. 4

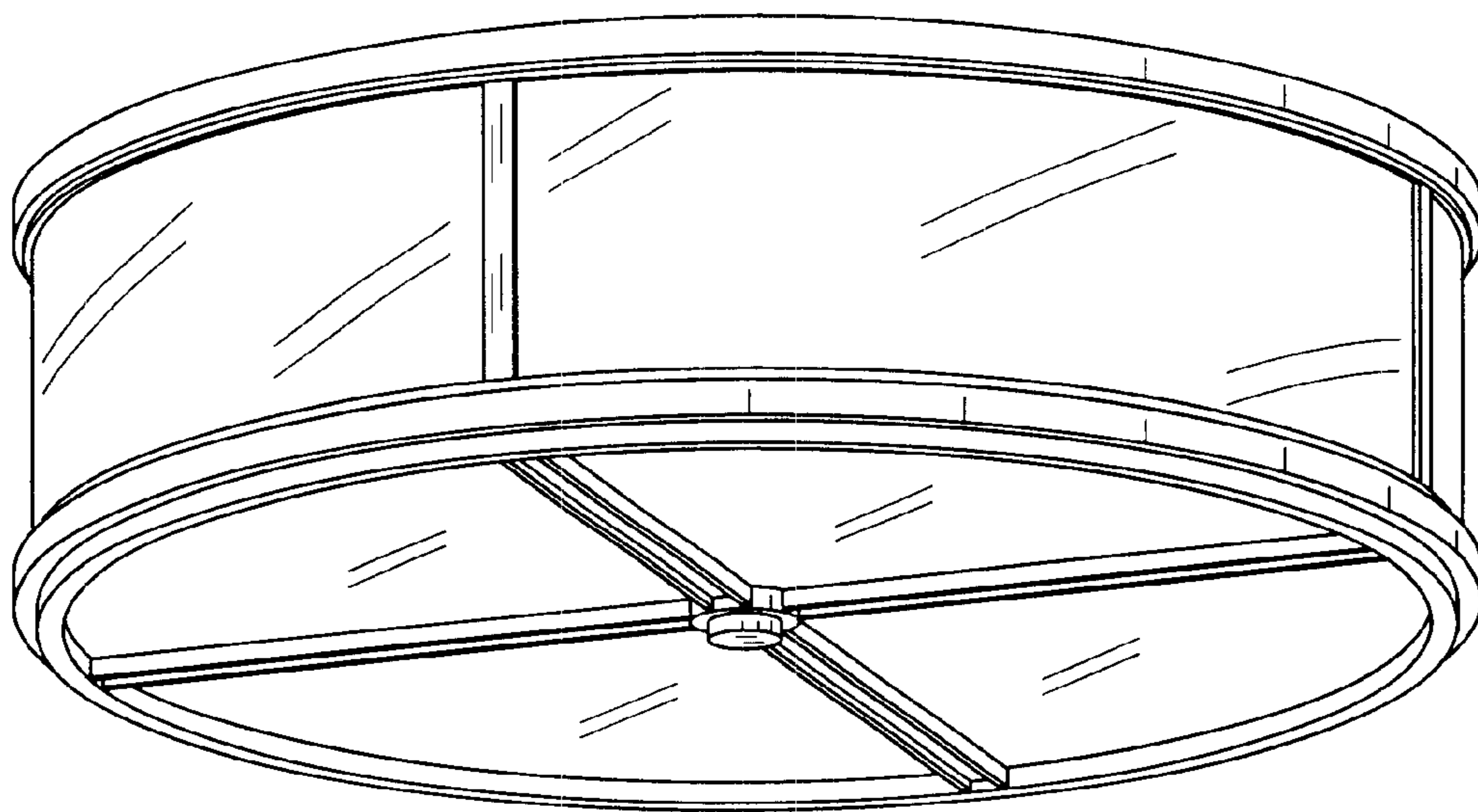
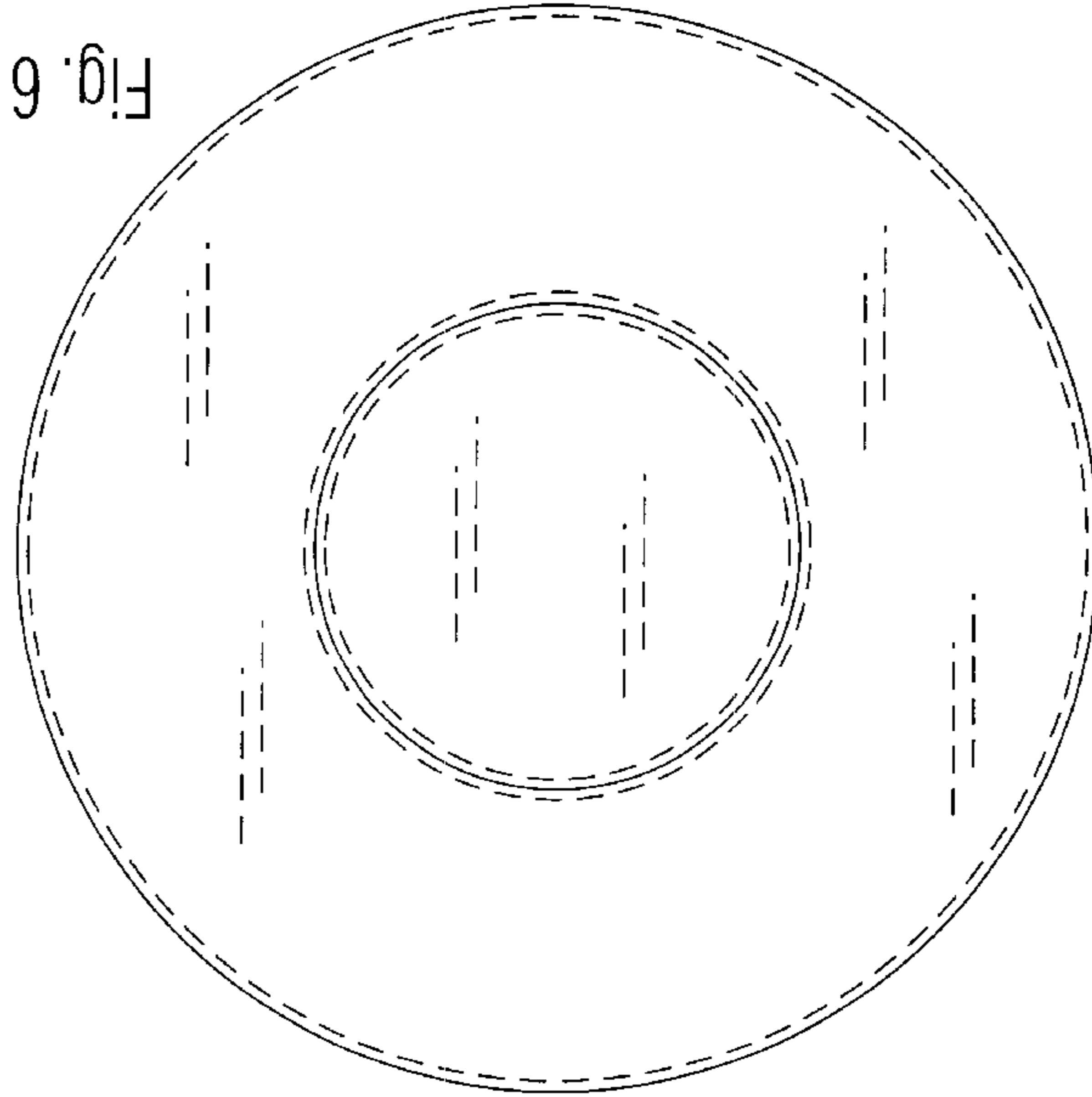
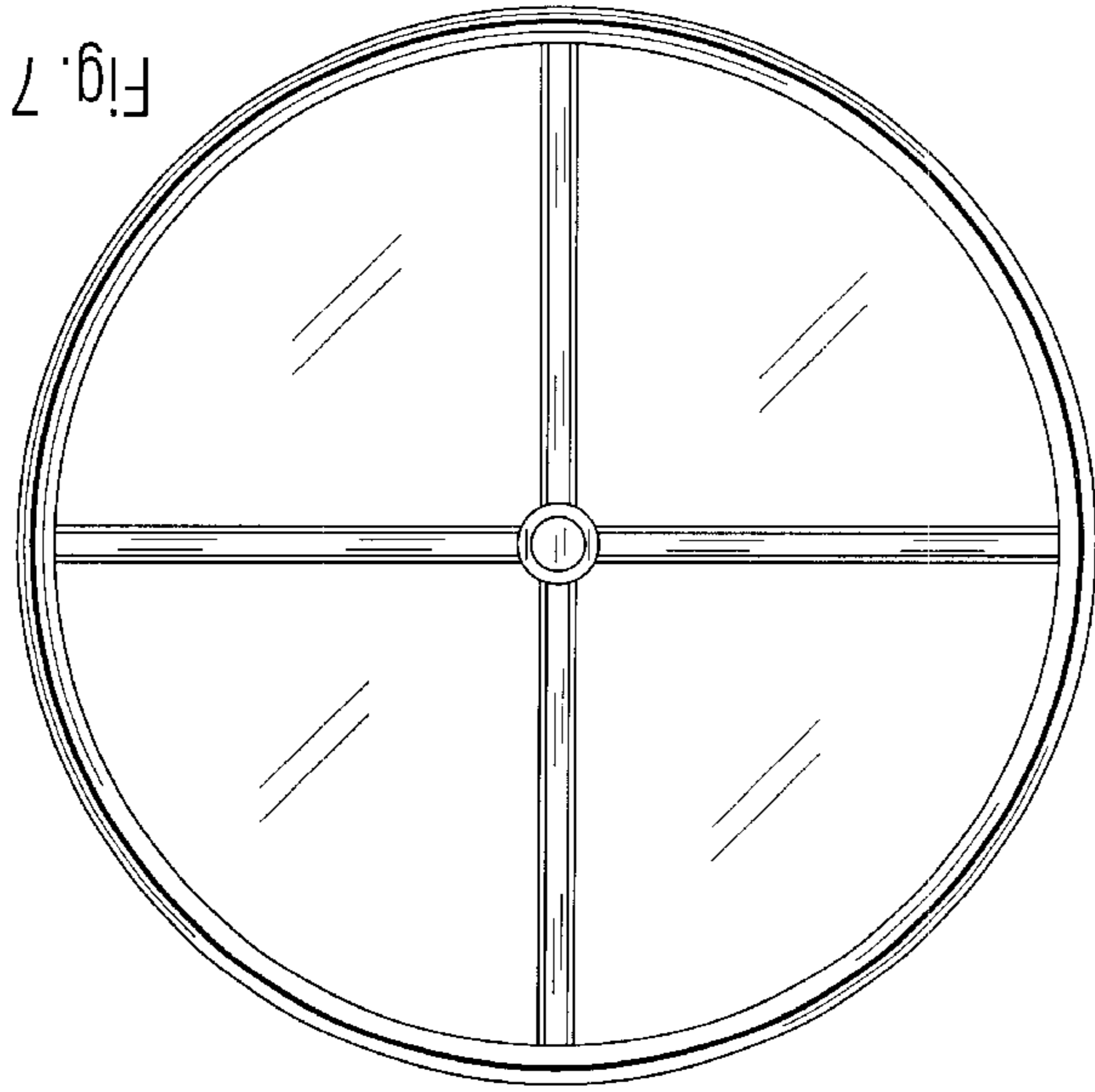


Fig. 5



5/6

FOR OFFICIAL USE ONLY

09-8-1+5	226 88
CLASSIFIED	DATE
BY	BY

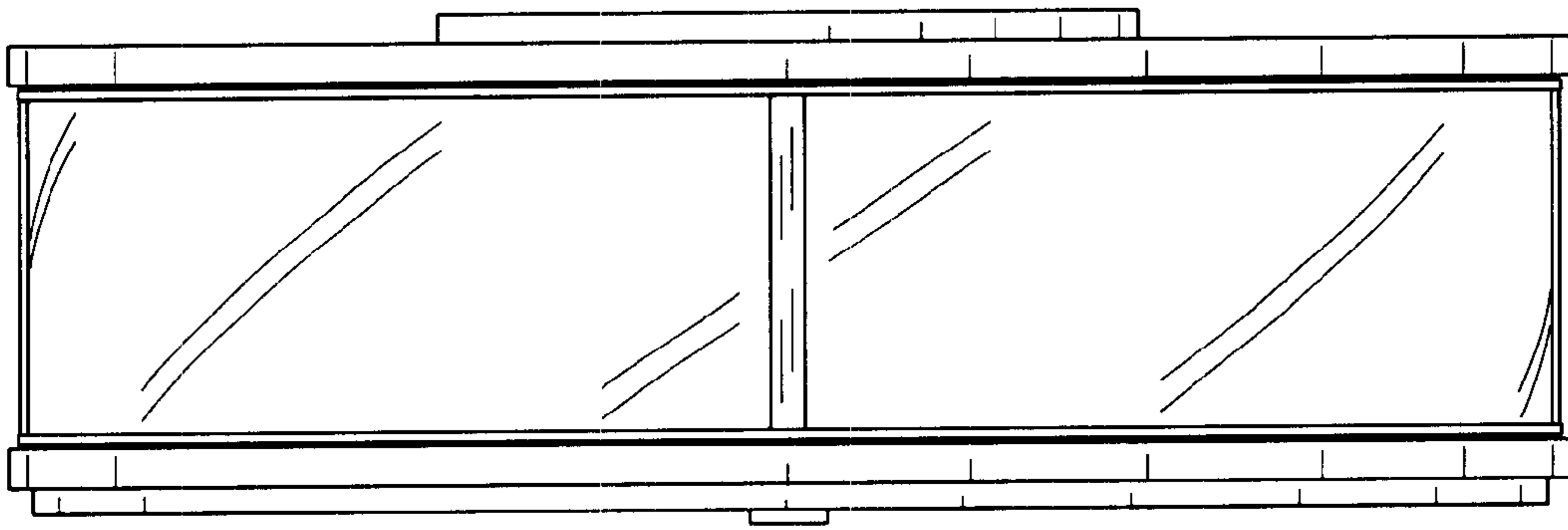


Fig. 8