



US00D459521S

(12) **United States Design Patent**
Echito

(10) **Patent No.:** **US D459,521 S**

(45) **Date of Patent:** **** Jun. 25, 2002**

(54) **THREE PANEL UNDERCOUNTER LIGHT**

D411,326 S * 6/1999 Roorda D26/87
D452,340 S * 12/2001 Pickett et al. D26/76

(75) Inventor: **Cory Echito**, Mahwah, NJ (US)

* cited by examiner

(73) Assignee: **American Tack & Hardware Co., Inc.**, Monsey, NY (US)

Primary Examiner—Joel Sincavage

Assistant Examiner—Clare E. Heflin

(**) Term: **14 Years**

(74) *Attorney, Agent, or Firm*—Hedman & Costigan, P.C.

(21) Appl. No.: **29/143,646**

(57) **CLAIM**

(22) Filed: **Jun. 14, 2001**

The ornamental design for a three panel undercounter light, as shown and described.

(51) **LOC (7) Cl.** **26-03**

DESCRIPTION

(52) **U.S. Cl.** **D26/86**

(58) **Field of Search** D26/28, 35, 72,
D26/80–92; 362/147, 404–408, 217–223,
33, 240, 249, 250, 252

FIG. 1 is a bottom perspective view of the three panel undercounter light according to my design;

FIG. 2 is a front view of my design;

FIG. 3 is a left side view of my design with the right side view being a mirror image thereof, minus the power switch;

FIG. 4 is a back view of my design;

FIG. 5 is a bottom view of my design; and,

FIG. 6 is a top view of my design.

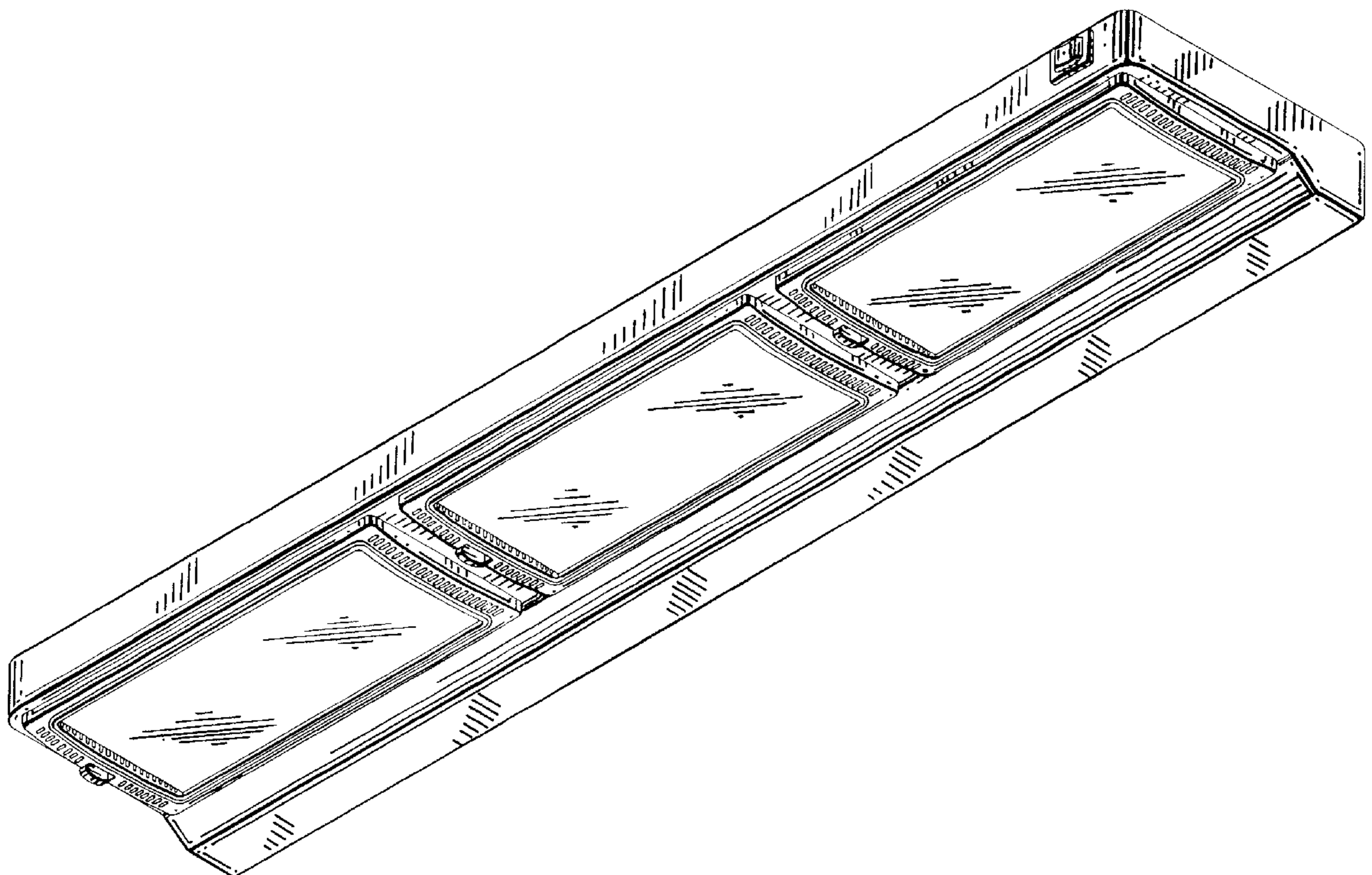
The broken lines shown in FIG. 4 are for illustrative purposes only and form no part of the claimed design.

(56) **References Cited**

U.S. PATENT DOCUMENTS

D267,516 S * 1/1983 Rambusch et al. D26/72
4,930,056 A * 5/1990 Stephenson et al. 362/364
D313,863 S * 1/1991 Macaluso D26/29
D411,324 S * 6/1999 Roorda D26/87
D411,325 S * 6/1999 Roorda D26/87

1 Claim, 4 Drawing Sheets



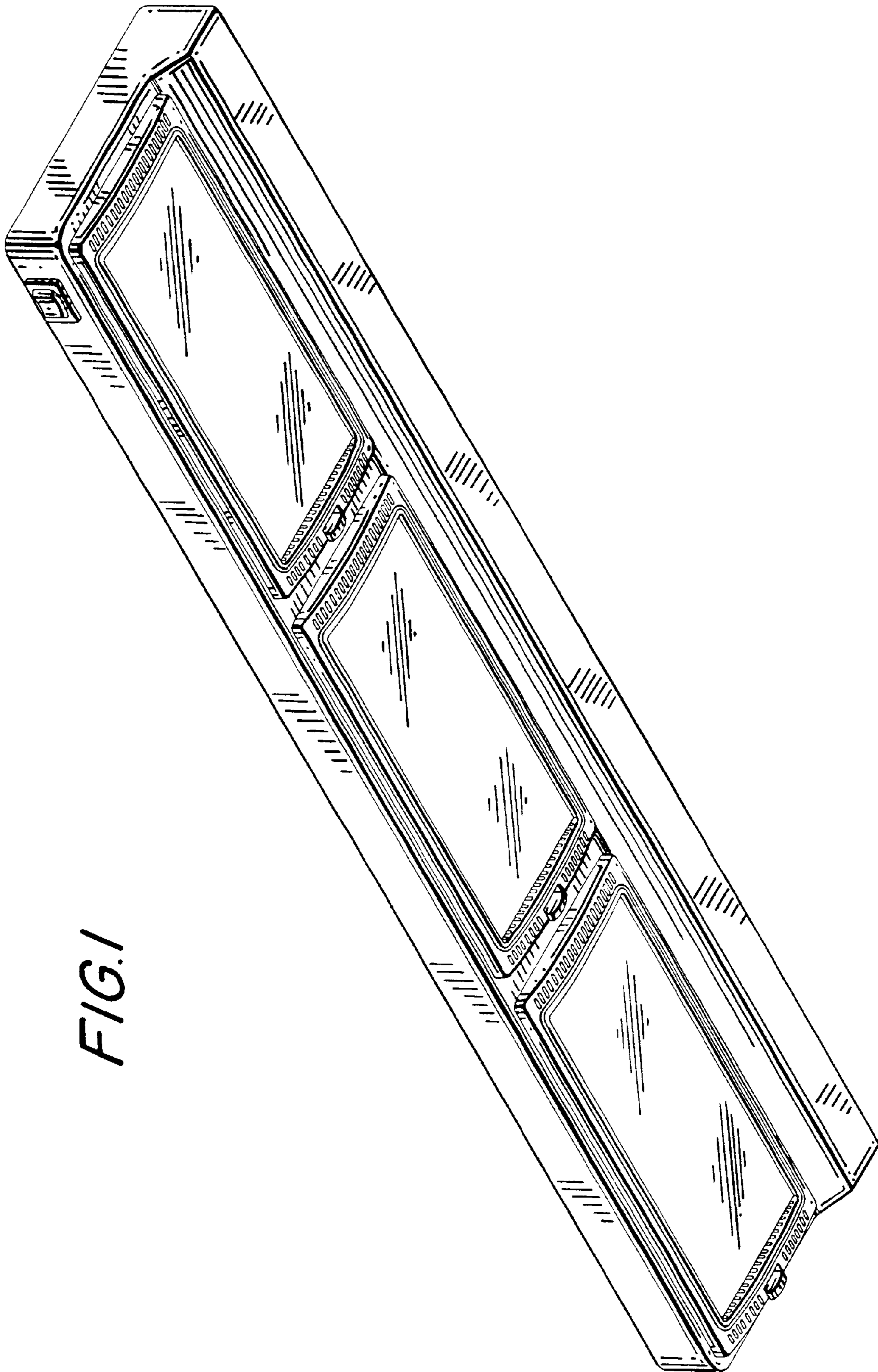


FIG. 1

FIG. 2



FIG. 3

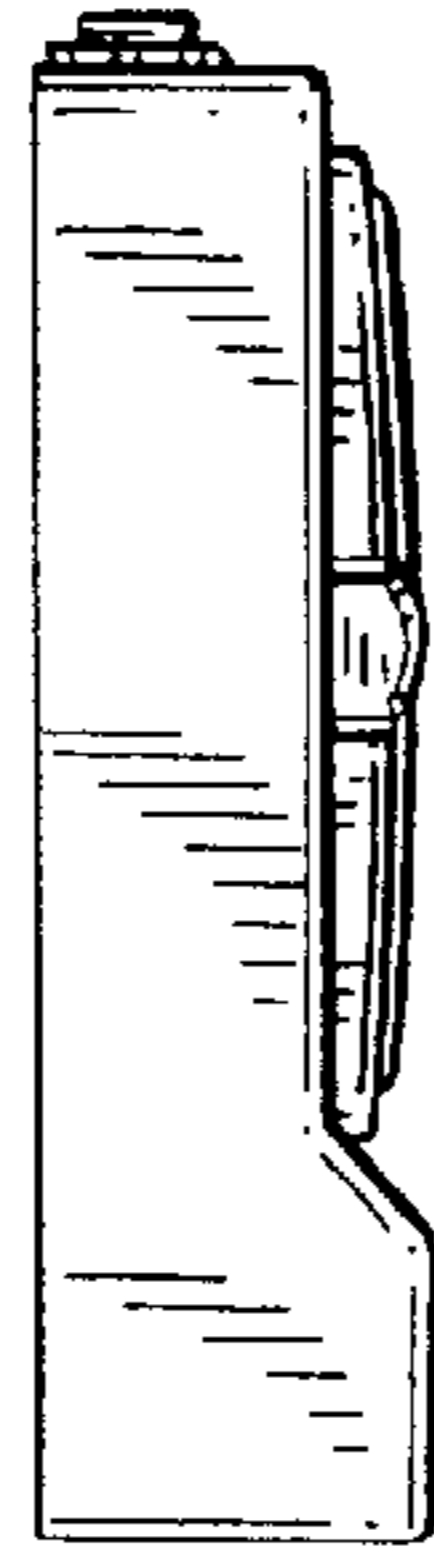


FIG. 4

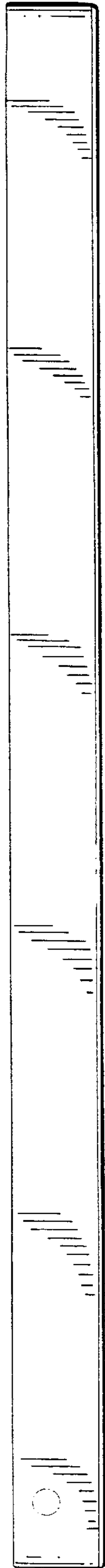


FIG. 5

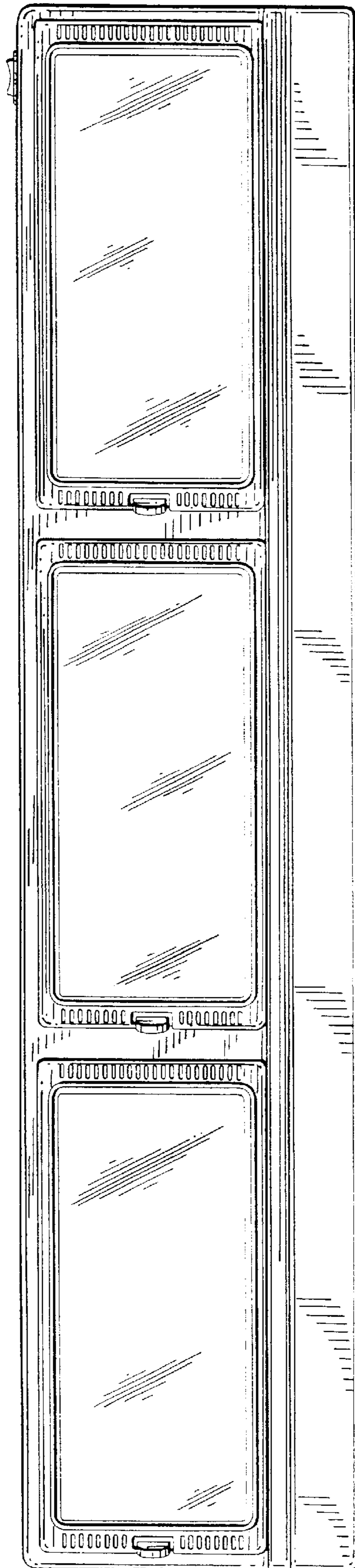


FIG. 6

