



US00D459516S

(12) **United States Design Patent**  
**Demers et al.**

(10) **Patent No.:** **US D459,516 S**  
(45) **Date of Patent:** **\*\* Jun. 25, 2002**

(54) **STRIP LIGHT**

(75) Inventors: **Ronald Demers**, Campbell Hall, NY (US); **Cory Echito**, Mahwah, NJ (US)

(73) Assignee: **American Tack & Hardware Co., Inc.**, Monsey, NY (US)

(\*\*) Term: **14 Years**

(21) Appl. No.: **29/145,642**

(22) Filed: **Jul. 26, 2001**

(51) **LOC (7) Cl.** ..... **26-03**

(52) **U.S. Cl.** ..... **D26/75**

(58) **Field of Search** ..... D26/72-92; 362/217-223, 362/347, 361

(56) **References Cited**

**U.S. PATENT DOCUMENTS**

3,974,418	A	*	8/1976	Fridrich	.....	D26/78	X
D258,009	S	*	1/1981	Wotowiec et al.	.....	D26/75	
5,369,558	A	*	11/1994	Munz	.....	362/375	
D356,382	S	*	3/1995	Jaksich	.....	D26/75	
D425,234	S	*	5/2000	Marier	.....	D26/78	

**OTHER PUBLICATIONS**

Habitat Inc./ Sep. 1980 catalog, p. 3; first 3 fixtures from top of page.\*

Home Lighting and Accessories/ Jun. 2001; p. 90; SATCO Products' "Liteline". Bottom left of page.\*

\* cited by examiner

*Primary Examiner*—Alan P. Douglas

*Assistant Examiner*—Clare E. Heflin

(74) *Attorney, Agent, or Firm*—Hedman & Costigan, P.C.

(57) **CLAIM**

The ornamental design for a strip light, as shown and described.

**DESCRIPTION**

FIG. 1 is a front perspective view of the strip light according to our design;

FIG. 2 is a right side view of our design which is the mirror image of the left side view of our design;

FIG. 3 is a top view of our design which is a mirror image of the right side view;

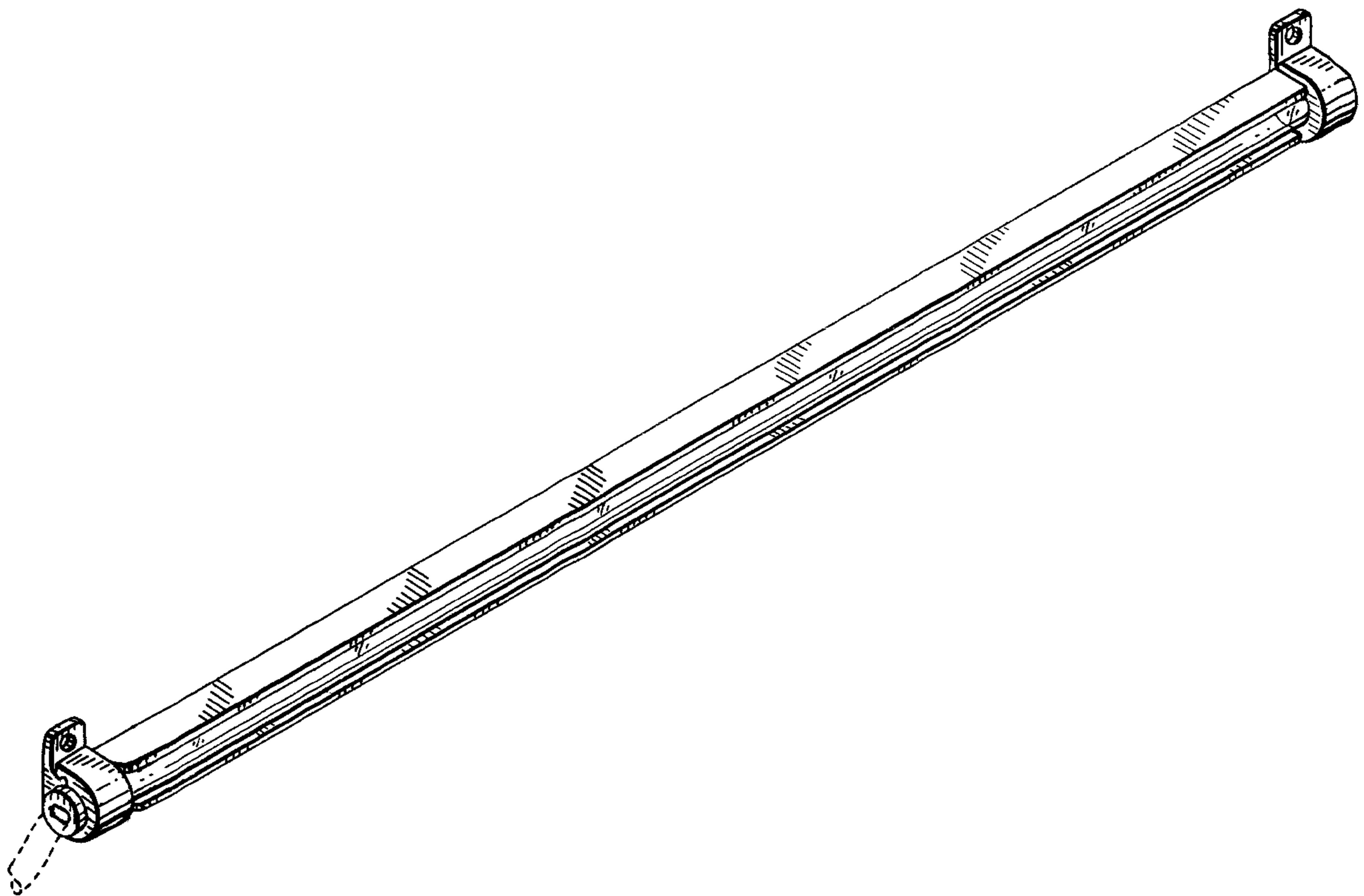
FIG. 4 is a front view of our design;

FIG. 5 is a back view of our design; and,

FIG. 6 is a bottom view of our design.

The broken lines shown on the drawings are for illustrative purposes only and form no part of the claimed design.

**1 Claim, 2 Drawing Sheets**



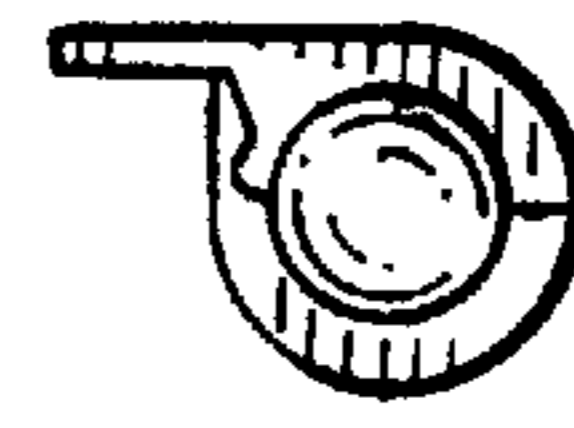
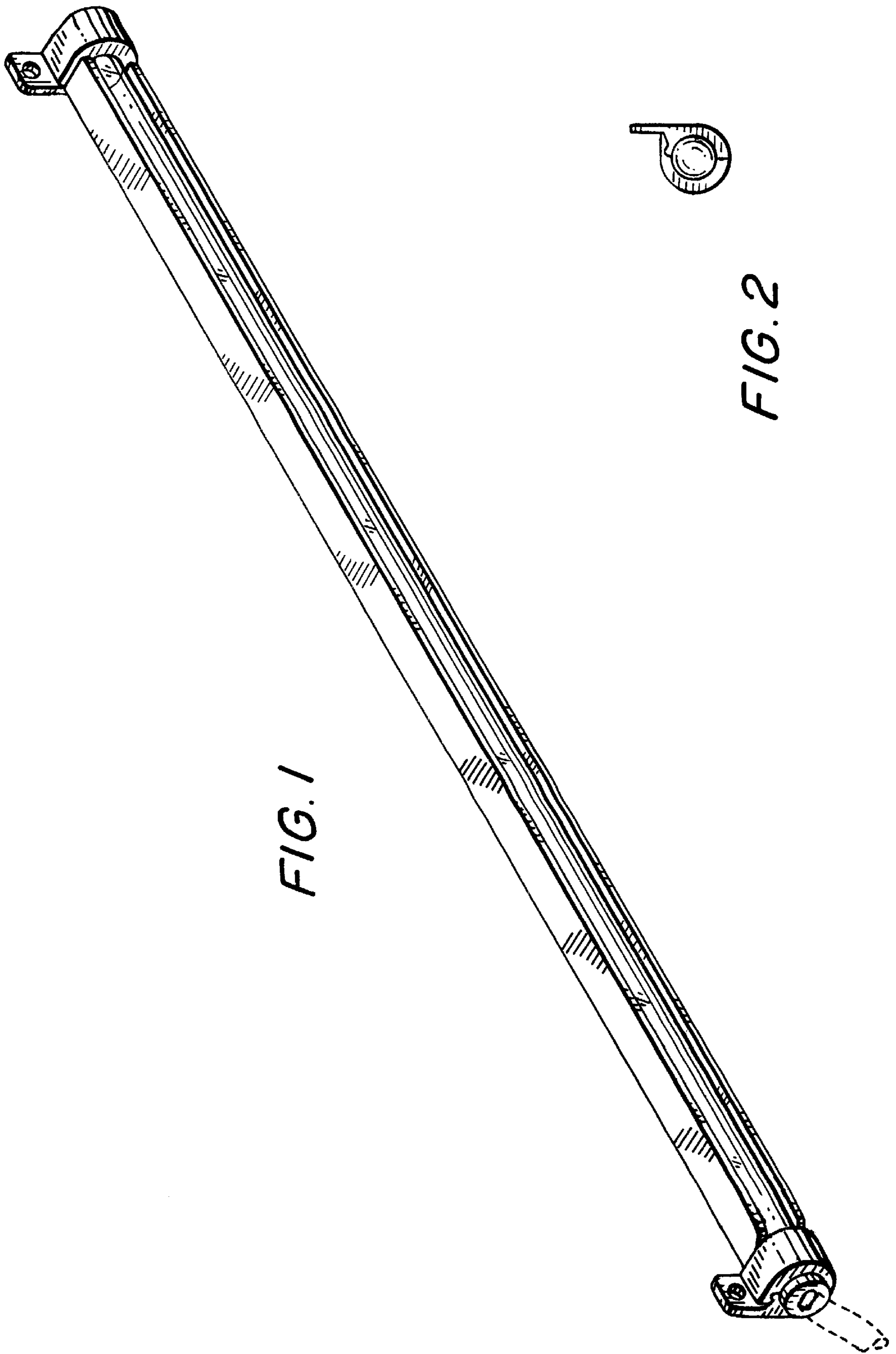
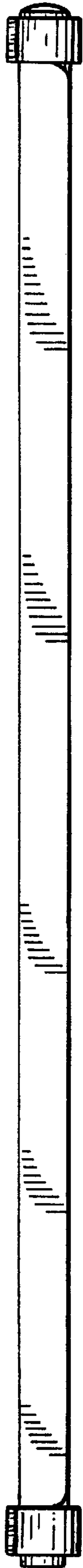
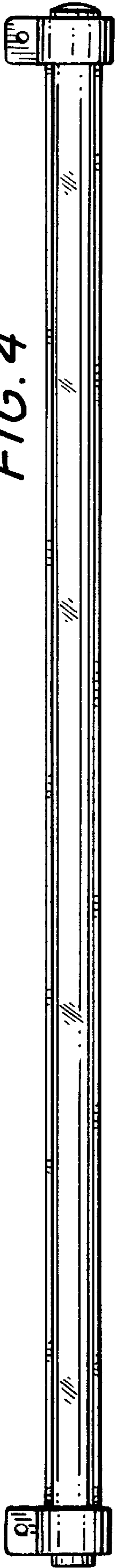


FIG. 2

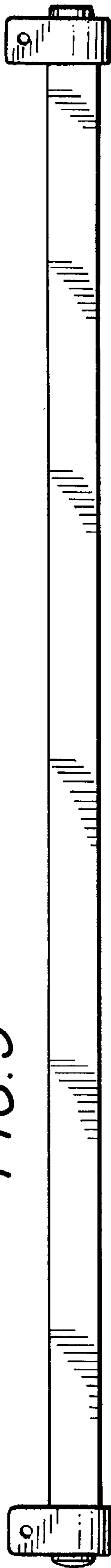
*FIG. 3*



*FIG. 4*



*FIG. 5*



*FIG. 6*

