



US00D459515S

(12) **United States Design Patent** (10) **Patent No.:** **US D459,515 S**
Gaskins et al. (45) **Date of Patent:** **** Jun. 25, 2002**

(54) **LANDSCAPE LUMINAIRE**

(75) Inventors: **Robert J. Gaskins**, Pleasanton; **Joel S. Cohen**, Oakland, both of CA (US)

(73) Assignee: **Genlyte Thomas Group LLC**,
Louisville, KY (US)

(**) Term: **14 Years**

(21) Appl. No.: **29/148,063**

(22) Filed: **Sep. 13, 2001**

(51) **LOC (7) Cl.** **26-05**

(52) **U.S. Cl.** **D26/67**

(58) **Field of Search** D26/67, 68, 72,
D26/74, 85; 362/147, 153, 153.1, 431;
52/159.1

(56) **References Cited**

U.S. PATENT DOCUMENTS

D421,316 S * 2/2000 Fiorato D26/67

* cited by examiner

Primary Examiner—Marcus A. Jackson
(74) *Attorney, Agent, or Firm*—Jeffrey A. Haeberlin;
Middleton Reutlinger

(57) **CLAIM**

The ornamental design for a landscape luminaire, as shown and described.

DESCRIPTION

FIG. 1 is a front elevational view of a landscape luminaire showing our design;

FIG. 2 is a side elevational view thereof, where the view of the opposite side is a mirror image of this view and, therefore, has been omitted;

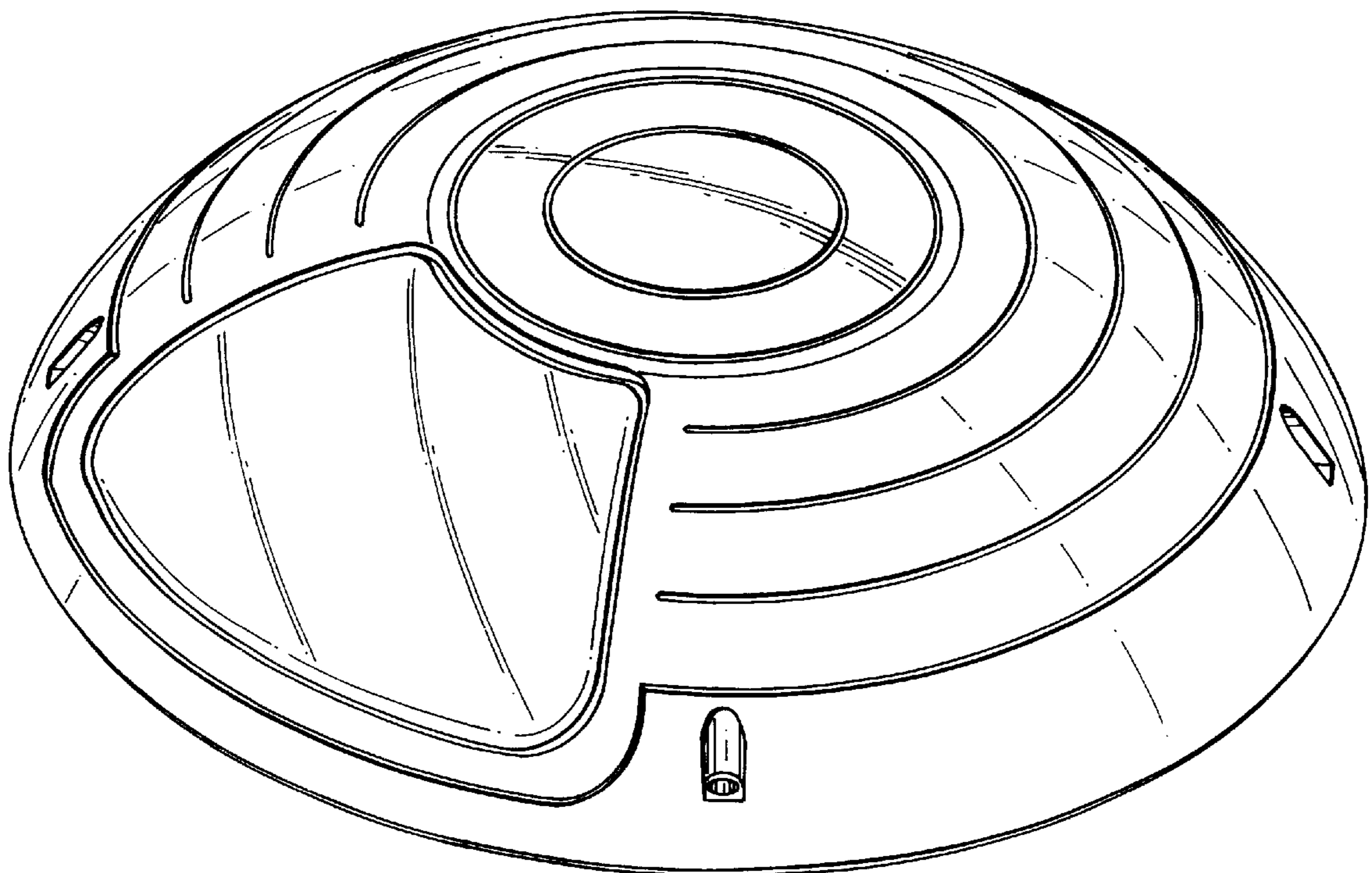
FIG. 3 is a top plan view thereof; and,

FIG. 4 is a perspective view thereof.

The bottom of the landscape luminaire is flat and unornamented. Thus, the view of the bottom has been omitted.

Additionally, it should be noted that the luminaire may be mounted in alternate orientations without variation of the design disclosed herein.

1 Claim, 3 Drawing Sheets



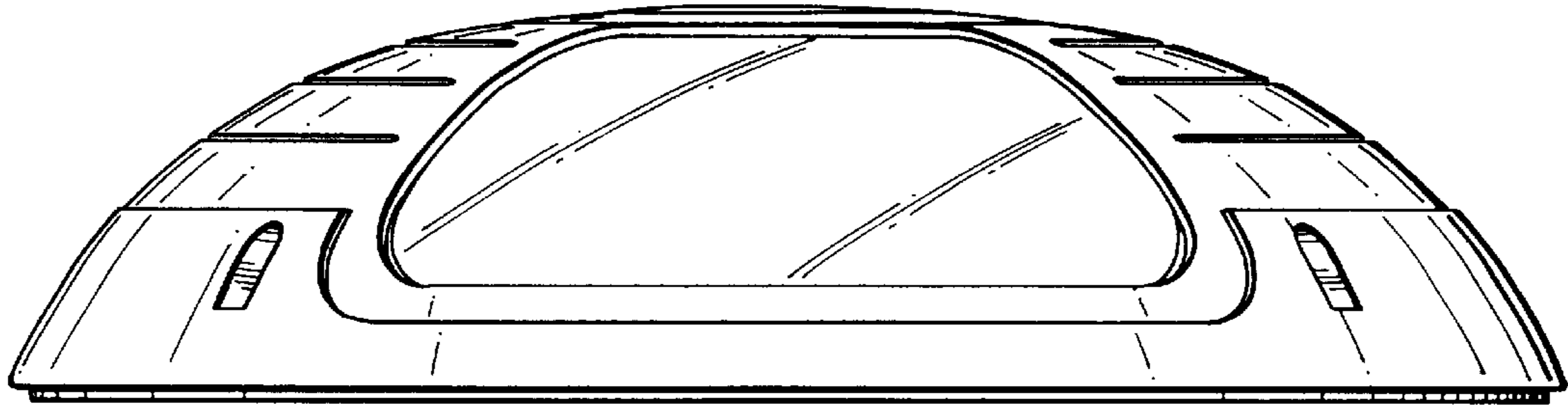


FIG. 1

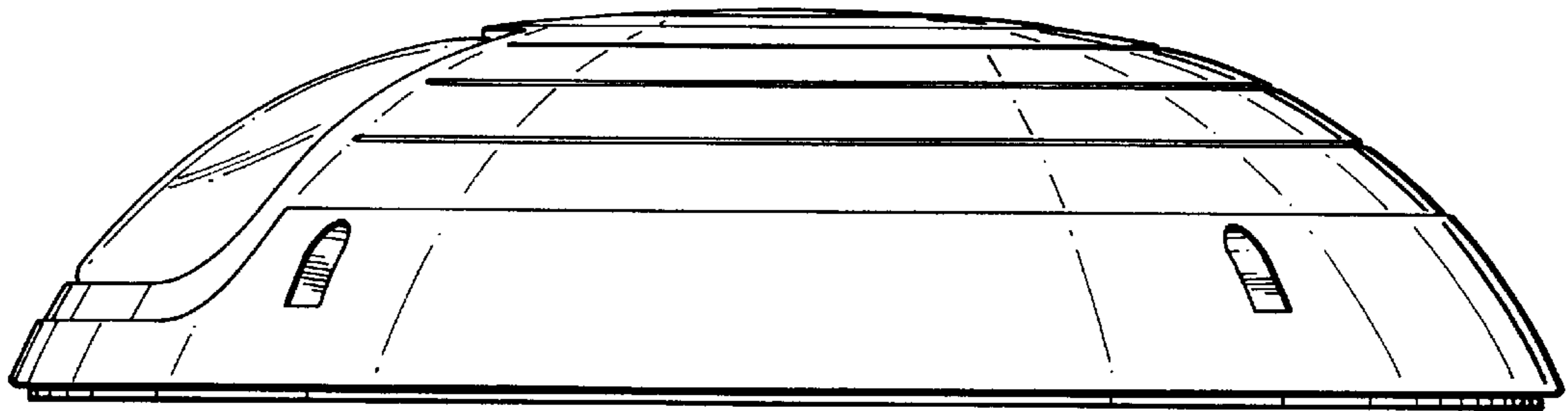


FIG. 2

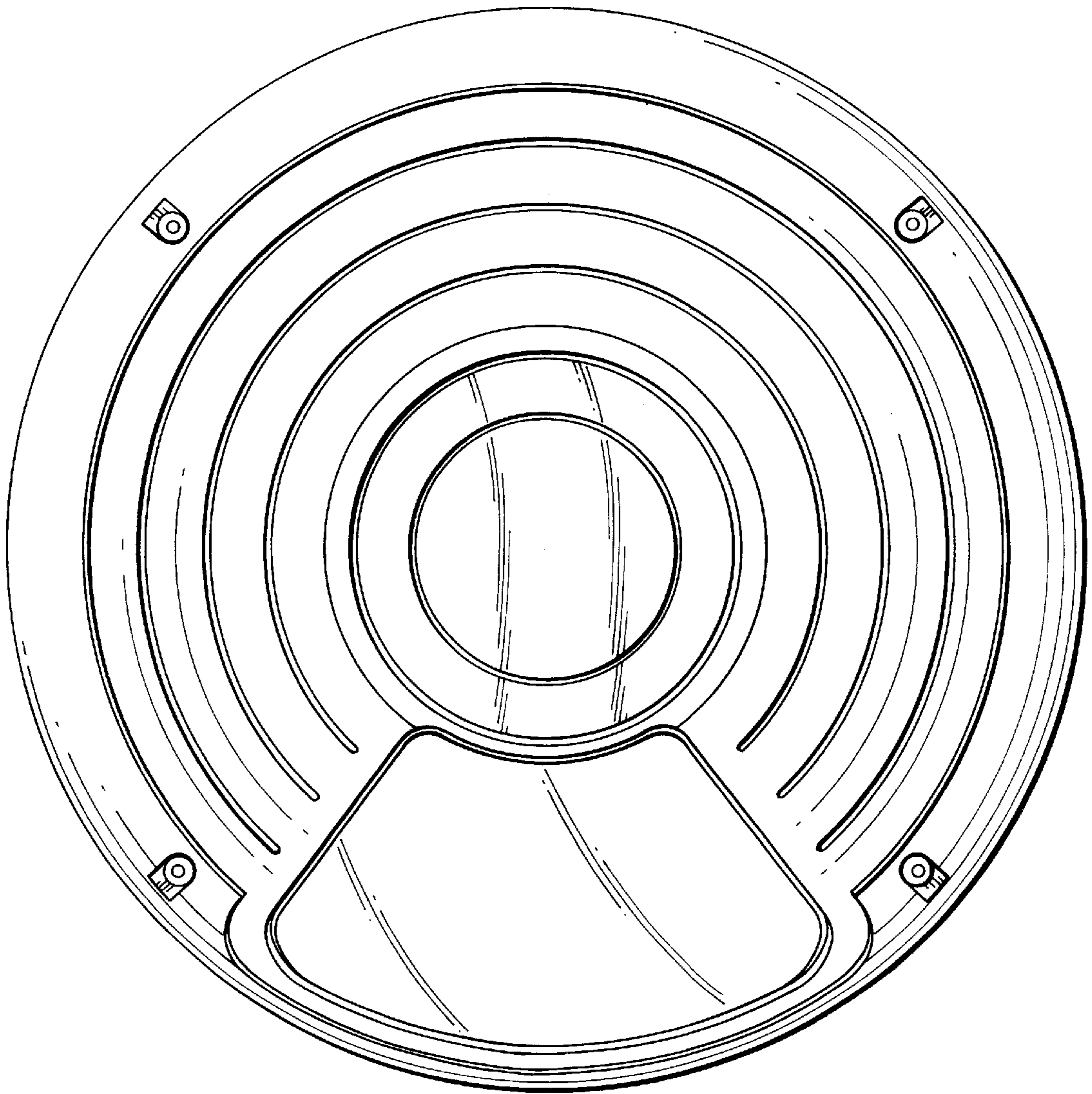


FIG. 3

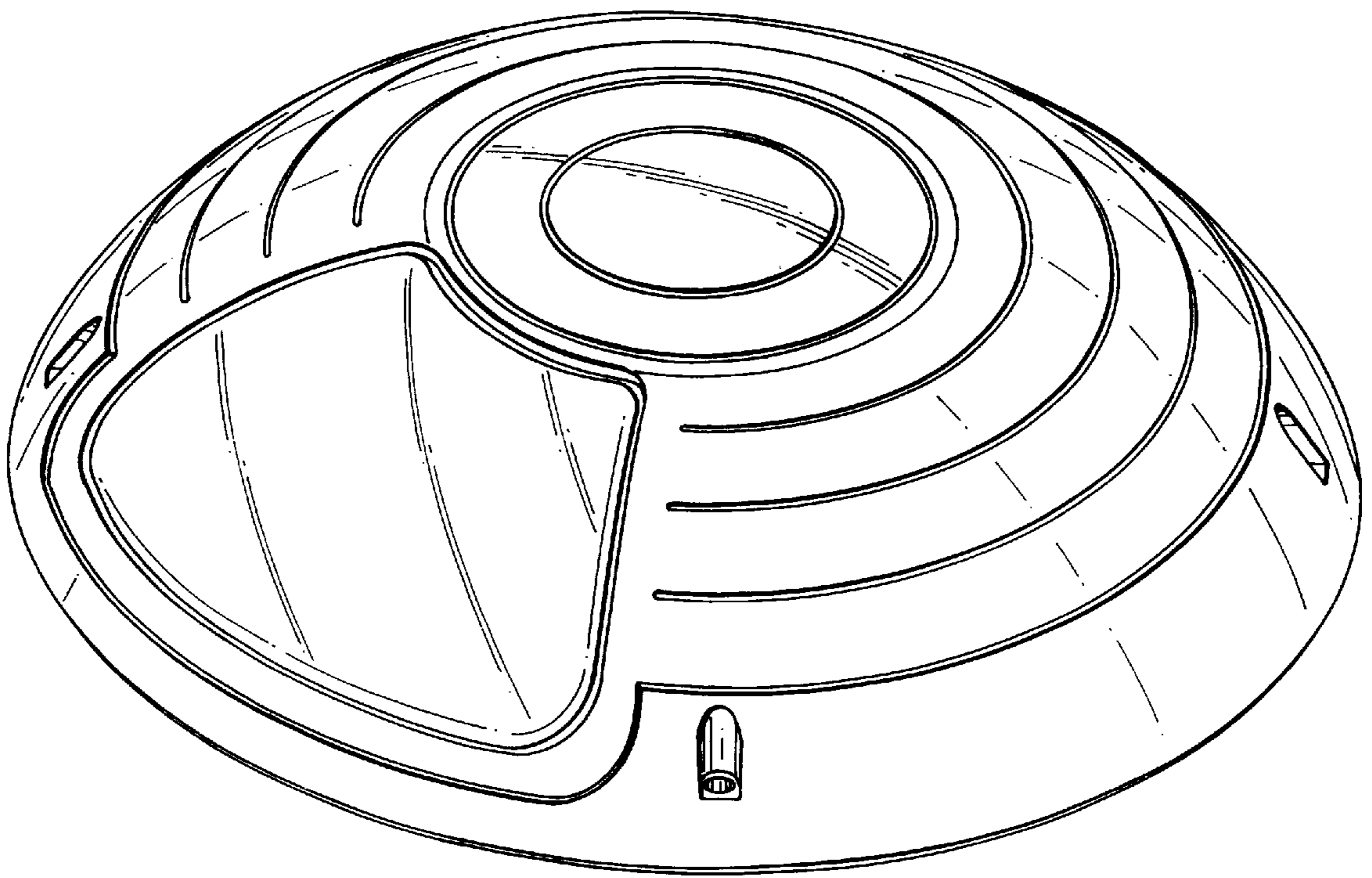


FIG. 4