



US00D459504S

(12) **United States Design Patent**  
**Chen**

(10) **Patent No.:** **US D459,504 S**

(45) **Date of Patent:** **\*\* Jun. 25, 2002**

(54) **LAMP**

(76) **Inventor:** **Tsang-I Chen**, Room 707, No. 293,  
Sung Chiang Rd., Taipei (TW)

(\*\*) **Term:** **14 Years**

(21) **Appl. No.:** **29/149,411**

(22) **Filed:** **Oct. 11, 2001**

(51) **LOC (7) Cl.** ..... **26-06**

(52) **U.S. Cl.** ..... **D26/26**

(58) **Field of Search** ..... D26/26, 93, 104,  
D26/107, 110; 362/338, 340, 226

(56) **References Cited**

**U.S. PATENT DOCUMENTS**

D409,317 S	*	5/1999	Yuen	.....	D26/26
D428,660 S	*	7/2000	Yuen	.....	D26/26
D431,873 S	*	10/2000	Petterson et al.	.....	D26/26
D432,688 S	*	10/2000	Petterson	.....	D26/26

D439,686 S \* 3/2001 Petterson et al. .... D26/26

\* cited by examiner

*Primary Examiner*—Marcus A. Jackson  
(74) *Attorney, Agent, or Firm*—Browdy and Neimark,  
P.L.L.C.

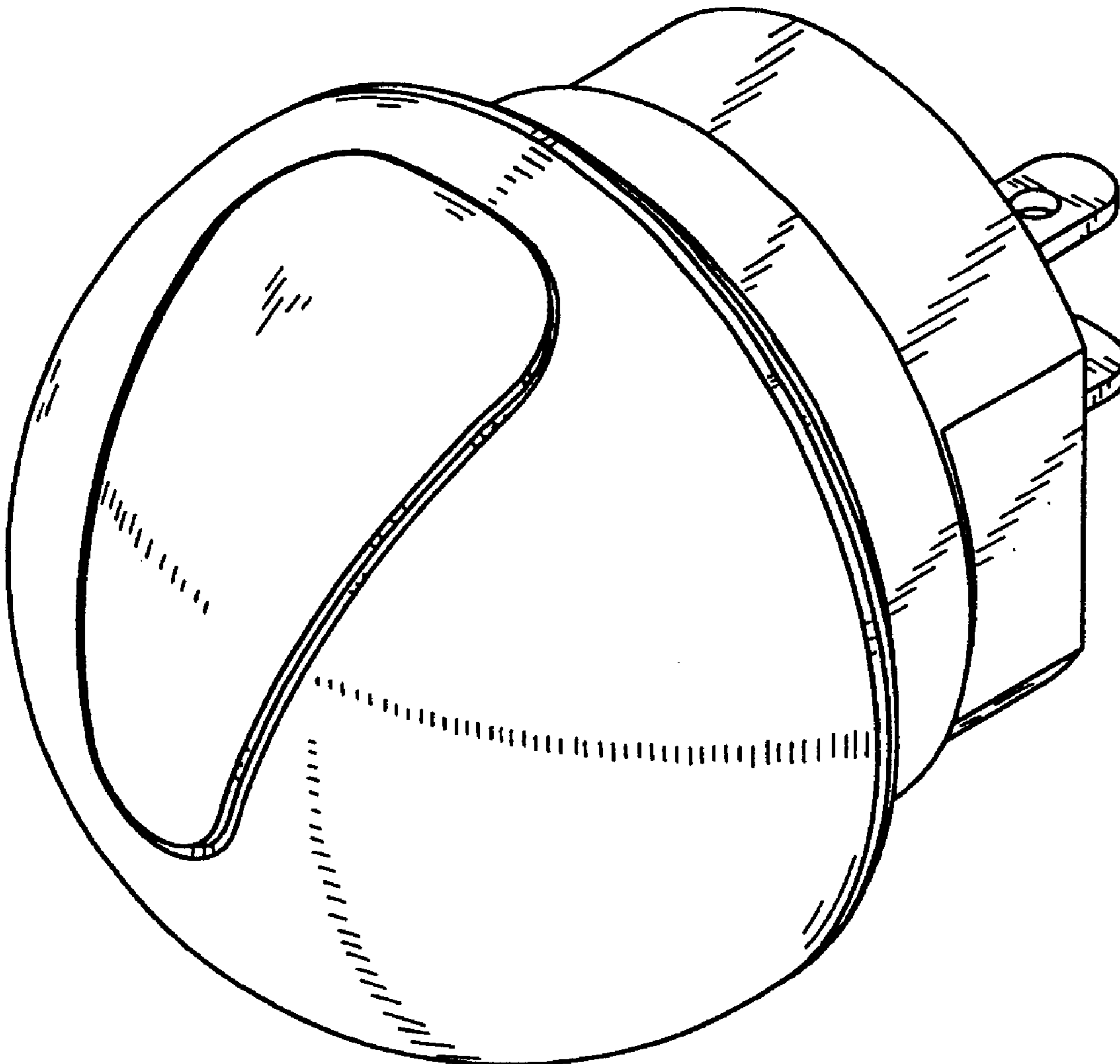
(57) **CLAIM**

The ornamental design for a lamp, as shown.

**DESCRIPTION**

FIG. 1 shows a perspective view of the present design.  
FIG. 2 shows a right side elevational view of the present design.  
FIG. 3 shows a top plan view of the present design.  
FIG. 4 shows a front elevational view of the present design.  
FIG. 5 shows a bottom plan view of the present design.  
FIG. 6 shows a left side elevational view of the present design; and,  
FIG. 7 shows a rear elevational view of the present design.

**1 Claim, 4 Drawing Sheets**



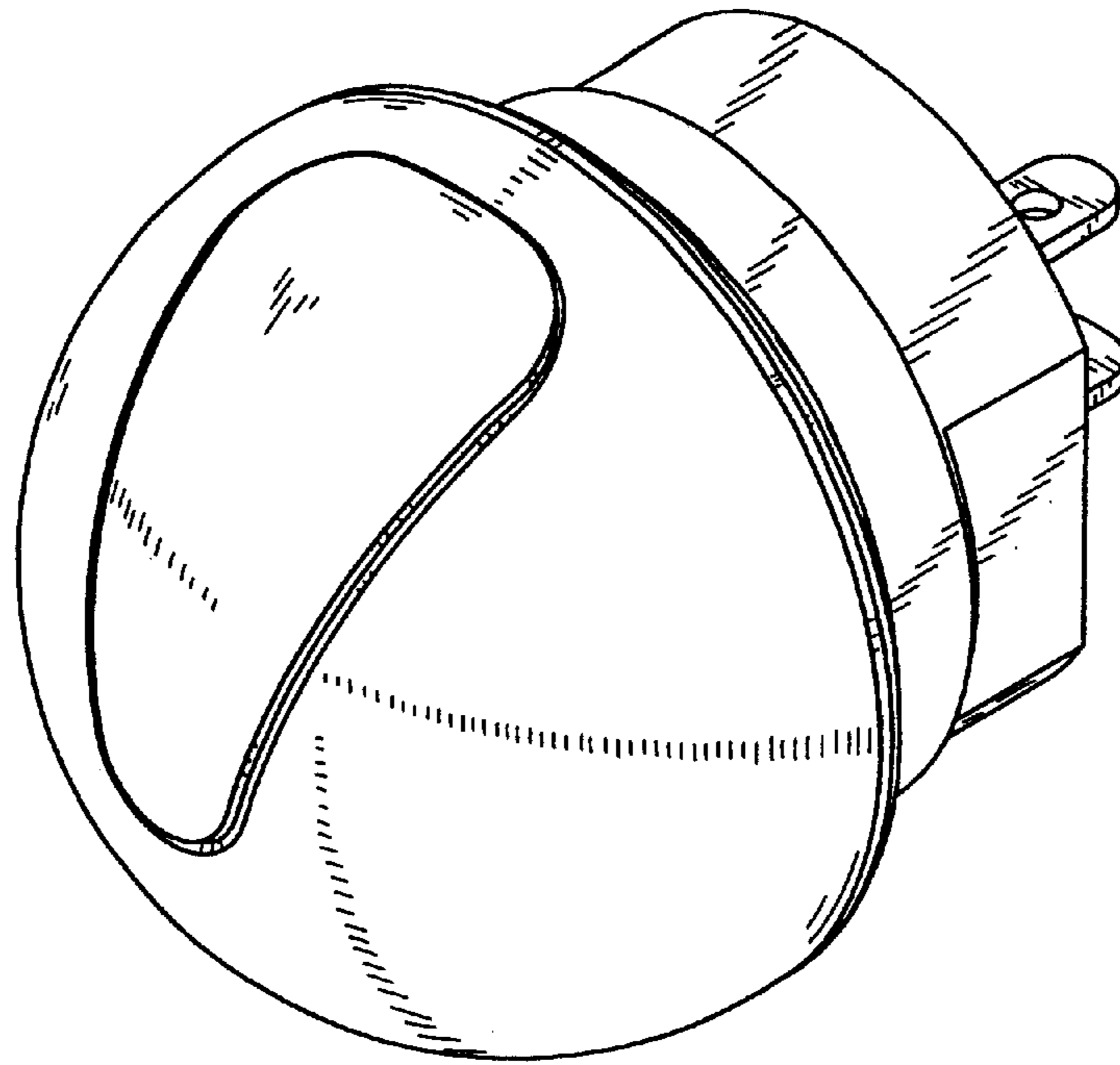


FIG. 1

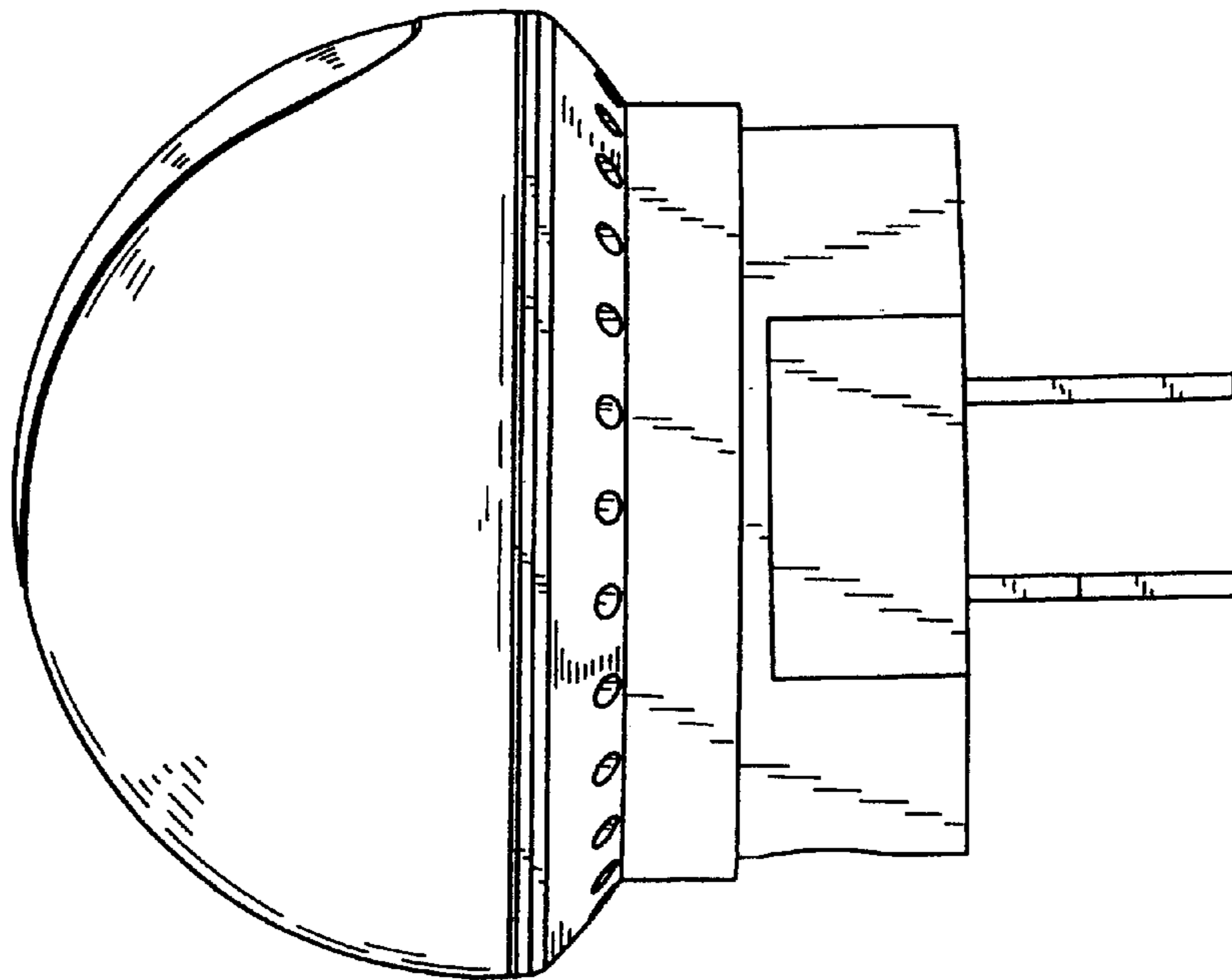


FIG. 2

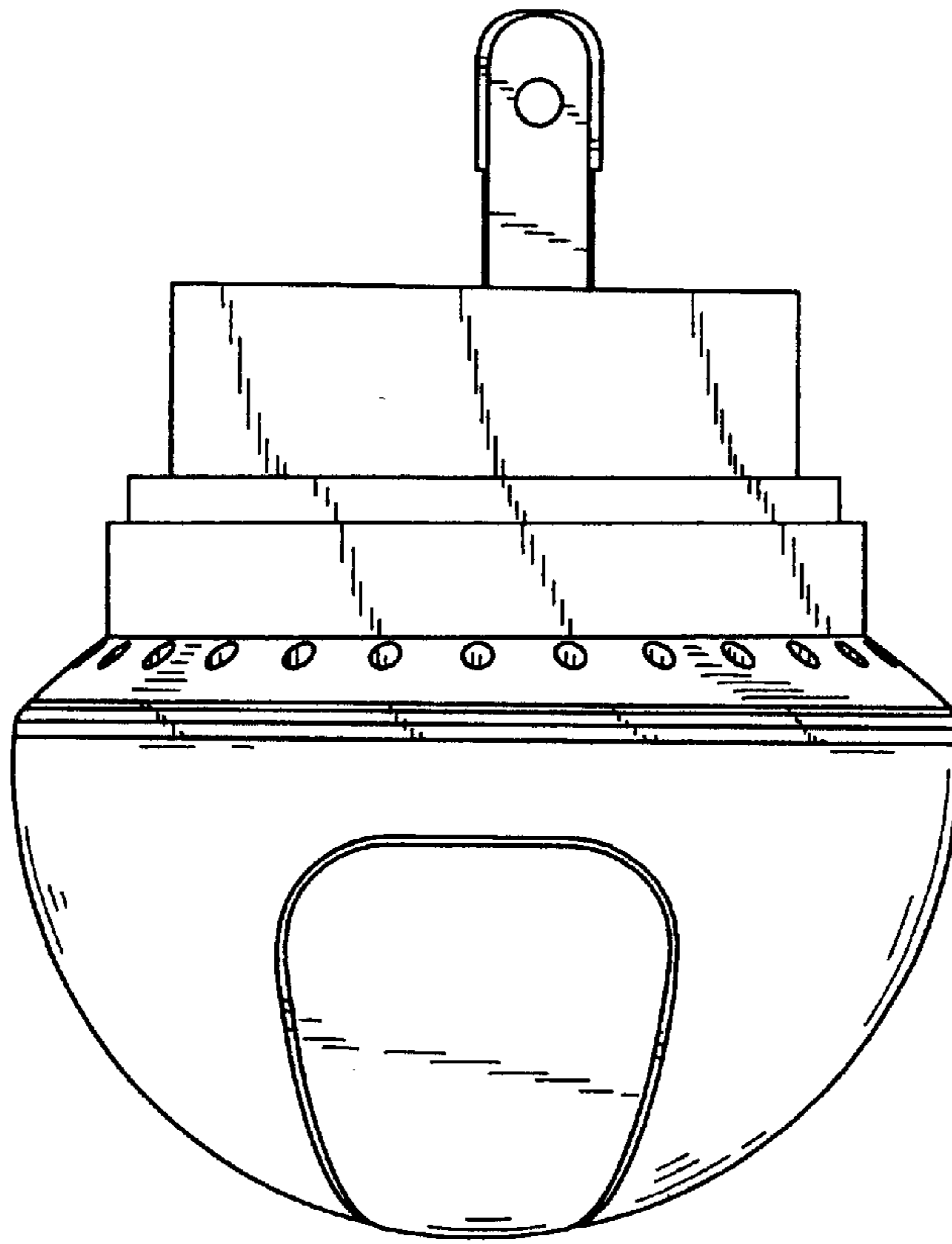


FIG. 3

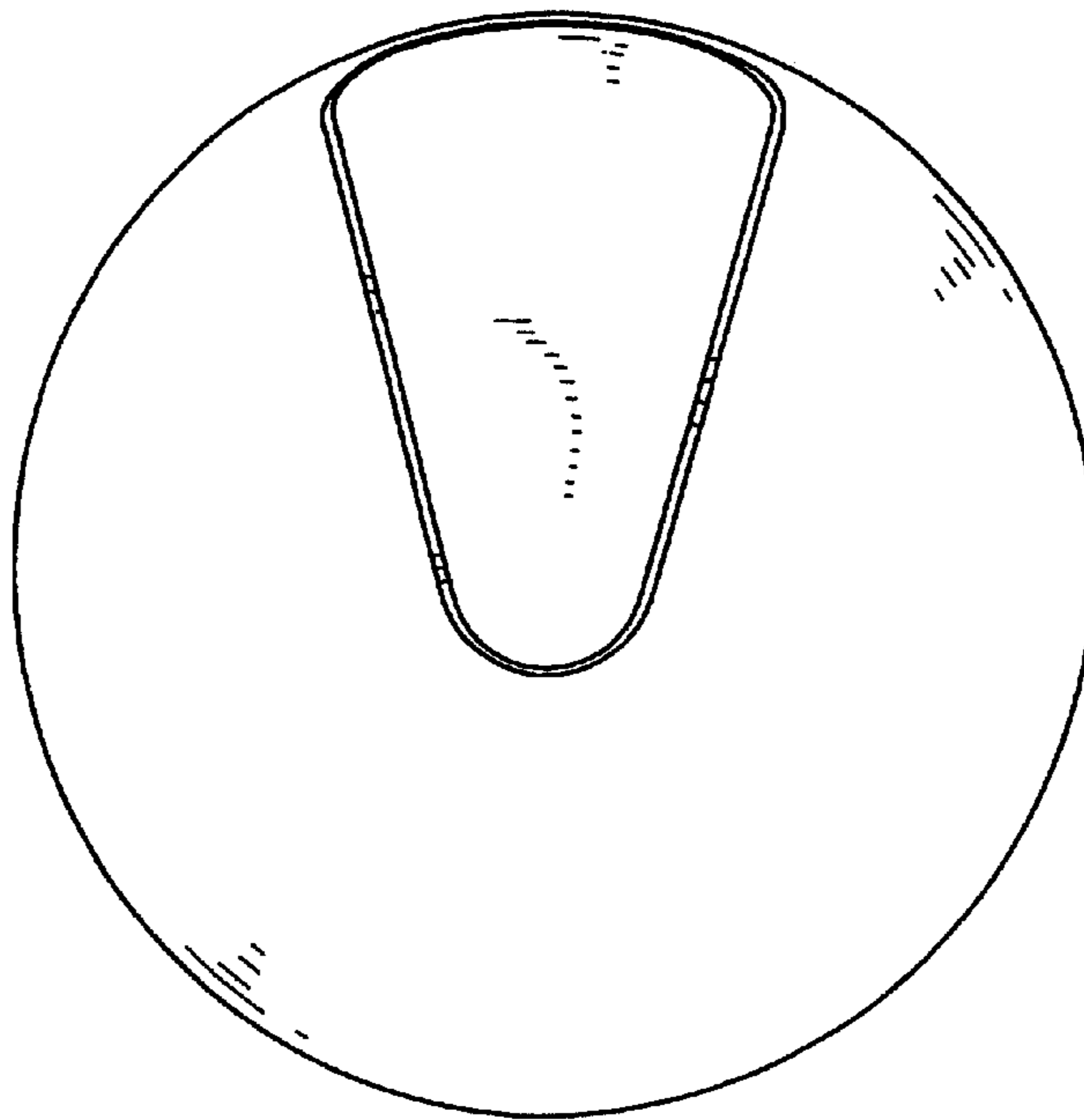


FIG. 4

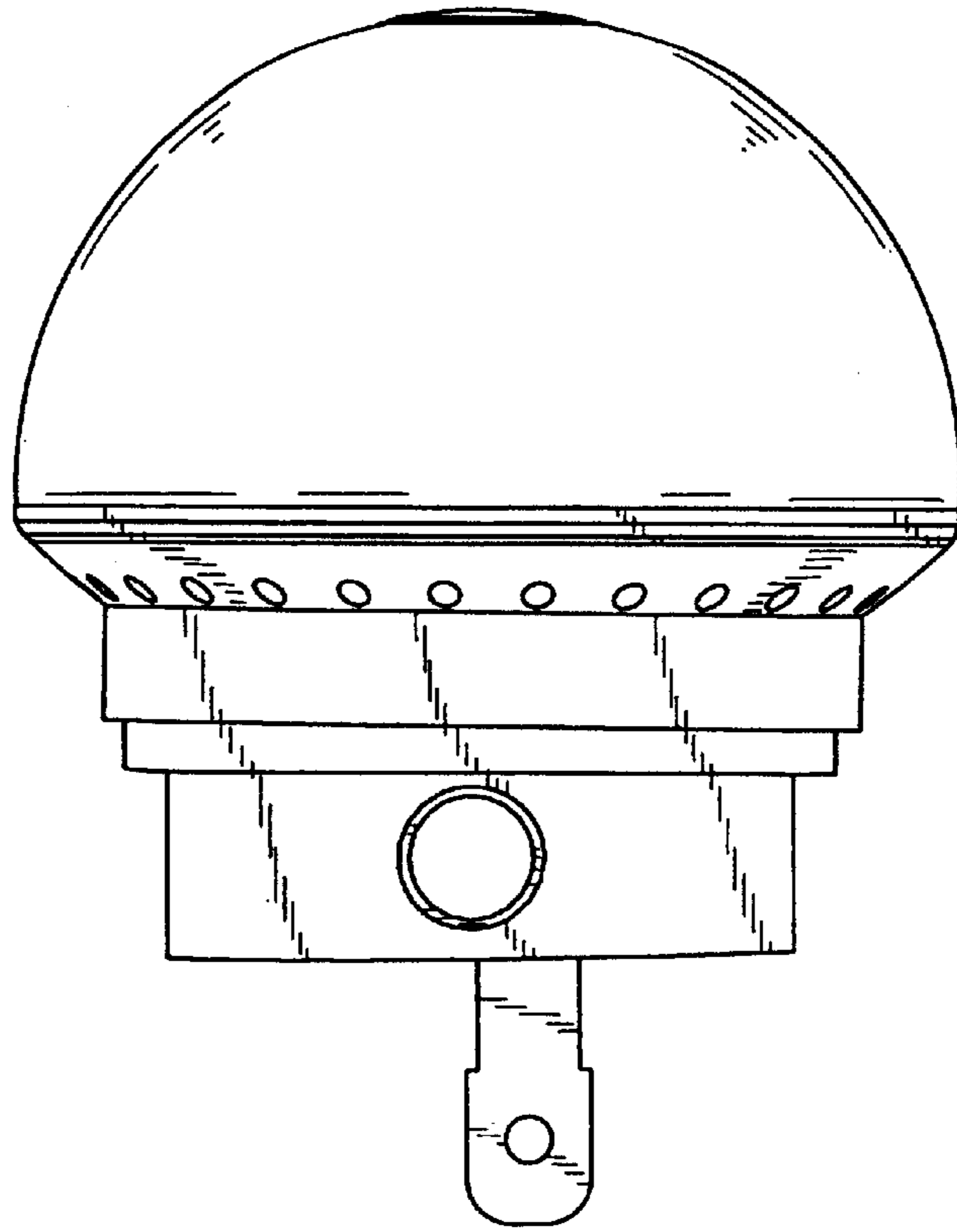


FIG. 5

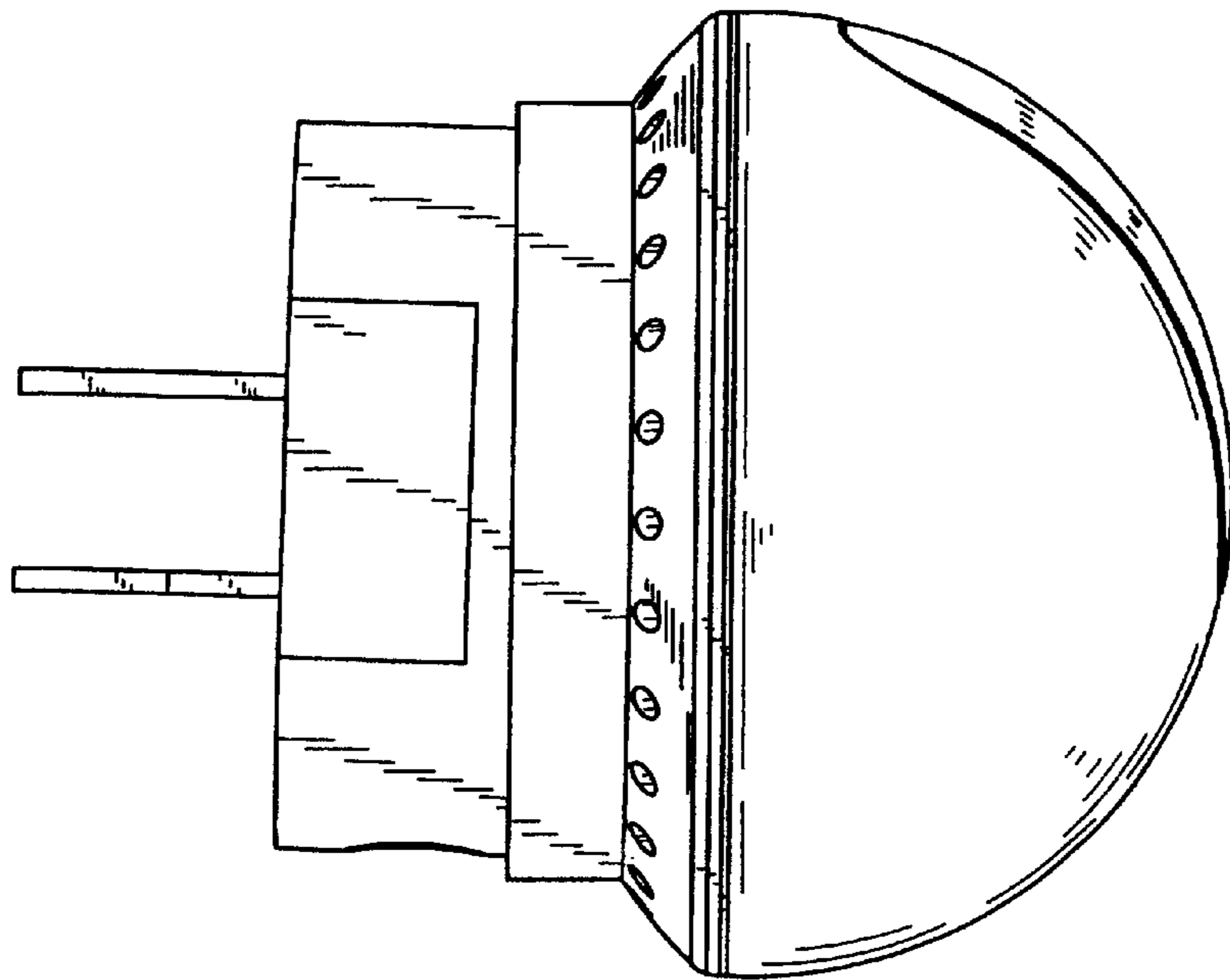


FIG. 6

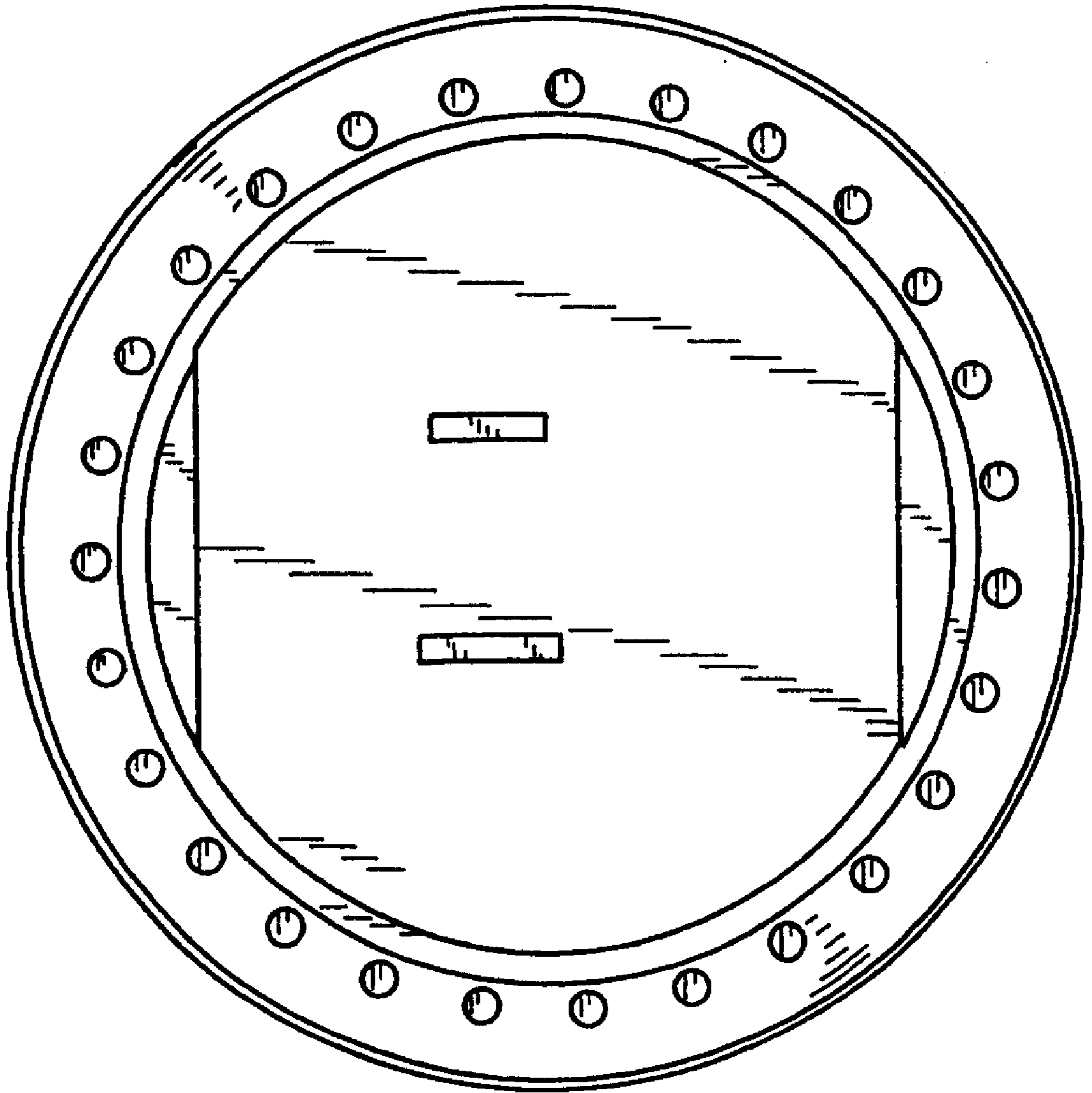


FIG. 7