



US00D459502S

(12) **United States Design Patent**
Chen

(10) **Patent No.:** **US D459,502 S**

(45) **Date of Patent:** **** Jun. 25, 2002**

(54) **LAMP**

D452,577 S * 12/2001 Liu et al. D26/26

(76) **Inventor:** **Tsang-I Chen**, Room 707, No. 293,
Sung Chiang Rd., Taipei (TW)

* cited by examiner

(**) **Term:** **14 Years**

Primary Examiner—Marcus A. Jackson
(74) *Attorney, Agent, or Firm*—Browdy and Neimark,
P.L.L.C.

(21) **Appl. No.:** **29/149,409**

(57) **CLAIM**

(22) **Filed:** **Oct. 11, 2001**

The ornamental design for a “lamp”, as shown.

(51) **LOC (7) Cl.** **26-06**

(52) **U.S. Cl.** **D26/26**

(58) **Field of Search** D26/26, 93, 104,
D26/107, 110; 362/226, 338, 340

DESCRIPTION

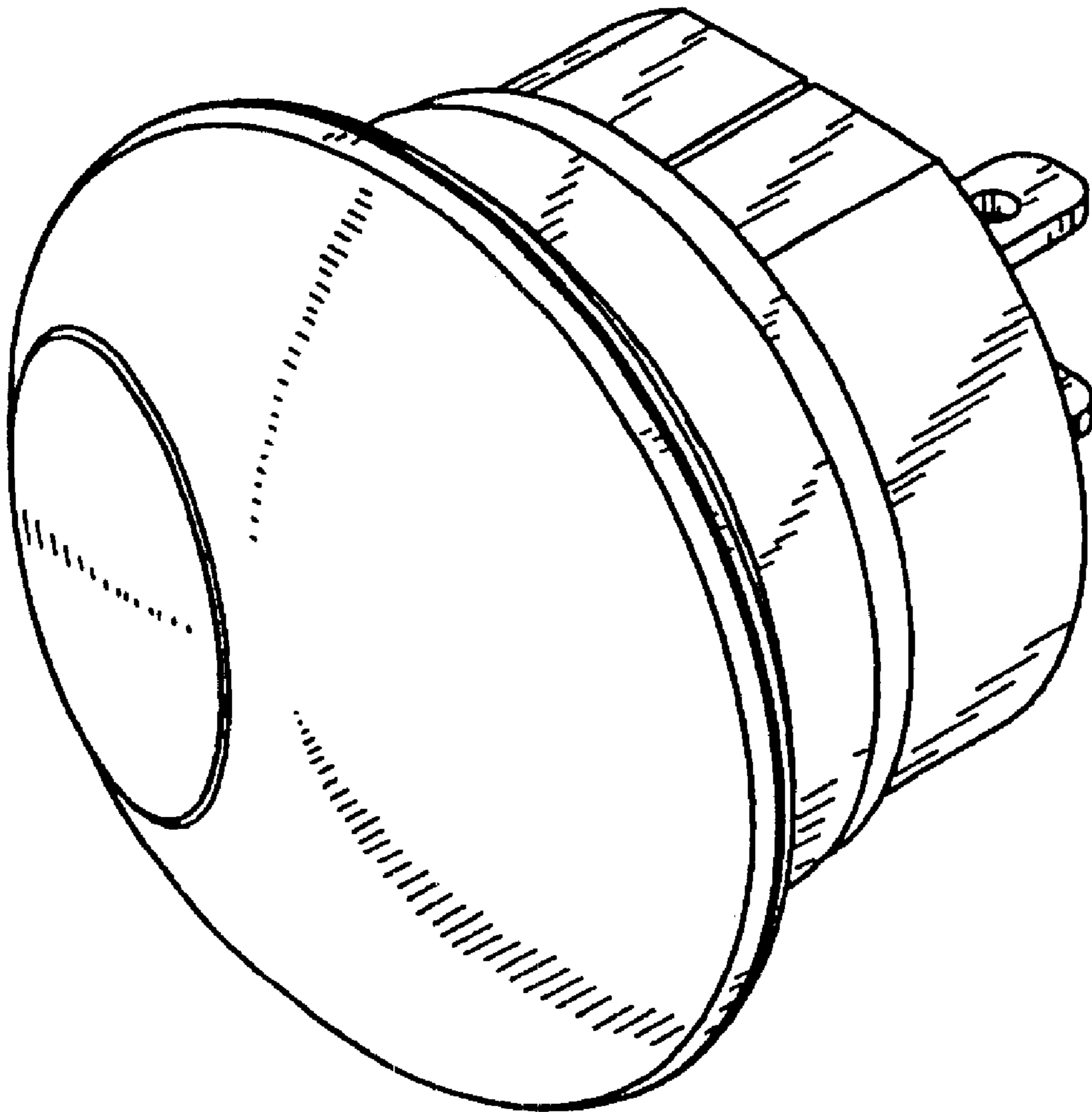
FIG. 1 shows a perspective view of the present design.
FIG. 2 shows a right side elevational view of the present design.
FIG. 3 shows a top plan view of the present design.
FIG. 4 shows a front elevational view of the present design.
FIG. 5 shows a bottom plan view of the present design.
FIG. 6 shows a left side elevational view of the present design; and,
FIG. 7 shows a rear elevational view of the present design.

(56) **References Cited**

U.S. PATENT DOCUMENTS

D409,317 S	*	5/1999	Yuen	D26/26
D428,660 S	*	7/2000	Yuen	D26/26
D431,873 S	*	10/2000	Petterson et al.	D26/26
D439,686 S	*	3/2001	Petterson et al.	D26/26

1 Claim, 4 Drawing Sheets



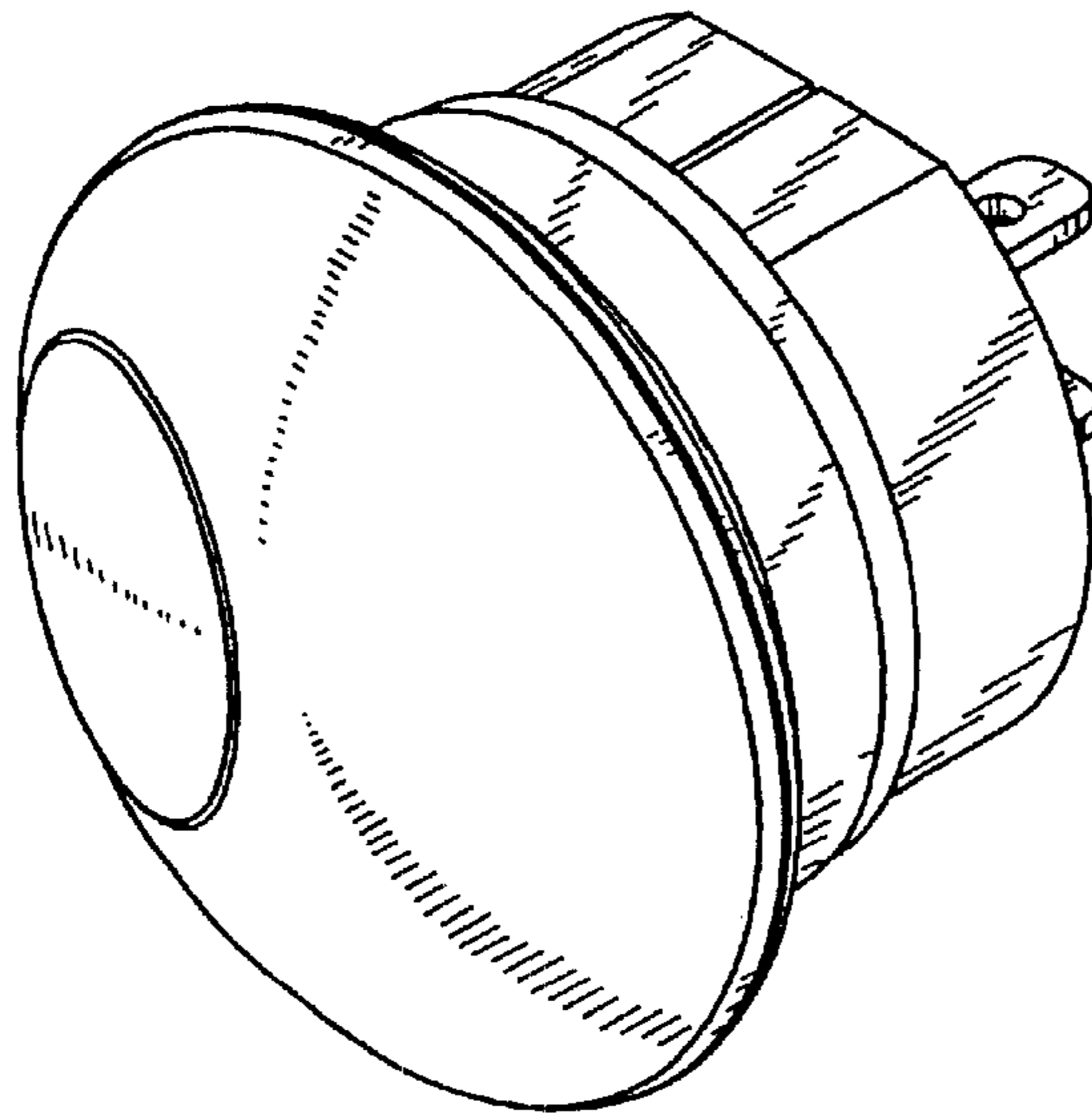


FIG. 1

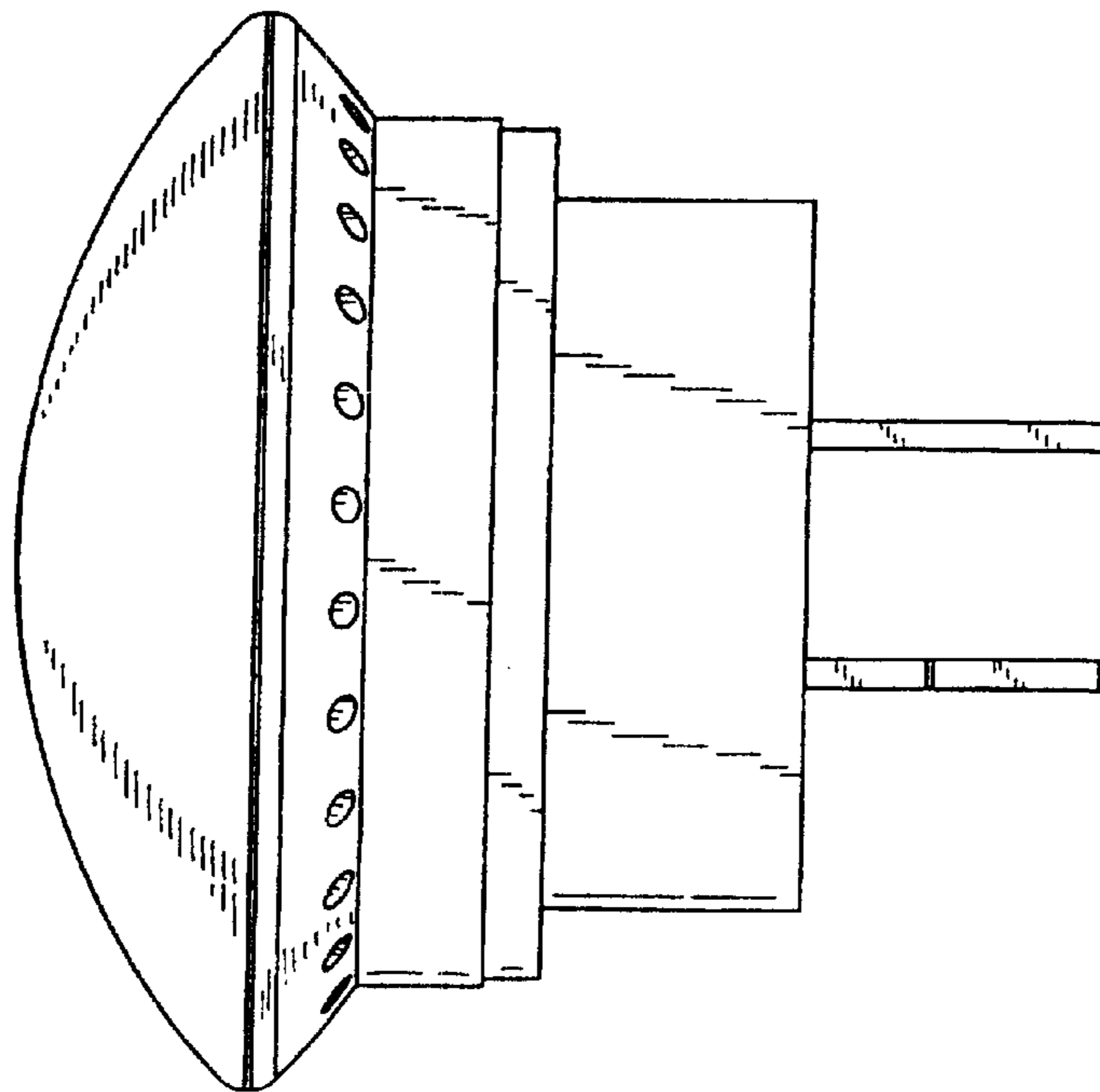


FIG. 2

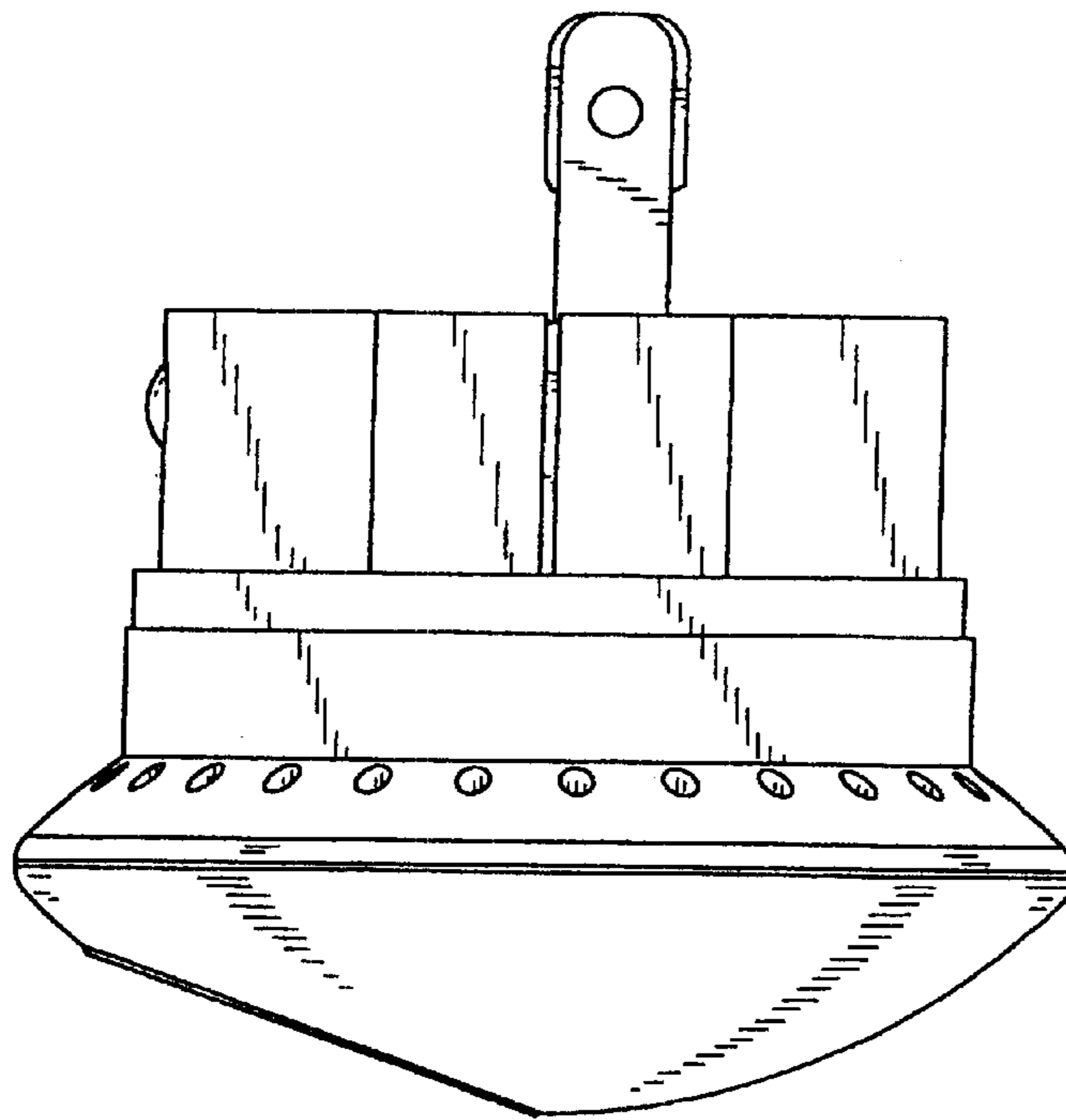


FIG. 3

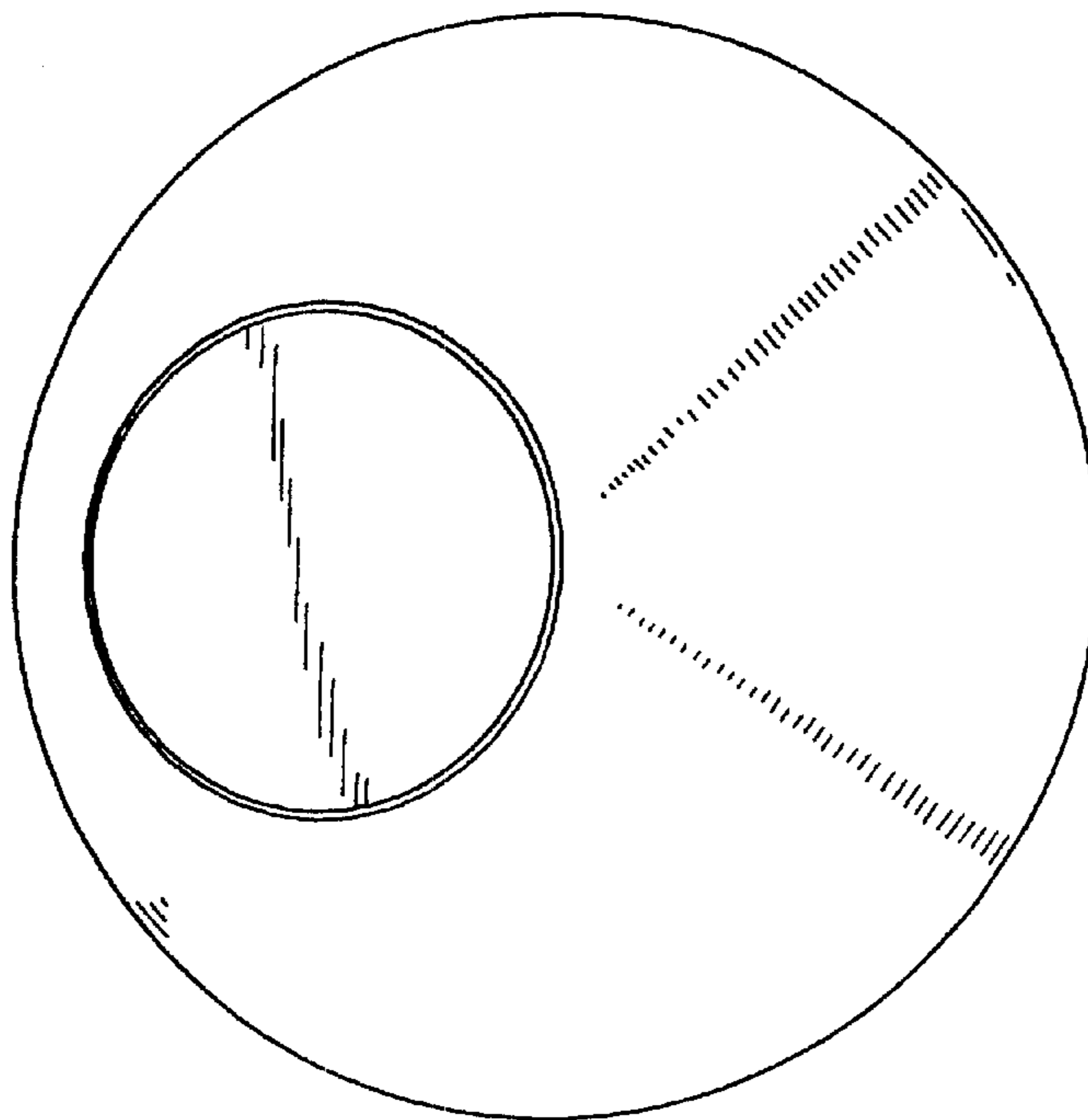


FIG. 4

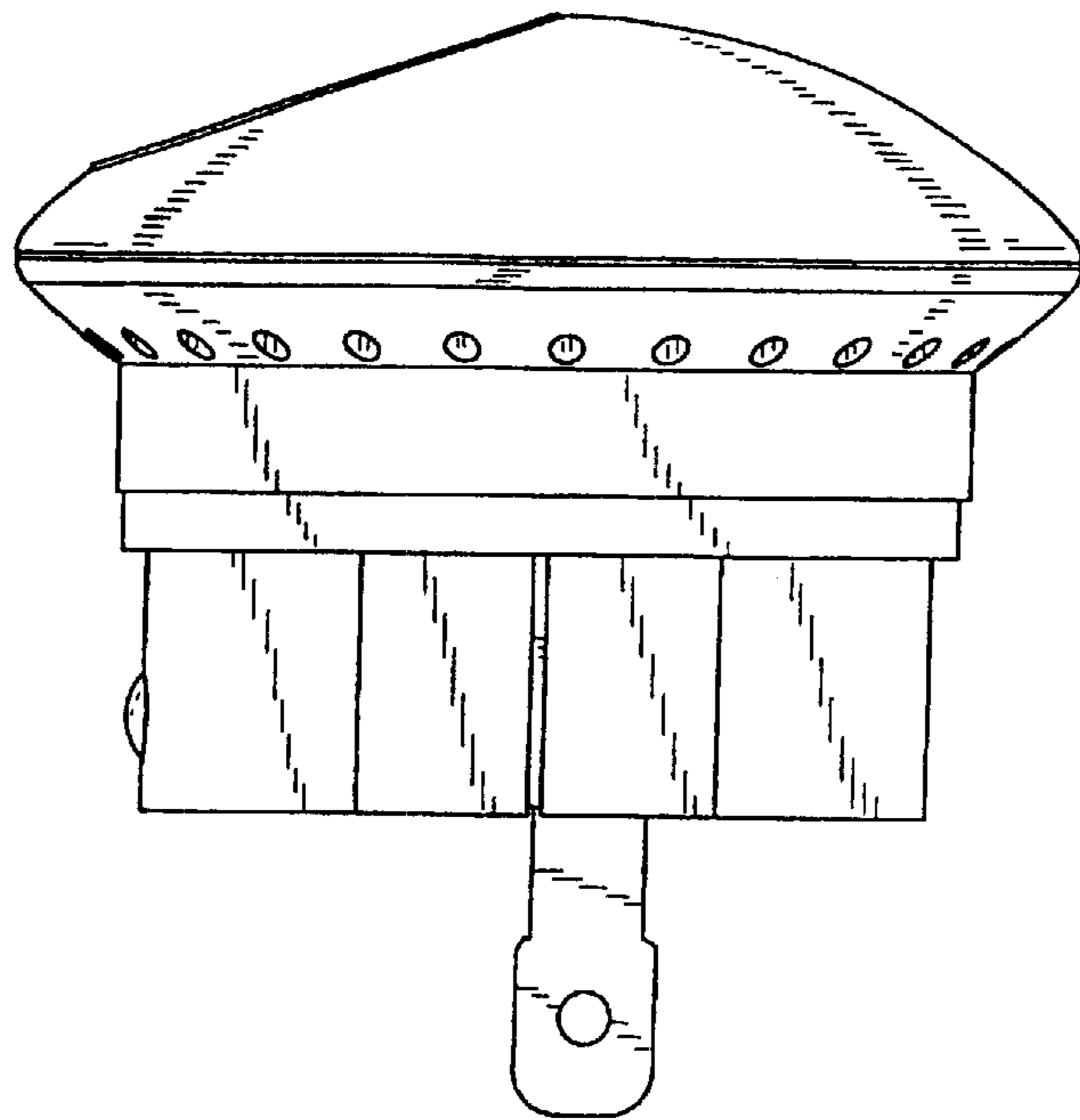


FIG. 5

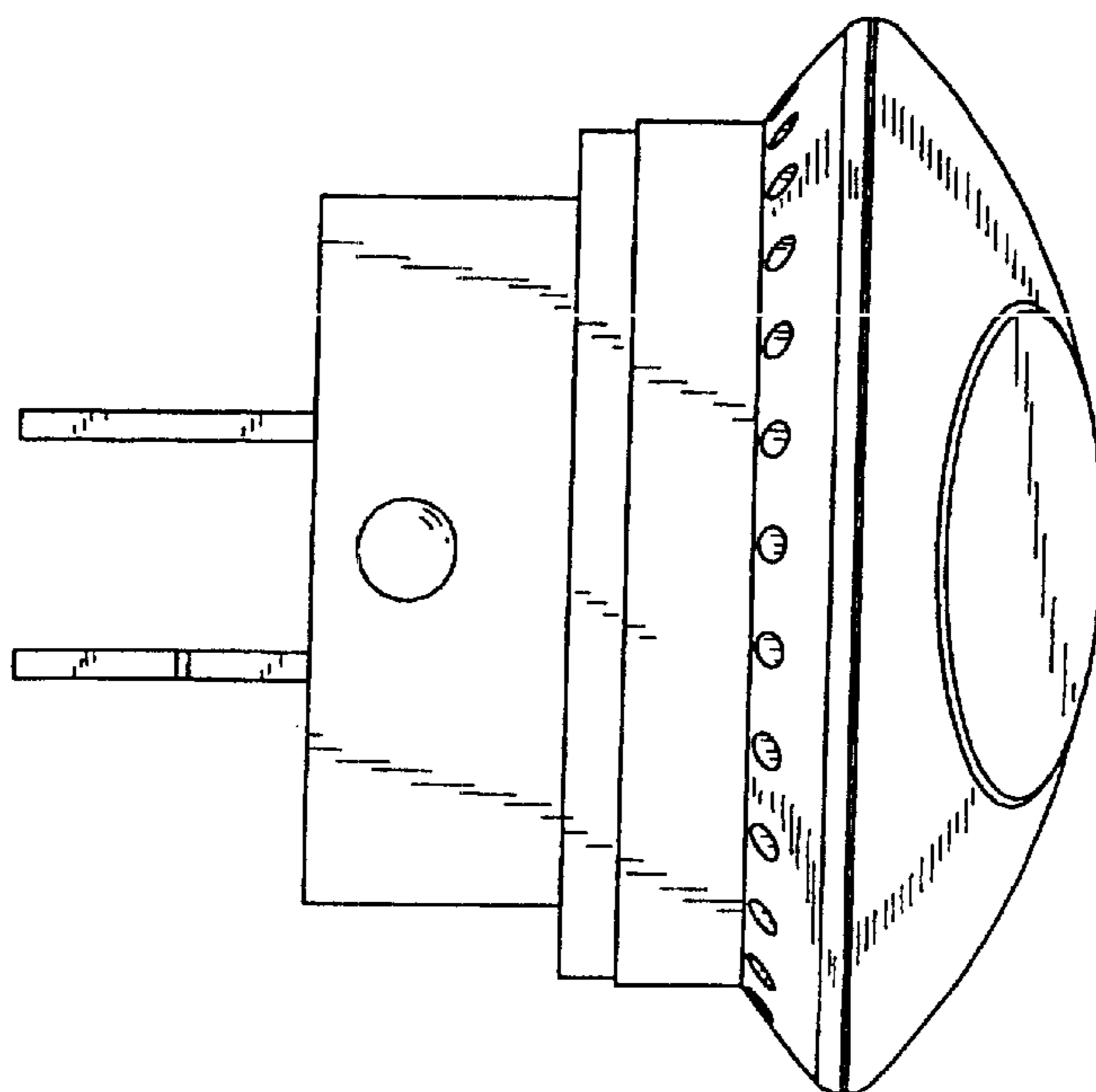


FIG. 6

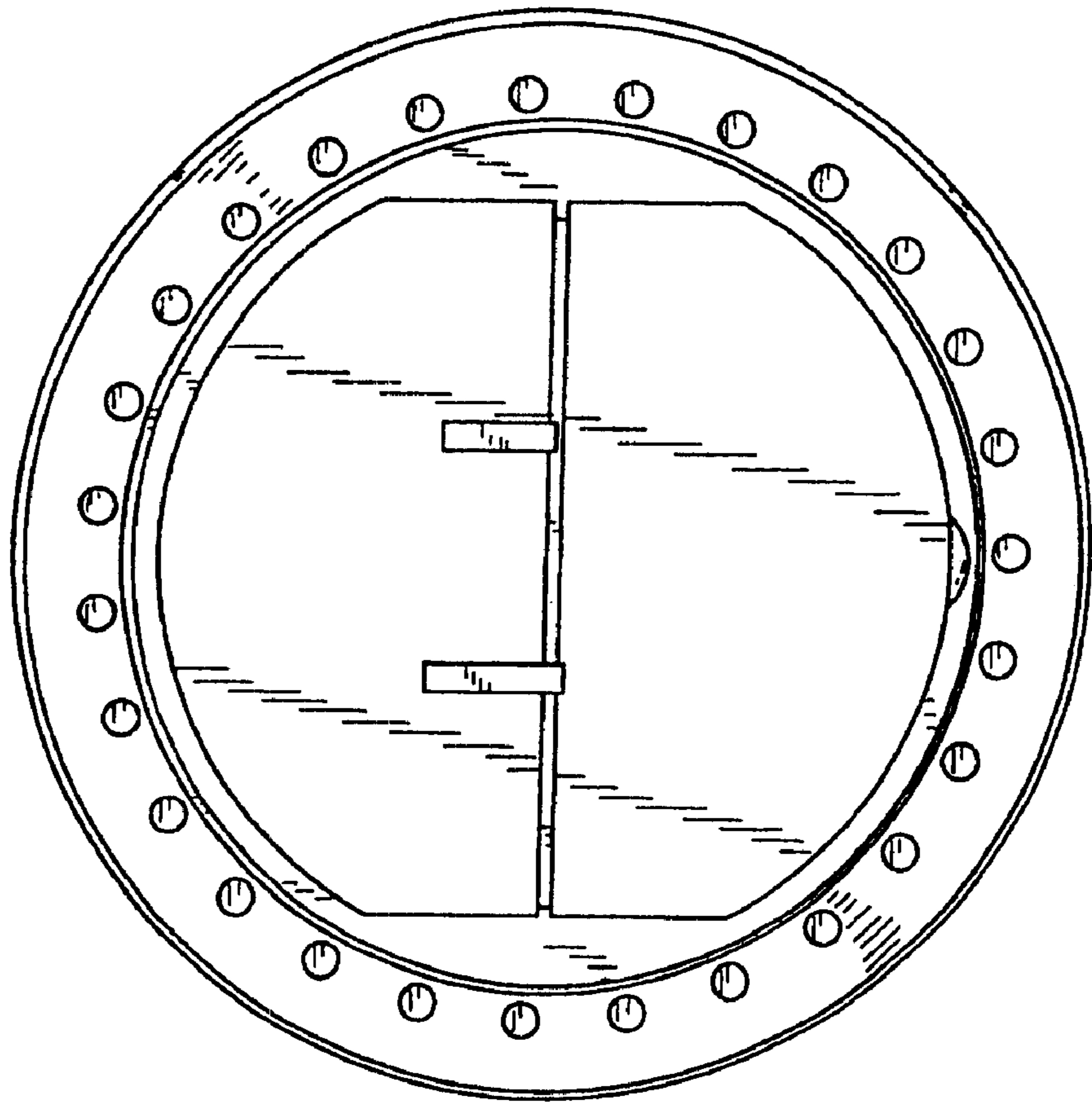


FIG. 7