



US00D459498S

(12) **United States Design Patent**
Araujo

(10) **Patent No.:** **US D459,498 S**

(45) **Date of Patent:** **** Jun. 25, 2002**

(54) **BOWL CANDLE**

(75) Inventor: **Armando Araujo**, Nixco (GT)

(73) Assignee: **Xanadu Candle International, Limited**, Guatemala (GT)

(**) Term: **14 Years**

(21) Appl. No.: **29/137,143**

(22) Filed: **Feb. 2, 2001**

(51) **LOC (7) Cl.** **26-04**

(52) **U.S. Cl.** **D26/6**

(58) **Field of Search** D26/6, 7, 9, 11,
D26/16; 431/288, 291, 125

(56) **References Cited**

U.S. PATENT DOCUMENTS

D115,947 S	*	8/1939	Wilson	D26/6
D119,776 S	*	4/1940	Bilkau	D26/6
D442,300 S	*	5/2001	Poppick et al.	D26/6

OTHER PUBLICATIONS

Illuminations catalog 2000; sphere candles p. 37.*

* cited by examiner

Primary Examiner—Robin V. Taylor

(74) *Attorney, Agent, or Firm*—Robert M. Schwartz

(57) **CLAIM**

The ornamental design for a bowl candle, as shown.

DESCRIPTION

FIG. 1 is a top view of the design for a bowl candle.

FIG. 2 is a front view thereof.

FIG. 3 is a bottom view thereof.

FIG. 4 is a perspective view thereof.

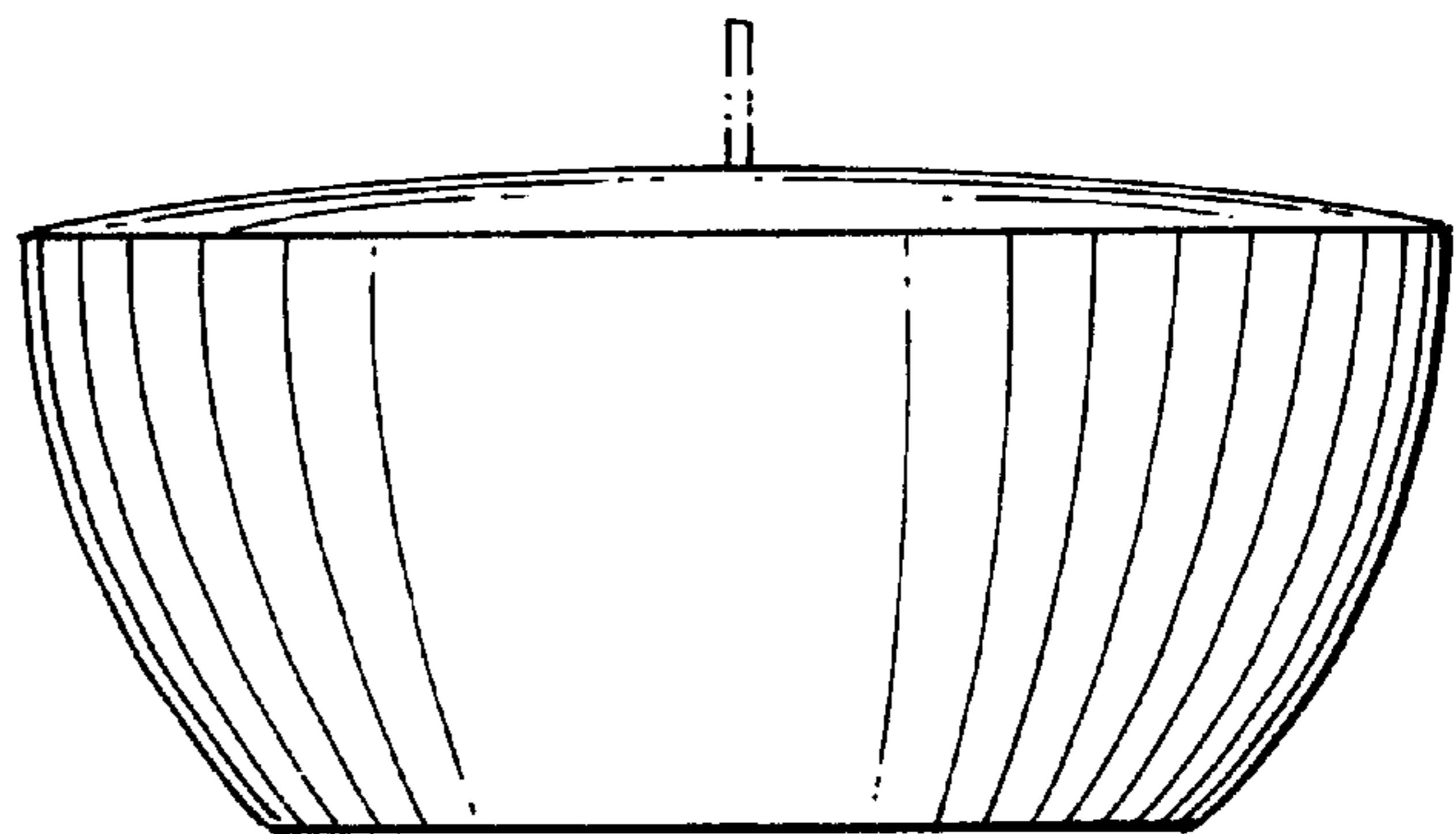
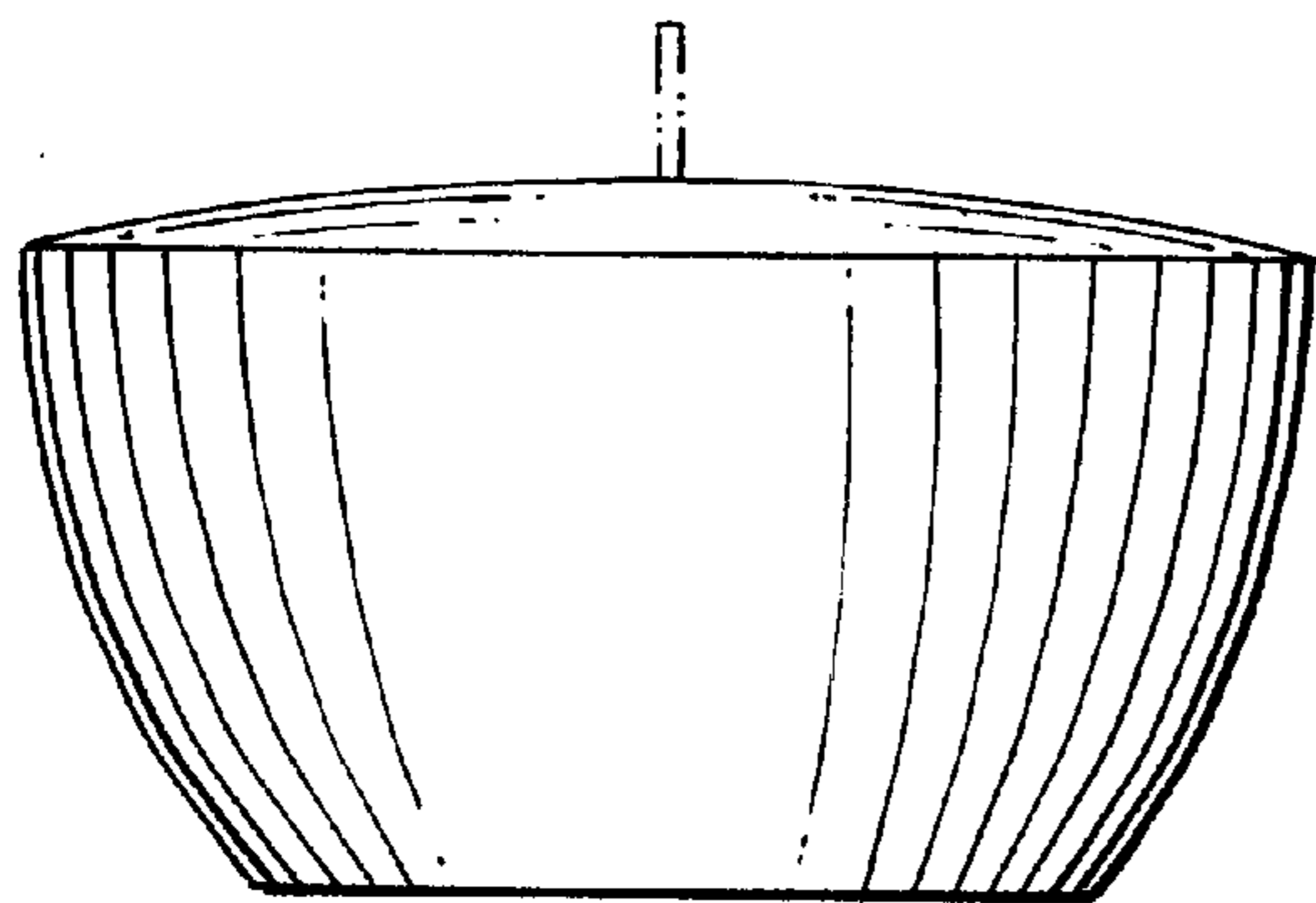
FIG. 5 is a front view of a first alternative embodiment thereof.

FIG. 6 is a front view of a second alternative embodiment thereof; and,

FIG. 7 is a front view of a third alternative embodiment thereof.

The broken line showing of a wick is for illustrative purposes only and forms no part of the claimed design.

1 Claim, 2 Drawing Sheets



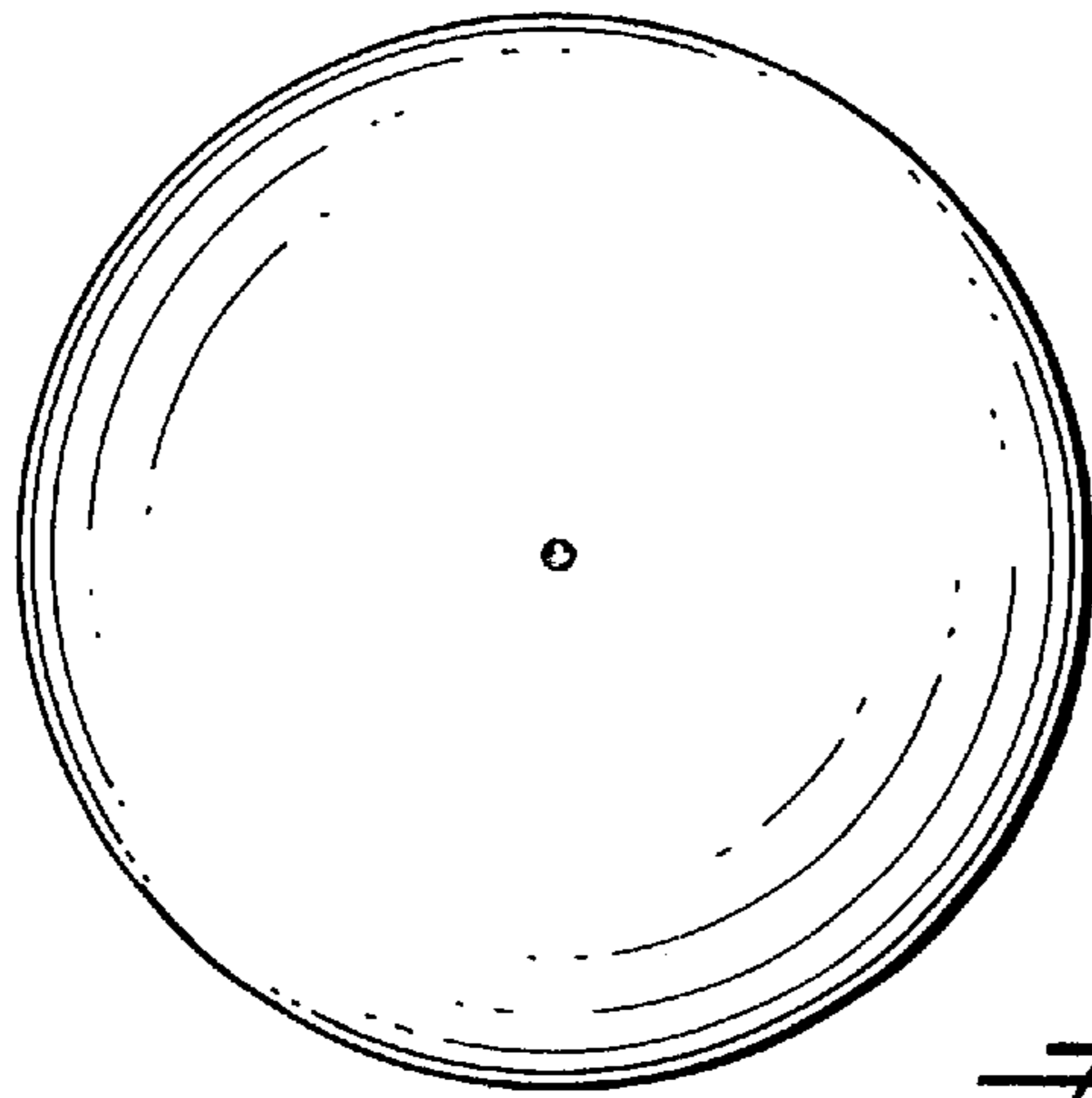


FIG. 1.

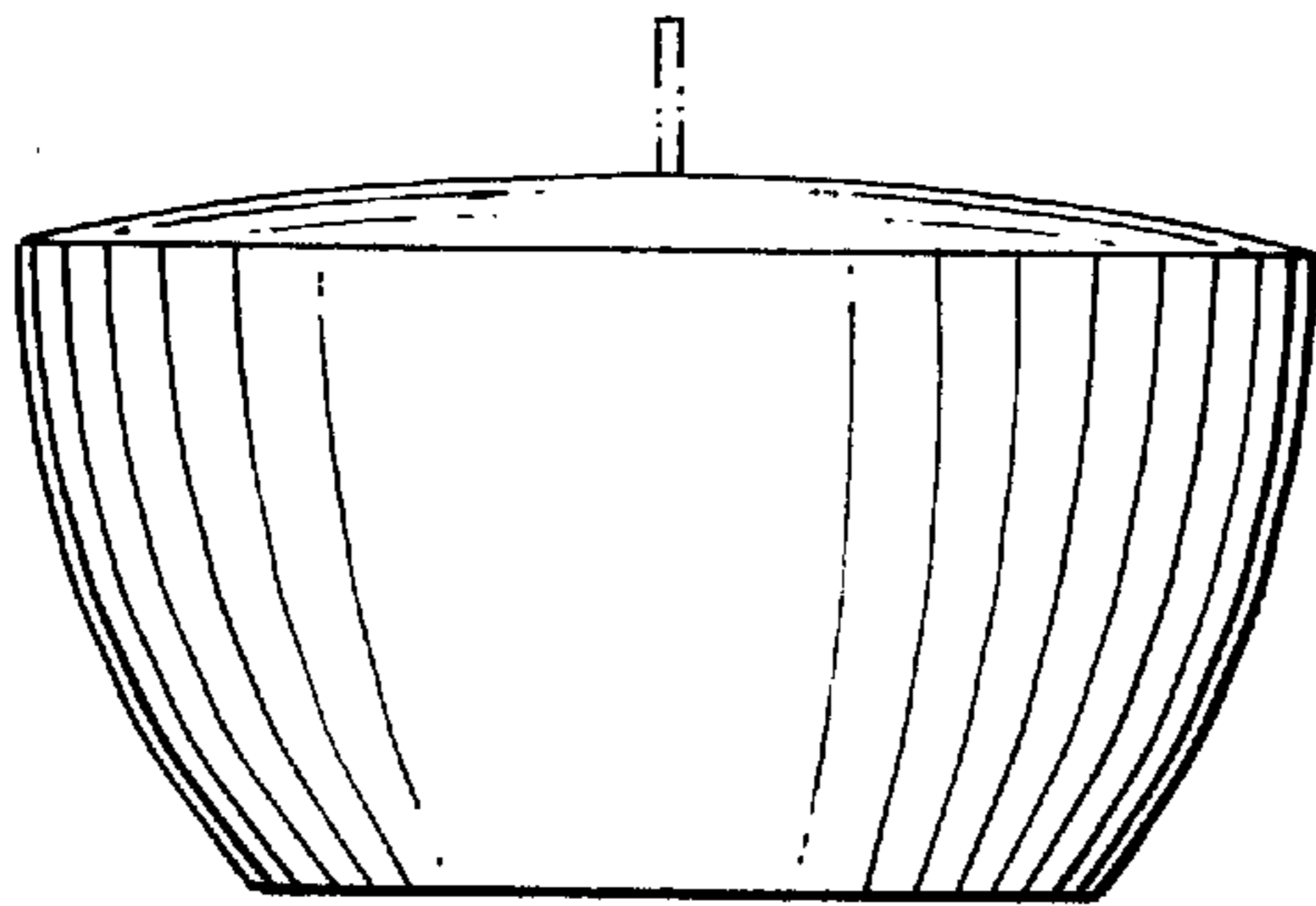


FIG. 2.

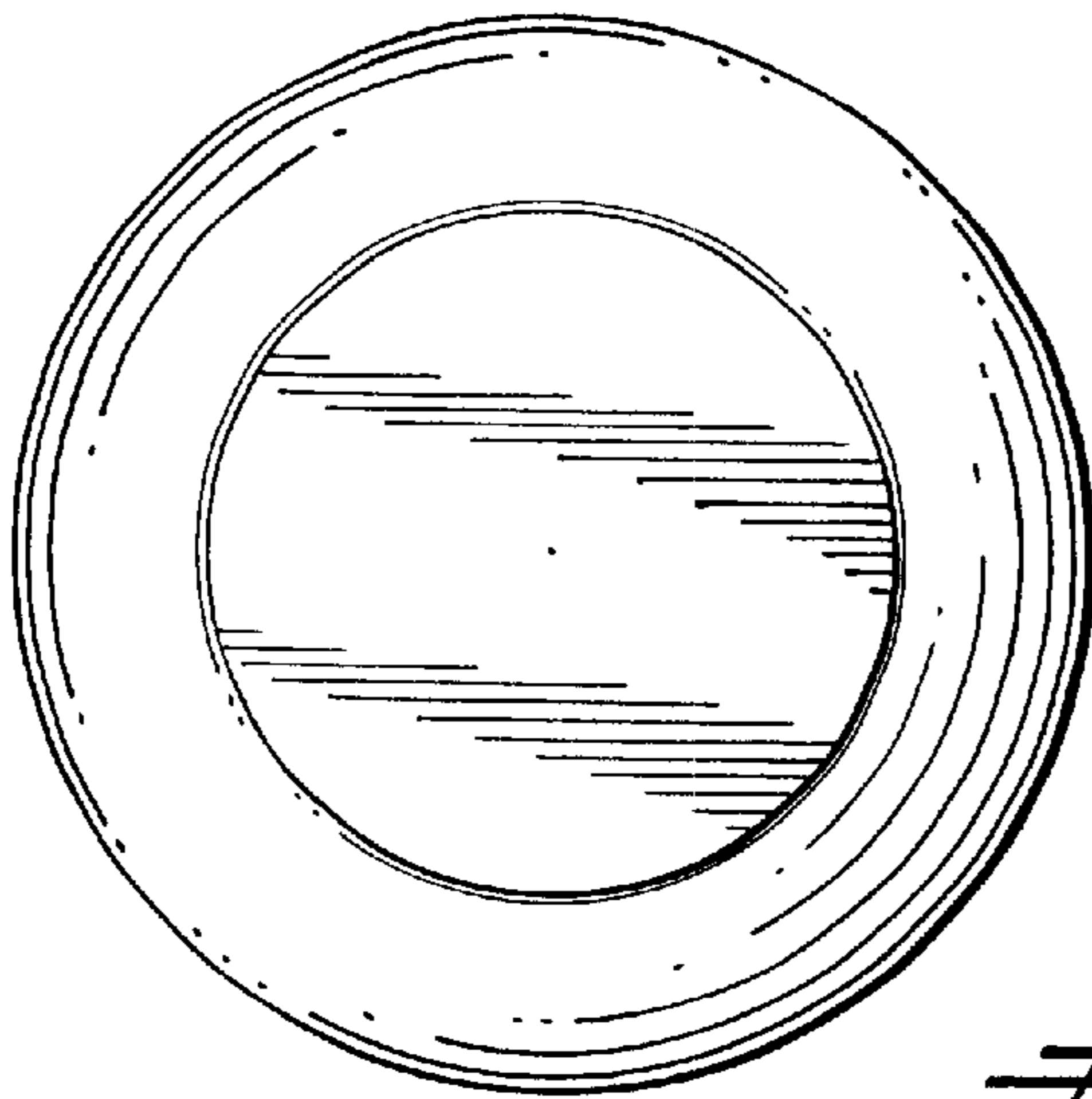


FIG. 3.

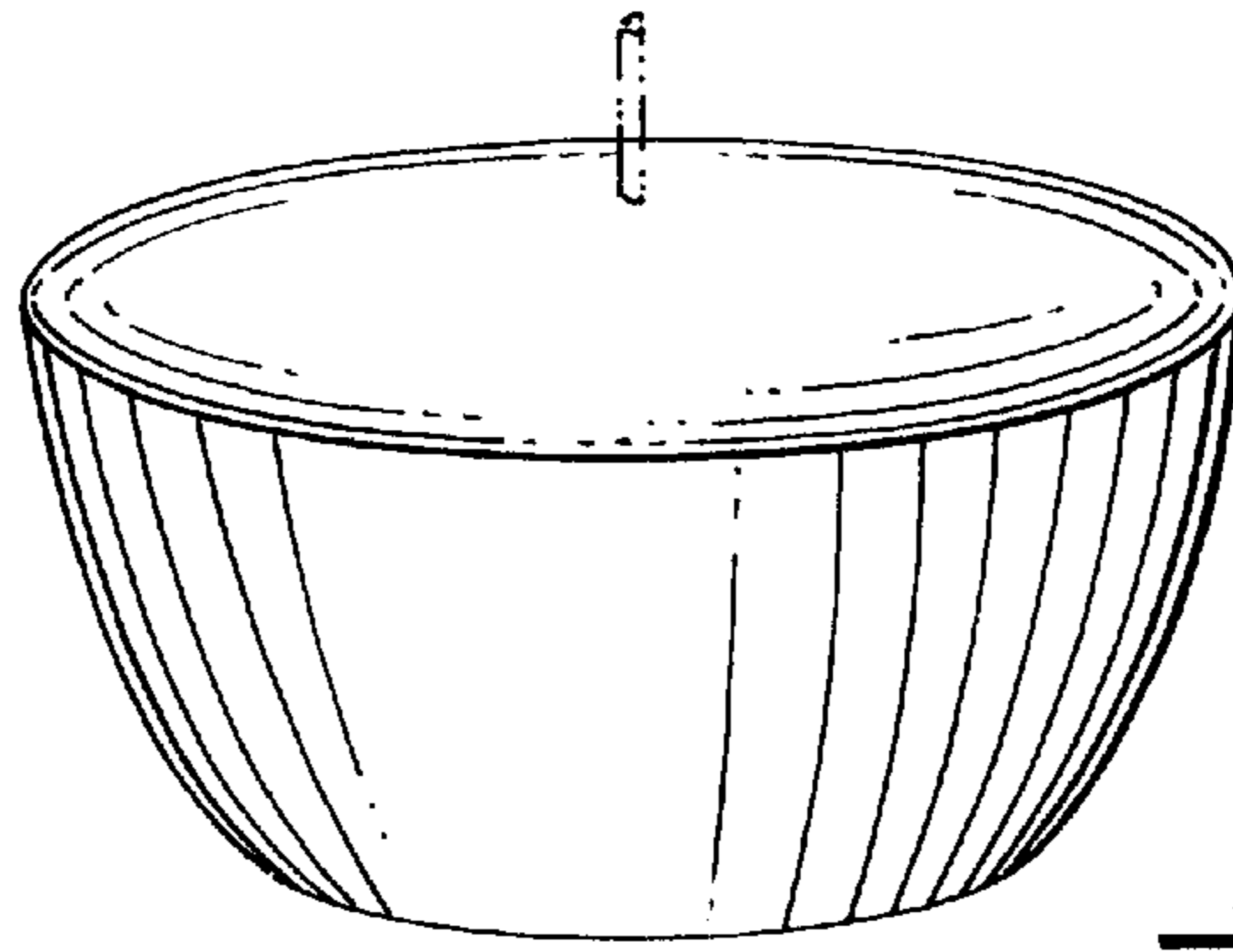


FIG. 4.

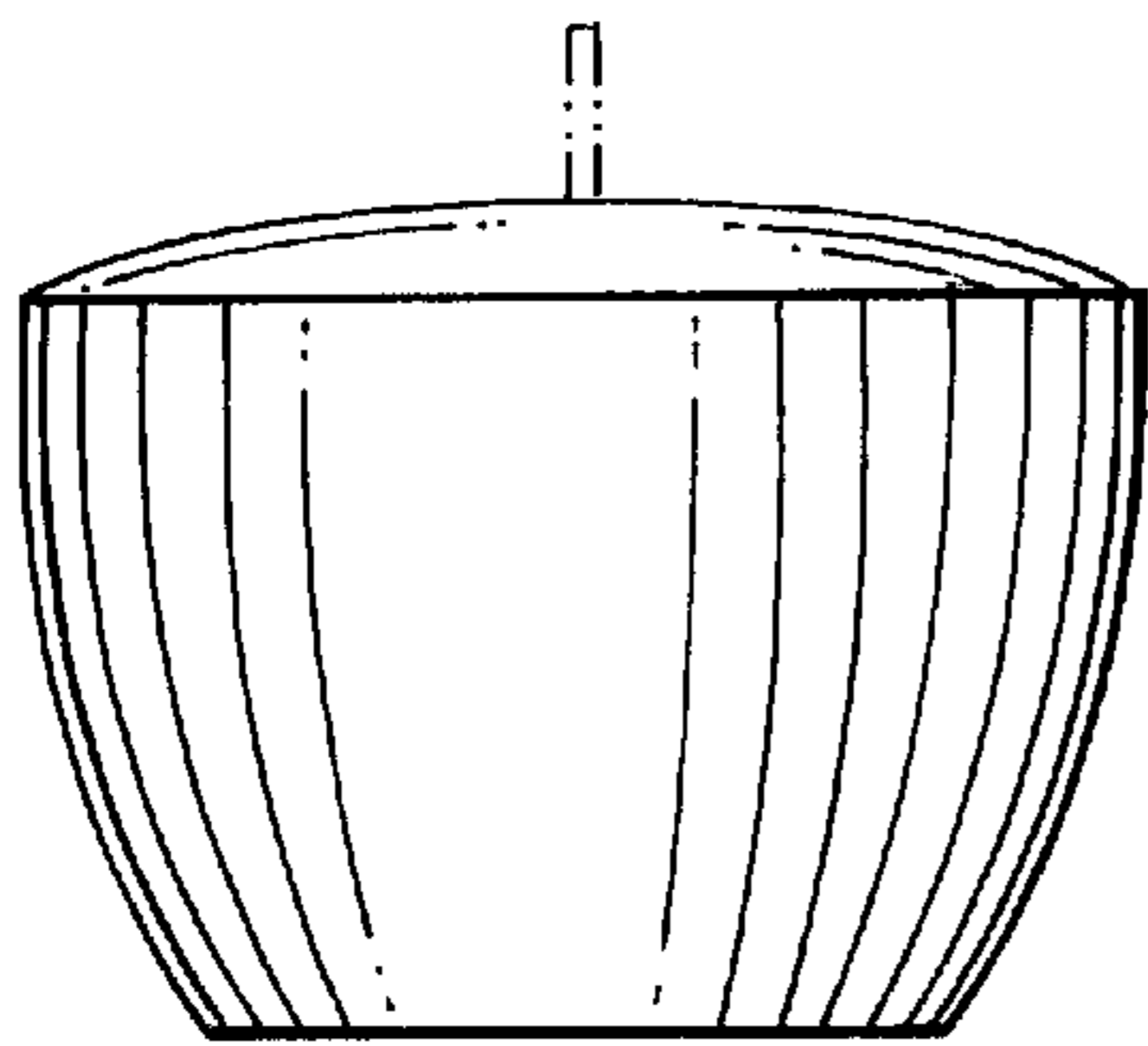


FIG. 5.

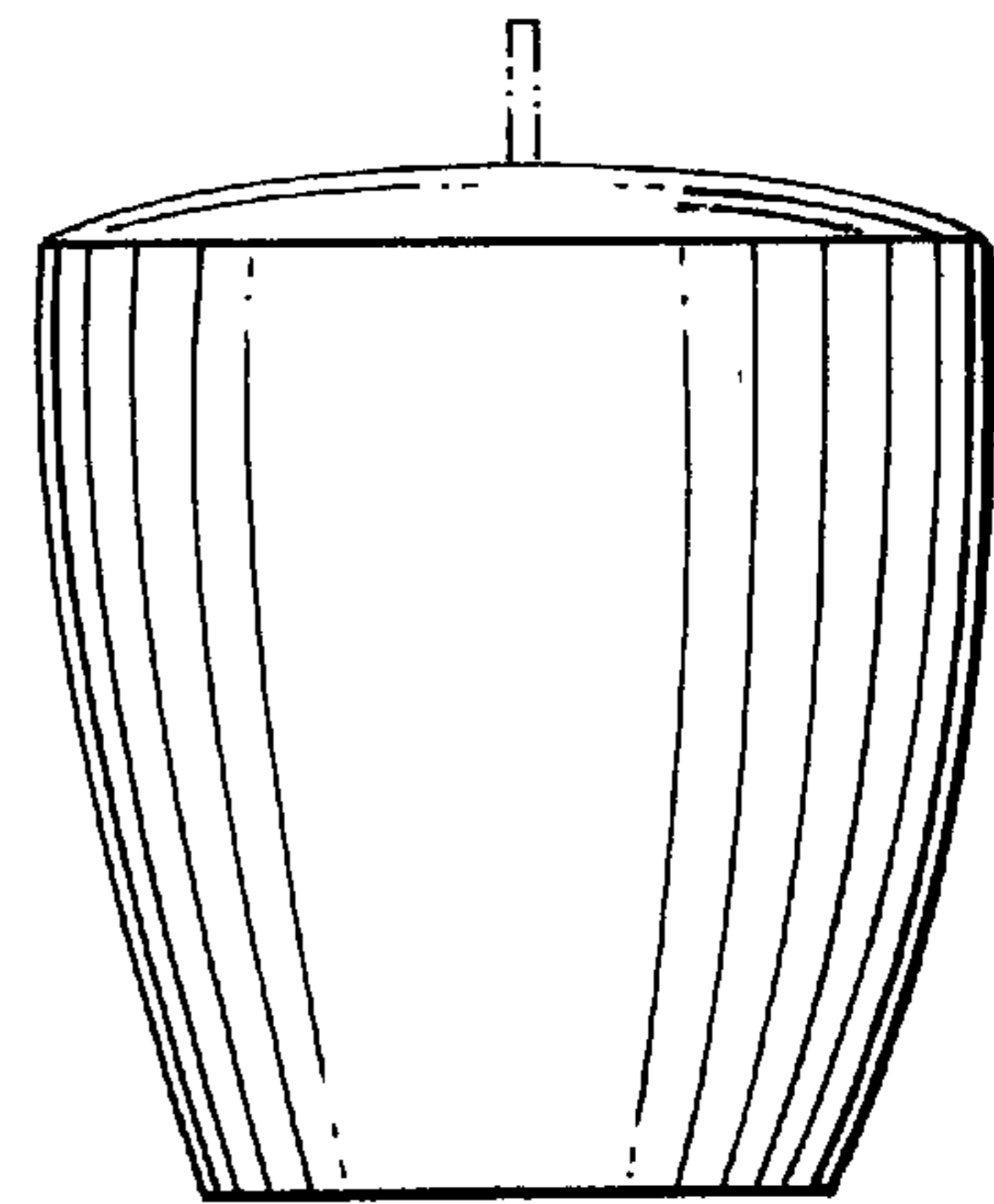


FIG. 6.

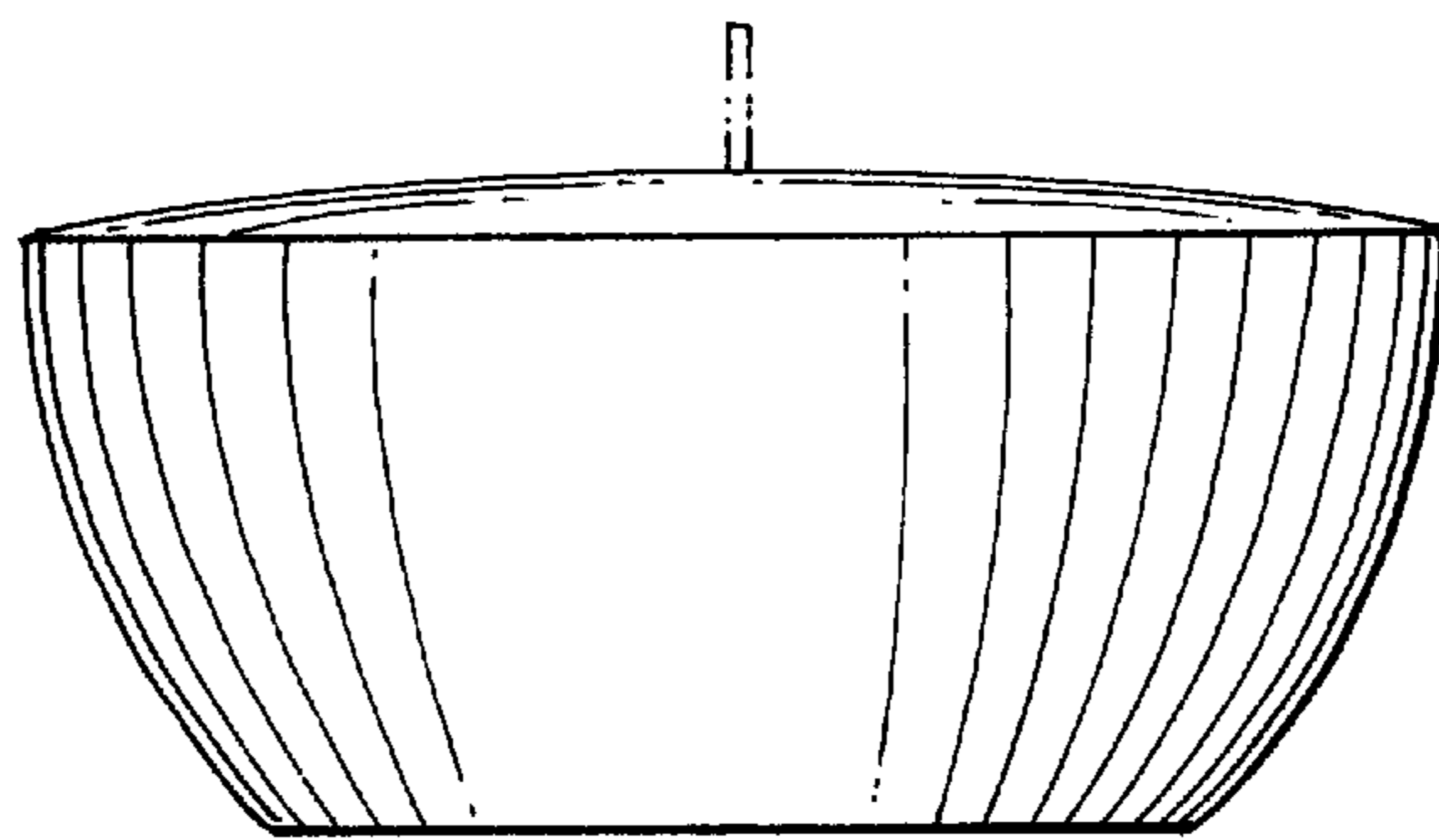


FIG. 7.