



US00D459491S

(12) **United States Design Patent**
Benteftifa et al.

(10) **Patent No.:** **US D459,491 S**

(45) **Date of Patent:** **** Jun. 25, 2002**

(54) **DECK SLAT**

(74) *Attorney, Agent, or Firm*—Cummings & Lockwood

(75) Inventors: **Chawki A. Benteftifa**, Carlstadt;
Charles Becht, IV, Morristown, both of
NJ (US); **Francisco Javier Camargo**
Salinas, Camp (MX)

(57) **CLAIM**

The ornamental design for deck slat, as shown and described.

(73) Assignee: **Becht Engineering Company, Inc.**,
Liberty Corner, NJ (US)

DESCRIPTION

(**) Term: **14 Years**

FIG. 1 is a perspective view of a first embodiment of a deck slat showing our new design;
FIG. 2 is a top plan view thereof;
FIG. 3 is a front elevational view thereof;
FIG. 4 is a bottom plan view thereof;
FIG. 5 is a left side elevational view thereof;
FIG. 6 is a right side elevational view thereof;
FIG. 7 is a perspective view of a second embodiment of a deck slat showing our new design;
FIG. 8 is a top plan view of the embodiment of FIG. 7;
FIG. 9 is a front elevational view of the embodiment of FIG. 7;
FIG. 10 is a bottom plan view of the embodiment of FIG. 7;
FIG. 11 is a left side elevational view of the embodiment of FIG. 7; and,
FIG. 12 is a right side elevational view of the embodiment of FIG. 7.

(21) Appl. No.: **29/136,461**

(22) Filed: **Jan. 31, 2001**

(51) **LOC (7) Cl.** **25-01**

(52) **U.S. Cl.** **D25/125**

(58) **Field of Search** 52/98, 314, 573.1,
52/592.1, 650.3, 745.05, 775, 177; D25/138,
125; 403/41, 28; 114/266; 14/73; 405/4,
196, 218, 219

The broken lines shown in the drawing figures are for illustrative purposes only and form no part of the claimed design. In addition, the illustrated embodiments of the design are not limited to the exact details shown in the drawings, since equivalents and colorable imitations thereof will be evident to a person of ordinary skill in the art. Thus, within the scope of the appended claim, which is intended to cover only the ornamental and novel elements shown in the drawings, the invention may be practiced otherwise than as specifically shown and described herein.

The deck slat has been broken on one end to indicate indefinite length.

(56) **References Cited**

U.S. PATENT DOCUMENTS

2,742,121	A	*	4/1956	Liskey, Jr.	14/73
3,046,852	A	*	7/1962	Graham	D25/177
3,172,508	A		3/1965	Doering et al.	189/34
4,789,116	A		12/1988	Eftestol	244/114
5,033,147	A		7/1991	Svensson	14/73
5,351,915	A		10/1994	Aandalen	244/114 R
D358,671	S	*	5/1995	Hallsten	D25/125
5,647,184	A		7/1997	Davis	52/592.1
5,819,491	A		10/1998	Davis	52/592.1
5,836,128	A		11/1998	Groh et al.	52/580
6,035,588	A		3/2000	Zehner et al.	52/98

* cited by examiner

Primary Examiner—Doris Clark

1 Claim, 6 Drawing Sheets

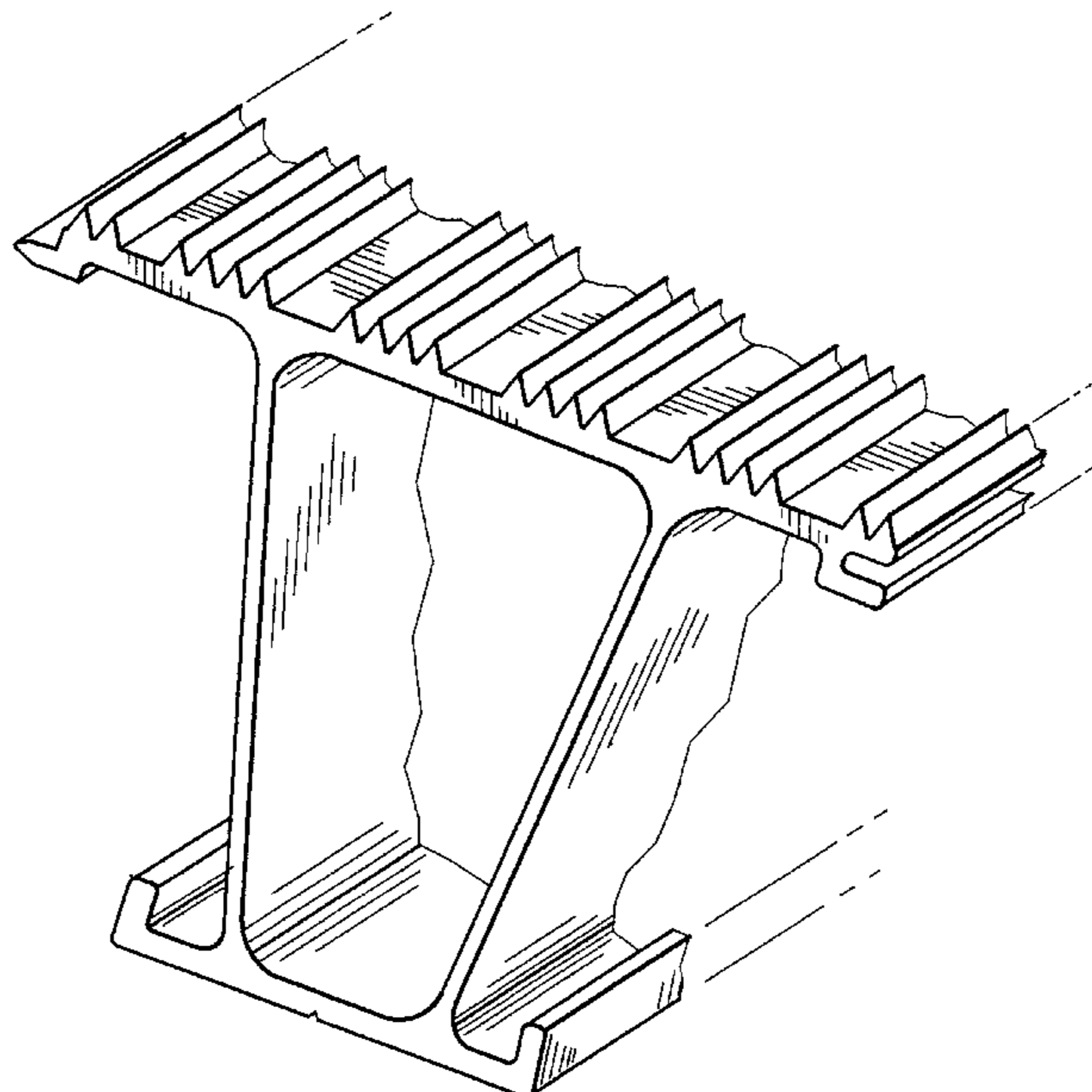


FIG. 1

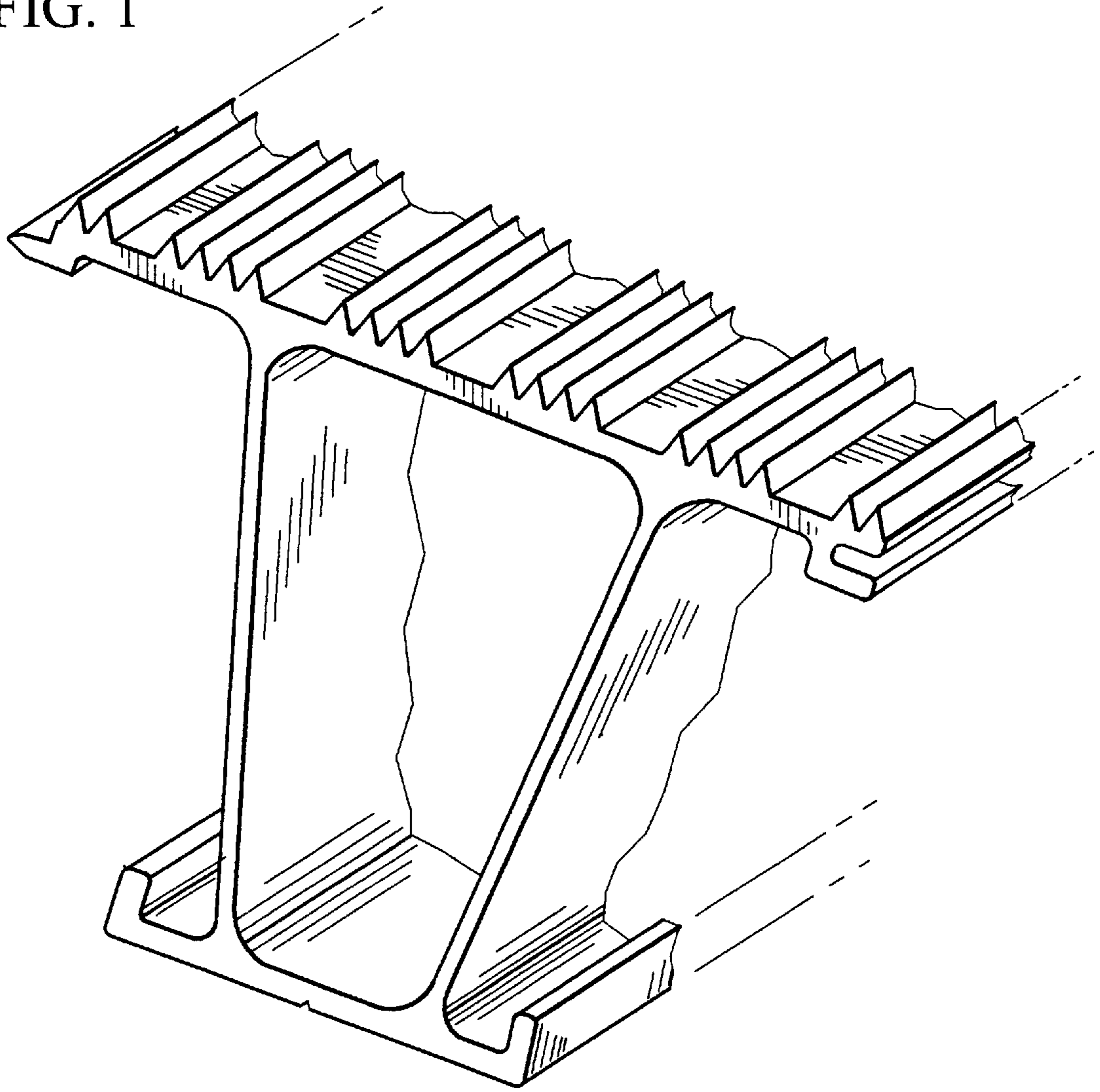


FIG. 2

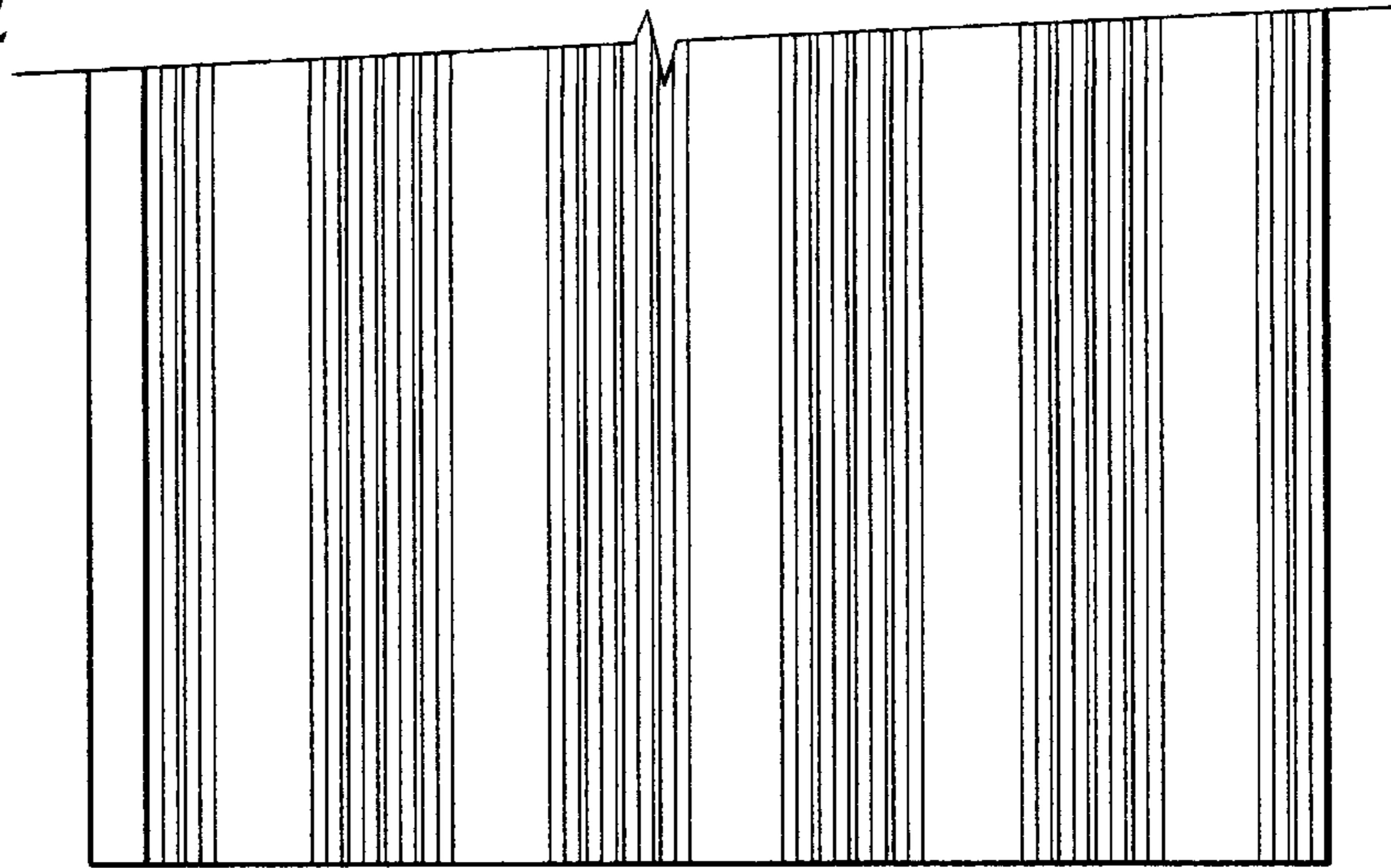


FIG. 3

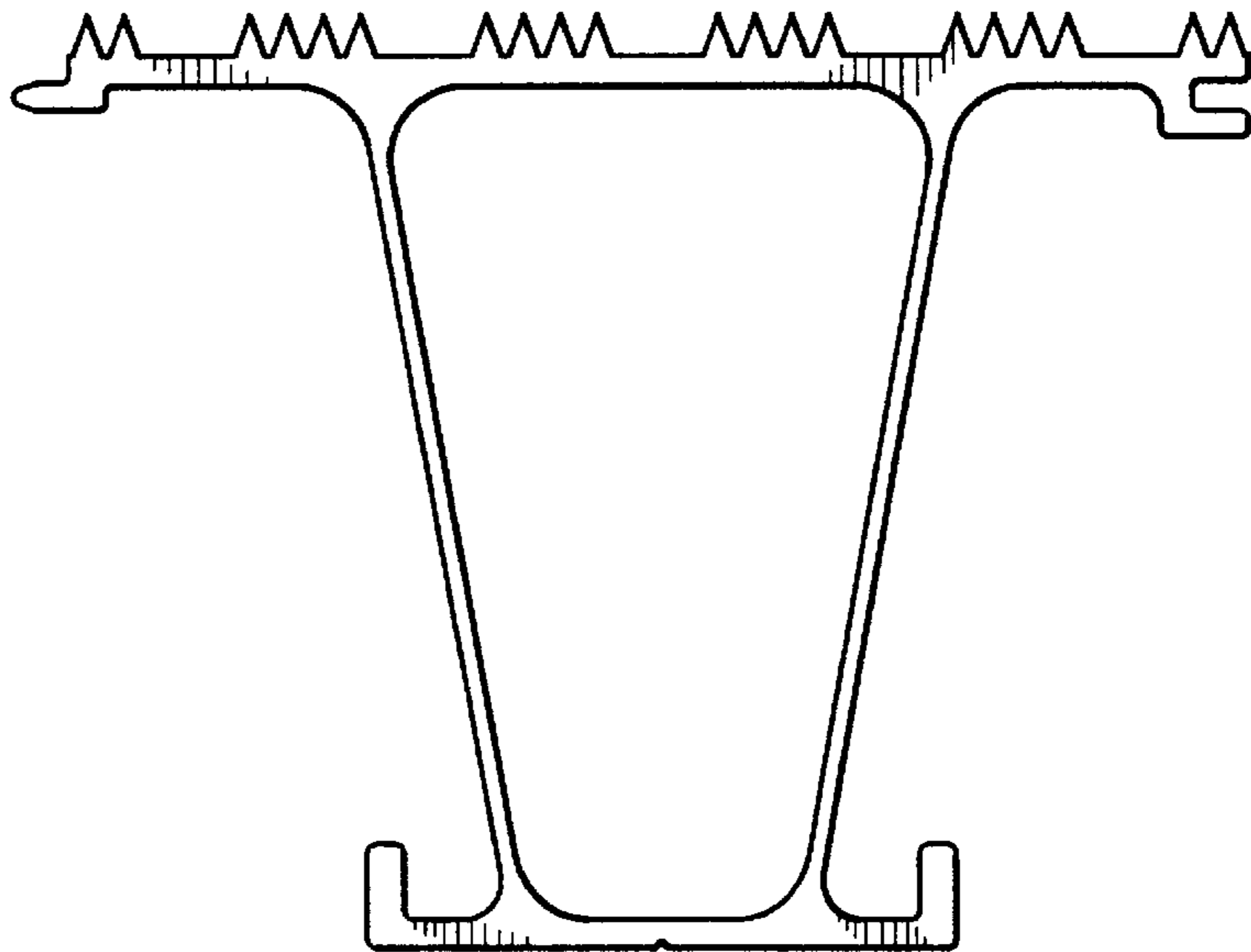


FIG. 4

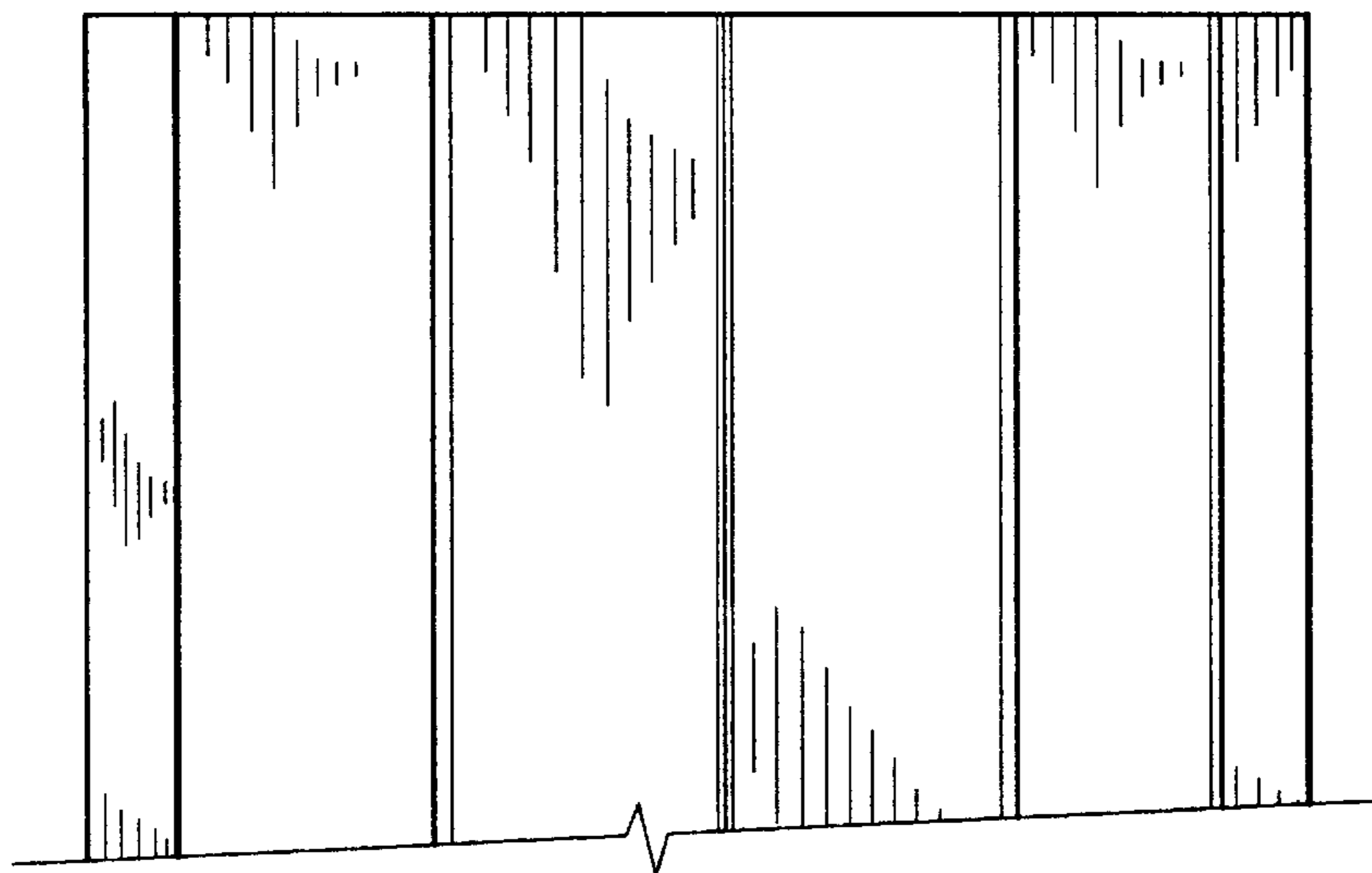


FIG. 5

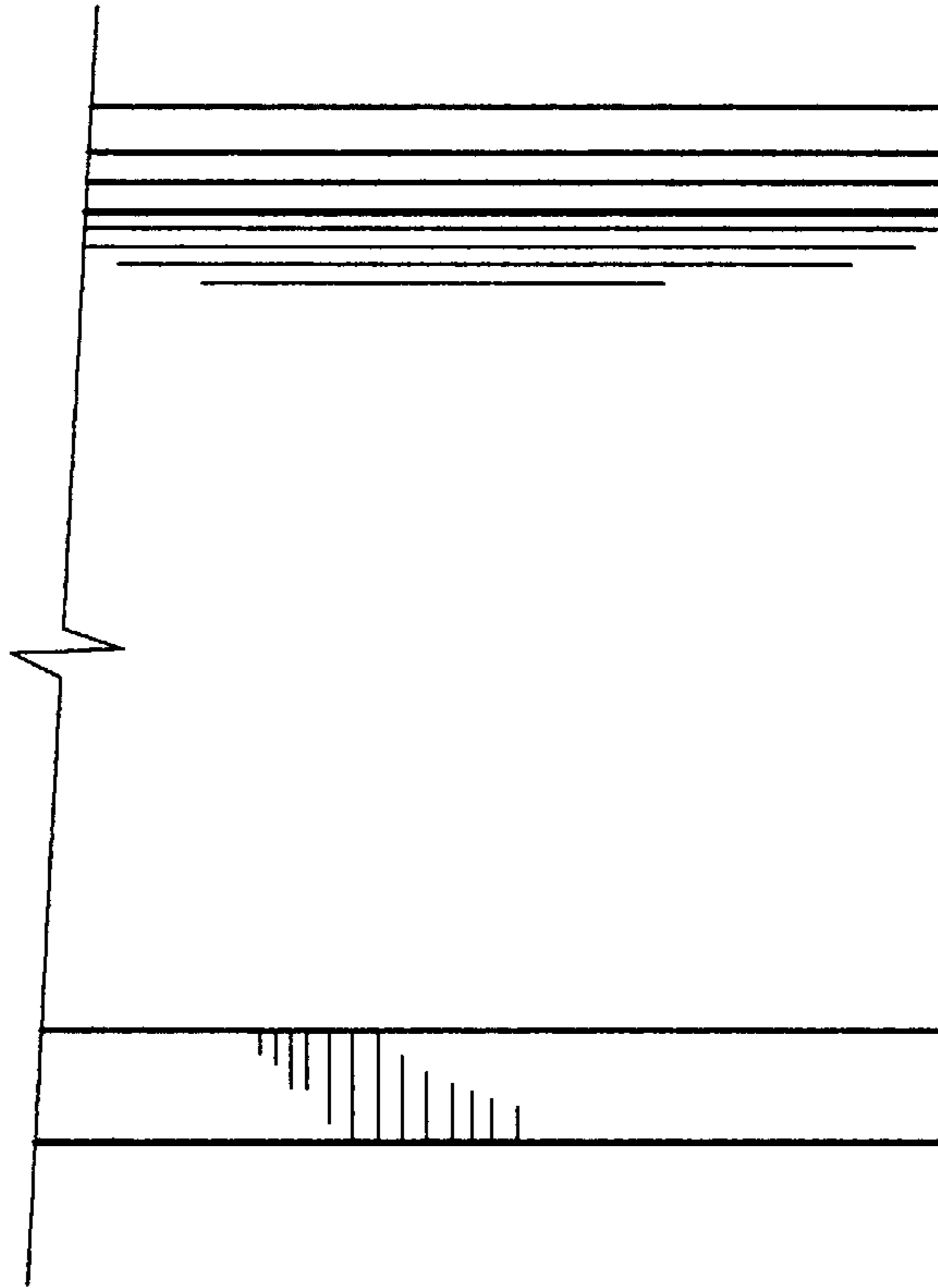


FIG. 6

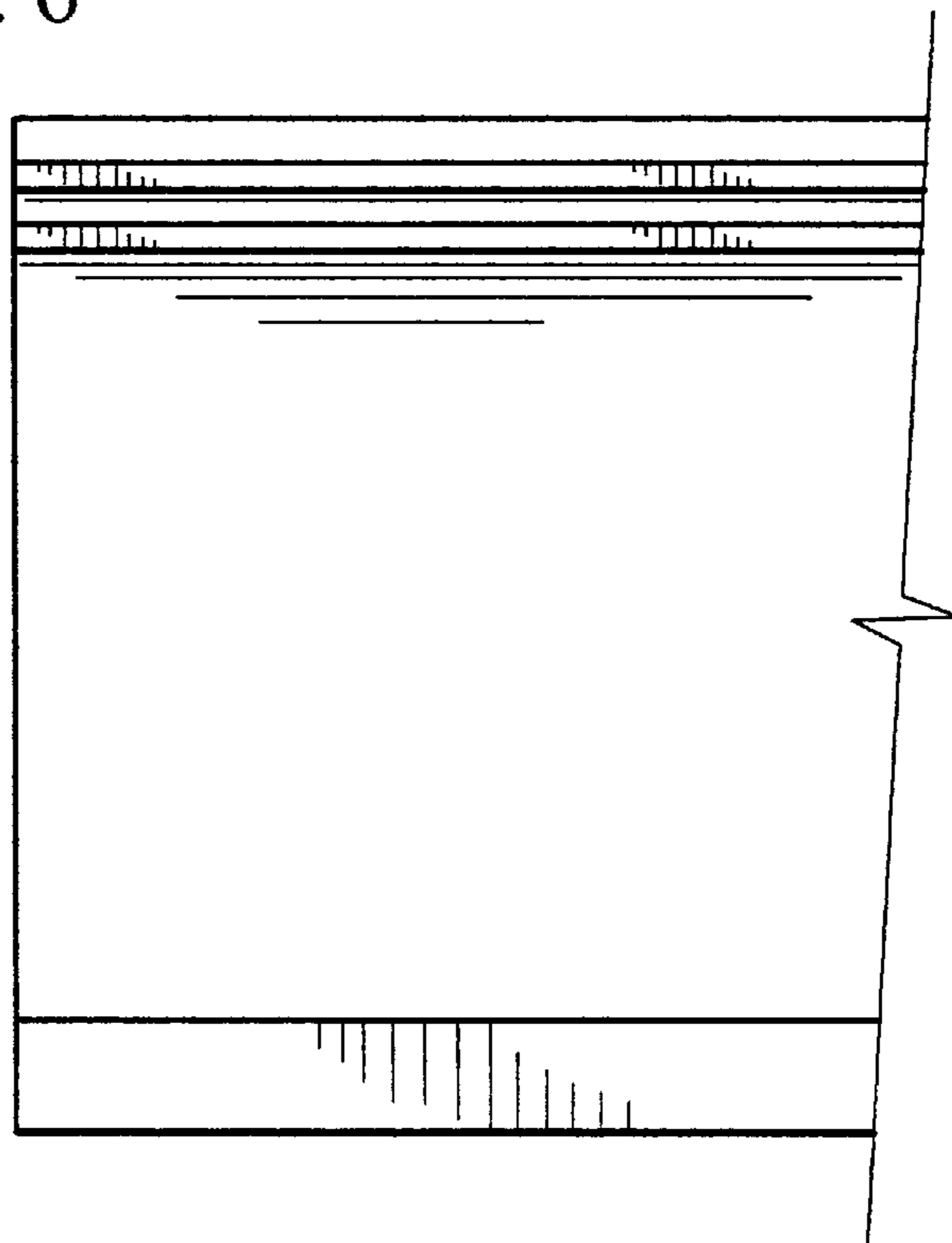


FIG. 7

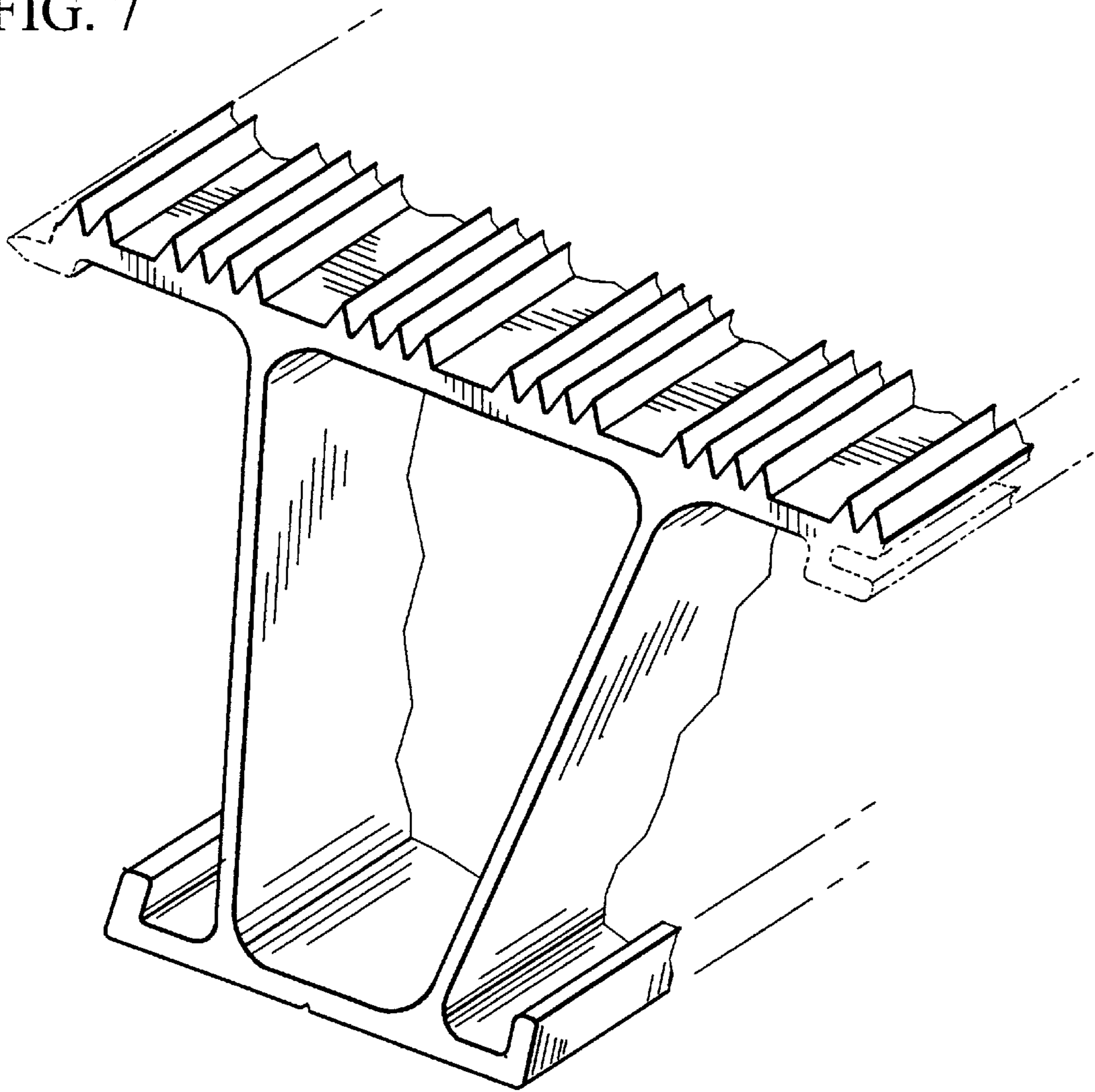


FIG. 8

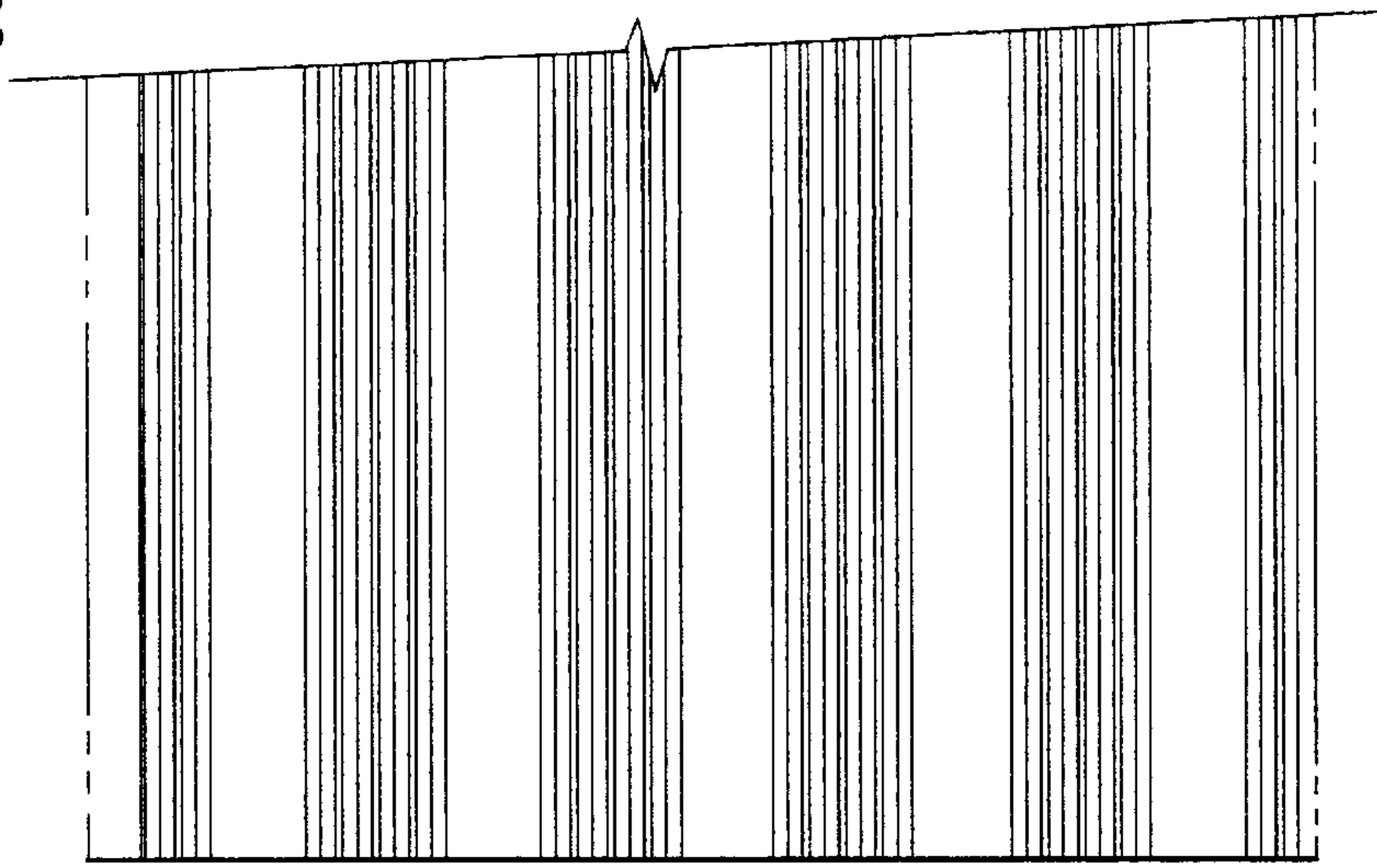


FIG. 9

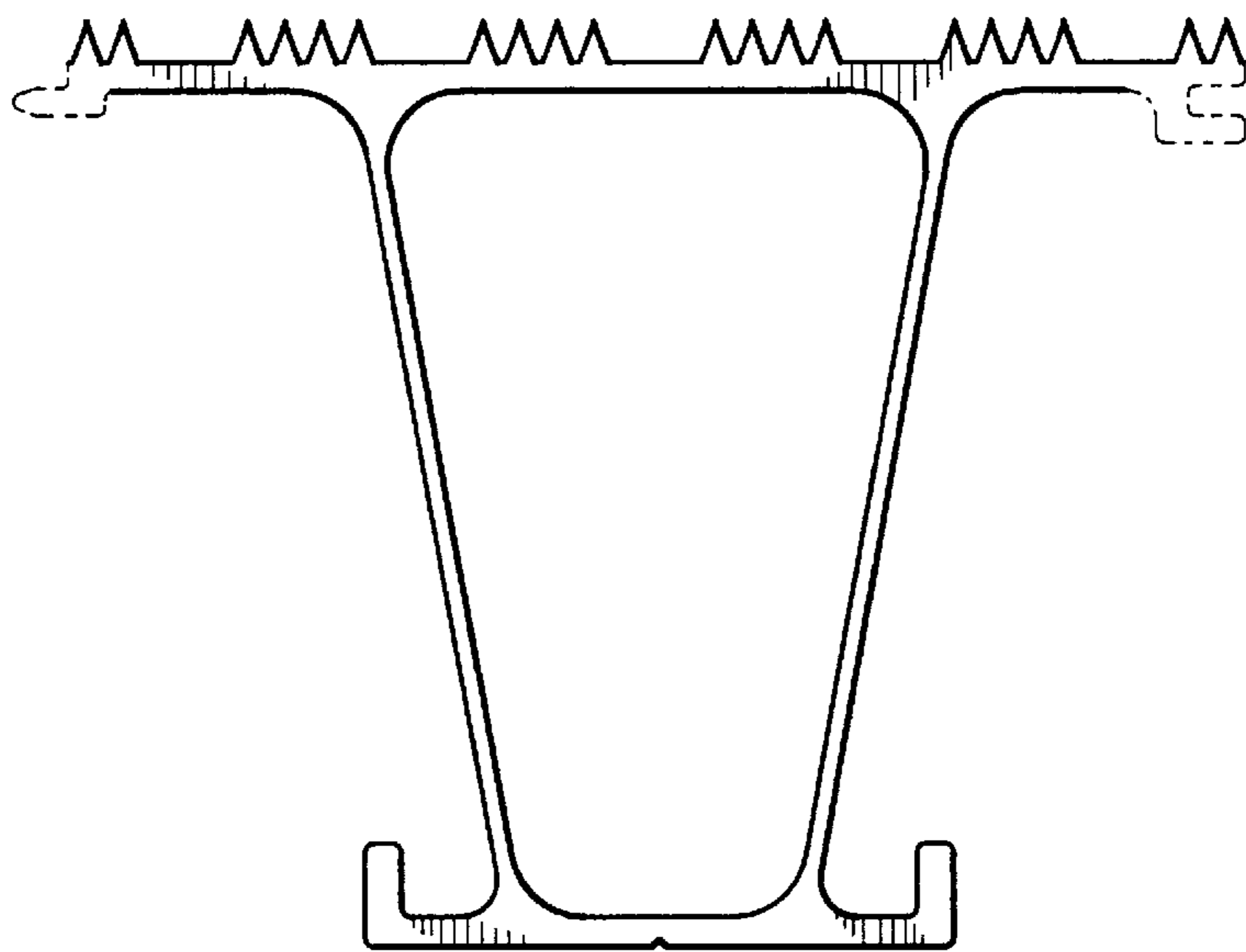


FIG. 10

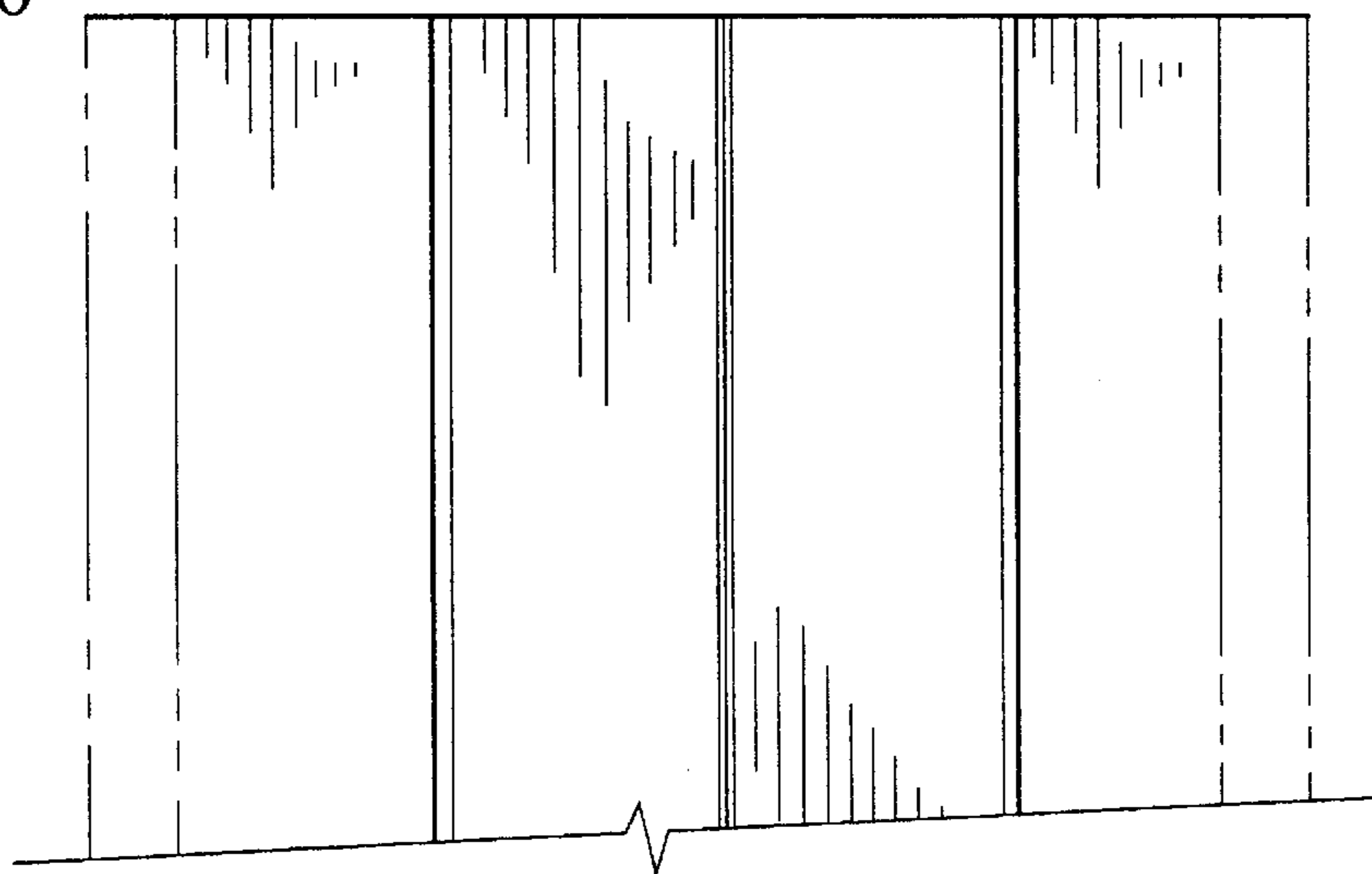


FIG. 11

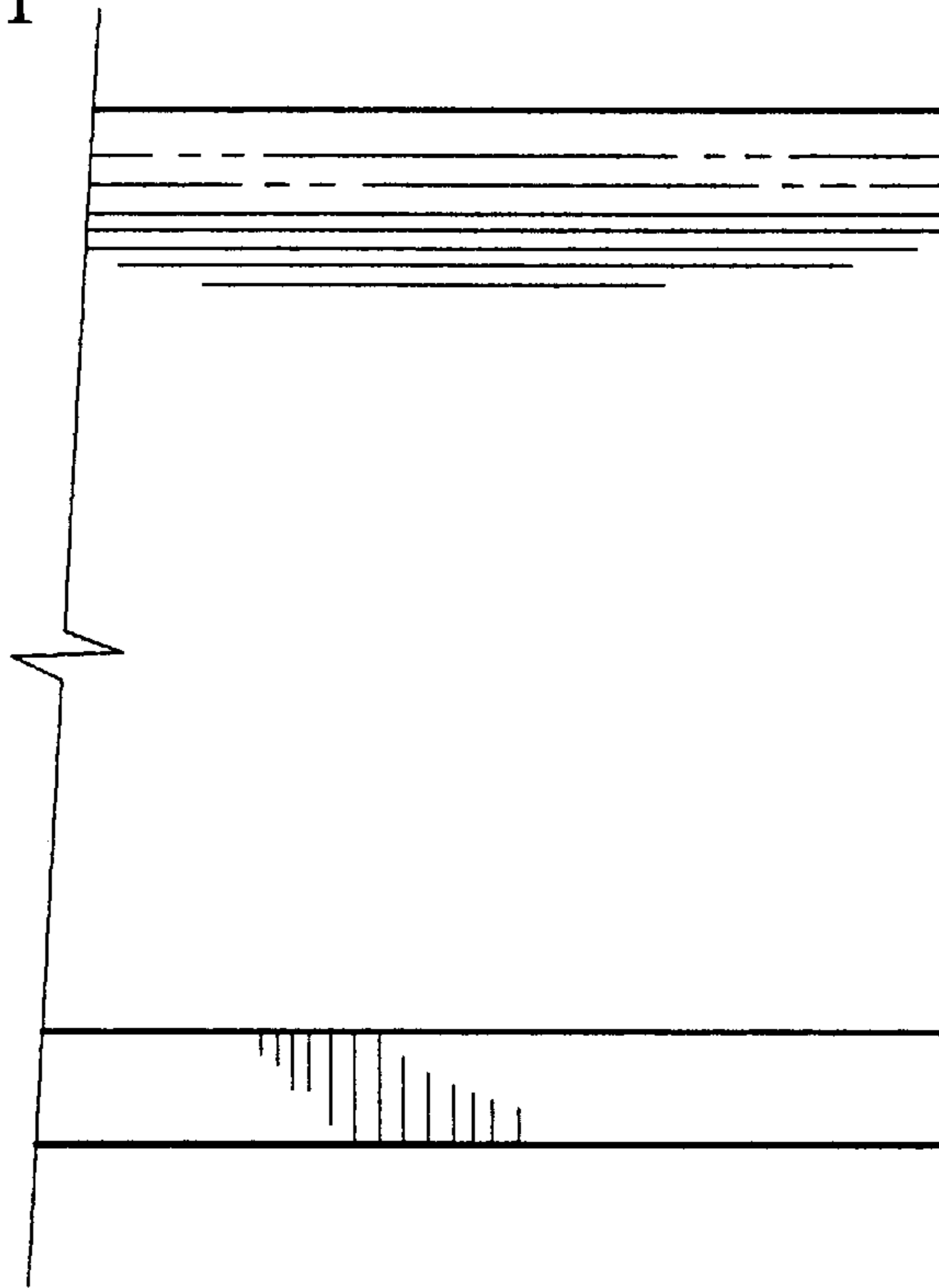


FIG. 12

